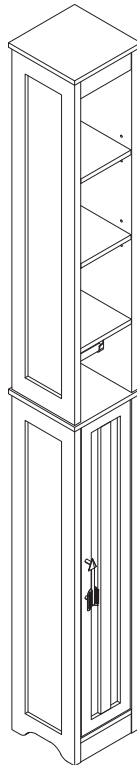


Installation & Assembly



Assembly Guide

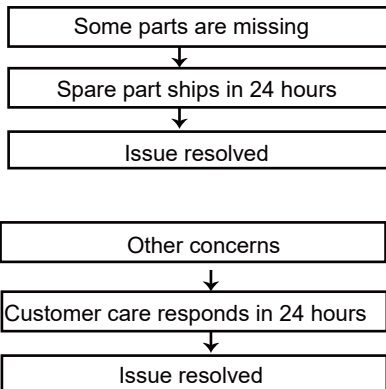
Tip!

Do check for all the components and screws listed in this guide before putting things together. If any part is missing, for the missing part.

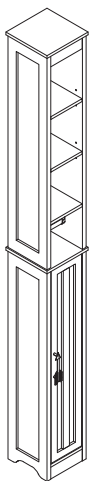
Return Policy

Your satisfaction is our top priority. If our product fails to satisfy you, please let us know how we can make things right for you. Our trained customer care team can handle most concerns and assist you with any questions you may have. Simply shoot them a message at with your orde rnumber and question. To be eligible for a full-refund return, the item must be in pristine condition, in the original packaging, with all of the shipped components intact and not yet assembled, and with the item's unique proof of purchase.

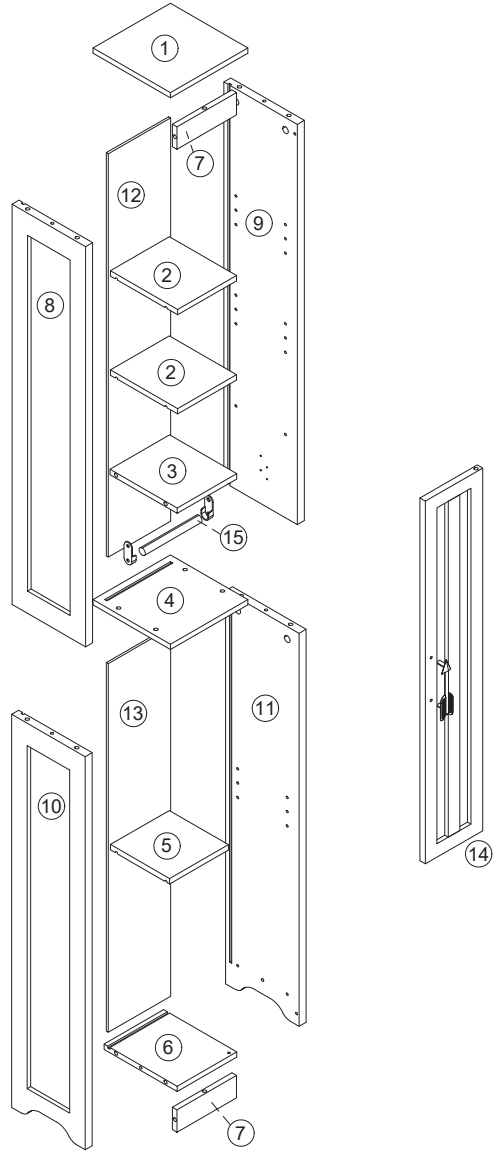
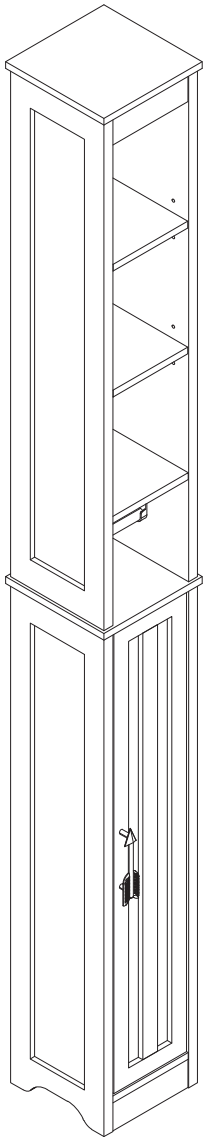
Trouble shooting:



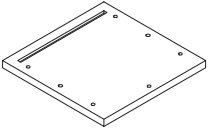
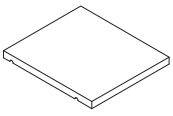
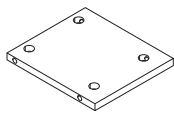
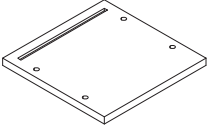
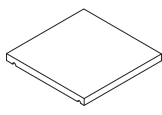
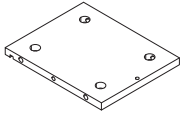
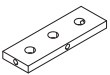
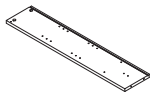
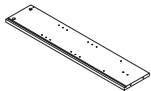

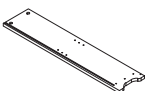

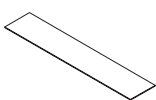
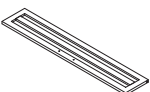
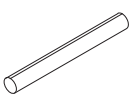
We run our own manufacturer, so rest assured about the quality consistency.




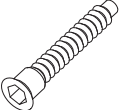

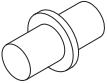

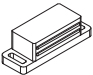
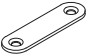



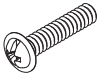
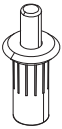

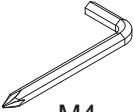


Item Description: Bathroom Cabinet



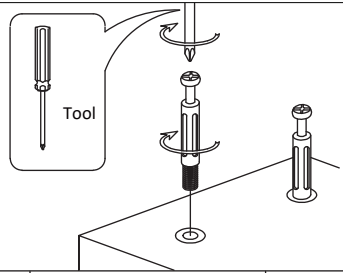
Components / Bauteile / Composants / Componenti / Componentes /

<p>1</p>	 <p>200x200x12mm</p>	<p>1</p>	<p>2</p>	 <p>152x173.5x12mm</p>	<p>2</p>
<p>3</p>	 <p>154x173.5x12mm</p>	<p>1</p>	<p>4</p>	 <p>200x200x12mm</p>	<p>1</p>
<p>5</p>	 <p>152x153x12mm</p>	<p>1</p>	<p>6</p>	 <p>154x189x12mm</p>	<p>1</p>
<p>7</p>	 <p>154x50x12mm</p>	<p>2</p>	<p>8</p>	 <p>896x190x18mm</p>	<p>1</p>
<p>9</p>	 <p>896x190x18mm</p>	<p>1</p>	<p>10</p>	 <p>880x190x18mm</p>	<p>1</p>
<p>11</p>	 <p>880x190x18mm</p>	<p>1</p>	<p>12</p>	 <p>903x161x5mm</p>	<p>1</p>
<p>13</p>	 <p>825x161x5mm</p>	<p>1</p>	<p>14</p>	 <p>812x148x14mm</p>	<p>1</p>
<p>15</p>	 <p>φ13*145mm</p>	<p>1</p>			

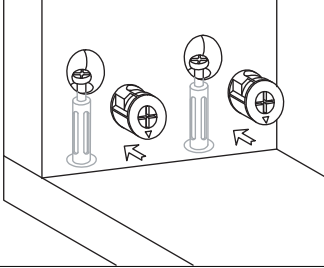
A	 $\text{Ø}6 \times 35 \text{mm}$	22pcs	B	 $\text{Ø}15 \times 10 \text{mm}$	22pcs
C	 $\text{Ø}6 \times 30 \text{mm}$	6pcs	D	 $\text{Ø}4 \times 35 \text{mm}$	4pcs
E	 $\text{Ø}3 \times 14 \text{mm}$	4pcs	F	 $\text{Ø}5 \times 16$	12pcs
G	 $\text{Ø}15 \text{mm}$	4pcs	H	 	1pc
I	 	1pc	J	 	2pcs
K	 	12pcs	L	 	1pc
M	 M4x18mm	2pcs	N	 	2pcs
O	 	2pcs	P	 M4	1pc

"A&B" Hardware Assembly example

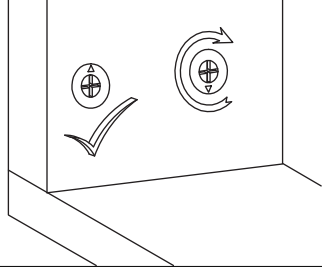
I



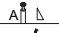

II




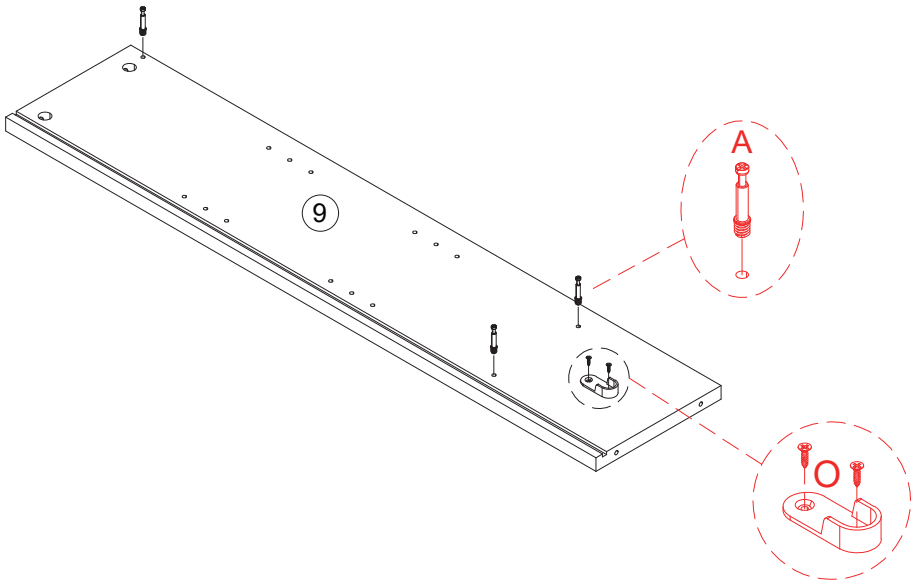
III



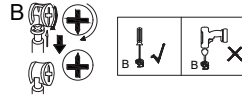
Step 1

	
✓	✗

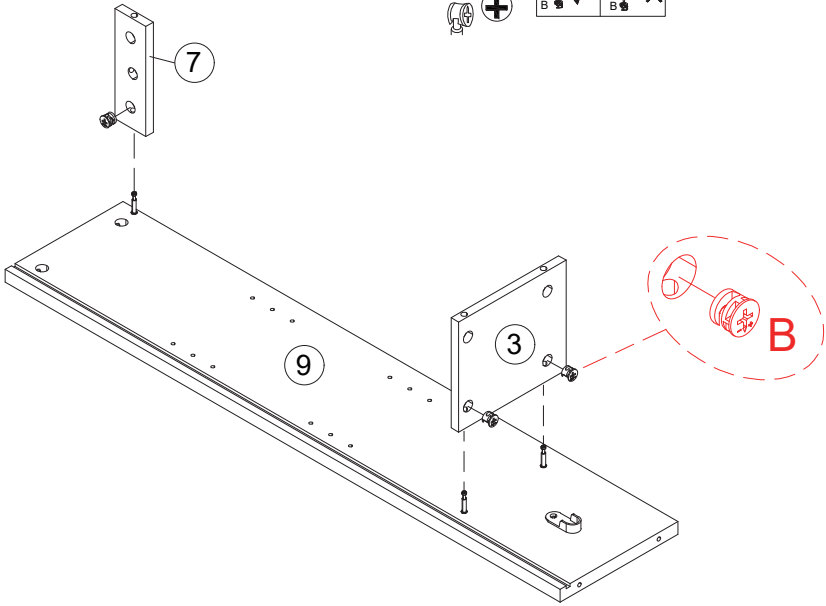
	Ax3
	Ox1



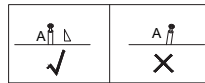
Step 2





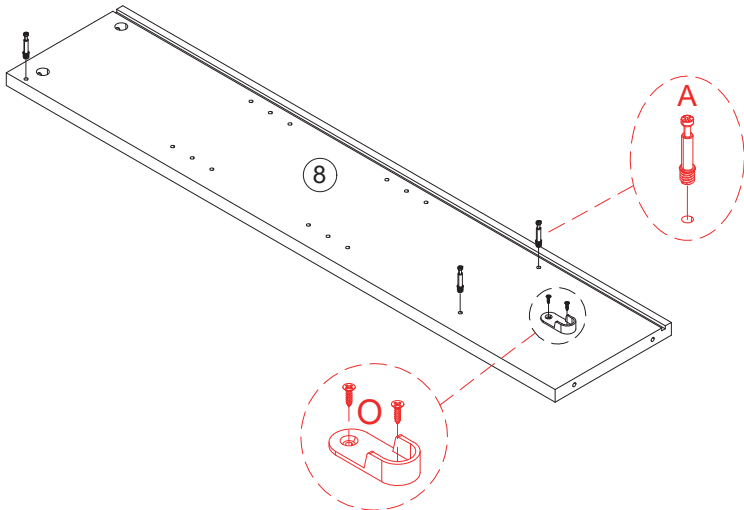
 Bx3



Step 3



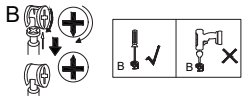
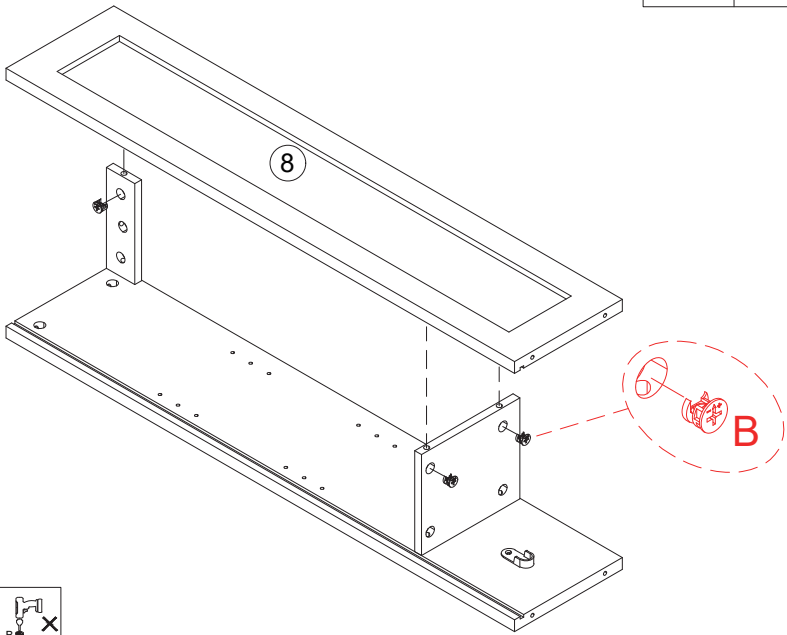
 Ax3
 Ox1



Step 4



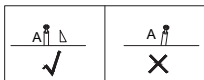
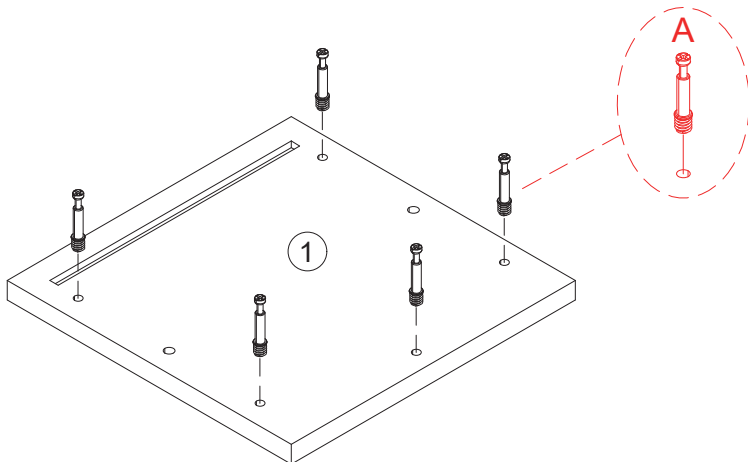
Bx3





Step 5

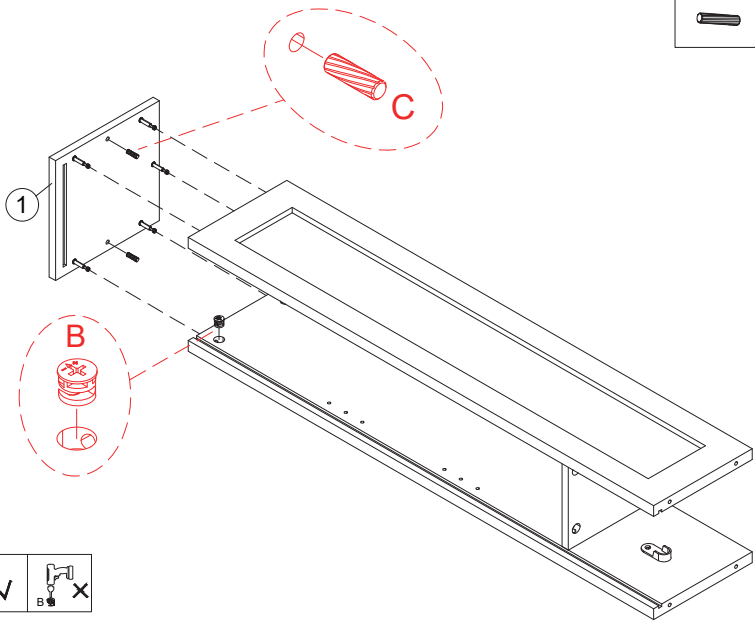


Ax5

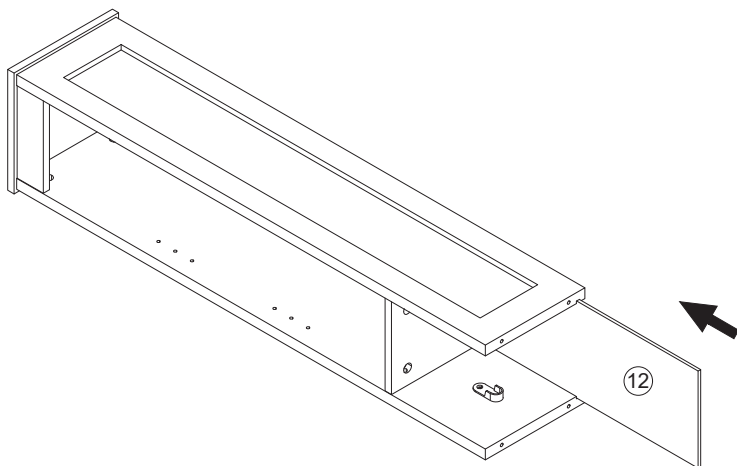


Step 6

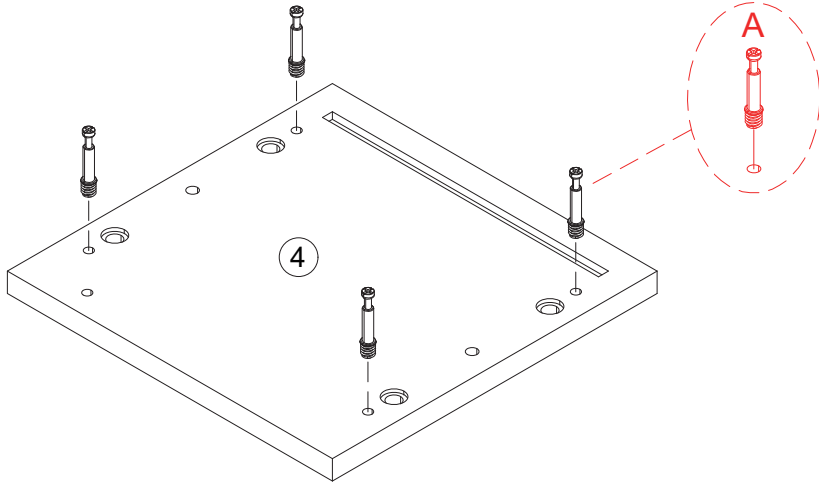
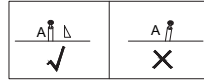
	Bx5
	Cx2



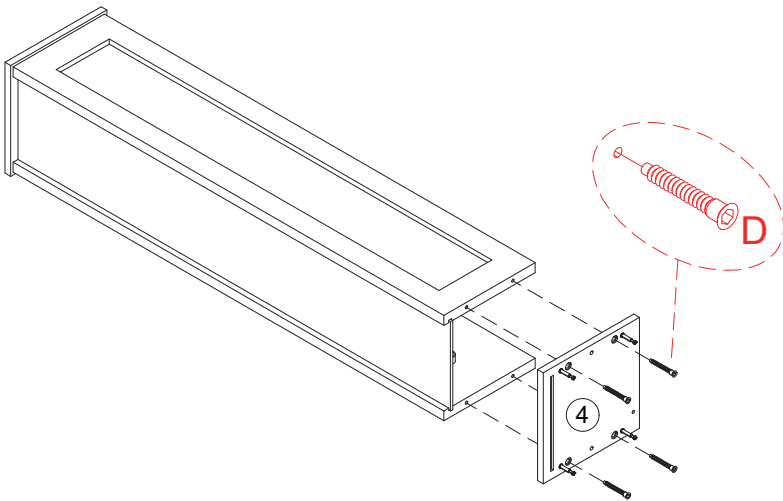
Step 7



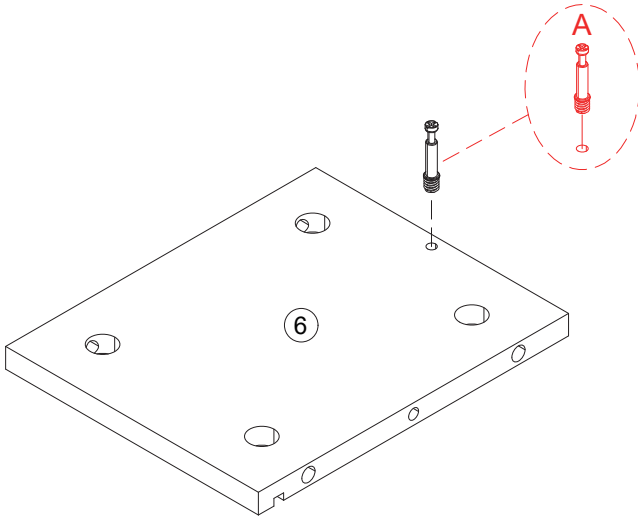
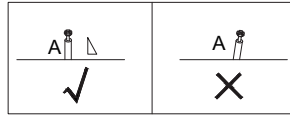
Step 8



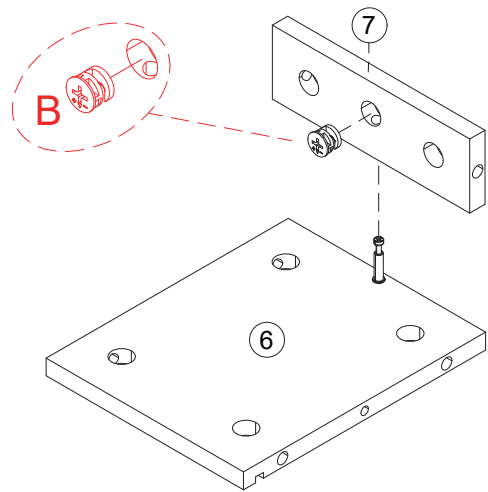
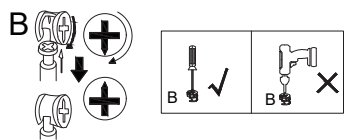
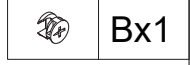
Step 9




Step 10

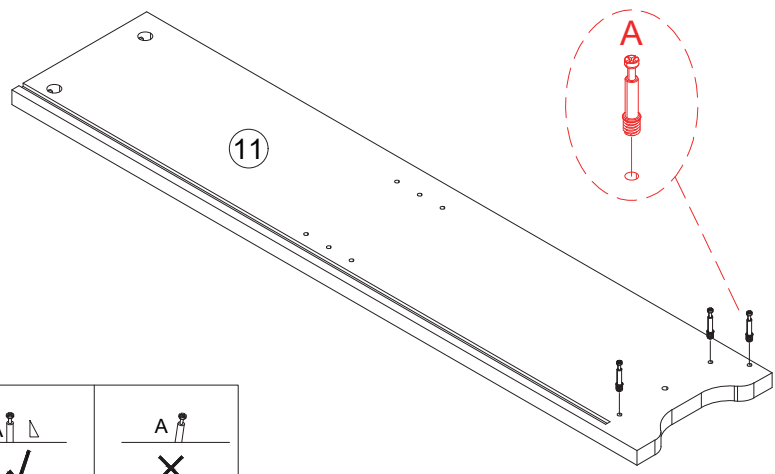






Step 11





Step 12

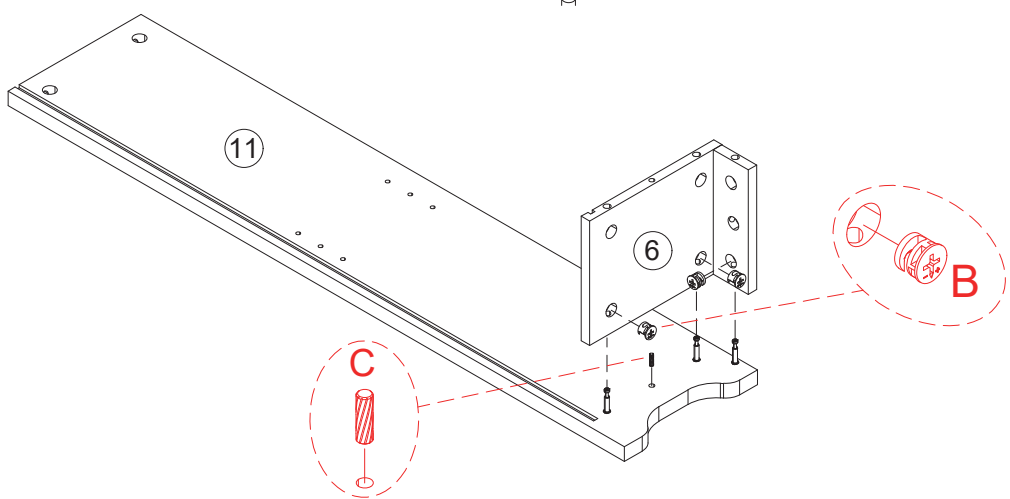
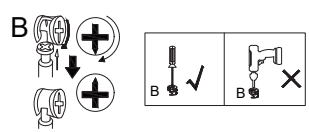
 Ax3



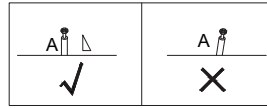
 	 
✓	✗

Step 13

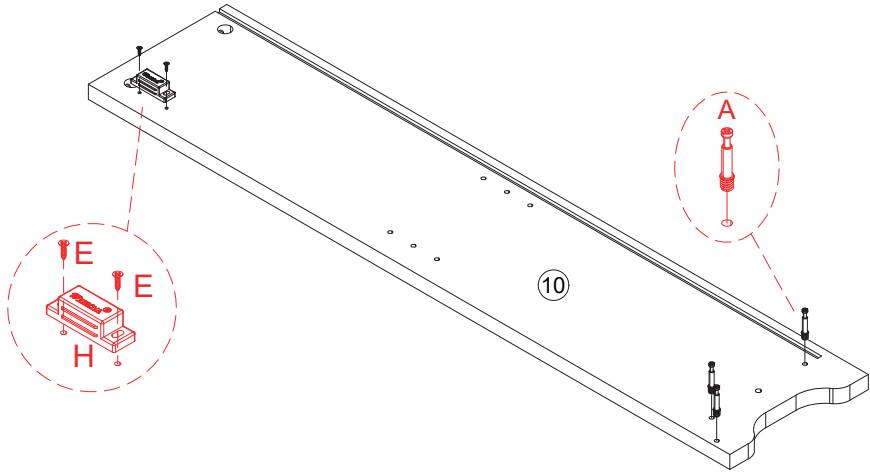
 Bx3
 Cx1



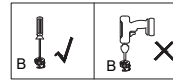
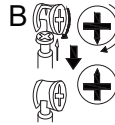
Step 14



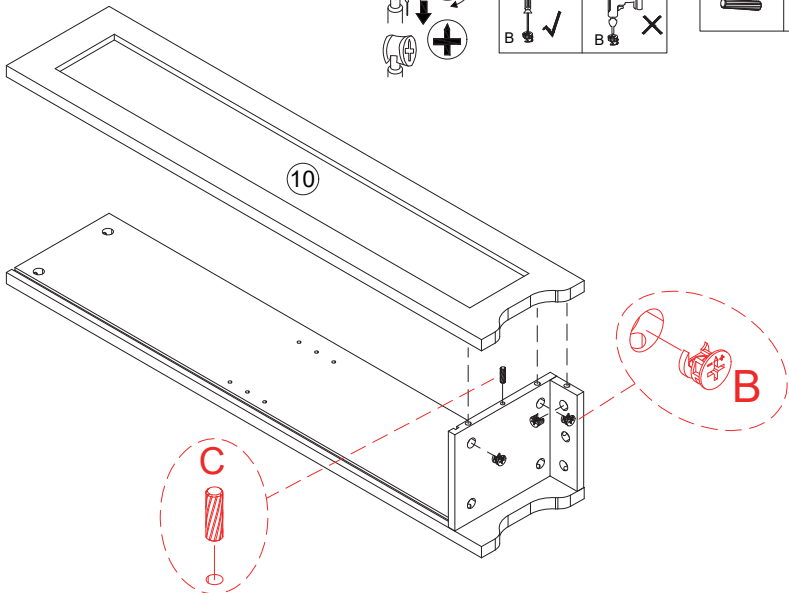
	Ax3
	Ex2
	Hx1



Step 15

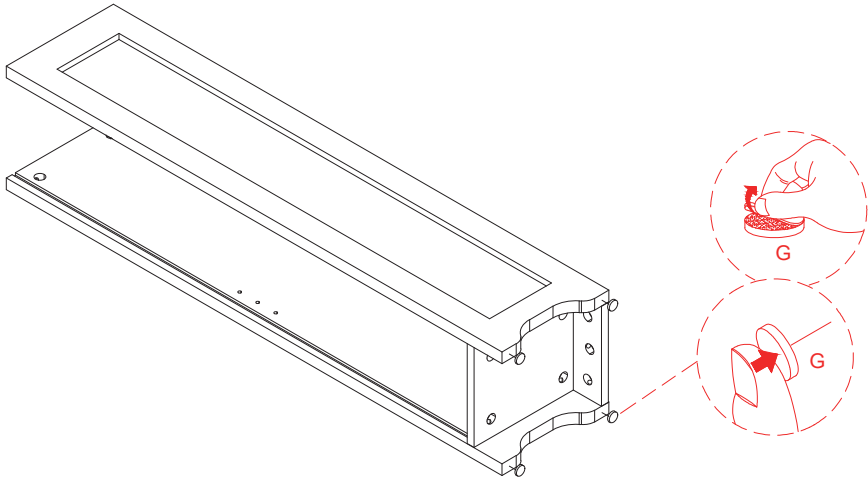


	Bx3
	Cx1

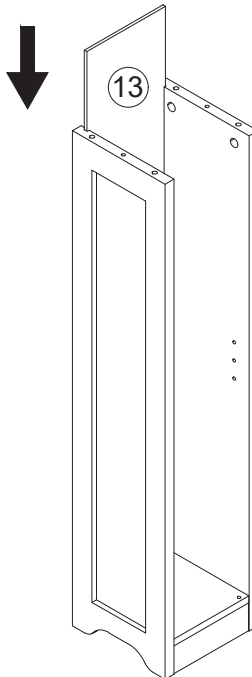


Step 16



 Gx4

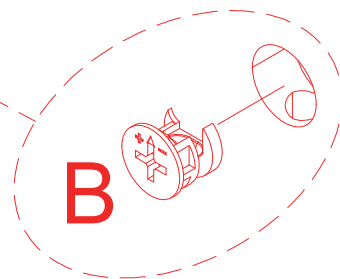
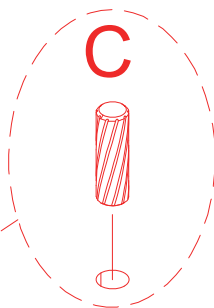
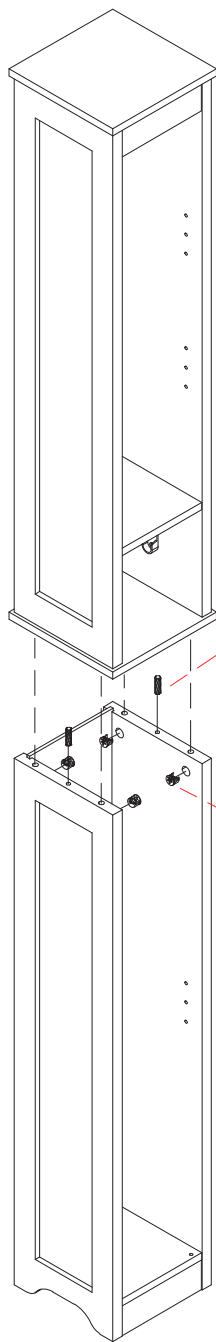


Step 17



Step 18

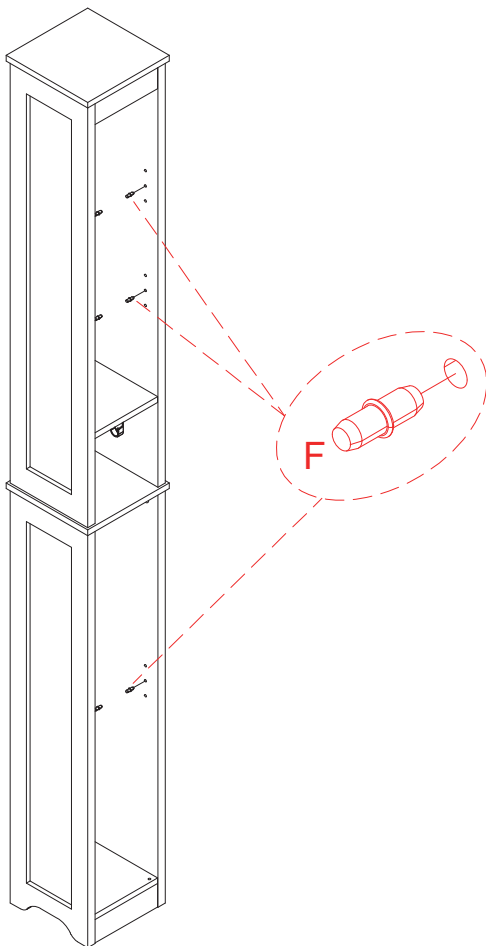
	Bx4
	Cx2



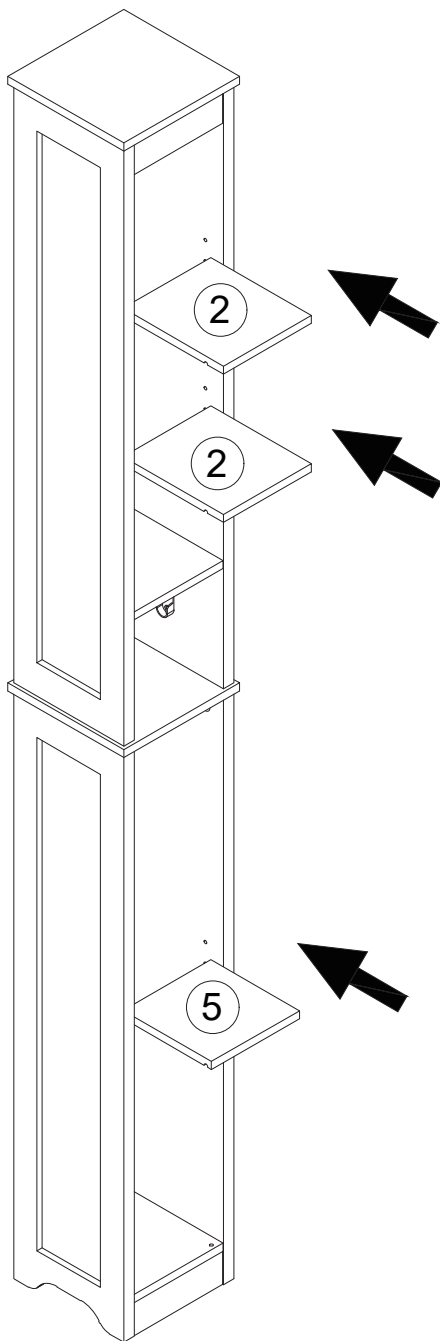
Step 19







Fx12

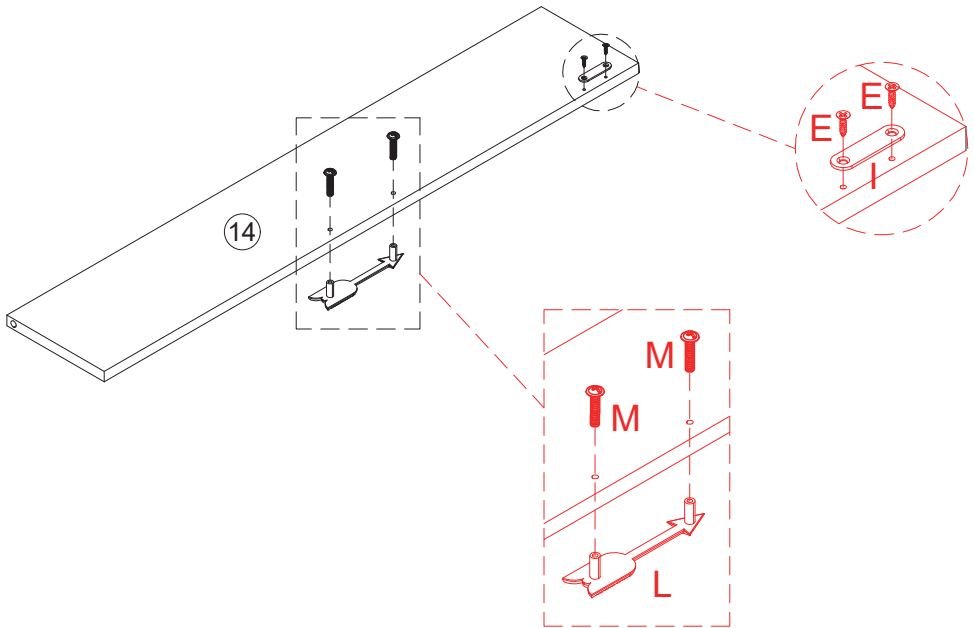


Step 20



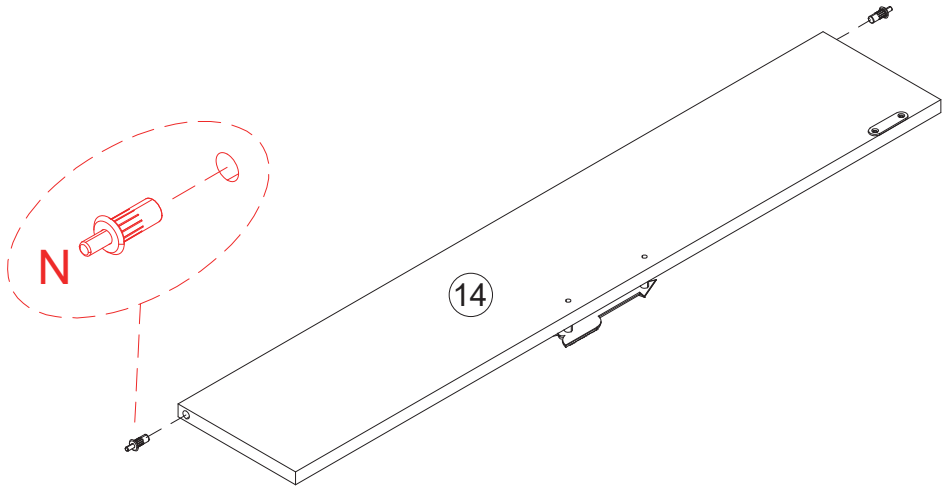
Step 21

	Ex2
	Ix1
	Lx1
	Mx2

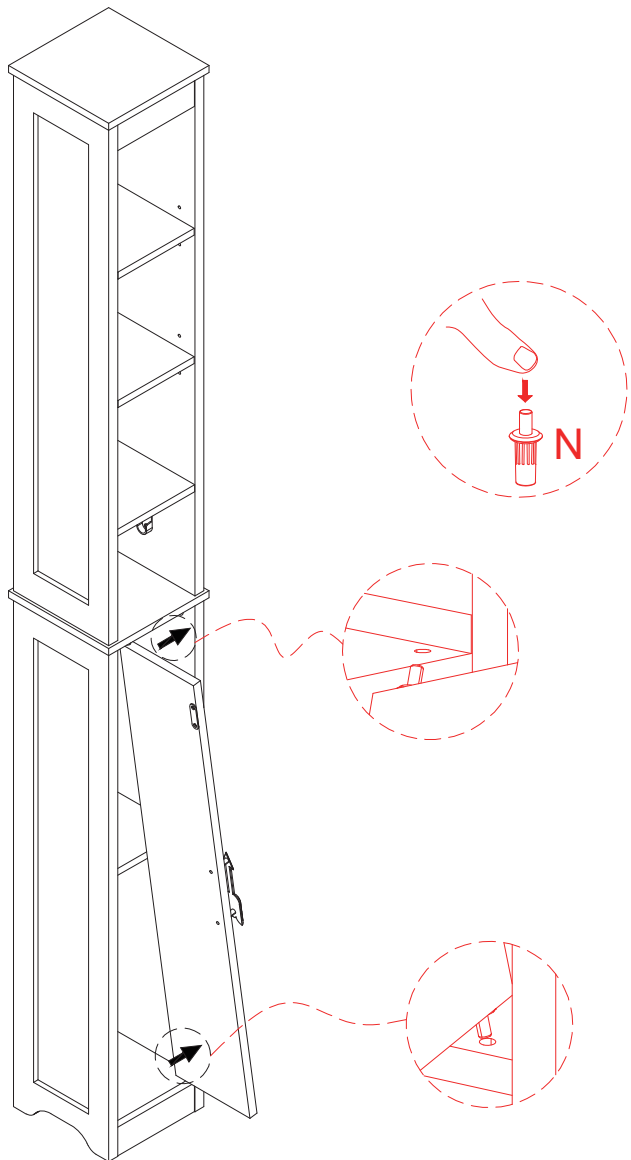




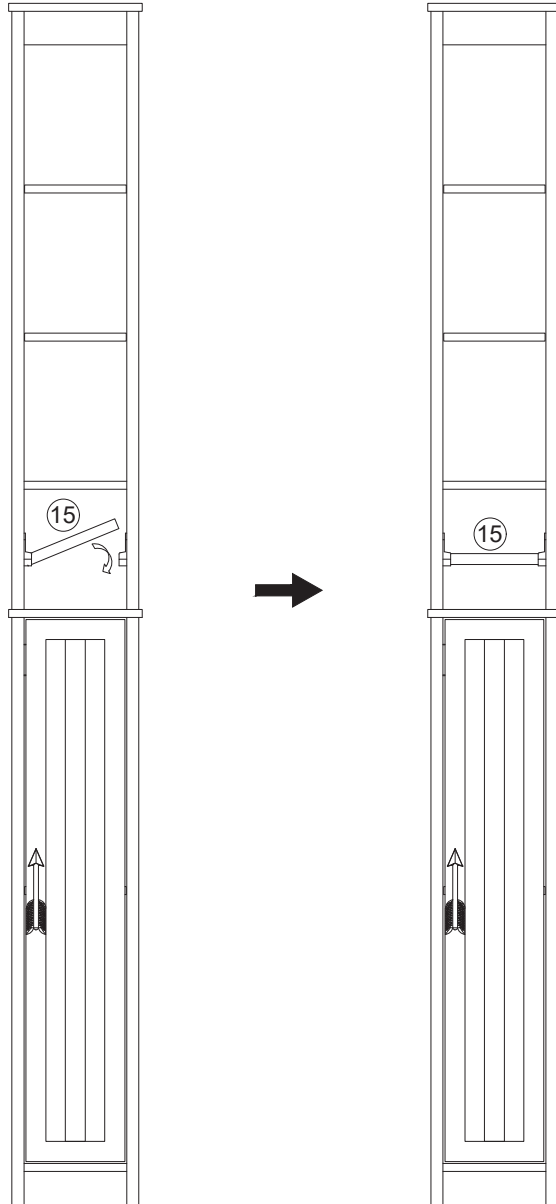
Step 22



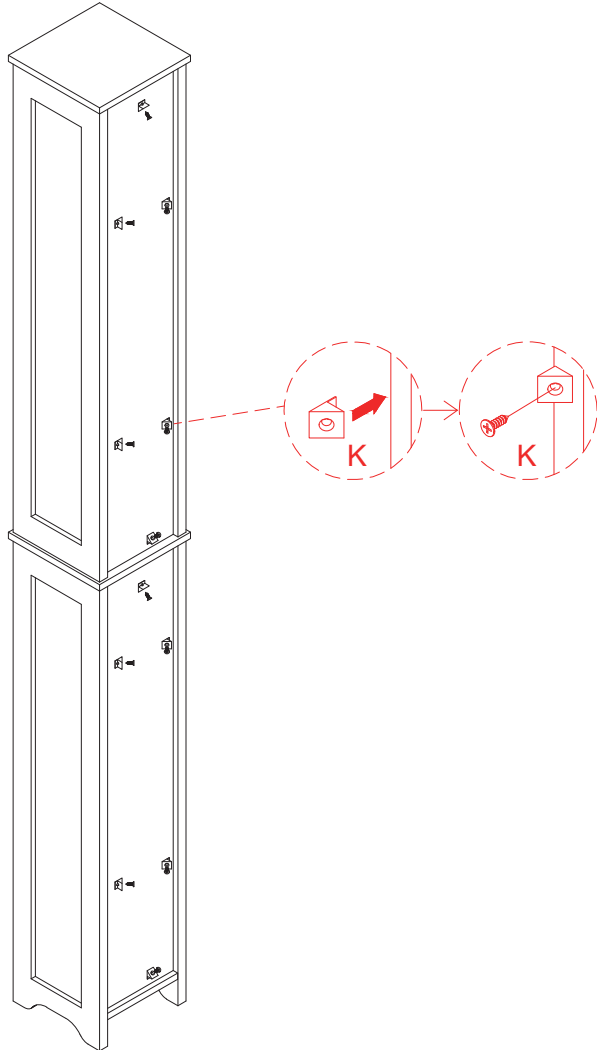
Step 23



Step 24



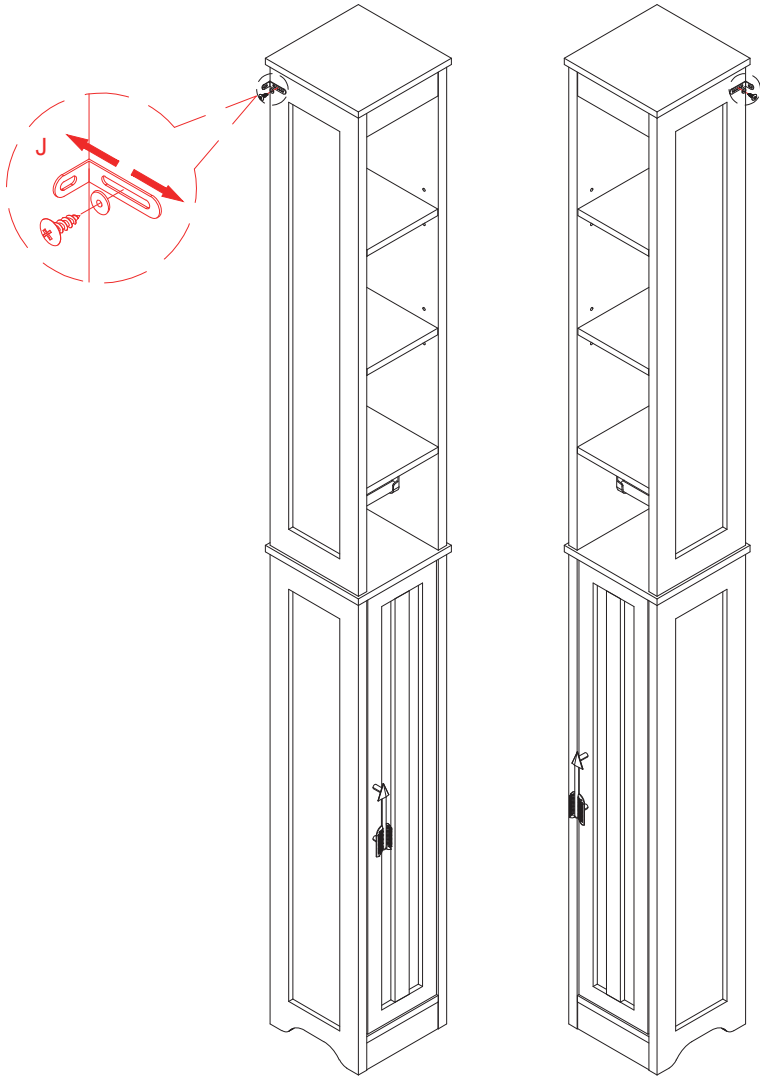
Step 25




Step 26



Jx2



Step 27

 	Jx2
---	------------

