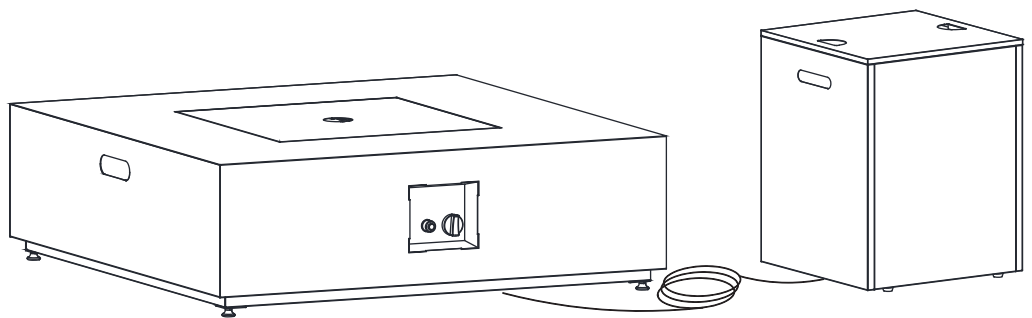


# USER INSTRUCTION MANUAL

## Outdoor Fire Pit Table



# TABLE OF CONTENTS

- Table of Contents.....2
- Warnings and Cautions.....3-5
- Tools and Parts.....6-15
- Lighting Operation .....16-18
- Maintenance and Storage .....19-20
- Troubleshooting.....21

## REMINDER

### Verify Parts:

Before beginning assembly, ensure all parts are included with your gas fire pit by referring to the Parts and Hardware List. For your convenience, some components may already be pre-assembled or attached to the heater parts.

### Assembly Tip:

During assembly, leave all hardware half-tightened until the gas fire pit is fully assembled. Once the unit is completely put together, proceed to tighten all hardware securely.

Please keep this Owner's Manual for future reference. It contains important instructions and procedures for safety and maintenance.

# WARNINGS AND CAUTIONS

Ensure you read these instructions prior to using the appliance. This appliance must be installed in compliance with applicable regulations and the instructions provided.

## CAUTION

**Installer:** Leave this manual with the user for future reference.

**Consumer:** Retain this manual for future use.

## DANGER

**IF YOU SMELL GAS:**

- Shut off the gas supply to the appliance.
- Extinguish any open flames.
- If the odor persists, stay away from the appliance and immediately contact your gas supplier or the fire department.

## DANGER

### **CARBON MONOXIDE HAZARD**

This appliance can produce carbon monoxide, which has no odor. Using it in an enclosed space can cause injury or death. Never use this appliance in an enclosed space such as a camper, tent or building.



## WARNING

Never leave the fire pit unattended while it is hot or in use.

Keep it out of reach of children.

## WARNING

Do not attempt to light this appliance without first reading the "Lighting Instructions" section of this manual.

Never store or use gasoline or other flammable liquids or vapors near this or any other appliance.

LP cylinders not connected for use must not be stored near this or any other appliance.

Failure to follow the instructions in this manual precisely may result in a fire or explosion, leading to property damage, personal injury, or death.

## WARNING

Fuels used in liquefied propane gas appliances, and the combustion byproducts of such fuels, can expose you to chemicals including benzene, which is known to the State of California to cause cancer, birth defects, or other reproductive harm.

For more information, visit:  
[www.P65Warnings.ca.gov](http://www.P65Warnings.ca.gov).

## WARNING

**FOR OUTDOOR USE ONLY!**



**WARNING: FUELS USED IN LIQUEFIED PROPANE GAS APPLIANCES, AND THE PRODUCTS OF COMBUSTION OF SUCH FUELS, CAN EXPOSE YOU TO CHEMICALS INCLUDING BENZENE, WHICH IS KNOWN TO THE STATE OF CALIFORNIA TO CAUSE CANCER AND CAUSE BIRTH DEFECTS OR OTHER REPRODUCTIVE HARM. For more information go to:**  
[www.P65Warnings.ca.gov](http://www.P65Warnings.ca.gov).

You must supply propane gas and a standard 20 lb. propane cylinder.

Only use this appliance with a propane vapor withdrawal supply system. Refer to Chapter 5 of the Standard for Storage and Handling of Liquefied Petroleum Gas (ANSI/NFPA 58).

This book is typically available at your local library or fire department.

The pressure regulator and hose assembly provided with this appliance must be used.

Installation must comply with local codes or, in the absence of local codes, with the National Fuel Gas Code (ANSI Z223.1).

A dented, rusted, or damaged propane cylinder can be hazardous and should be inspected by your cylinder supplier. Do not use a propane cylinder with a damaged valve connection.

The LP-gas supply cylinder must comply with the U.S. Department of Transportation (D.O.T.) Specifications for LP-Gas Cylinders or the Standard for Cylinders, Spheres, and Tubes for Transportation of Dangerous Goods and Commission, CAN/CSA-B339, as applicable.

The cylinder must include a connection device compatible with the appliance's connection system.

A protective collar must be present to safeguard the cylinder valve.

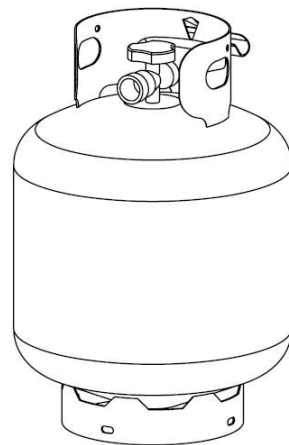
The LP-gas supply cylinder must be equipped with a listed overfill protection device (OPD).

Do not store a spare LP-gas cylinder beneath or near this appliance.

Never fill the cylinder beyond 80% of its total capacity.

This appliance is designed to use a CGA No. 791 QCC connection.

When the cylinder is not in use, always place the dust cap on the cylinder valve outlet. Using other types of caps or plugs may result in propane leakage.



Standard 20 lb. tank

Note: Gas supply pressure must be between 25 PSI and 250 PSI.

## PLEASE READ THE FOLLOWING SAFETY RULES

This appliance is not designed for use with solid fuels.

Installation must comply with local codes or, in the absence of local codes, adhere to the following standards:

National Fuel Gas Code (ANSI Z223.1/NFPA 54)

NFPA 58: Liquefied Petroleum Gas Code

CSA B149.1: Natural Gas and Propane Installation Code

B149.2: Propane Storage and Handling Code

When installed, the appliance must be electrically grounded in accordance with local codes or, if no local codes apply, follow:

National Electrical Code (ANSI/NFPA 70)

Canadian Electrical Code (CSA C22.1)

Before use, inspect for any damaged parts, including hoses, regulators, the pilot, or the burner.

Inspect the fuel supply and connections for signs of leakage (including the hose on LP models) before each use of the appliance. Perform all leak tests using a soapy solution.

**NEVER USE AN OPEN FLAME TO CHECK FOR LEAKS.**

Children and adults must be warned of the dangers associated with high surface temperatures. Maintain a safe distance to avoid burns or the risk of clothing ignition.

Always supervise young children when they are near the appliance.

Do not hang clothing or place any flammable materials on or near the appliance.

Any guard or protective device removed for servicing the appliance must be reinstalled before operating the appliance.

Installation and repairs should only be performed by a qualified service technician. The appliance should be inspected before each use and at least once annually by a qualified service technician.

Additional cleaning may be required as necessary. It is essential to keep the control compartment, burners, and circulating air passageways of the appliance clean.

Maintain a clear and clutter-free area around the appliance. Ensure it is free from combustible materials, gasoline, and other flammable vapors and liquids.

**DO NOT OBSTRUCT** the flow of combustion and ventilation air.

Ensure the ventilation openings of the cylinder enclosure remain free and clear of debris.

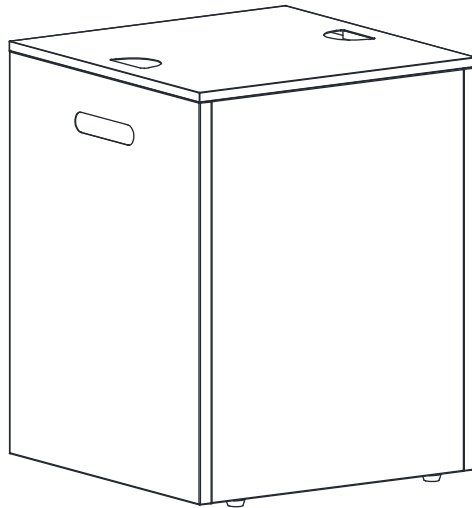
This appliance must only be used in a well-ventilated area and is not suitable for use in a building, garage, or any other enclosed space.

The appliance may be installed in a sheltered area provided that the shelter meets the following conditions:

- It has walls on all sides but no overhead cover.
- It is within a partial enclosure that includes an overhead cover and no more than two side walls. These side walls may either be parallel (e.g., in a breezeway) or positioned at right angles to each other.

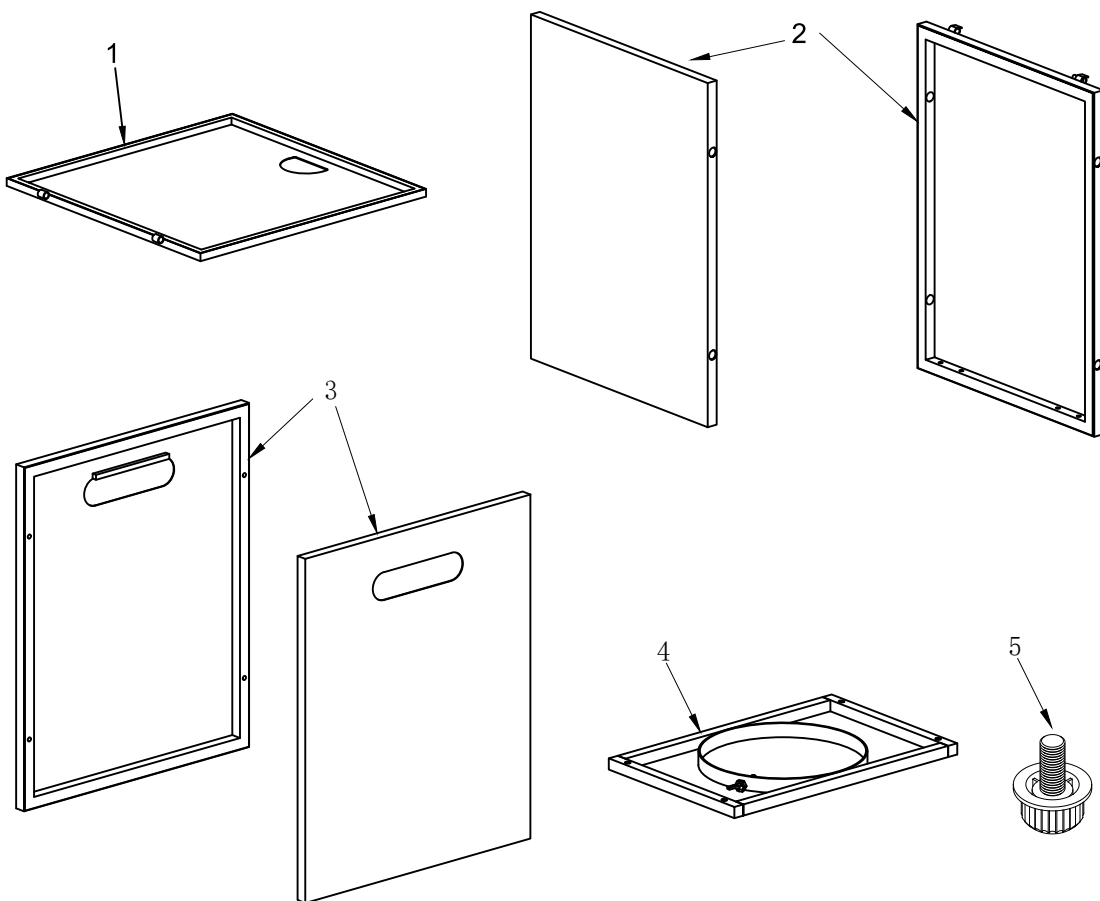
# Propane Tank Cover

## ASSEMBLY INSTRUCTION



### Main parts

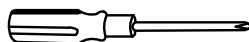
- 1. Top panel
- 2. Side panel (\*2)
- 3. Side panel (\*2)
- 4. Metal stand
- 5. Adjustable table feet (\*4)
- AA. M6\*25 screw (\*12)
- CC. Screwdriver

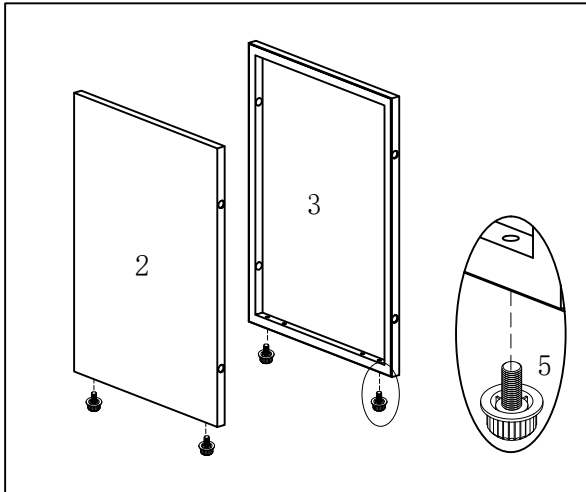


AA



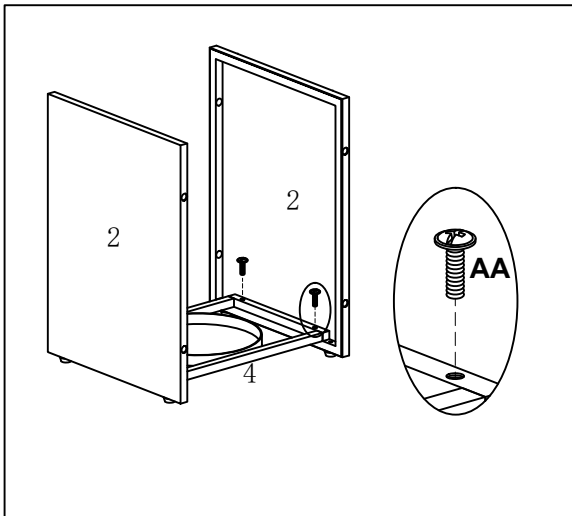
CC





### Attaching the adjustable feet

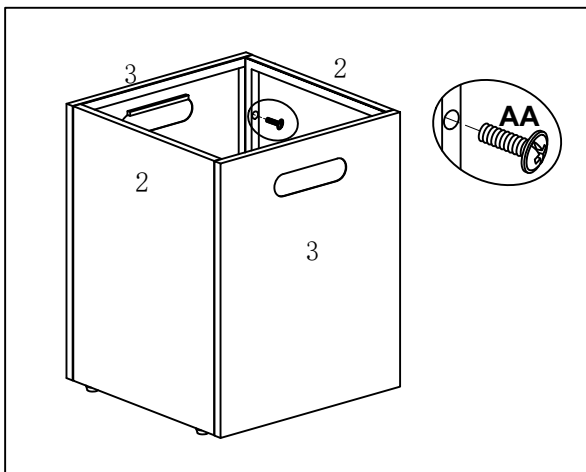
1. Attach the 4 pcs adjustable feet (5) to the side panel (2).



### Attaching the metal stand

2. Attach the metal stand (4) to the side panel (2) using 4 pcs M6\*25 screws (AA).

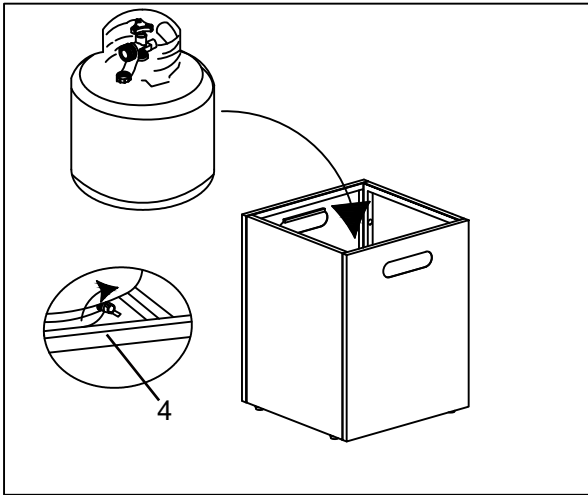
Note: Don't tighten screws completely at this step.



### Attaching the side panel, front panel and back panel

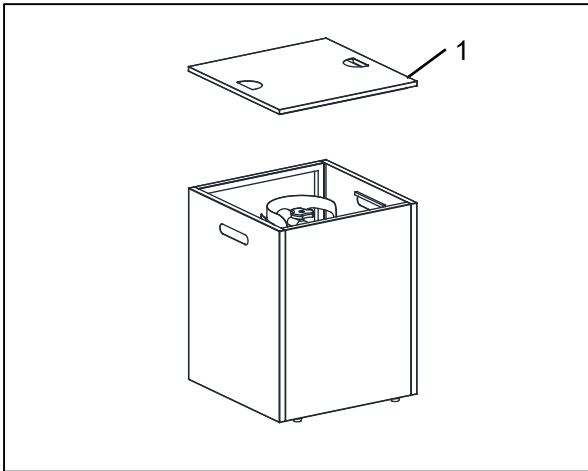
3. Attach the side panel (3) to the side panel(2) using 8 pcs M6 \*25 screws (AA).

Note: Tighten all screws completely.



**Attaching the top panel**

4. Place propane gas tank (not included) into the metal stand (4) .Make sure the gas tank sits on the metal stand completely.

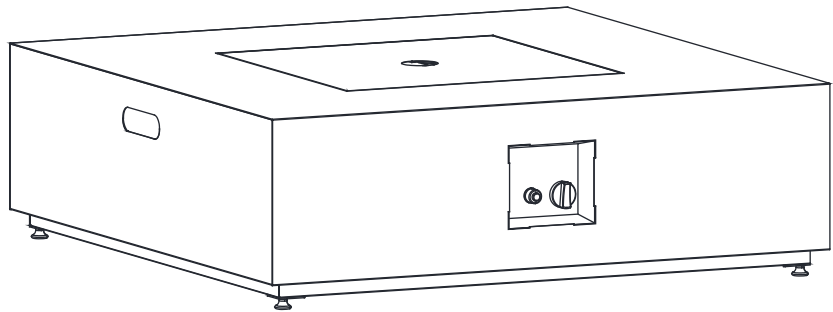


**Place propane gas tank**

5. Put on the Top Panel (1) to the gas tank.

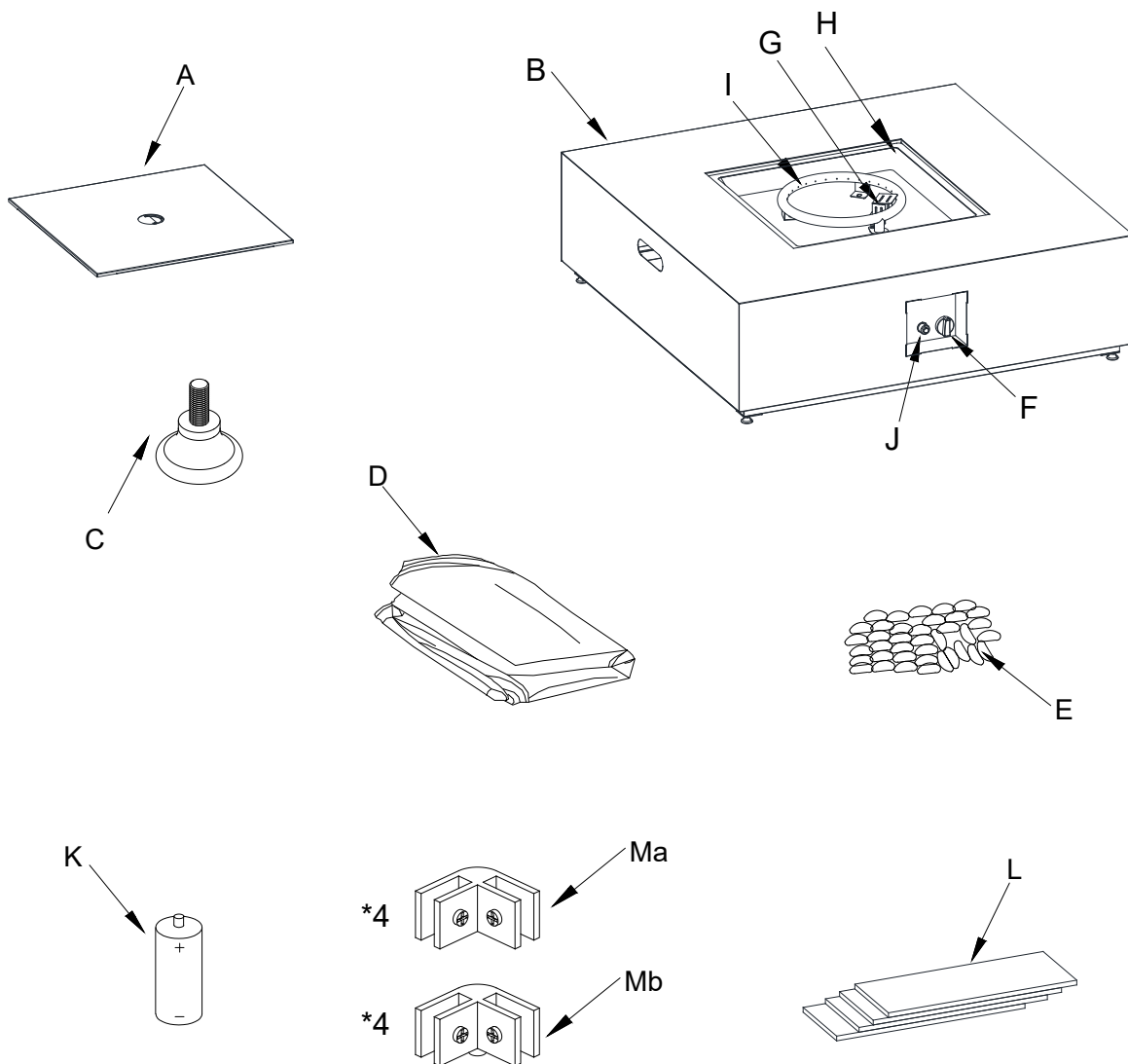
# Outdoor Fire Pit Table

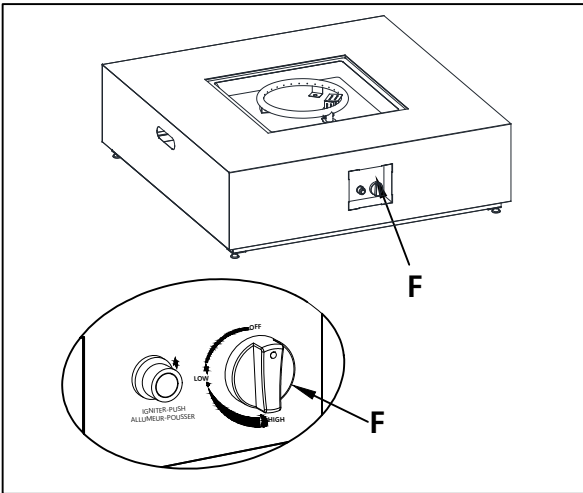
## ASSEMBLY INSTRUCTION



Main parts

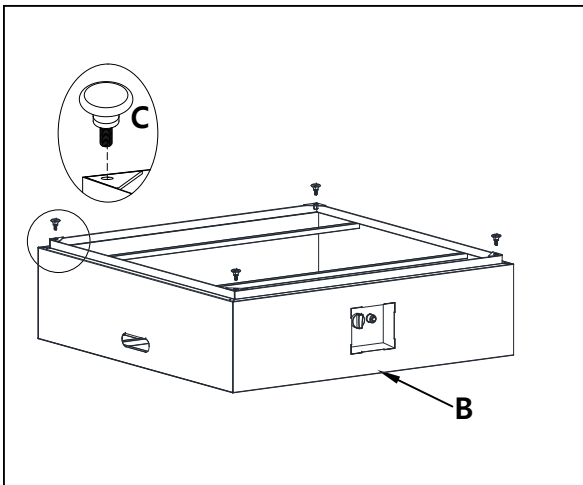
- A. Table lid
- B. Integrated fire pit table
- C. Adjustable table feet (\*4)
- D. Protective cover
- E. Glass stone (4 kg)
- F. Control knob (preassembled)
- G. Fire pit wind guard (preassembled)
- H. Fire bowl (preassembled)
- I. Burner (preassembled)
- J. Electronic igniter (preassembled)
- K. Battery (AA) (\*1)
- L. Wind guard glass
- Ma. Glass brackets (\*4)
- Mb. Glass brackets (\*4)





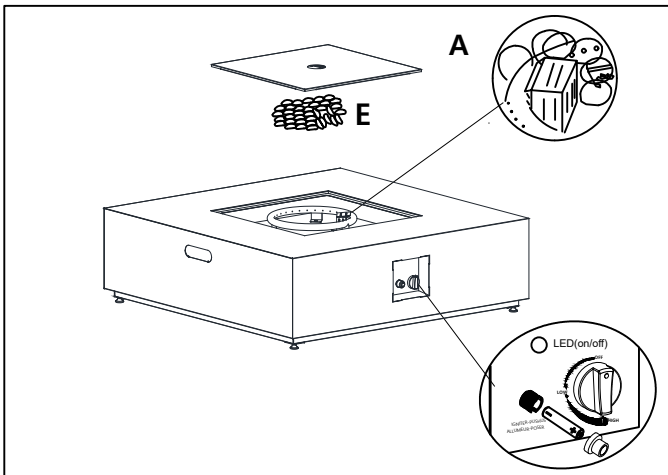
**Checking the gas control**

1. Check that the control knob (F) for the gas supply system is turned to the "OFF" position before starting any assembly.



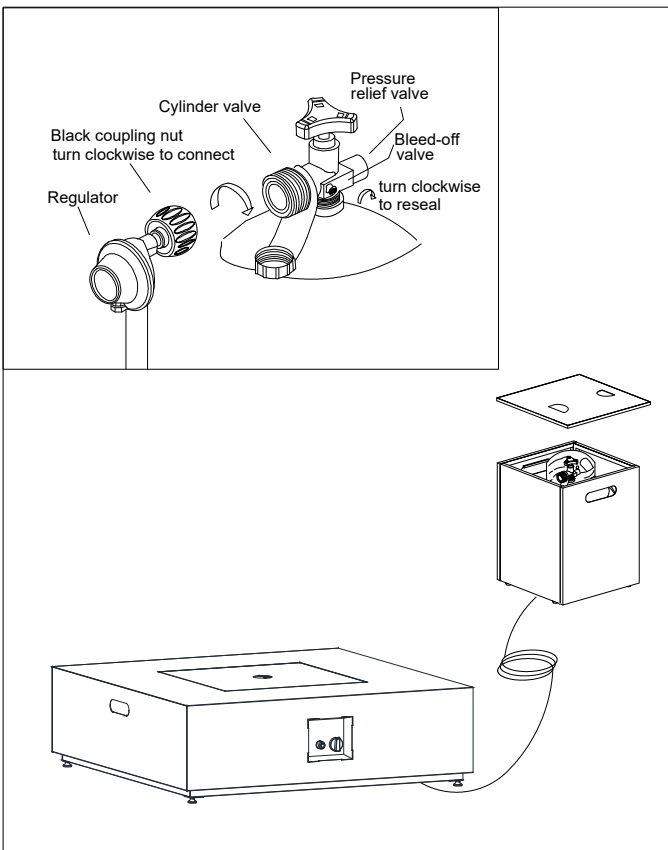
**Attaching the adjustable feet**

2. Attach the 4 pcs adjustable feet (C) to the integrated fire pit table (B).



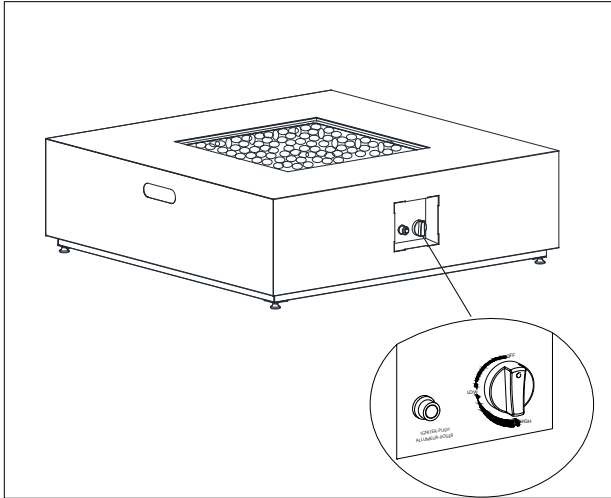
### Putting the glass stone and AA battery.

Placing the glass stone and AA battery  
 3. Open the igniter cover and insert the AA battery (K) into it, then securely tighten the igniter cover.  
 Pour the glass stone (E) around the burner, ensuring they are not placed on the ignition portion of the burner.  
 Place the lid (A) over the fire bowl. The lid must be removed when the burner is in operation.  
 Wait until the unit has completely cooled before replacing the lid.



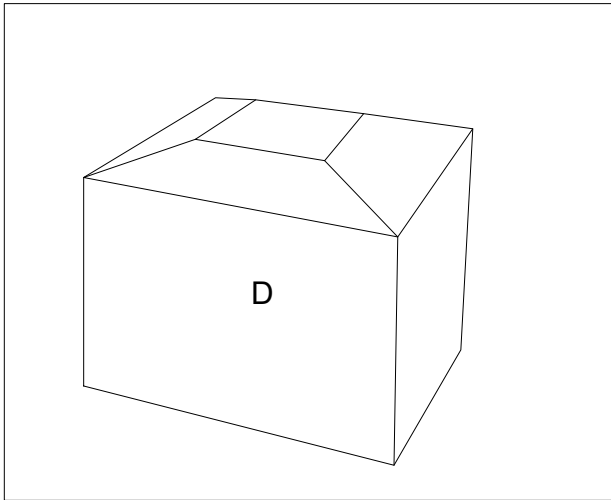
### Attaching the regulator

4. Turn the cylinder valve on the tank clockwise to close the propane tank.  
 Attach the preassembled regulator from the integrated fire pit table (B) to the cylinder valve by turning the regulator coupling nut clockwise. Ensure the regulator is securely fastened and tighten the connections by hand only.  
 Finally, fix the gas hose to the bracket inside the front panel.



### Rotary button control mode

5. Adjust flame to desired flame with the control knob. To adjust from "OFF" to "LOW", the igniter button needs to be fully pressed then turn the control knob anticlockwise. But switch from "LOW" to "HIGH", loosen igniter button completely and then turn the control knob anticlockwise



### Placing the protective cover.

6. When the fire pit table is not used outside, it should be covered with a protective cover (D) to prevent the product from oxidization caused by exposure to sun and rain.

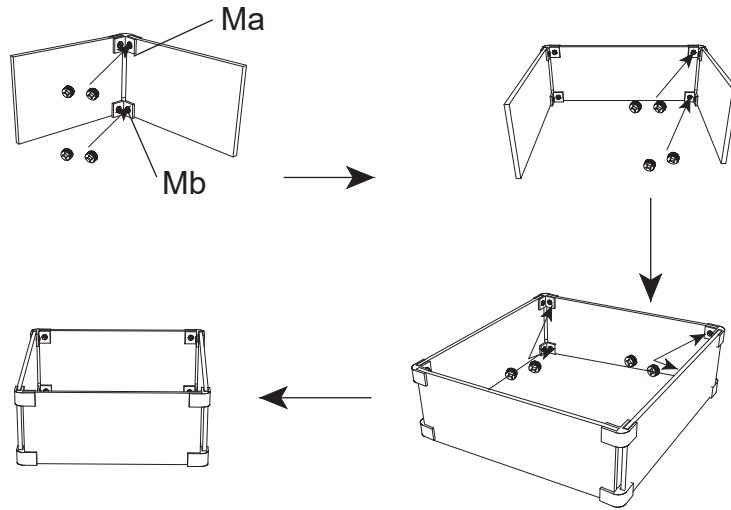
# Wind Guard Glass Assembly

## 1 Assembling the glass

First, unscrew all the preassembled screws on the glass brackets.

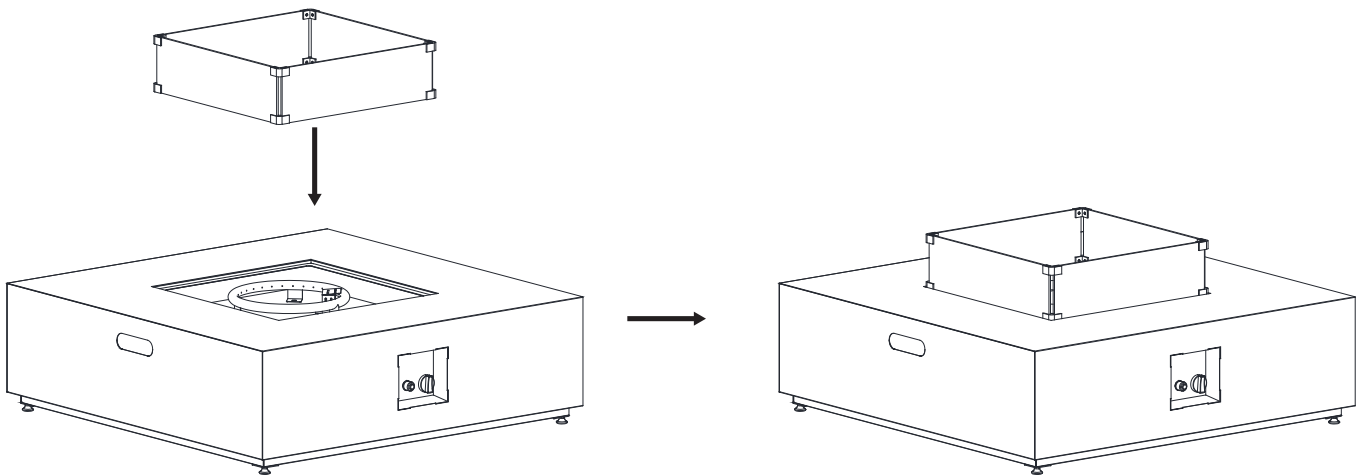
Next, attach one glass panel to another, and repeat this step for the remaining two glass panels.

Then, assemble the two glass panel pieces together using the final glass brackets, as shown below.



## 2 Inserting the glass

Insert the glass assembly created in Step 1 into the ridge on top of the fire table body.

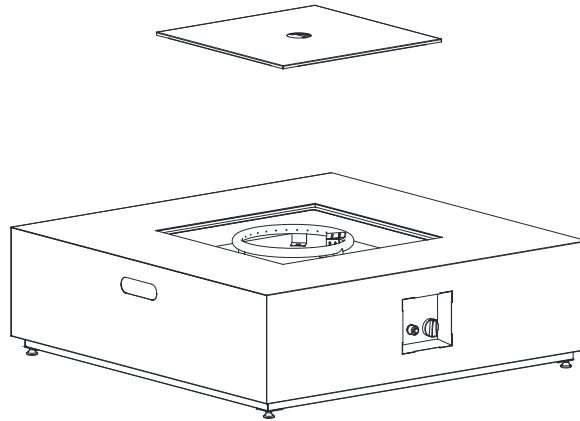


# PARTS LIST

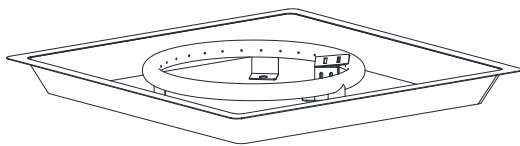
## NO. DESCRIPTION

1. Fire pit
2. Burner pan assembly (natural gas or propane)
3. Control knob assembly

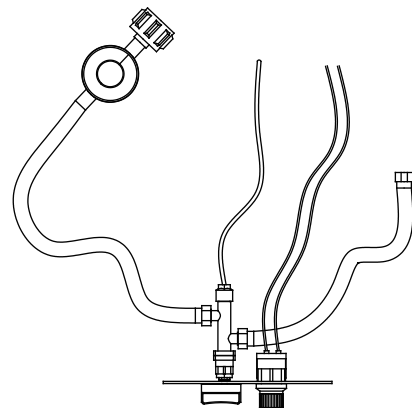
### 1. Fire pit




### 2. Burner pan assembly (natural gas or propane)



### 3. Control knob assembly



# OPERATION

 **WARNING:** This appliance should only be used for its intended purpose. Do not use it for cooking or food preparation.

Initial Lighting:

When lit for the first time, the appliance may emit a slight odor. This is a normal, temporary condition caused by the "burn-in" of the internal paints and lubricants used during the manufacturing process, and it will not occur again. To complete the process, turn on the main burner to the "high" position and let it burn for approximately 30 minutes.

 **WARNING:**

- Children and adults should be alerted to the hazards of high surface temperatures and should stay away from the appliance to avoid burns or clothing ignition.
- Children should be carefully supervised when they are in the area of the appliance.
- Clothing or other flammable materials should not be hung from the appliance or placed on or near it. The area above the enclosure may become extremely hot. Direct contact with these surfaces should be avoided to prevent burns or clothing ignition.
- Any guards or protective devices removed for servicing the appliance must be replaced before operating the appliance.
- Installation and maintenance should be performed by a qualified service technician.
- The appliance should be inspected before each use and at least annually by a qualified service technician. More frequent cleaning may be required as necessary. It is essential that the control compartment, burners, and circulating air passageways remain clean.

 **WARNING:**

- Never use the appliance while it is raining. Always turn the appliance off when raining.
- Never use the appliance if the burner is damaged. Inspect the burner before each use.
- Ensure that no debris such as leaves; grass or other objects have entered or are on the appliance. If the burner is damaged, it must be replaced with the manufacturer's specified burner before using the equipment.
- Inspect the hose assembly before each use. If there is evidence of excessive abrasion or wear, or if the hose is damaged it must be replaced prior to using the appliance with a replacement hose assembly specified by your manufacturer.

 **WARNING:**

**WARNING:** Any modification to the appliance may compromise its safety. Special considerations include:

Do not bypass the thermocouple safety mechanism.

Do not operate the appliance if any parts have been submerged in water. Immediately contact a qualified service technician to inspect the equipment and replace any flooded control systems and gas control components.

## Lighting Instructions

1. Press and hold the electronic igniter button.
2. Turn the burner control to the "Low" position and press it in. When the burner lights, release the electronic igniter button.
3. Continue to hold the burner control knob for 30 seconds, then release it. If the flame goes out, repeat the procedure.
4. Adjust the flame height to your desired level using the burner control knob.
5. If the burner does not light with the electronic igniter, use a long match or a lit butane lighter to ignite the burner at the ignition area and then proceed with step 2.
6. To turn off the burner, turn the burner control knob clockwise to the "Off" position. Then, turn off the gas at the source (propane cylinder valve or natural gas supply valve).



### WARNING

Keep your face and body away from the burner area when lighting. Ensure that the burner controls are in the "Off" position before proceeding. Slowly turn on the gas supply valve.



### WARNING

The propane cylinder is equipped with an overfill protection device. Unless the burners are turned off before turning on the cylinder, only small flames and low heat will be achievable.



### WARNING

If the burner does not light within 10 seconds, turn the valve off and wait 5 minutes for any gas to dissipate before repeating the procedure.

# MAINTENANCE AND STORAGE

## MAINTENANCE:

To ensure years of reliable performance from your appliance, regularly perform the following maintenance:

At least once a year, inspect the unit for spiders, cobwebs, or other insects.

- Ensure that air flow is unobstructed. Keep controls, the burner, and air passageways clean. Signs of potential blockage include:

Gas odor with extremely tilted yellow flames.

Appliance fails to reach the desired heat.

- Excessive unevenness in heat distribution.

- Popping sounds when heating.

- Spiders and insects may nest in the burner or orifices, creating a dangerous condition that can damage the appliance and make it unsafe for use. Clean the burner holes with a liquid clog remover. Compressed air can help remove smaller particles.

- Carbon deposits can pose a fire hazard. If carbon deposits develop, clean the reflector, thermocouple, and emitter screen with a dry cloth.

- Although the burner is made of stainless steel, extreme heat and a corrosive environment can lead to surface corrosion. Inspect the burner at least annually for cracks, insect nests, excessive corrosion, or other damage. If the burner is damaged, replace it with a manufacturer-specified burner before using the appliance.

Between uses:

- Turn the control knob to the "OFF" position.
- Disconnect the LP source.
- Store the appliance upright in a sheltered area, protected from direct exposure to inclement weather (rain, sleet, hail, snow, and dust).
- Cover the appliance to protect exterior surfaces and help prevent debris buildup in air passages.

NOTE: Wait until the appliance has cooled down before covering it.

During extended inactivity or when transporting:

- Turn the control knob to the "OFF" position.
- Disconnect the LP source and move the appliance to a secure, well-ventilated outdoor location. DO NOT store in an area that exceeds 125°F.
- Store the appliance upright in a sheltered area, protected from direct exposure to inclement weather (rain, sleet, hail, snow, and dust).
- Cover the appliance to protect exterior surfaces and help prevent debris buildup in air passages.

NOTE: Wait until the appliance has cooled down before covering it.

# TROUBLESHOOTING

PROBLEM	PROBABLE CAUSE	SOLUTION
Low heat/low flame when the valve is turned to High.	Incorrect lighting operation.	Ensure the lighting procedure is followed carefully. The valve must be in the "OFF" position when turning on the tank valve. Turn the tank valve on slowly to allow the pressure to equalize. Refer to the lighting instructions for further guidance. The pipe must be sized according to the installation code.
Burners burn with a yellow flame, accompanied by the smell of gas.	Possible cobwebs or other debris.	Thoroughly clean the burner venturi. Refer to the general maintenance instructions for more details.
Burners will not light with the igniter, but will light with a match.	Loose electrode wire or switch terminal wires.	Check that the electrode wire is securely attached to the terminal on the back of the igniter. Ensure the lead wires from the module to the ignition switch (if equipped) are firmly connected to their respective terminals.
Burners will not stay lit when the control knob is released.	Knob not held in long enough. Windy conditions. Lava glass or debris in the ignition area of the burner, preventing the thermocouple from being fully engulfed in the flame. Dirty thermocouple or thermocouple connection. Faulty thermocouple or valve.	The thermocouple needs time to heat up. Hold the knob in for 30 seconds after the burner lights, then release. If the wind speed exceeds 10 mph (16 km/h), the unit will automatically shut down. Relocate the unit to a more sheltered area or use it when the wind is calmer. Ensure there are no lava glass pieces or other debris in the ignition area, and that the small hole below the thermocouple is unobstructed. Clean the thermocouple and the connection between the valve and thermocouple. Ensure the connection is properly tightened. If necessary, replace the thermocouple and/or valve.
Humming regulator.	Normal occurrence on hot days.	This is not a defect. It is caused by internal vibrations in the regulator and does not affect the performance or safety of the appliance. Humming regulators will not be replaced.
Burner output on the 'High' setting is too low. (Rumbling noise and fluttering blue flame on the burner surface.)	Lack of gas. Supply hose is pinched. Dirty or clogged orifice. Cobwebs or other substances in the venturi tube. Propane regulator in "low flow" state.	Check the gas level in the propane cylinder. Reposition the supply hose to clean the burner orifice. Clean out the venturi tube. Ensure the lighting procedure is followed carefully. All valves must be in the "OFF" position when the tank valve is turned on. Turn the tank valve on slowly to allow the pressure to equalize. Refer to the lighting instructions for further details.
Light not ON	Batteries not installed.	Install 3 pcs AA batteries into the battery box located inside the fire pit table.
	The positive and negative terminals of the battery are reversed.	Check and correct the positive and negative terminals of batteries.
	The switch on the battery box has not been turned on.	Turn on the switch of the battery box.
	The battery is dead.	Change new batteries.
	The wire connection buckle is not properly connected.	Correctly connect the wire connection buckle.

Thank you for purchasing this product! If you have any questions regarding missing parts, damaged items, product assembly, or operation, please don't hesitate to contact us through the online platform. Thank you very much!