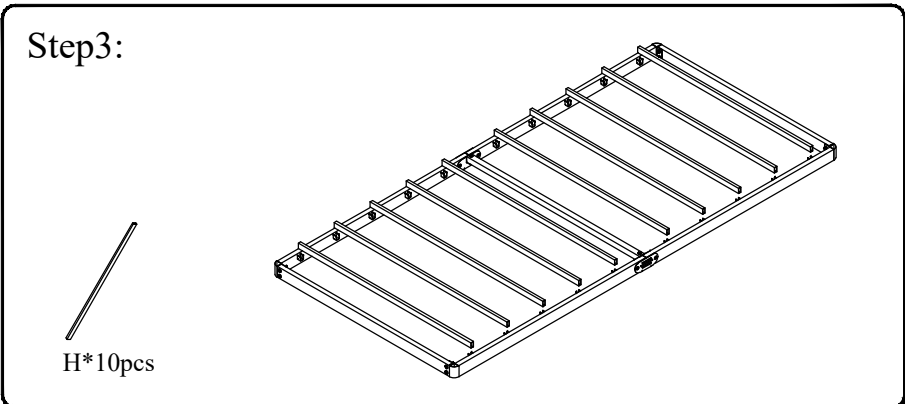
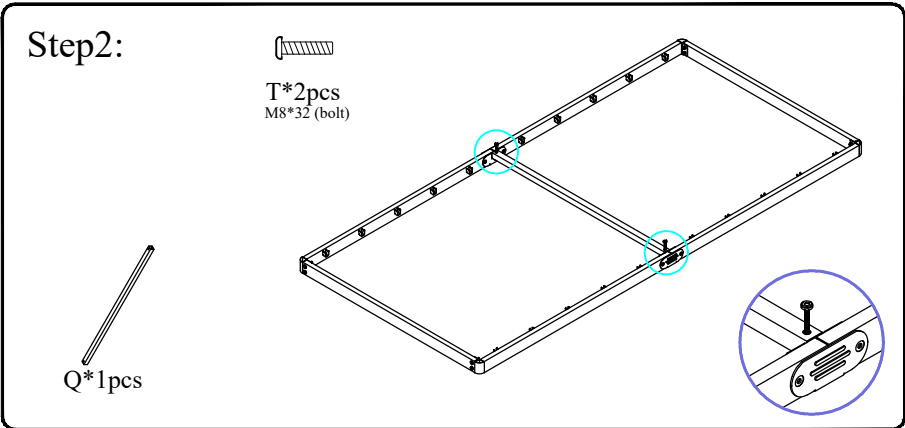
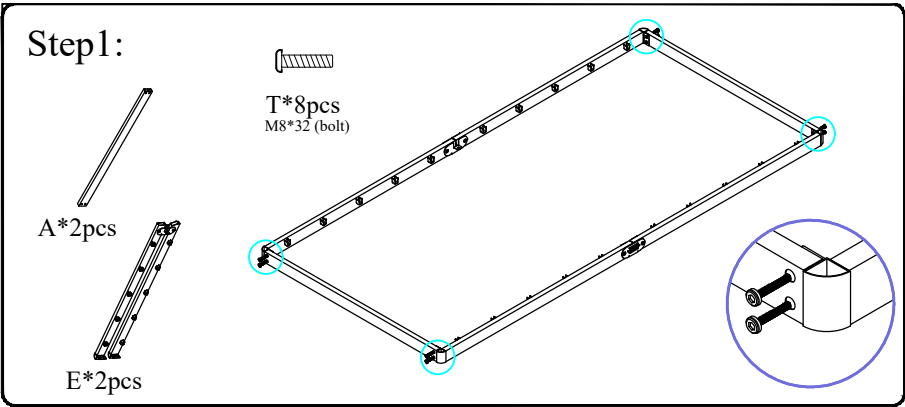
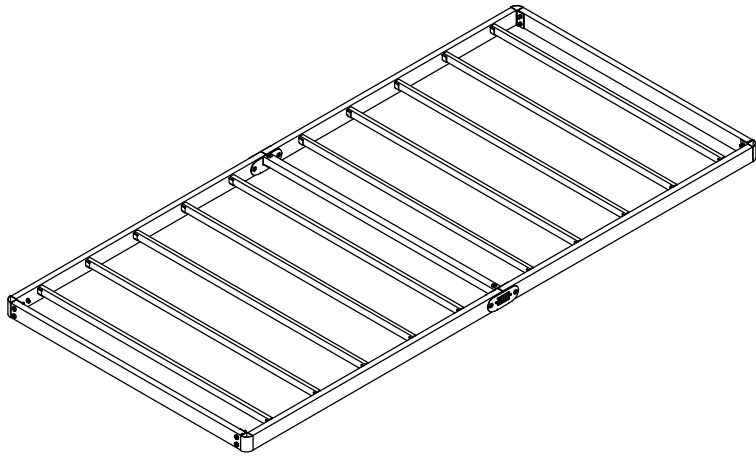


# BOX SPRING Set-up Instruction


SBS:01/02

Size: Twin/Twin XL

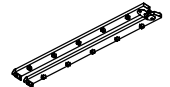
If you have any questions about the product, please don't hesitate to contact us. You can reach us through your order. Thanks for your support!




**Package Parts List**




A\*2pcs





E\*2pcs



Q\*1pcs



H\*10pcs

<b>Accessories List</b>	 T*10pcs M8*32 (bolt)	 Z*1pcs
-----------------------------	--	---