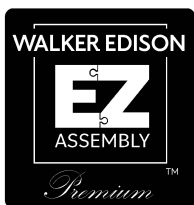
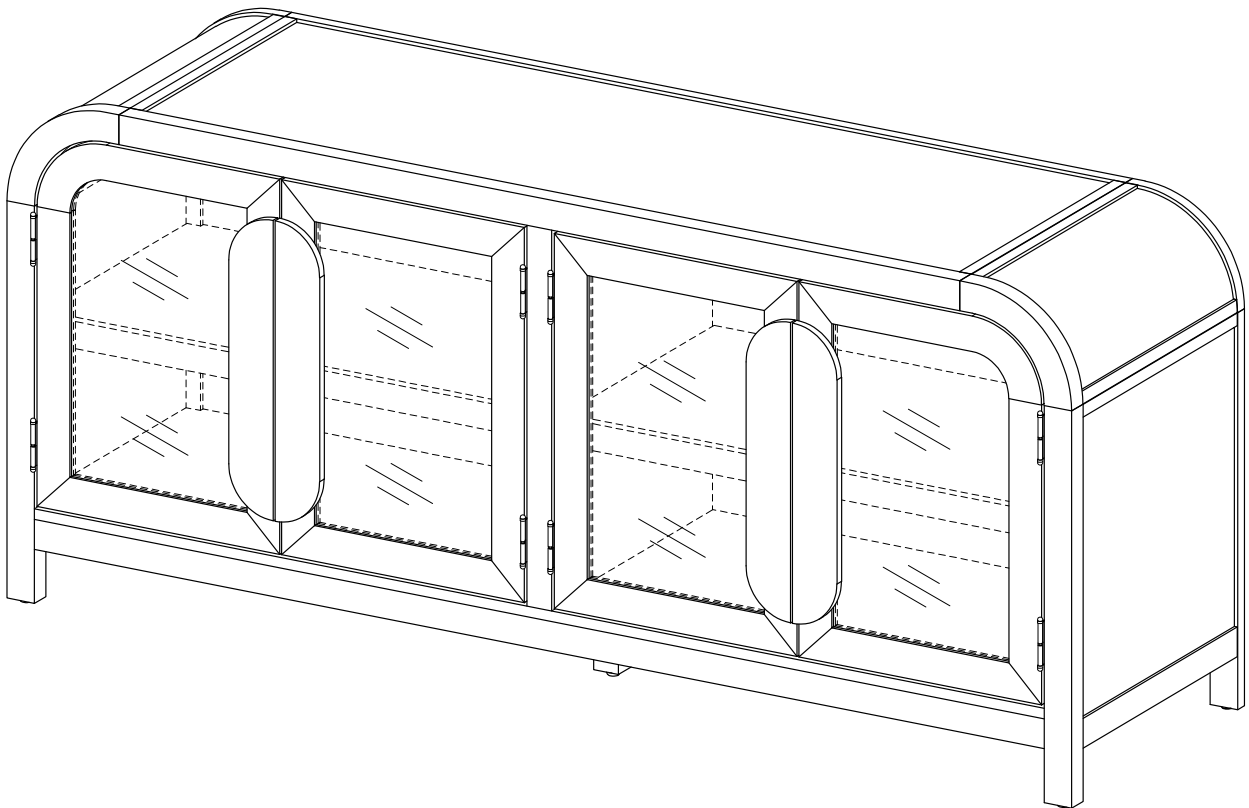


WALKER EDISON™

Chantelle 68 and 70" TV Stands

SKU# WECHA21702

SKU# WECHA21642



For Residential Use Only

Please visit our website for the most current instructions, assembly tips, report damage, or request parts. www.walker-edison.com

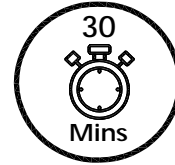


Time to get started

Set up a clean and soft workplace to get started and avoid damage during the assembly. It also helps to double-check that you've got all the pieces and parts before diving in to assembly.

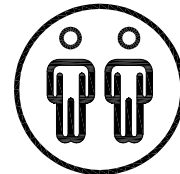
Estimated time for assembly

Say Goodbye to Frustration!
30 Minutes or Less to Build
No Tools Required



People recommended for assembly

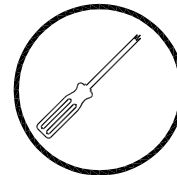
Make it a team effort! Grab a friend for quicker, easier assembly.



2 People Build

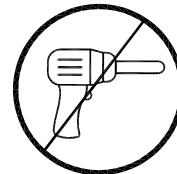
Tools Needed

Grab a Phillips head screwdriver to conquer this assembly



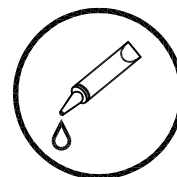
Use power tools with caution

You can cause cracking or damage to the material and easily strip the hardware. If you choose to use a power tool, your product will no longer be covered under Walker Edison's warranty.



Glue is provided to secure wood dowels in place

When inserting dowels, locate the appropriate hole, place a small amount of glue in the hole, and then insert the dowel. Wipe away excess glue immediately.

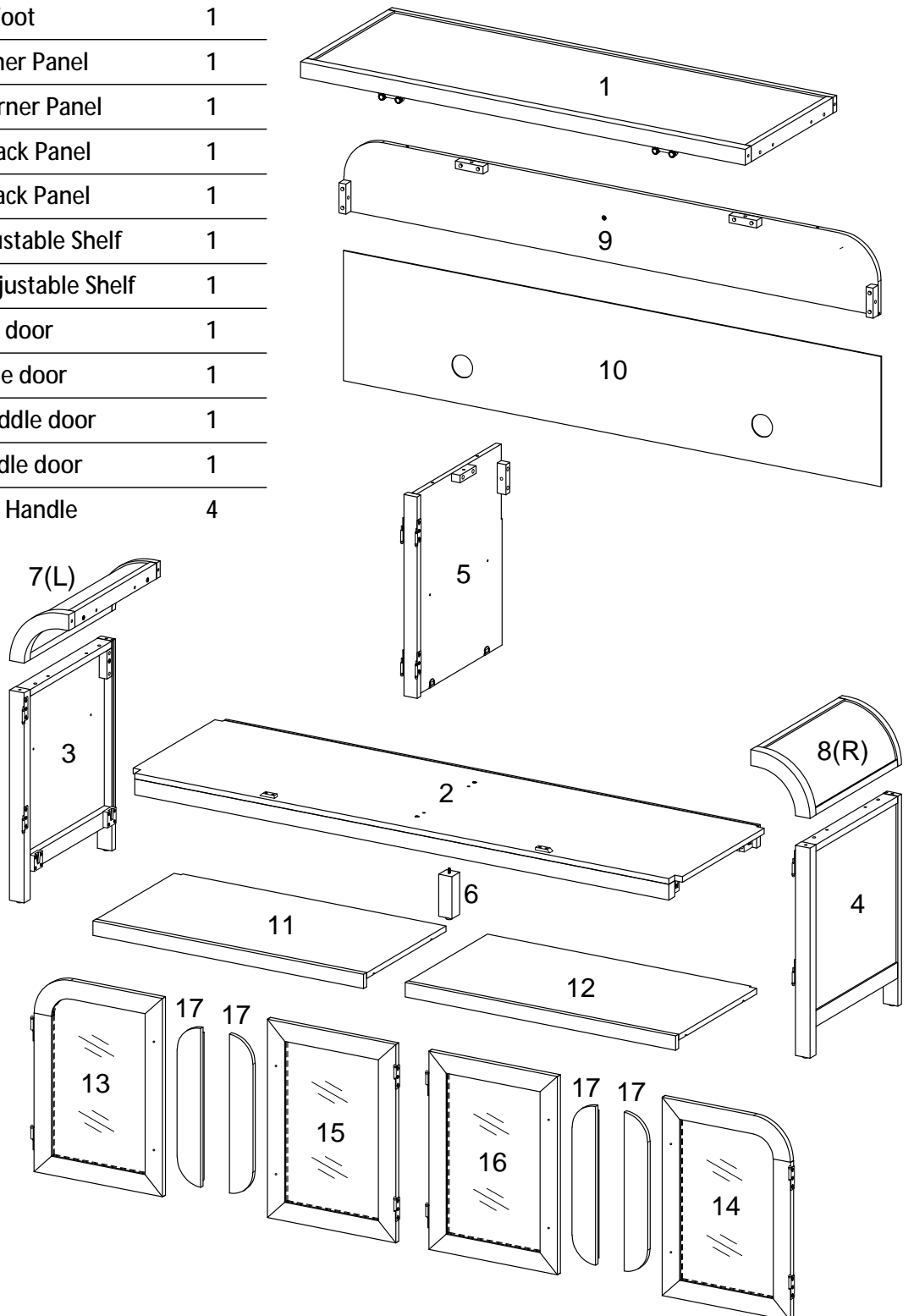


Chantelle


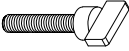
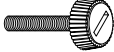
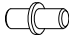



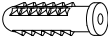

Scan to get assembly tips and help!

WE Parts List

Part Number	Description	Quantity
1	Top Panel	1
2	Bottom frame	1
3	Left Panel	1
4	Right Panel	1
5	Divider Panel	1
6	Middle Foot	1
7(L)	Left Corner Panel	1
8(R)	Right Corner Panel	1
9	Upper Back Panel	1
10	Lower Back Panel	1
11	Left Adjustable Shelf	1
12	Right Adjustable Shelf	1
13	Left Side door	1
14	Right Side door	1
15	Right Middle door	1
16	Left Middle door	1
17	Wooden Handle	4



Hardware List

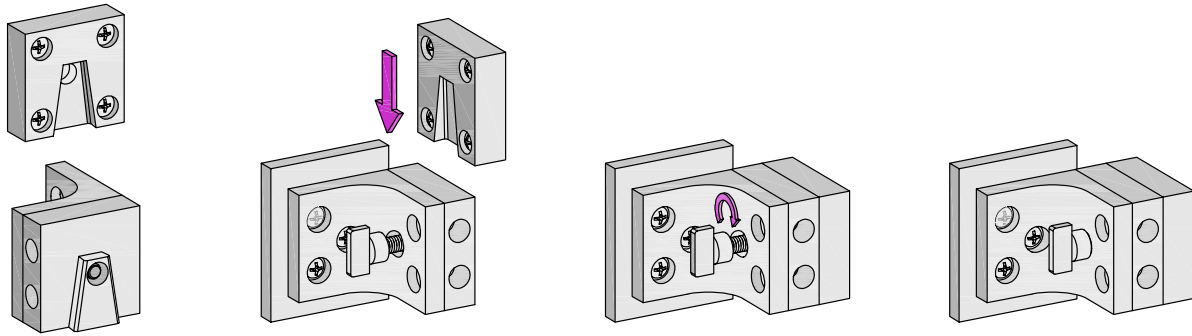
Part	Size	Name	Quantity
A 	8x30mm	Wooden dowel	22
B 	1/4"x30mm	Thumb Screw	14
C 	5/32"x25mm	Bolt	8
D 	8x5x16mm	Shelf Support Pin	8
E 	4x25mm	Screw	2
F 	4x12mm	Screw	2
G 	120x24x1mm	Plastic strap	2
H 	6x30mm	Anchor	2
J 	10g	Glue Tube	2

The hardware quantities listed above are required for proper assembly.
Extra hardware pieces may be included.

Introducing Walker Edison EZ Assembly™ Hardware

At Walker Edison, we understand that furniture assembly can be a daunting task, especially when you're excited to get your new furniture set up and in use.

That's why we're introducing our innovative Walker Edison EZ Assembly™ hardware system. Our goal is to make the assembly process as smooth and straightforward as possible, so you can spend less time building and more time enjoying your new furniture.



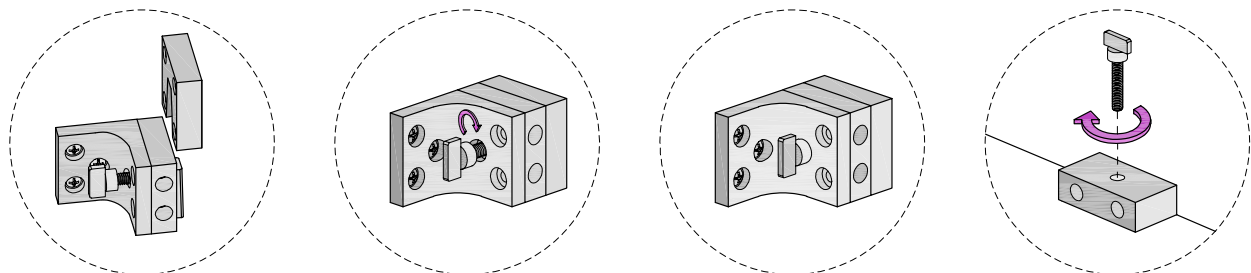
What Makes Walker Edison EZ Assembly™ Special?

- **Simplified Process:** Our hardware is designed to streamline the assembly process. With the Walker Edison EZ Assembly™ system, pieces connect easily and securely with minimal effort. No more fumbling with complex tools or trying to decipher confusing instructions—just quick, straightforward connections.
- **No Tools Required:** The Walker Edison EZ Assembly™ system is designed to be intuitive and user-friendly requiring no tools for assembly, so you can assemble with confidence, knowing it will be stable and secure.
- **Durable and Reliable:** Our Walker Edison EZ Assembly™ hardware isn't just easy to use—it's built to last. The components are crafted from high-quality materials to ensure that your furniture remains sturdy and reliable for years to come.

We're excited to introduce you to a new era of furniture assembly.

With Walker Edison EZ Assembly™, you can look forward to a hassle-free experience and a beautiful, durable product that's ready to enjoy in no time.

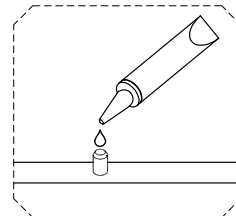
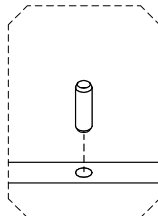
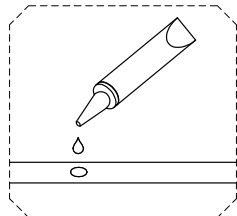
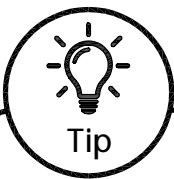
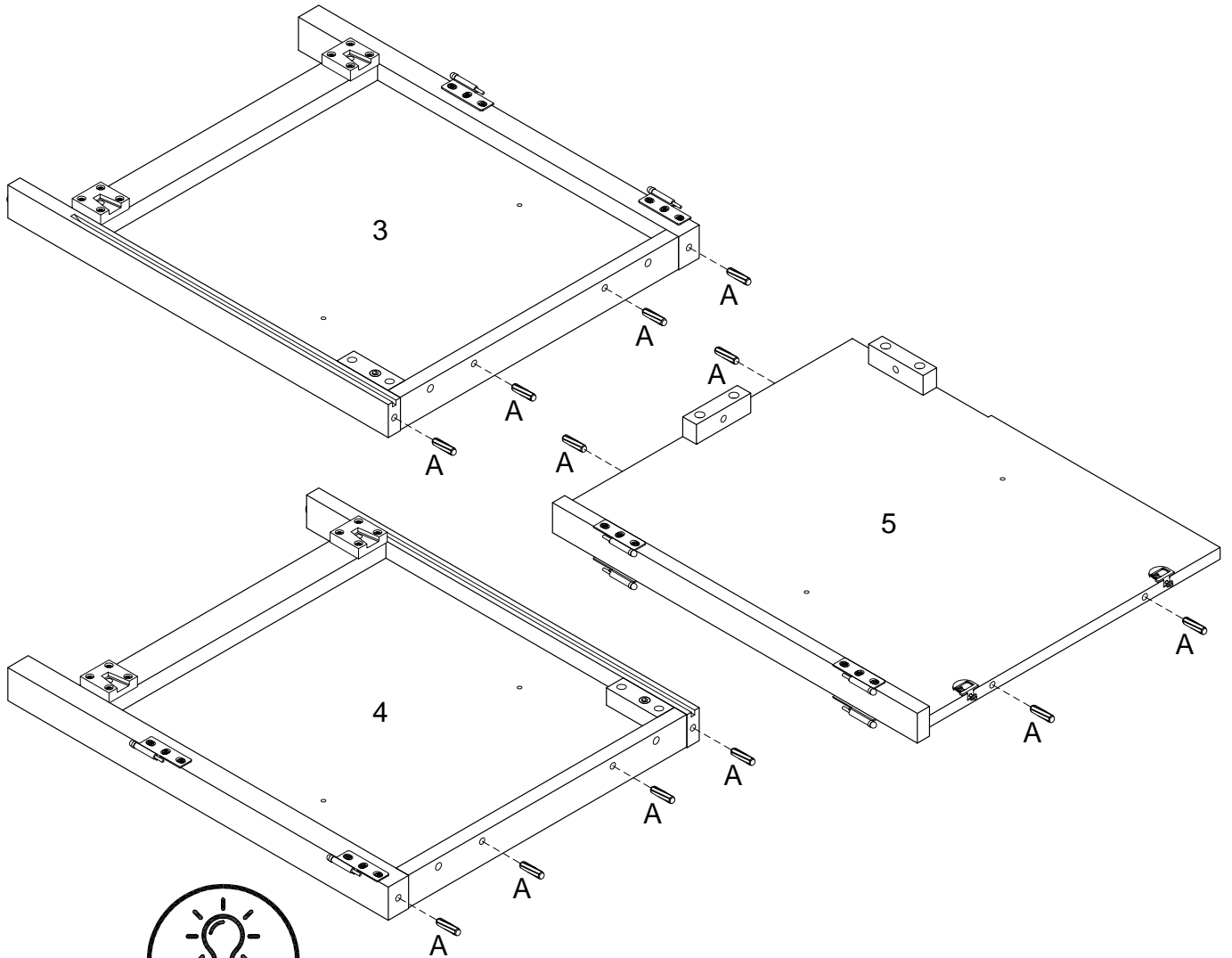
How to Get Started



1. Get your panels ready, following the Assembly Instructions.
2. Match up the triangular male and female pieces—think of it as a little puzzle!
3. Let gravity lend a hand as you slide the hardware together at each aligned hardware piece.
4. Give the thumbscrew a twist in the center to lock everything in place.

Step 1

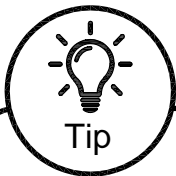
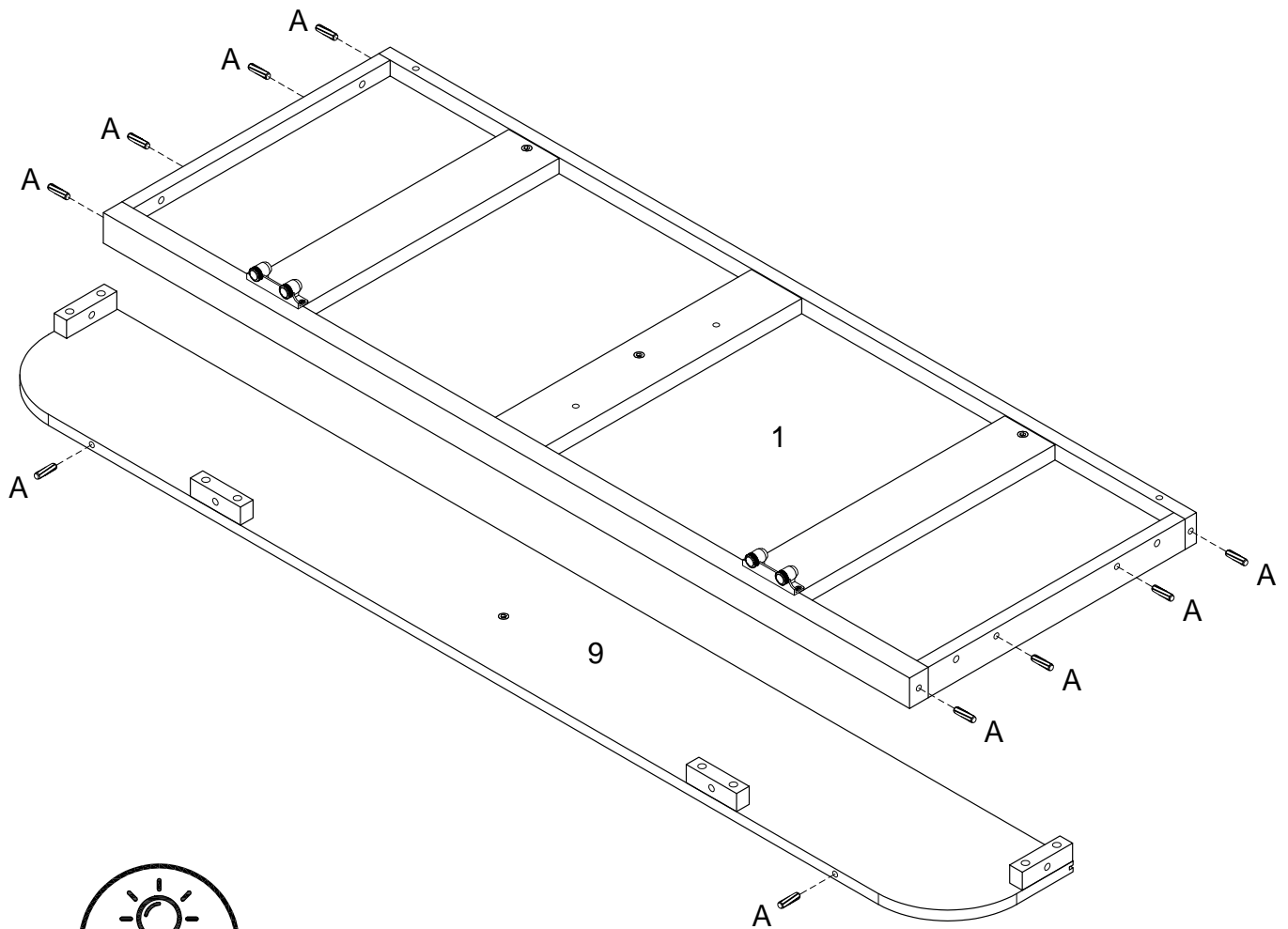
Let's get started! Insert the wooden dowels (A) into the Left Panel (3), Divider Panel (5) and Right Panel (4).



- 1: The provided glue is to secure wood dowels in place. When first inserting dowels, locate the appropriate hole for the dowel, place a small amount of glue in the hole and insert the dowel. Wipe away excess glue immediately.
- 2: In future assembly steps when dowels are necessary to attach assembly parts together, place a small amount of glue on the end of the dowel before attaching parts together. Wipe away excess glue immediately.

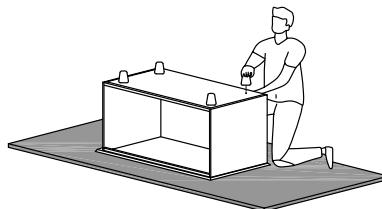
Step 2

Next up, connect the Upper Back Panel (9) to the Top Panel (1).



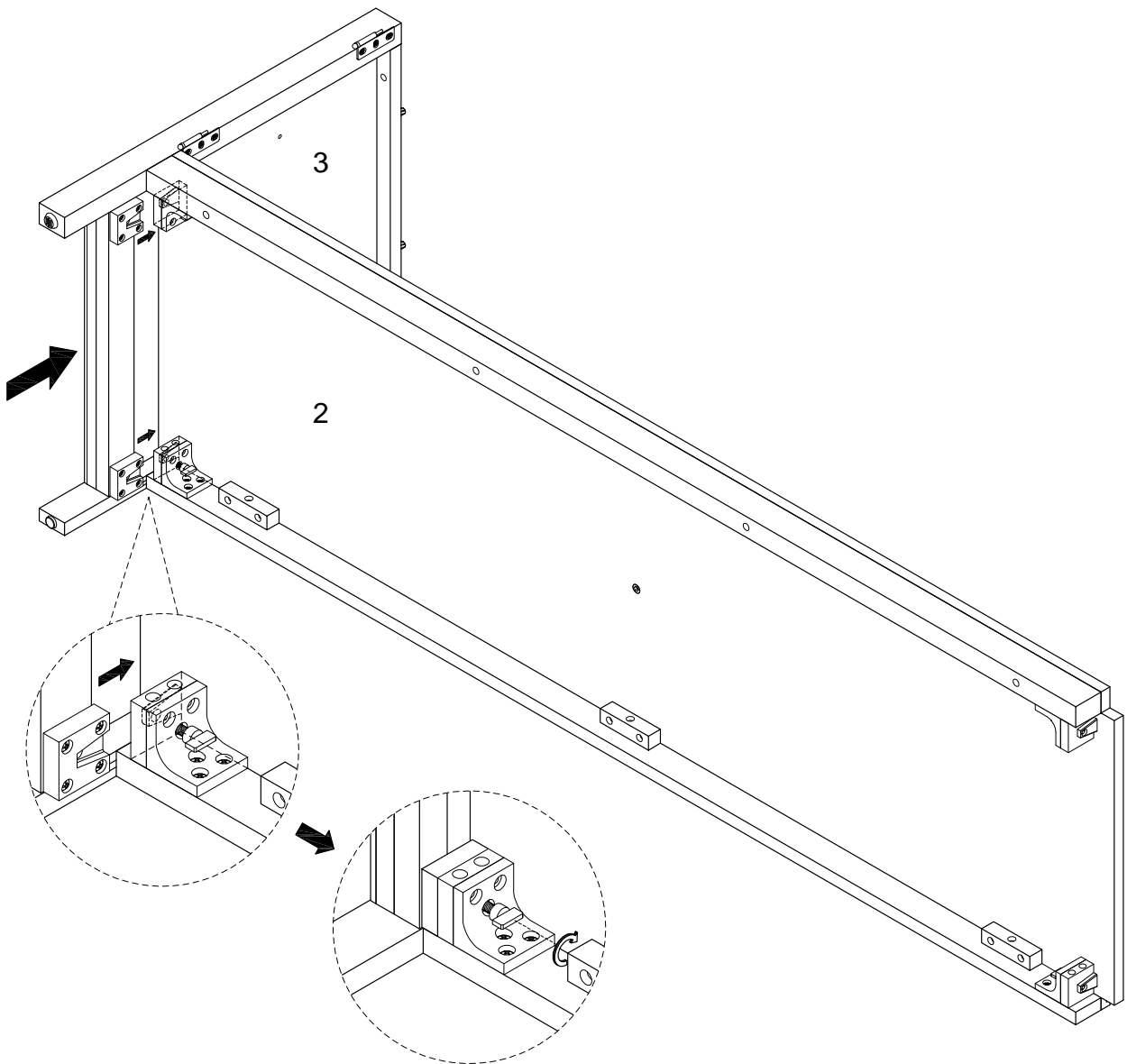
Tip

To keep your product looking its best and scratch-free, try assembling it on a soft surface like carpet or a blanket. This helps prevent any accidental scratches and keeps your furniture in top shape!



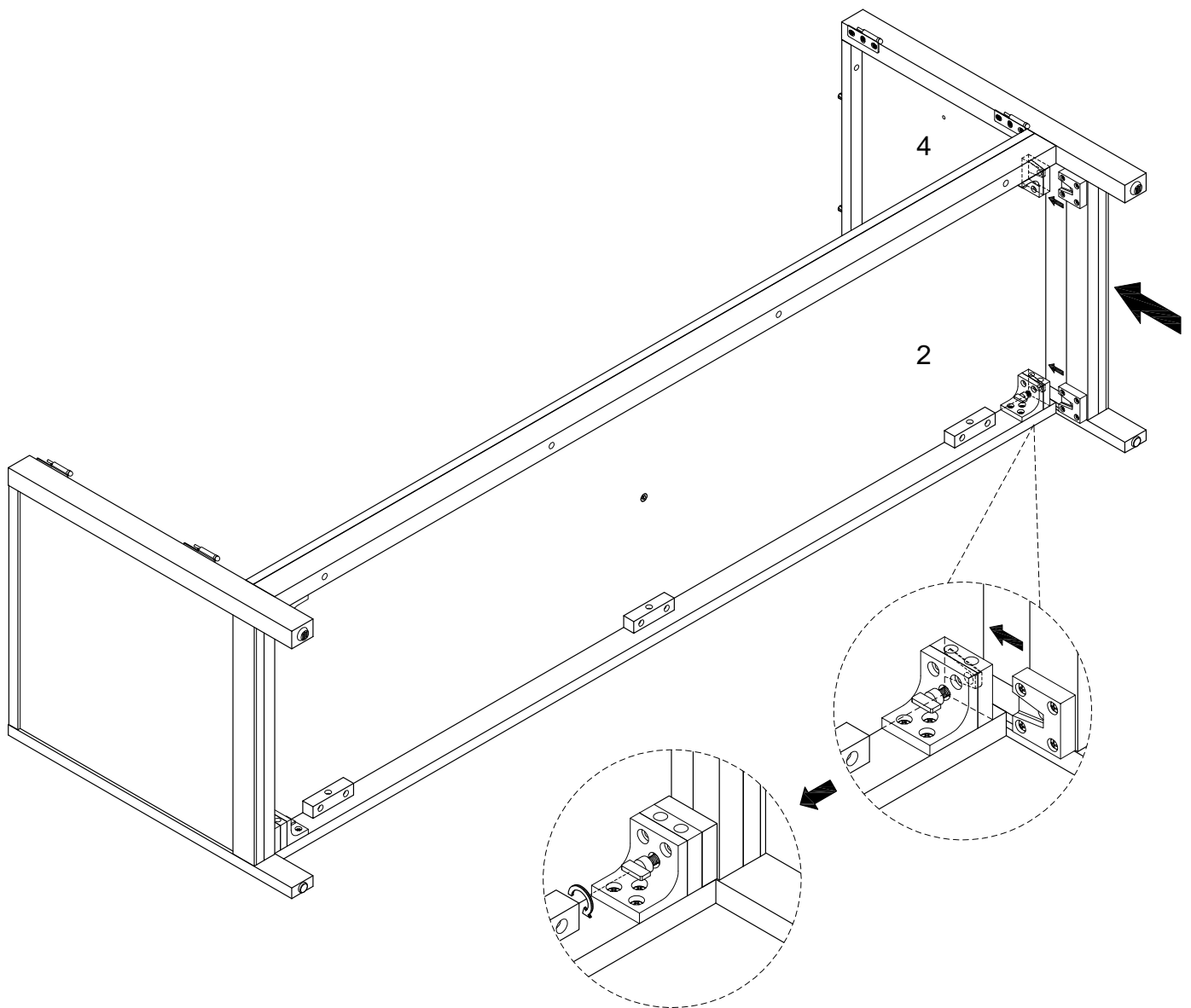
Step 3

Grab the Left Panel (3) and slide it into the EZ Assembly hardware on the underside of the Bottom Panel (2) until they lock together. Secure it in place with the thumb screws (B) – easy, right?



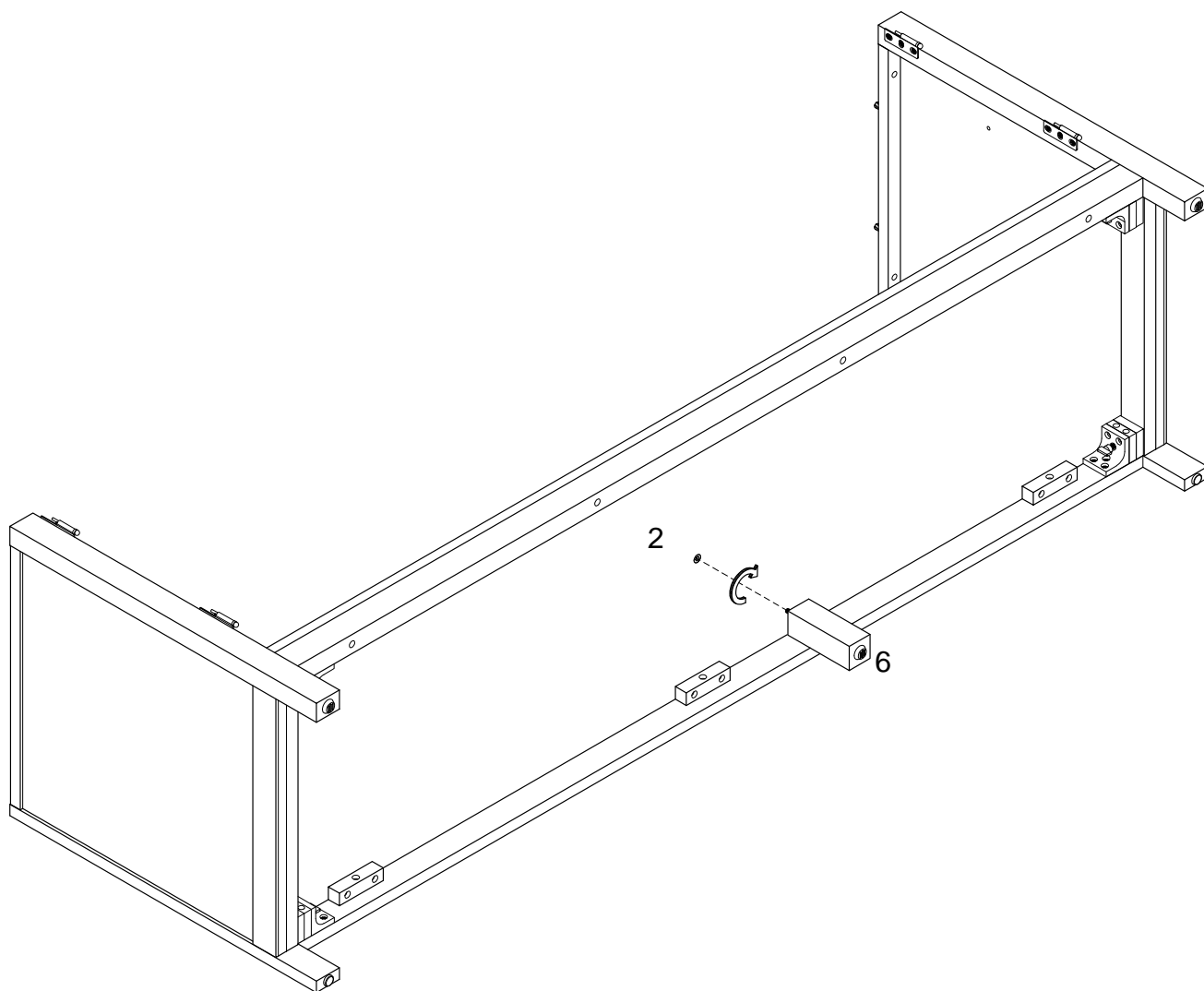
Step 4

Repeat on the right! Take the Right Panel (4) and do the same thing you did with the left side. Slide, lock, and secure with those trusty thumb screws.



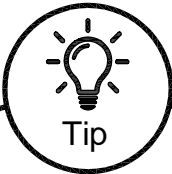
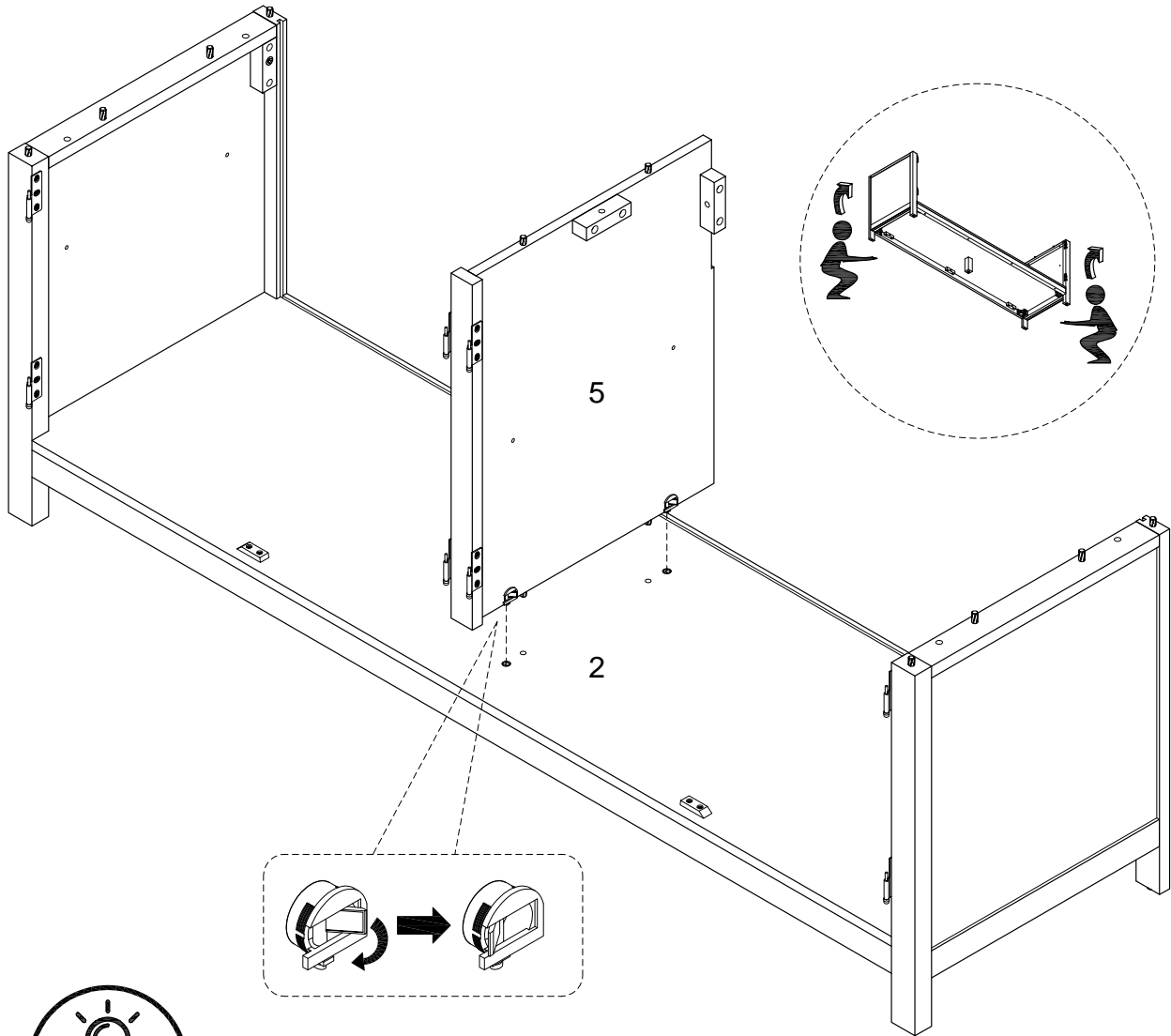
Step 5

Screw in the Middle Foot (6) to the Bottom Panel (2). Just twist it on like a pro.



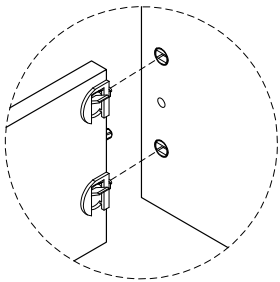
Step 6

Stand your frame upright and unfold the Divider Panel (5). Slide it into the grooves in the center.

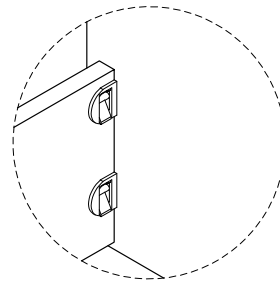


Tip

Quick Assembly Pins



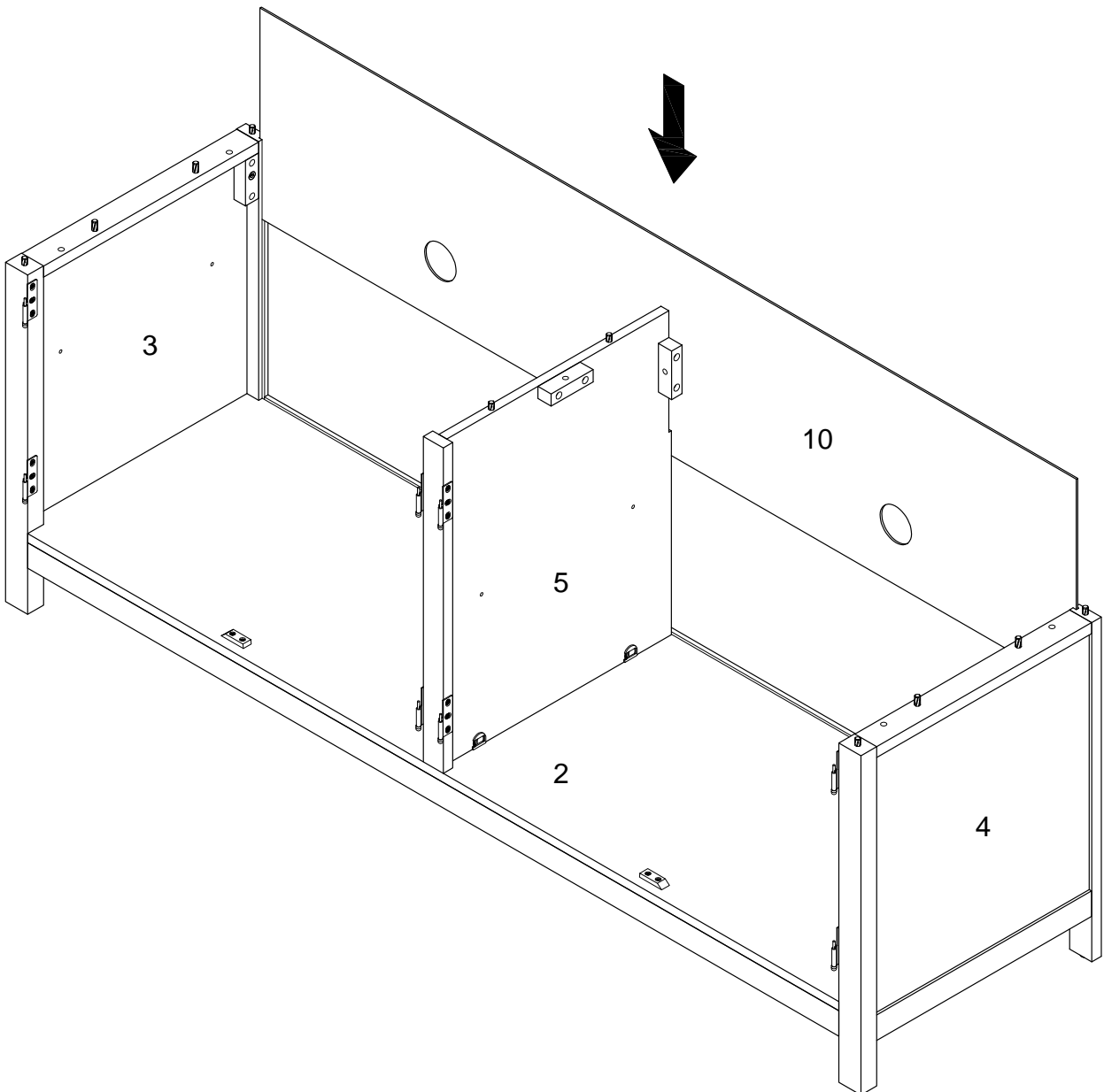
1. Align quick assembly pin with the corresponding holes.



2. Once pin is inserted correctly flip the metal lever in the opposite direction to ensure panels are firmly locked together.

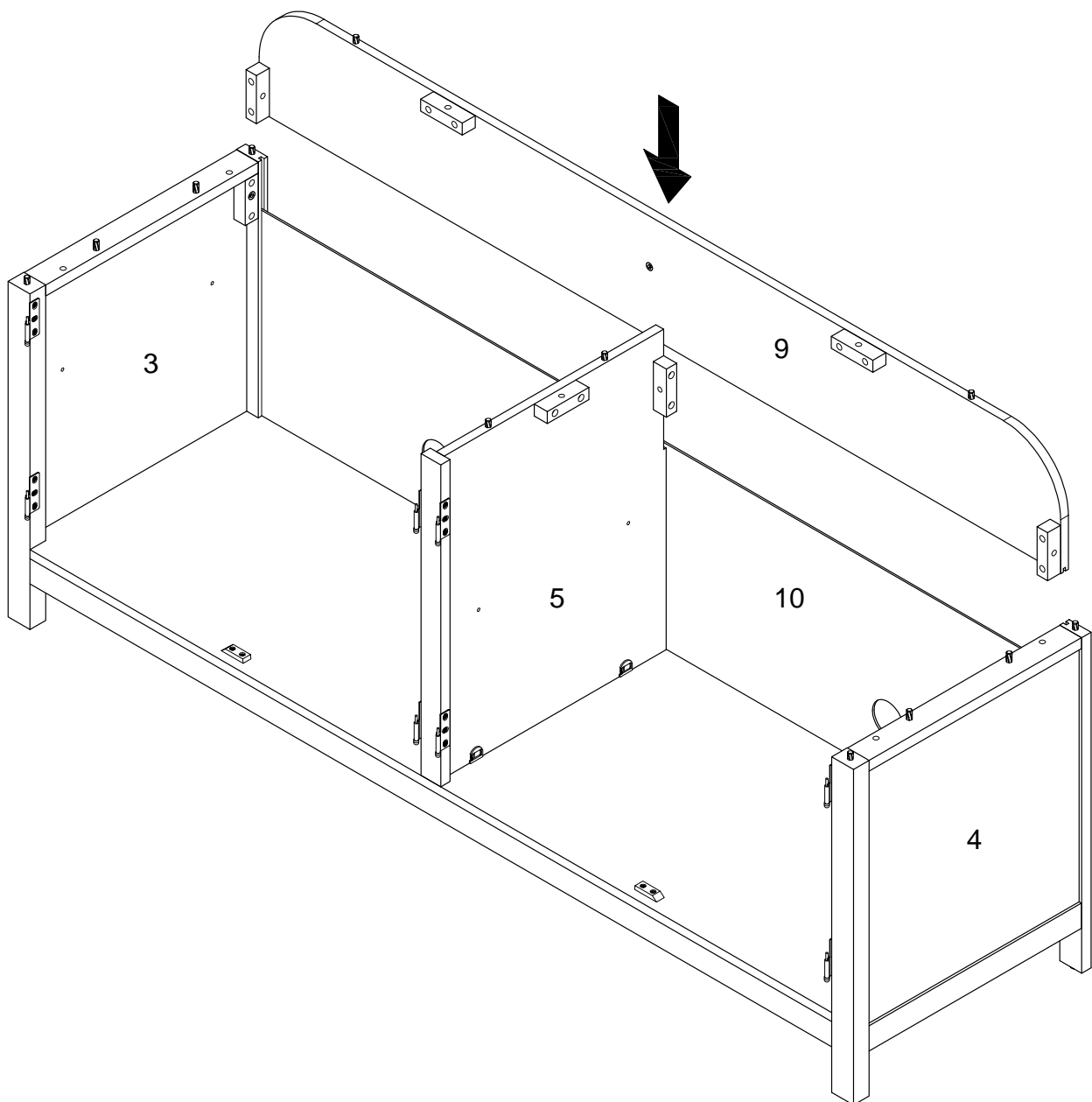
Step 7

Line up and slide in the Lower Back Panel (10).



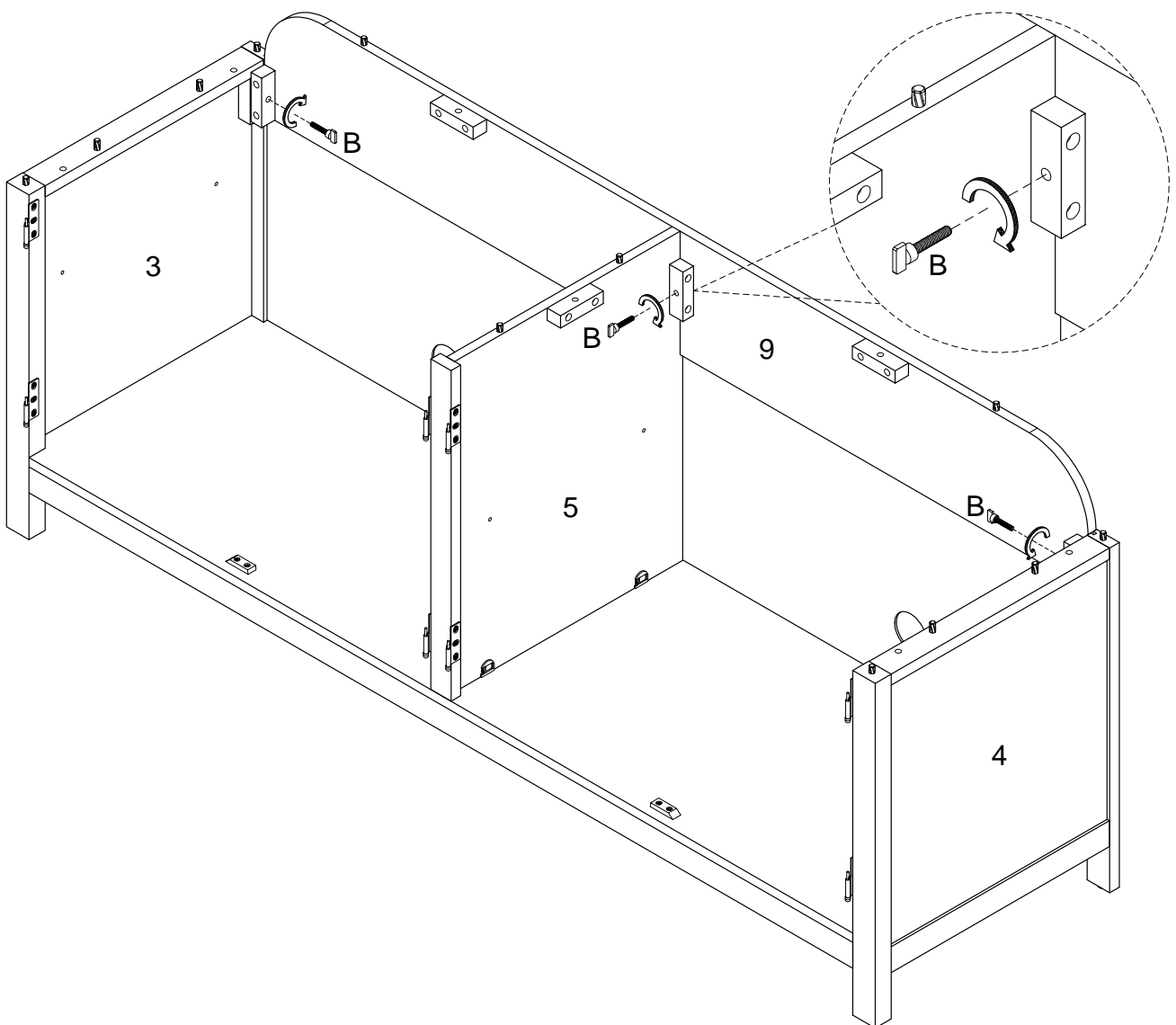
Step 8

Slide in the Upper Back Panel (9).



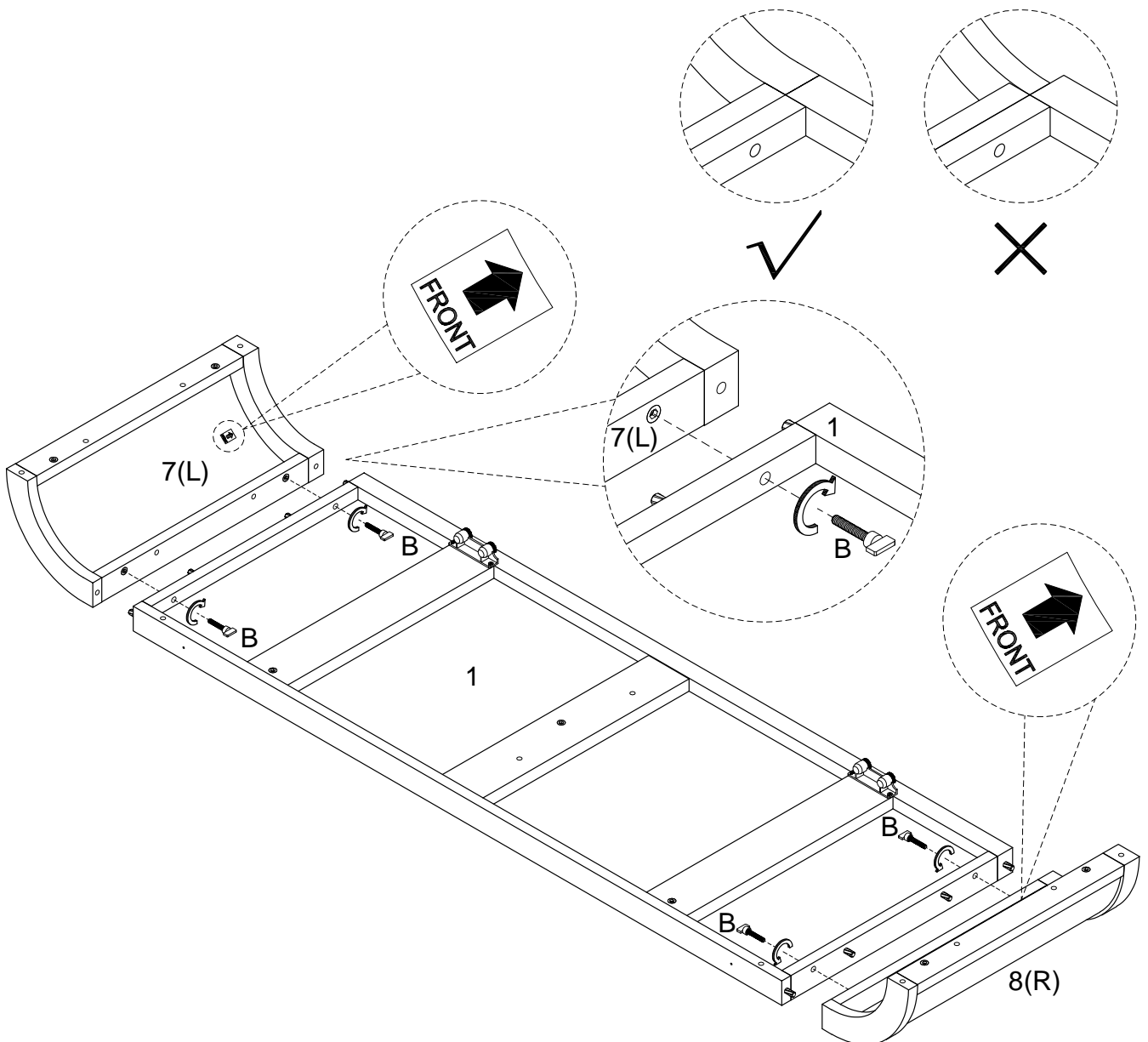
Step 9

Secure Upper Back Panel (9) to the Left Panel (3), Divider Panel (5) and Right Panel (4) with the thumb screws (B).



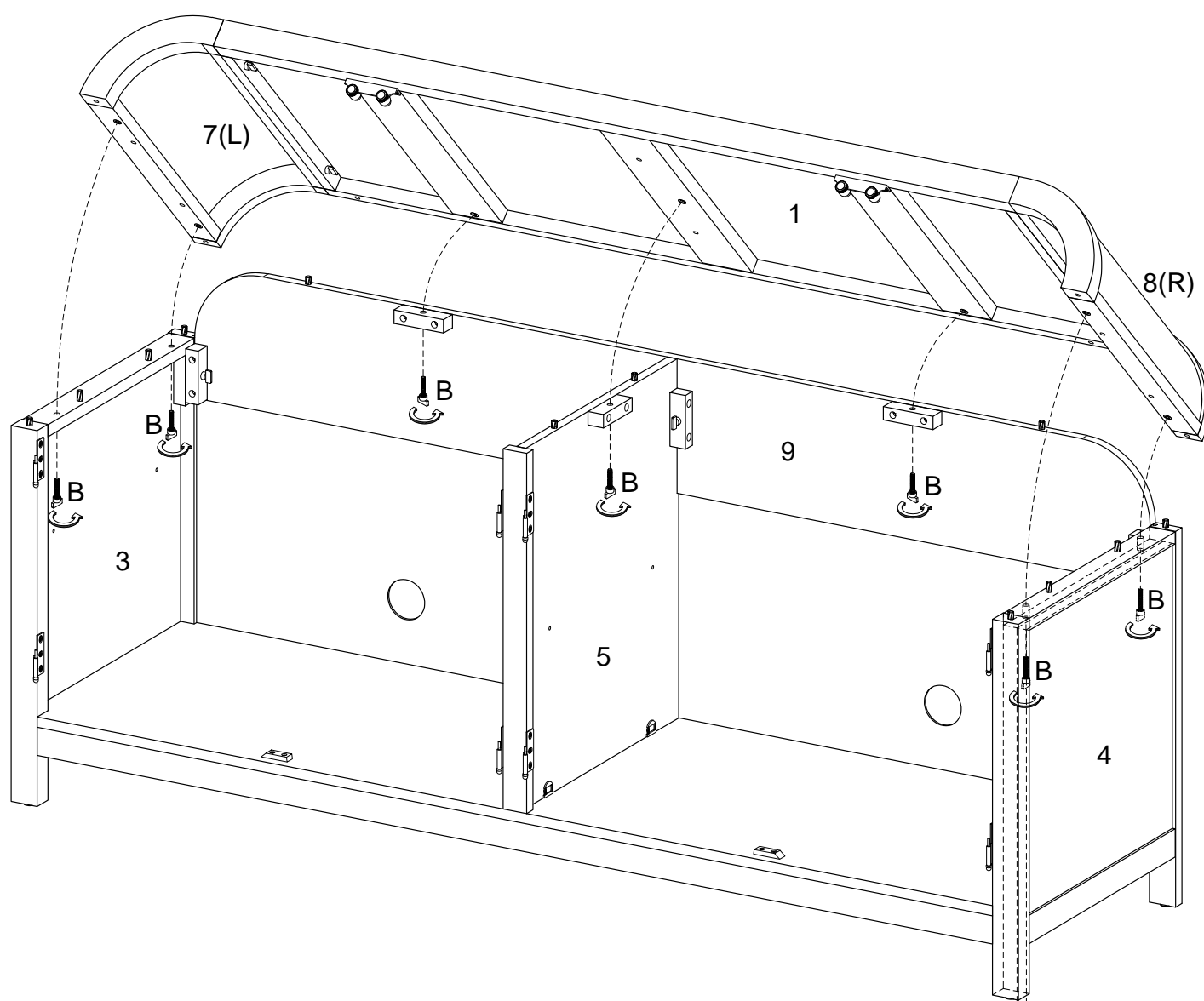
Step 10

Secure Curved Corner Panels (7L and 8R) to Top Panel (1) with thumb screws.



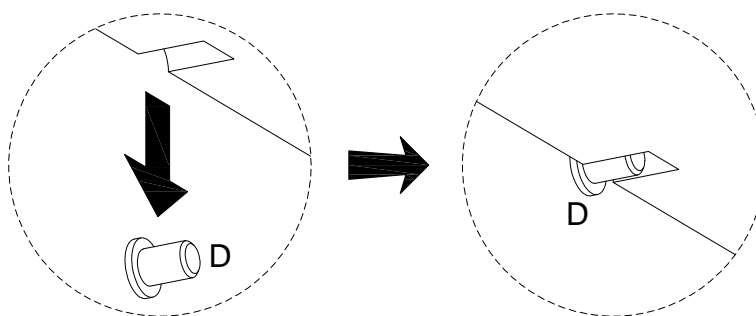
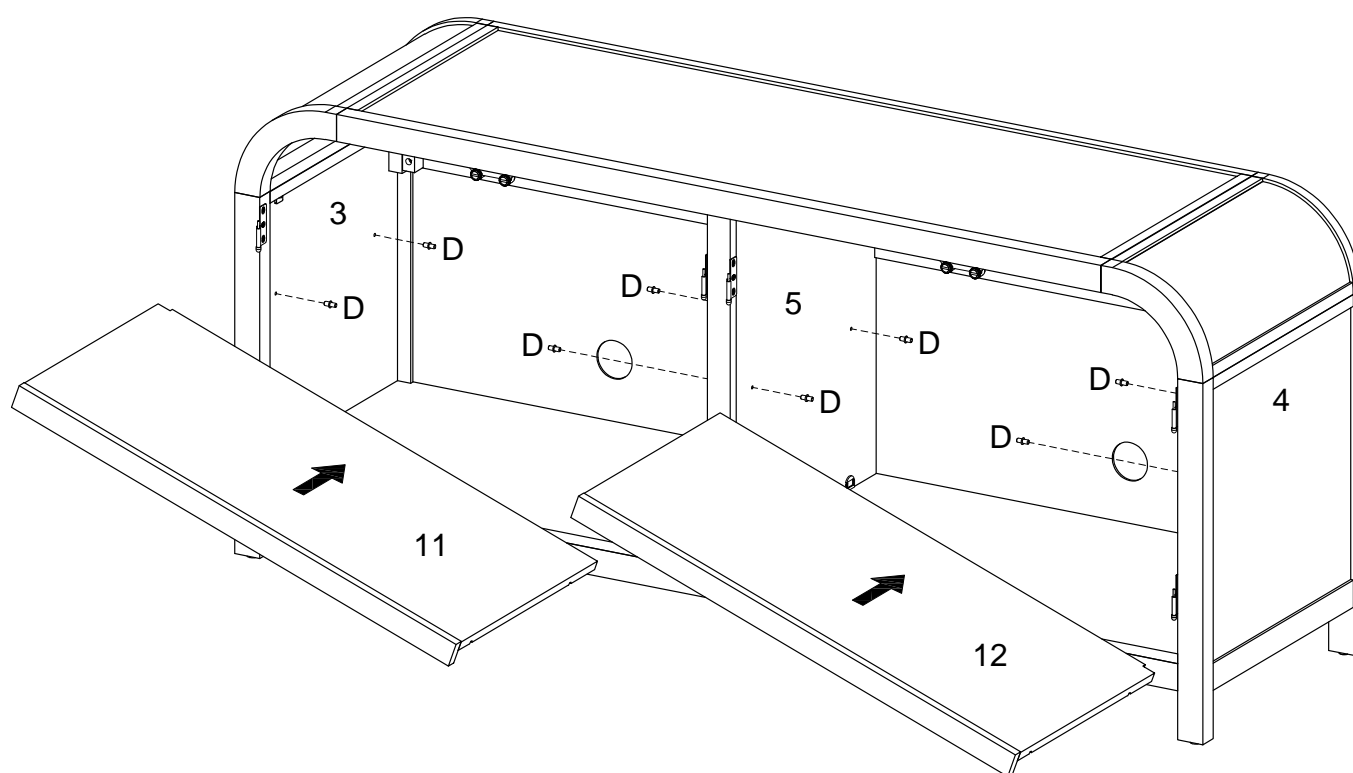
Step 11

Attach and Align the Curved Piece from Step 10 with thumb screws to the base of the stand. The dowels will assist in lining all pieces together.



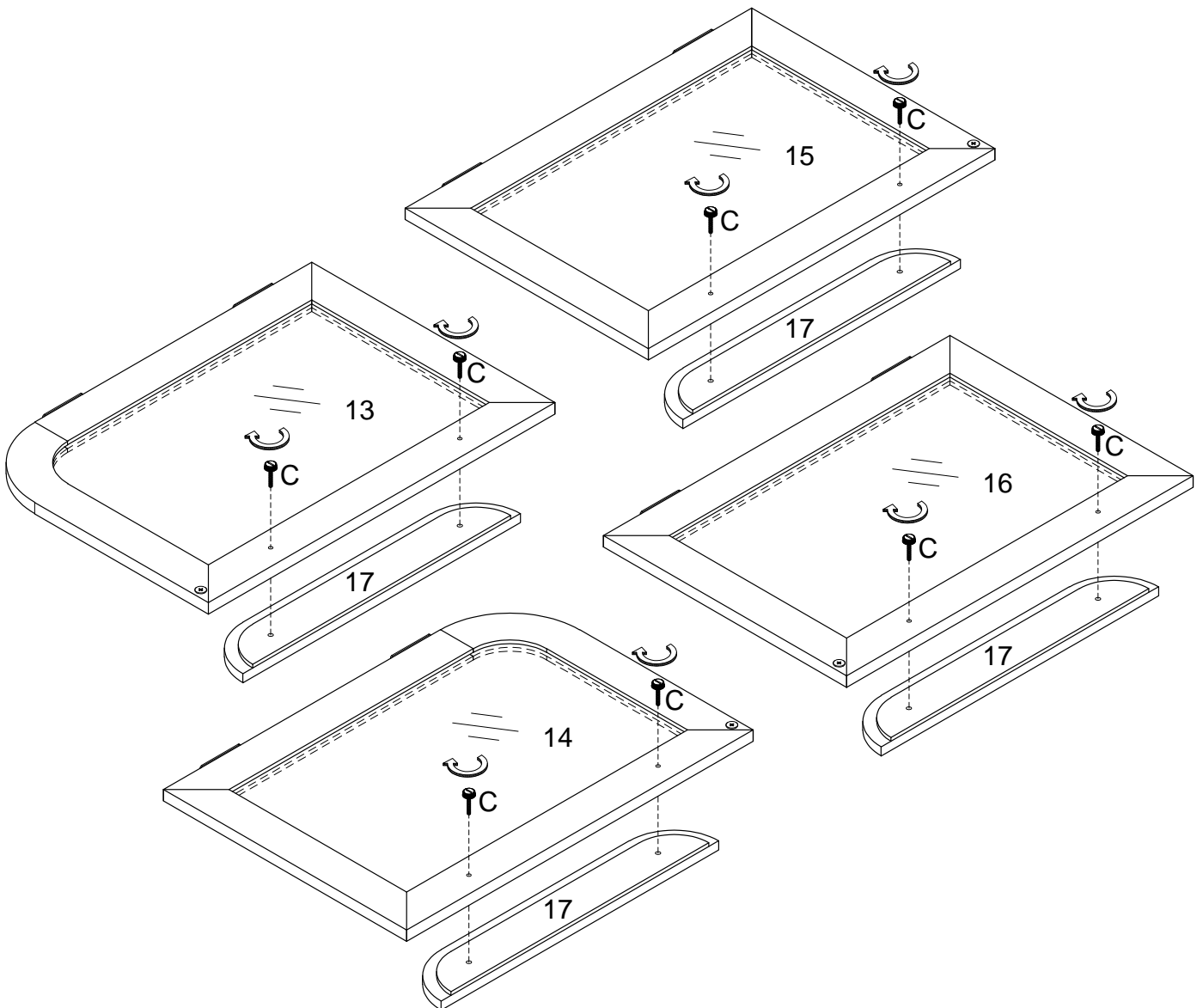
Step 12

Pick your perfect shelf height and insert the support pins (D). Then place the Adjustable Shelves (11 & 12) into place.



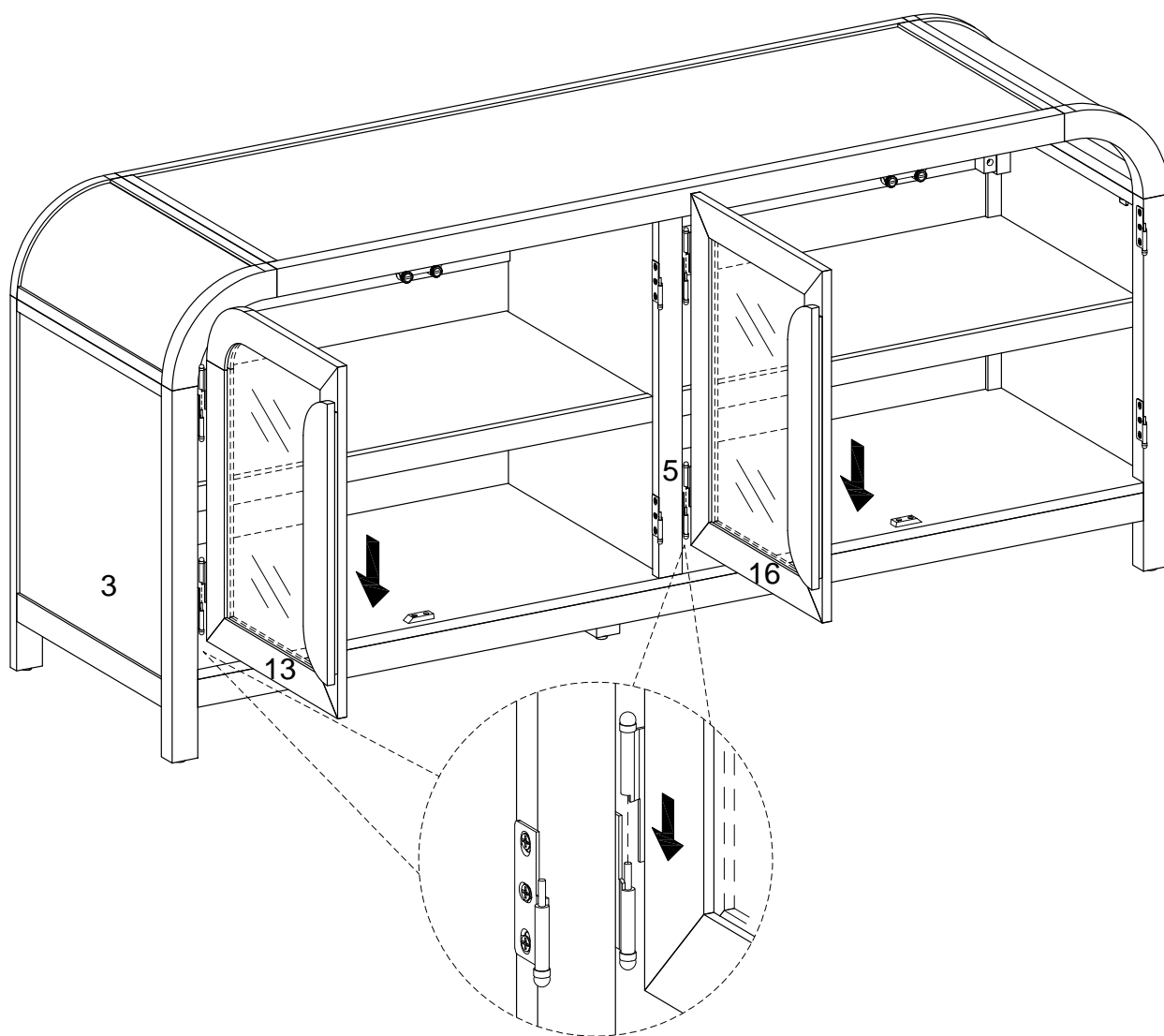
Step 13

Let's build some doors! Start by gathering door parts (13-16) and four door handle parts (17). You will need two bolts (C) per handle. Secure the handle to each door.



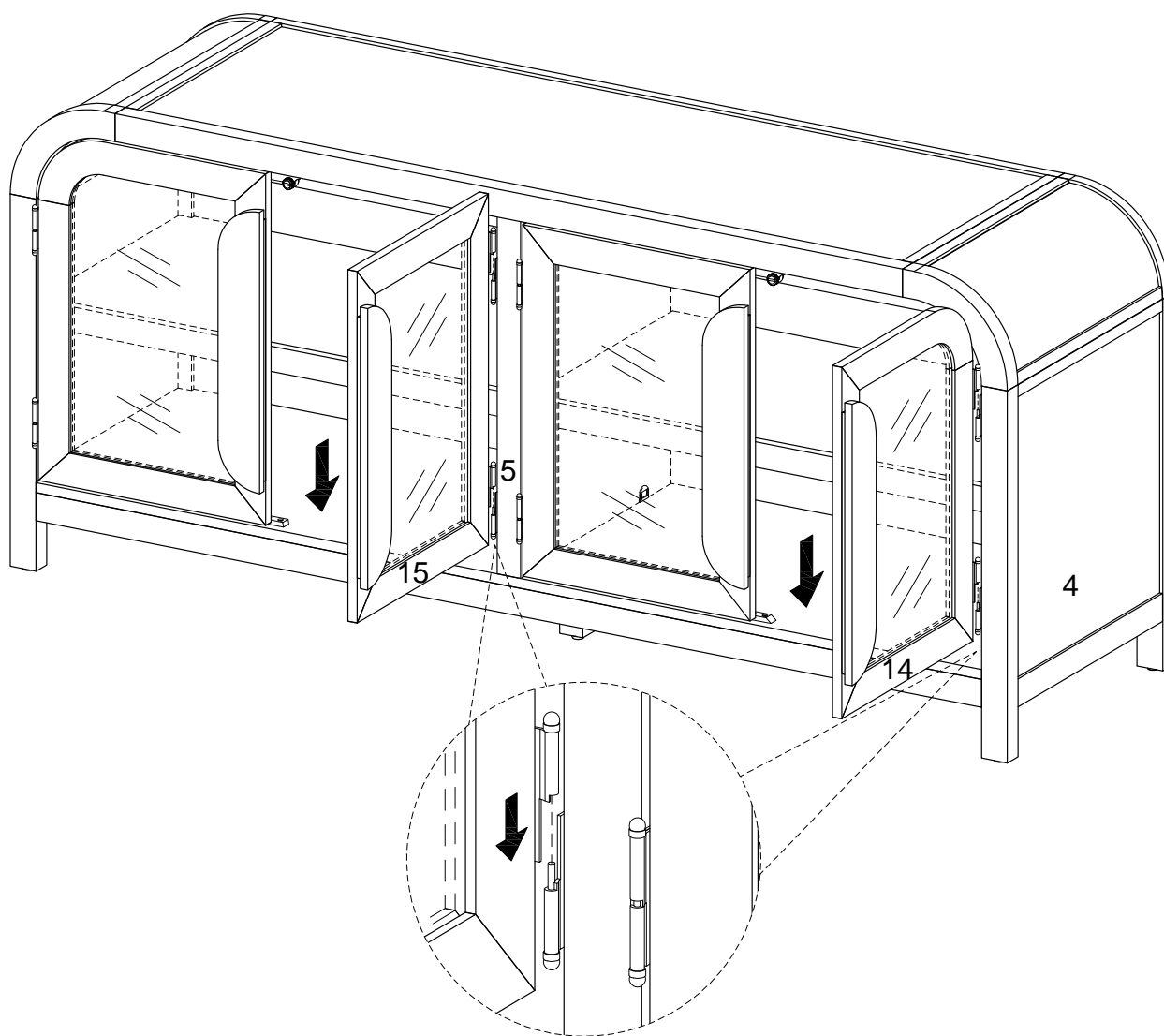
Step 14

Slide the Left Side Door (13) and the Left Middle Door (16) in place by lining up the pins.



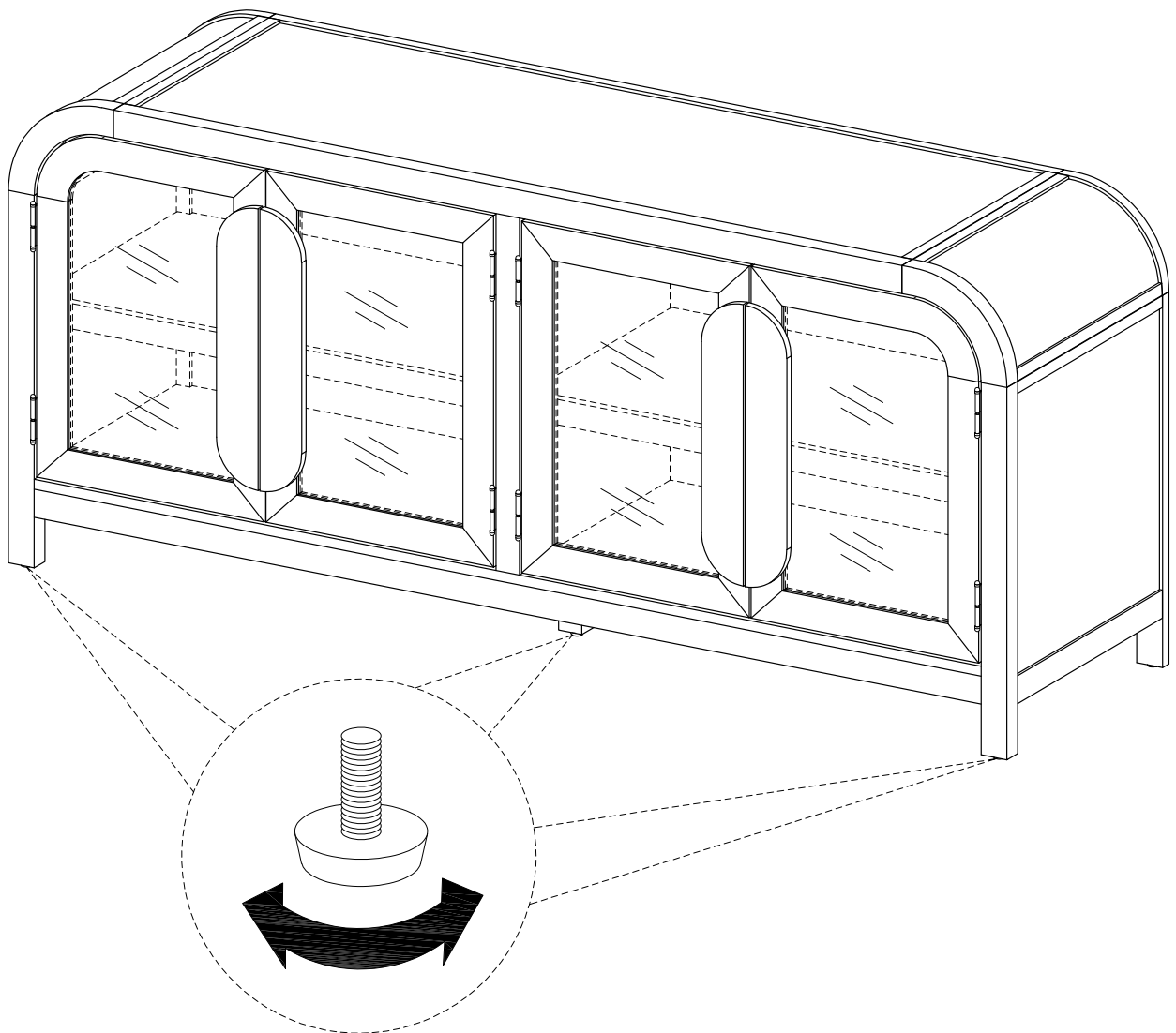
Step 15

Slide the Right Middle Door (15) and Ride Side Door (14) in place by lining up the pins.



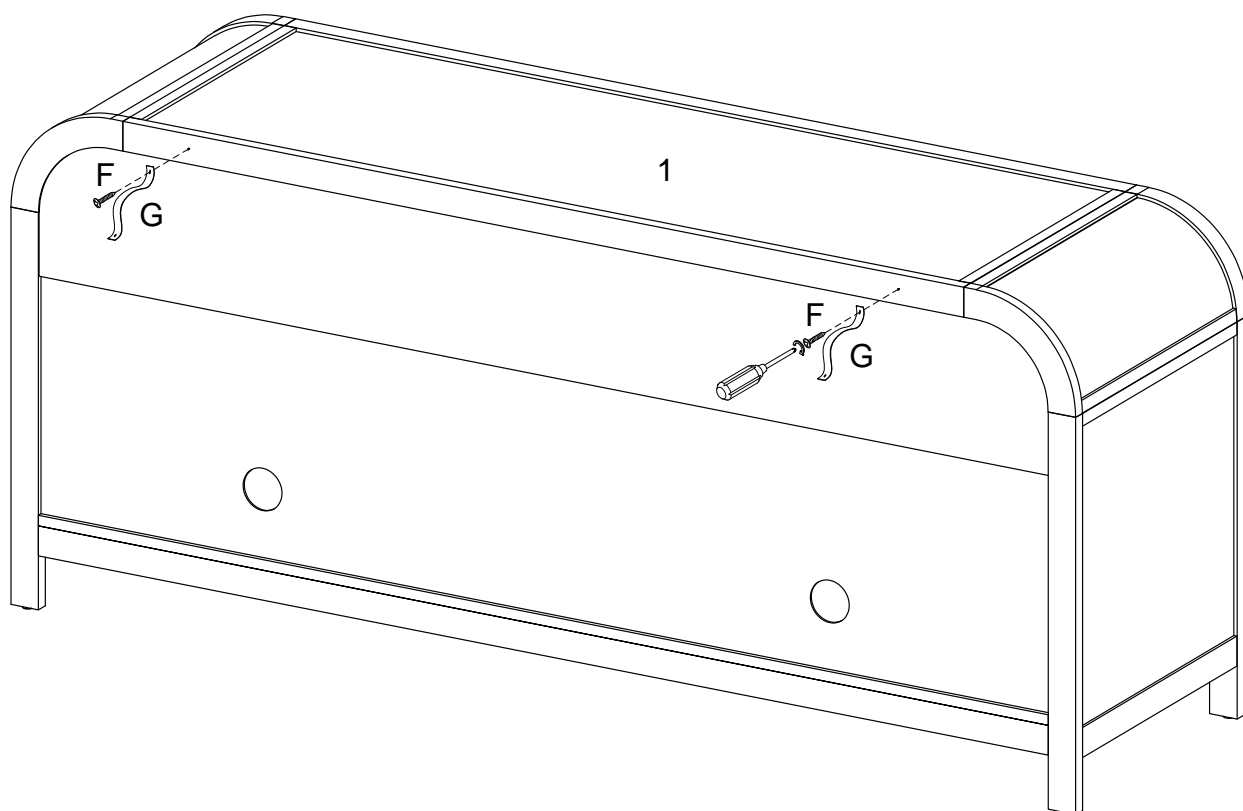
Step 16

Adjust Levelers if needed to stabilize the piece



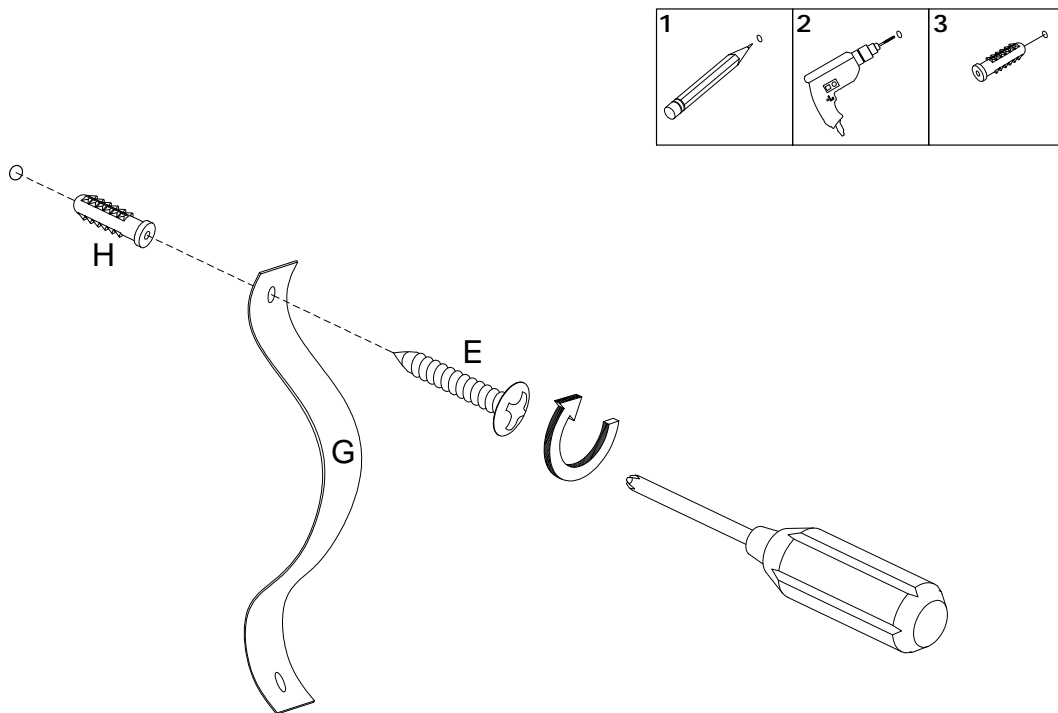
Step 17

Let's install the anti-tip kit! Use the screws (F) to attach the plastic strap (G) to the back of the Top Panel (1).



Step 18

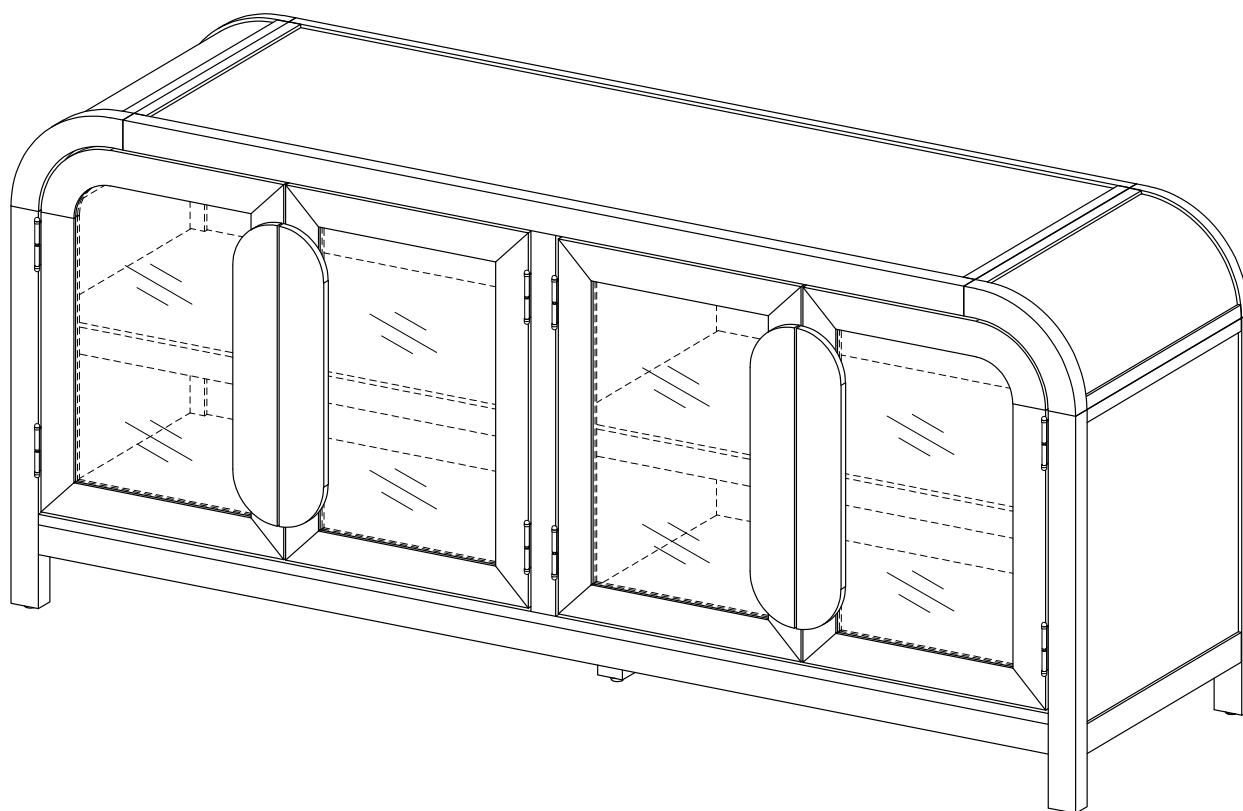
Secure the other end of the plastic strap (G) to your wall using the anchor (H) and screws (E). Now your furniture is safe and sturdy.



Warning

Serious or fatal injuries can occur from furniture tipping over. To prevent the furniture from tipping over we recommend that it is permanently fixed to the wall. Wall anchor and hardware are included with this product. Please make sure hardware is suitable for your walls before installing, as different wall materials may require different types of anchors.

Final Assembly



Congratulations on your new piece of furniture!

We would love to hear about it and see it.
Please leave us a review or post a picture with
#mywalkerredisonhome

Assembling furniture can be tricky sometimes.

Our customer service team, located in Utah, is here for product information, help assembling a product, or for any other customer support issue

Call us at **801-433-3008**

Email us at service@walkeredison.com

Visit our Customer Service website at
walkeredison.com/pages/customer-service

We are available to help Monday -Thursday 8am-5pm, Friday
8am-3pm MST

For details on Assembly Videos, Assembly Instructions,
Replacement Parts, and Customer service,
SCAN HERE



Assembling furniture can be tricky sometimes.

Our customer service team, located in Utah, is here for product information, help assembling a product, or for any other customer support issue

Call us at **801-433-3008**

Email us at service@walkeredison.com

Visit our Customer Service website at
walkeredison.com/pages/customer-service

We are available to help Monday -Thursday 8am-5pm, Friday
8am-3pm MST

For details on Assembly Videos, Assembly Instructions,
Replacement Parts, and Customer service,
SCAN HERE

