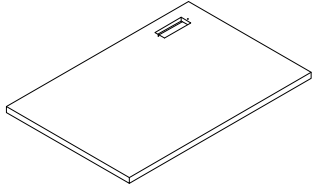


ASSEMBLY INSTRUCTION

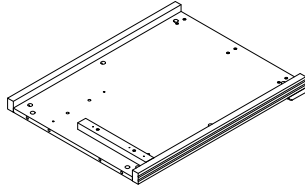
WRITING DESK WITH USB CHARGER & WIRE MANAGEMENT

A Desk Top



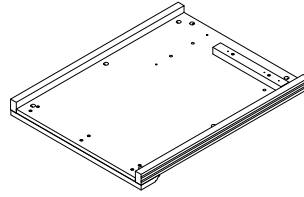
1pc

B Left Side Panel



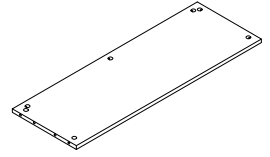
1pc

C Right Side Panel



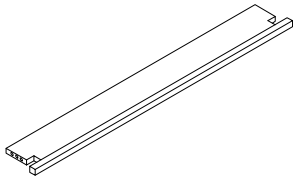
1pc

D Back Panel



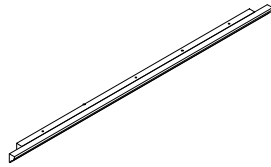
1pc

E Front Rail



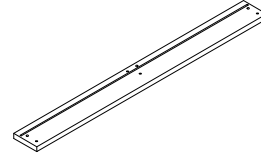
1pc

F Top Rail



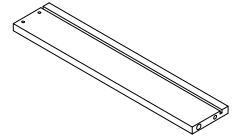
1pc

G Drawer Front Panel



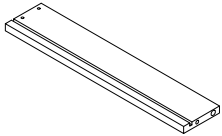
1pc

H Drawer Side Panel - L



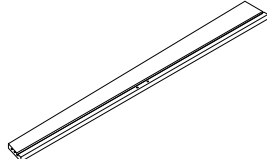
1pc

I Drawer Side Panel - R



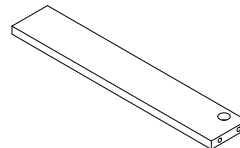
1pc

J Drawer Back Panel



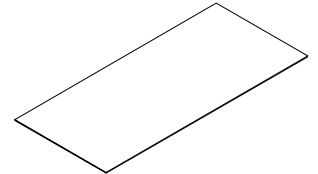
1pc

K Drawer Support Panel



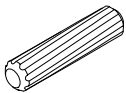
1pc

L Drawer Bottom Panel



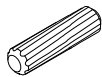
1pc

M Wood Dowel
Ø8*30mm



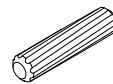
12pcs

N Wood Dowel
Ø6*20mm



2pcs

O Wood Dowel
Ø6*30mm



3pcs

P Nut
Ø15*12mm



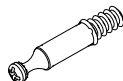
15pcs

Q Nut
Ø15*9mm



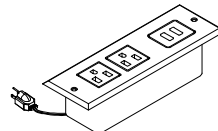
3pcs

R Blot
Ø5*25mm



18pcs

S Adaptor



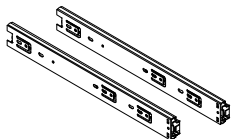
1pc

T Screw
Ø3*12mm



2pcs

U Slide Rail



1set

V Screw
Ø3.5*12mm



12pcs

W Knob



1pc

X Bolt
Ø4*22mm



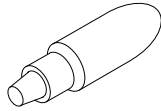
1pc

Y Screw
Ø4*30mm



9pcs

Z Glue



1pc

AA Screwdriver
(Not Provided)

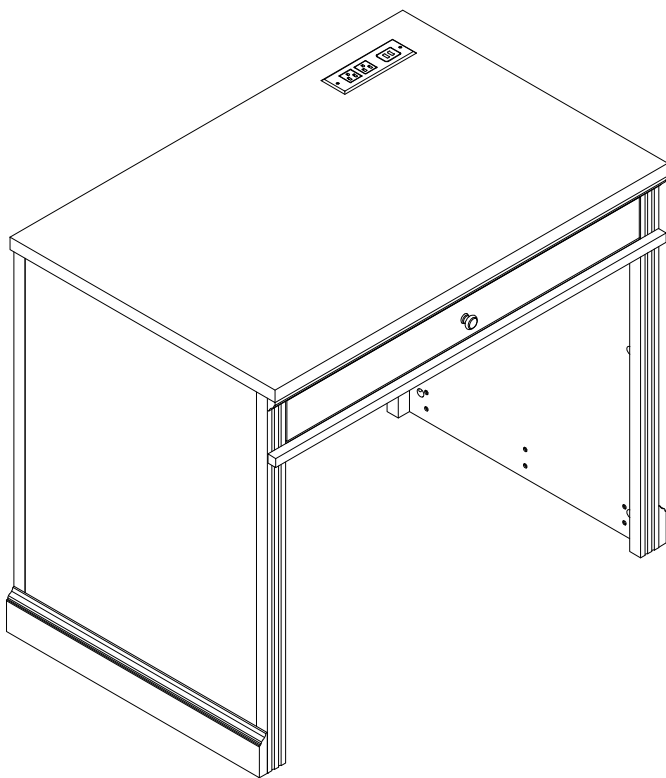


1pc

AB Anti-Tipping Kit



1set

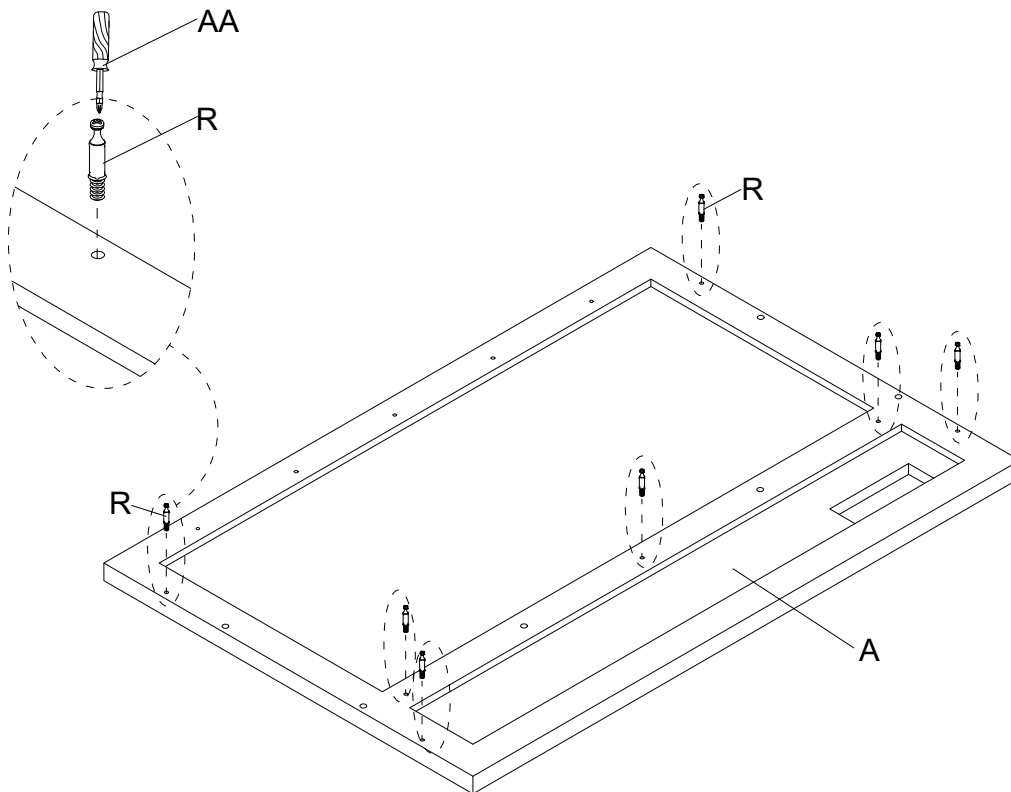


This first page and second page list all the contents included in the box. Please take the time to identify the hardware as well as the individual components to this product. As you unpack and prepare for assembly, place the contents on a carpeted or padded area to protect them from damage.

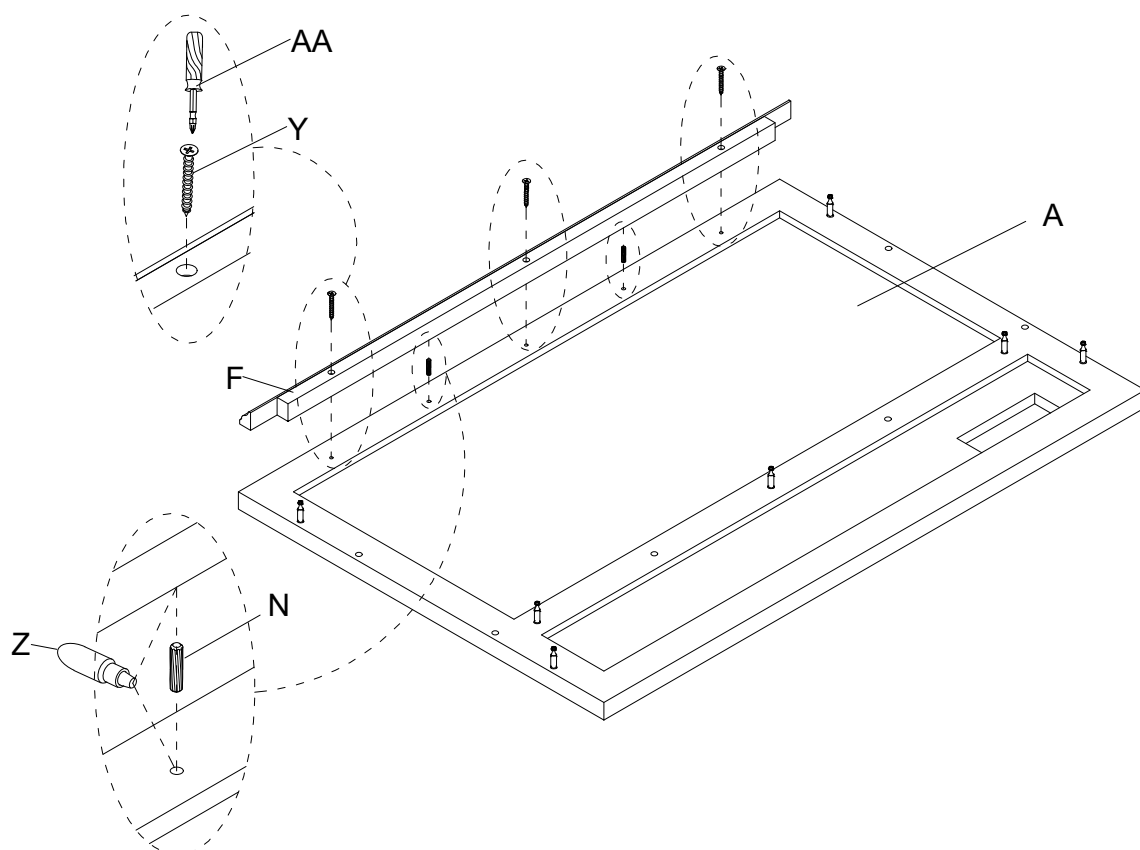
ASSEMBLY

Do not fully tighten all bolts until assembly is complete. This will help all parts to assemble properly.

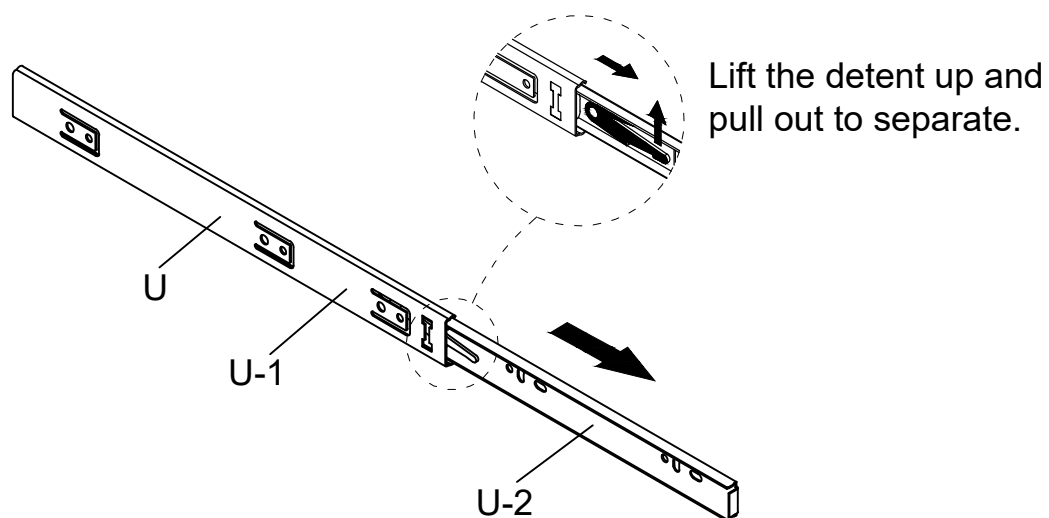
1 Insert Bolt (R) to Desk Top (A) By Screwdriver (AA) as below shown.



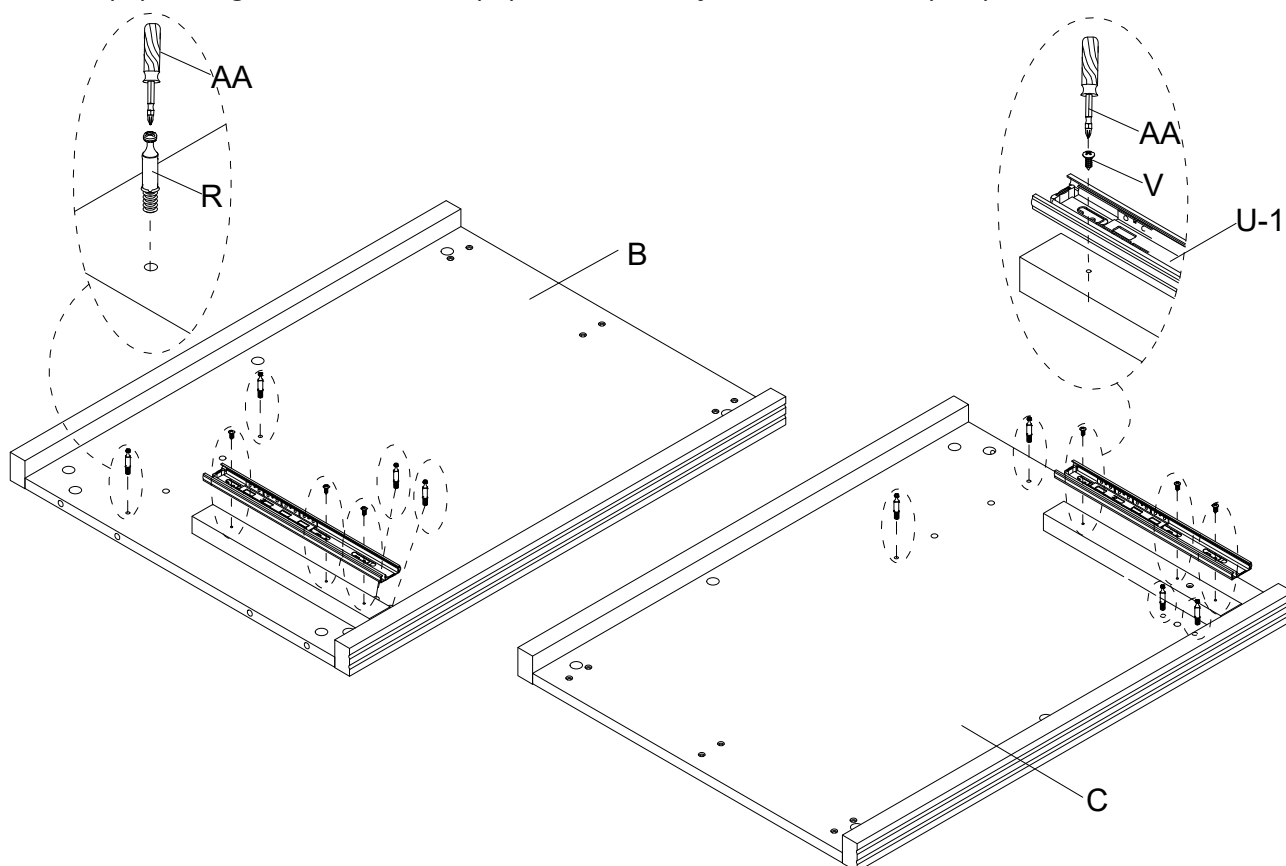
2 Assemble Top Rail (F) to Desk Top (A) by Glue (Z) & Wood Dowel (N) first, then assemble Screw (Y) By Screwdriver (AA) as below shown.



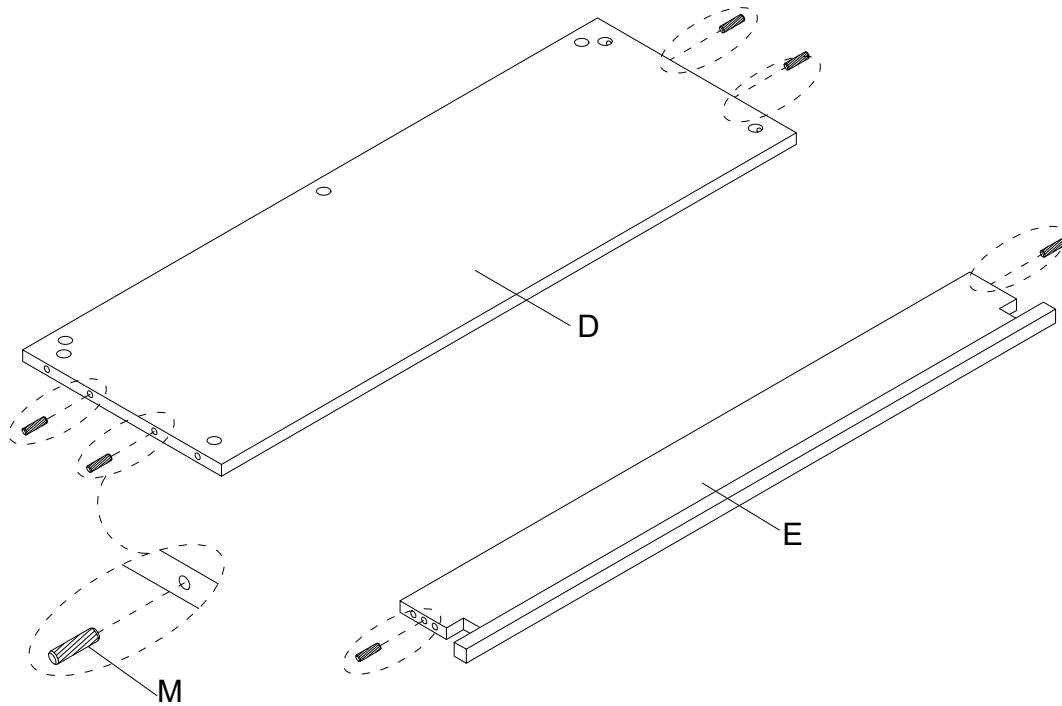
- 3** Pull out Slide Rail (U) fully extended, a hold-in detent can be seen or touched on slide runners.



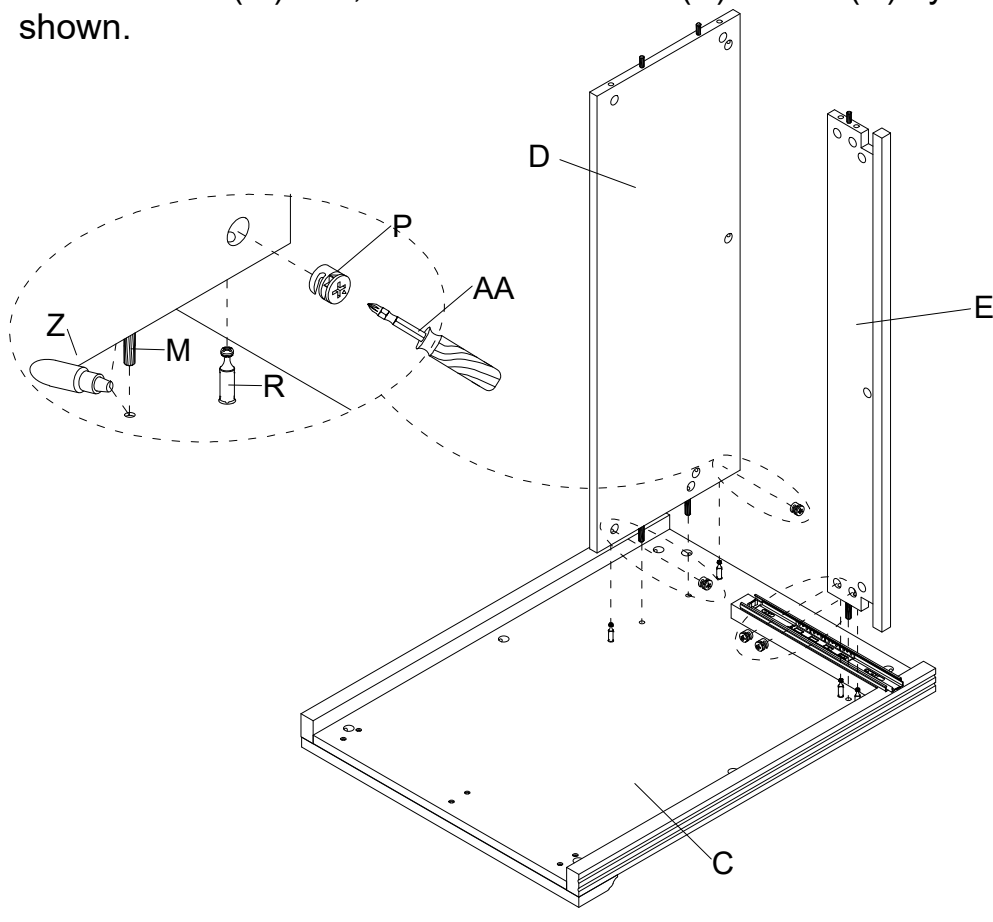
- 4** First, assemble part one of Slide Rail (U-1) to Left Side Panel (B) & Right Side Panel (C), using Screw (V) by Screwdriver (AA). Second, assemble Bolt (R) to Left Side Panel (B) & Right Side Panel (C) to fasten by Screwdriver (AA) as below shown.



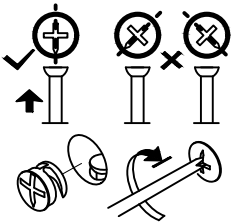
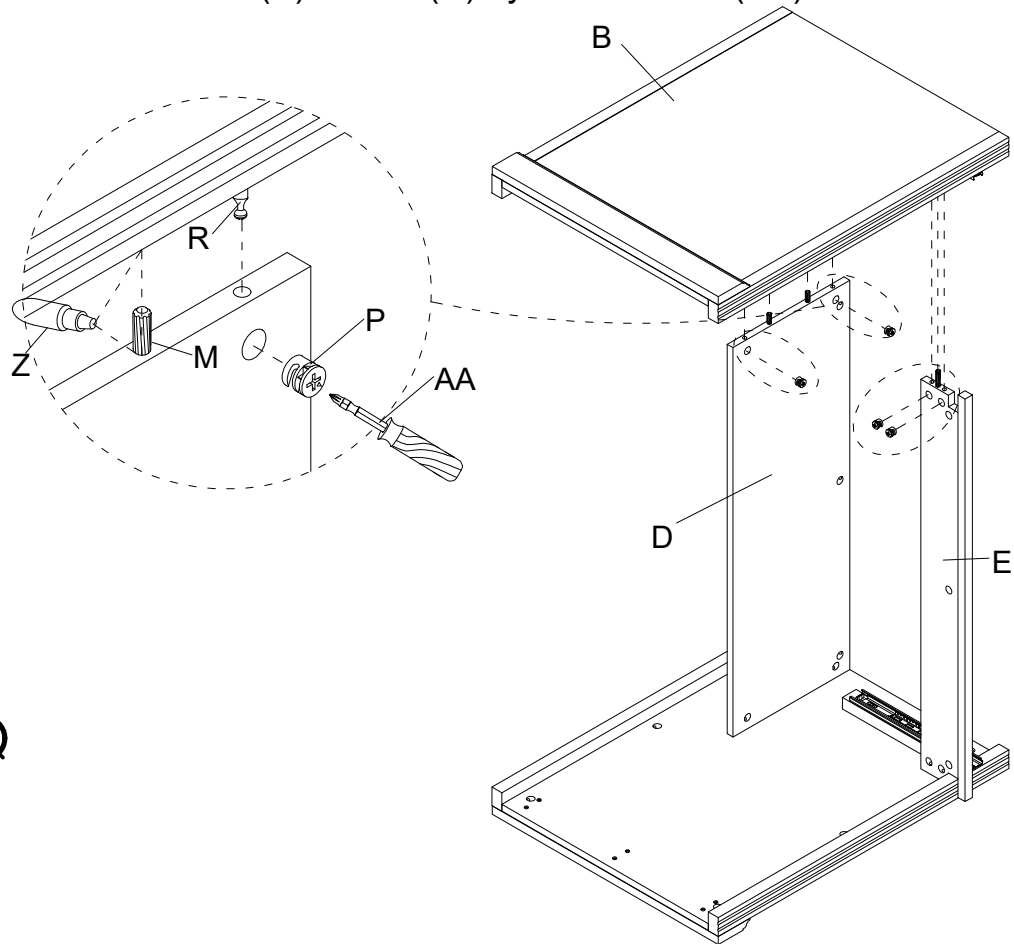
5 Insert Wood Dowel (M) to Back Panel (D) & Front Rail (E) as below shown.



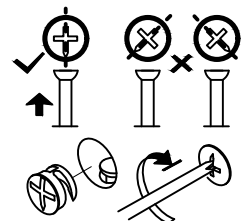
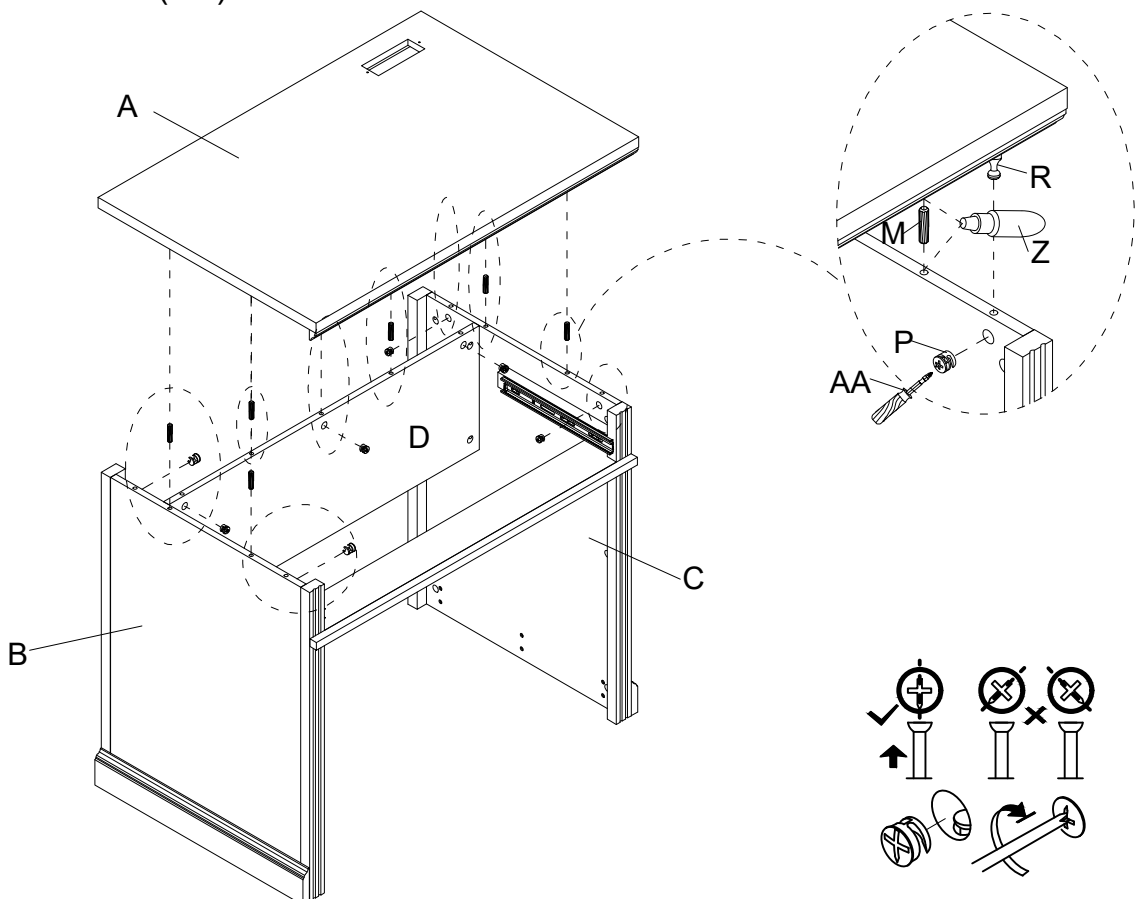
6 Assemble Back Panel (D) & Front Rail (E) to Right Side Panel (C), using Glue (Z) & Wood Dowel (M) first, then assemble Nut (P) to Bolt (R) by Screwdriver (AA) as below shown.



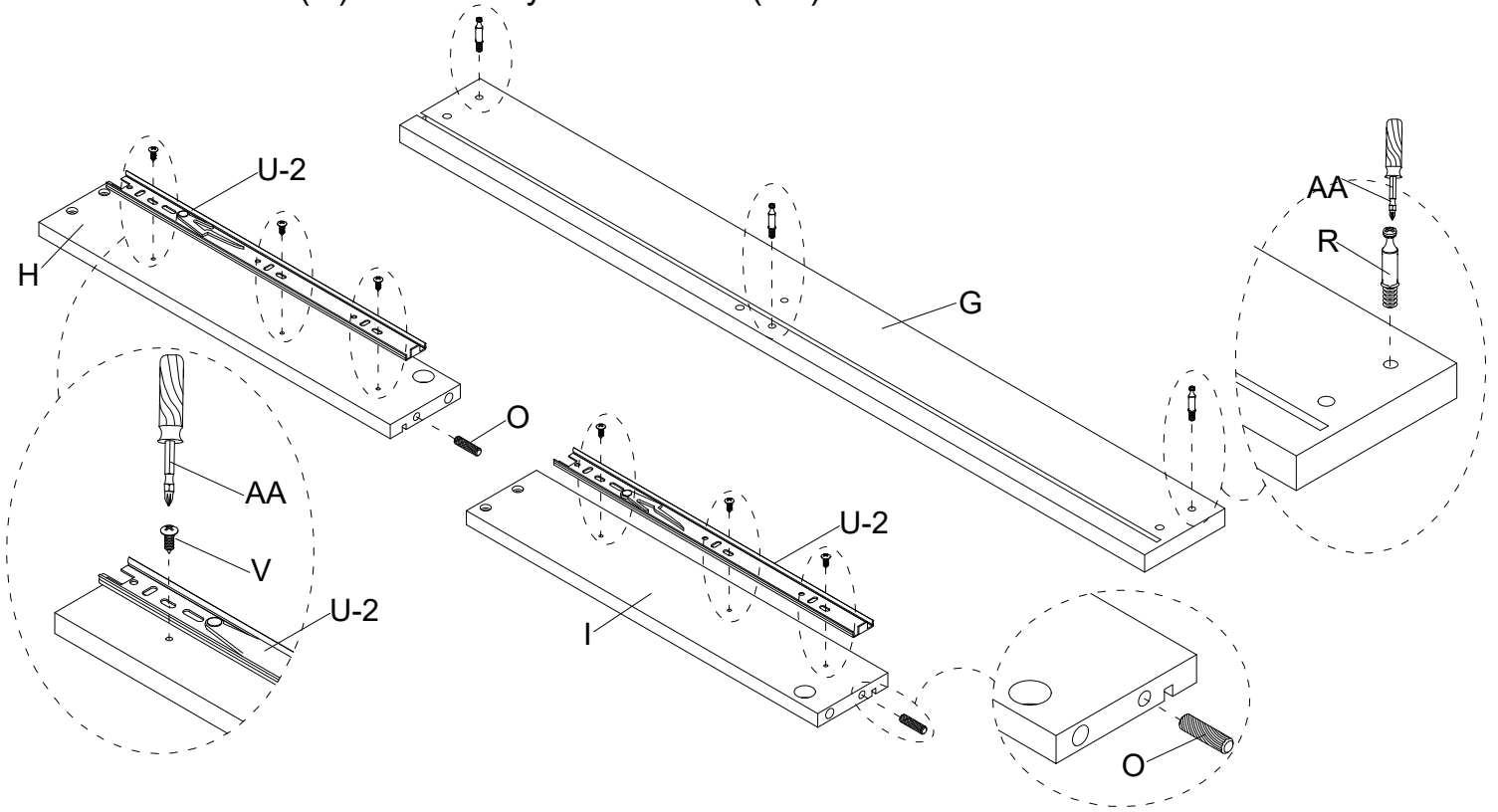
7 Assemble Back Panel (D) & Front Rail (E) to Left Side Panel (B), using Glue (Z) & Wood Dowel (M) first, then attach Nut (P) to Bolt (R) by Screwdriver (AA) as below shown.



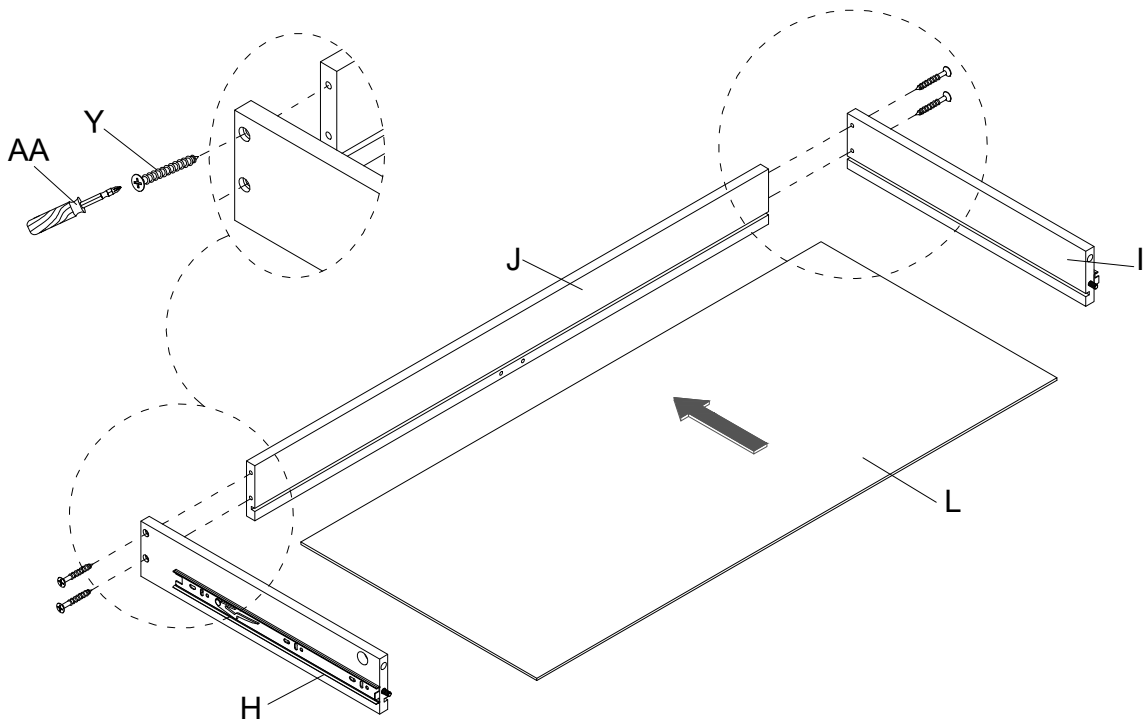
8 Assemble Desk Top (A) to pre-assembled Left Side Panel (B), Right Side Panel (C) and Back Panel (D), using Glue (Z) & Wood Dowel (M) first, then assemble Nut (P) to Bolt (R) by Screwdriver (AA) as below shown.



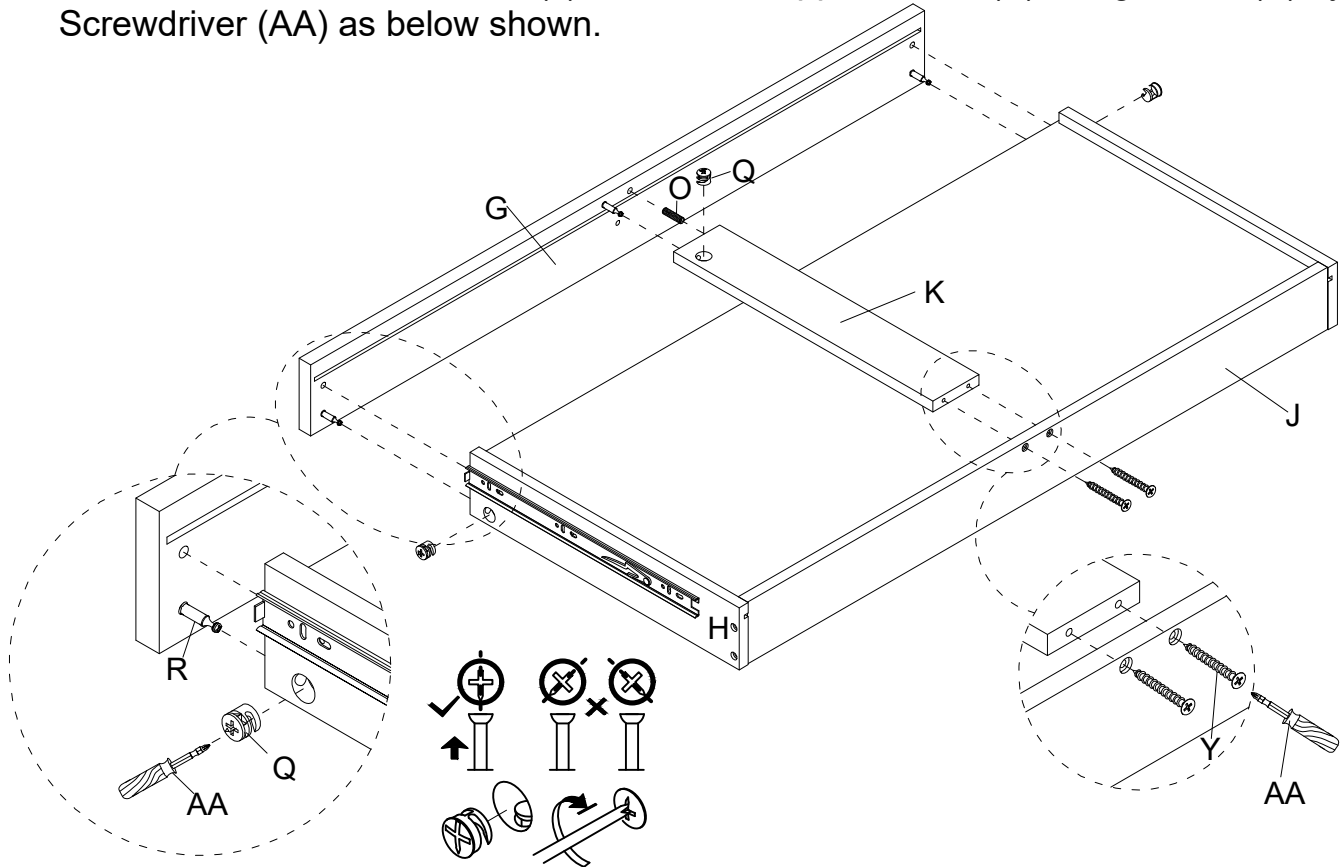
- 9** Assemble part 2 of Slide Rail (U-2) to Drawer Side Panel - L (H) and Drawer Side Panel - R (I), using Screw (V) to tighten by Screwdriver (AA). Insert Wood Dowel (O) to Drawer Side Panel - L (H) & Drawer Side Panel - R (I), assemble Bolt (R) to Drawer Front Panel (G) to fasten by Screwdriver (AA) as below shown.



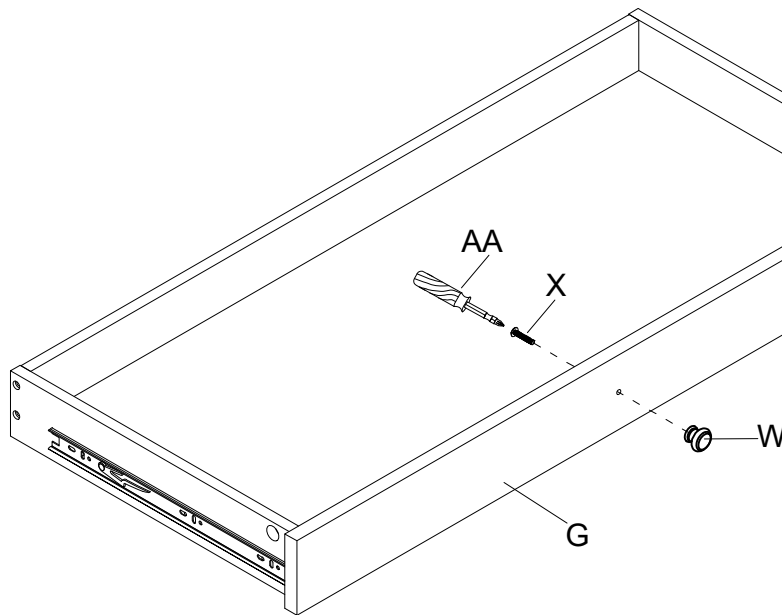
- 10** Insert Drawer Bottom Panel (L) into Drawer Side Panel - L (H), Drawer Side Panel - R (I) and Drawer Back Panel (J), then using Screw (Y) by Screwdriver (AA) to assemble Drawer Side Panel - L (H), Drawer Side Panel - R (I) with Drawer Back Panel (J) as below shown.



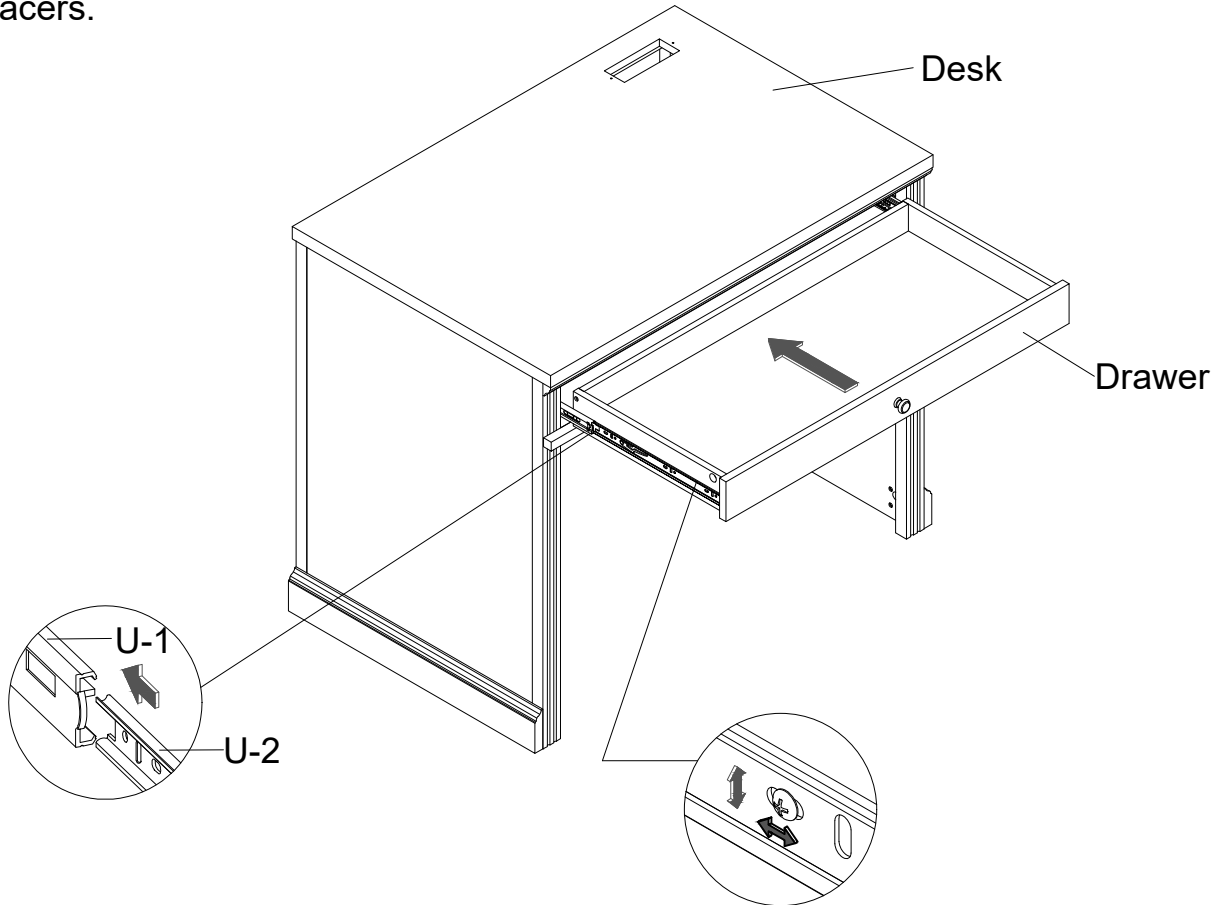
- 11** Insert Wood Dowel (O) to Drawer Support Panel (K) first, assemble Drawer Front Panel (G) to pre-assembled drawer box using Nut (Q) to Bolt (R) by Screwdriver (AA), assemble Drawer Back Panel (J) to Drawer Support Panel (K) using Screw (Y) by Screwdriver (AA) as below shown.



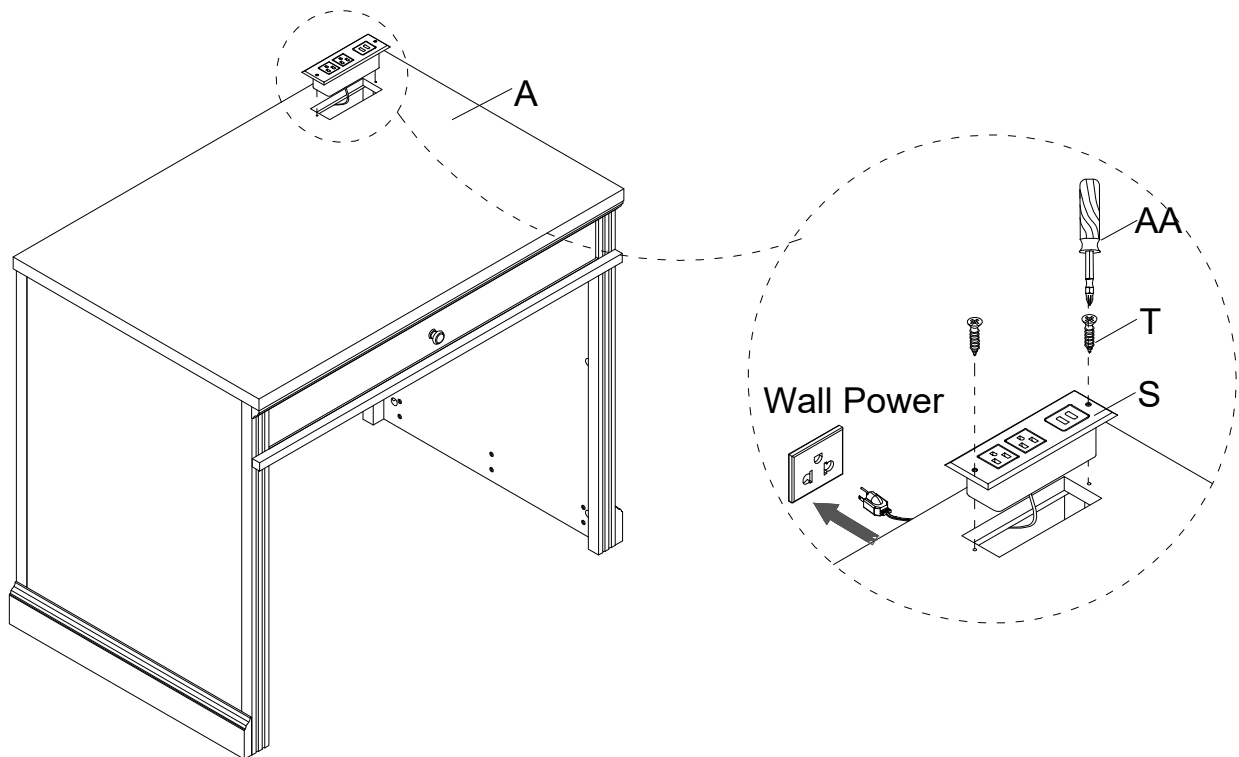
- 12** Attach Knob (W) to Drawer Front Panel (G), using Bolt (X) by Screwdriver (AA) as below shown.



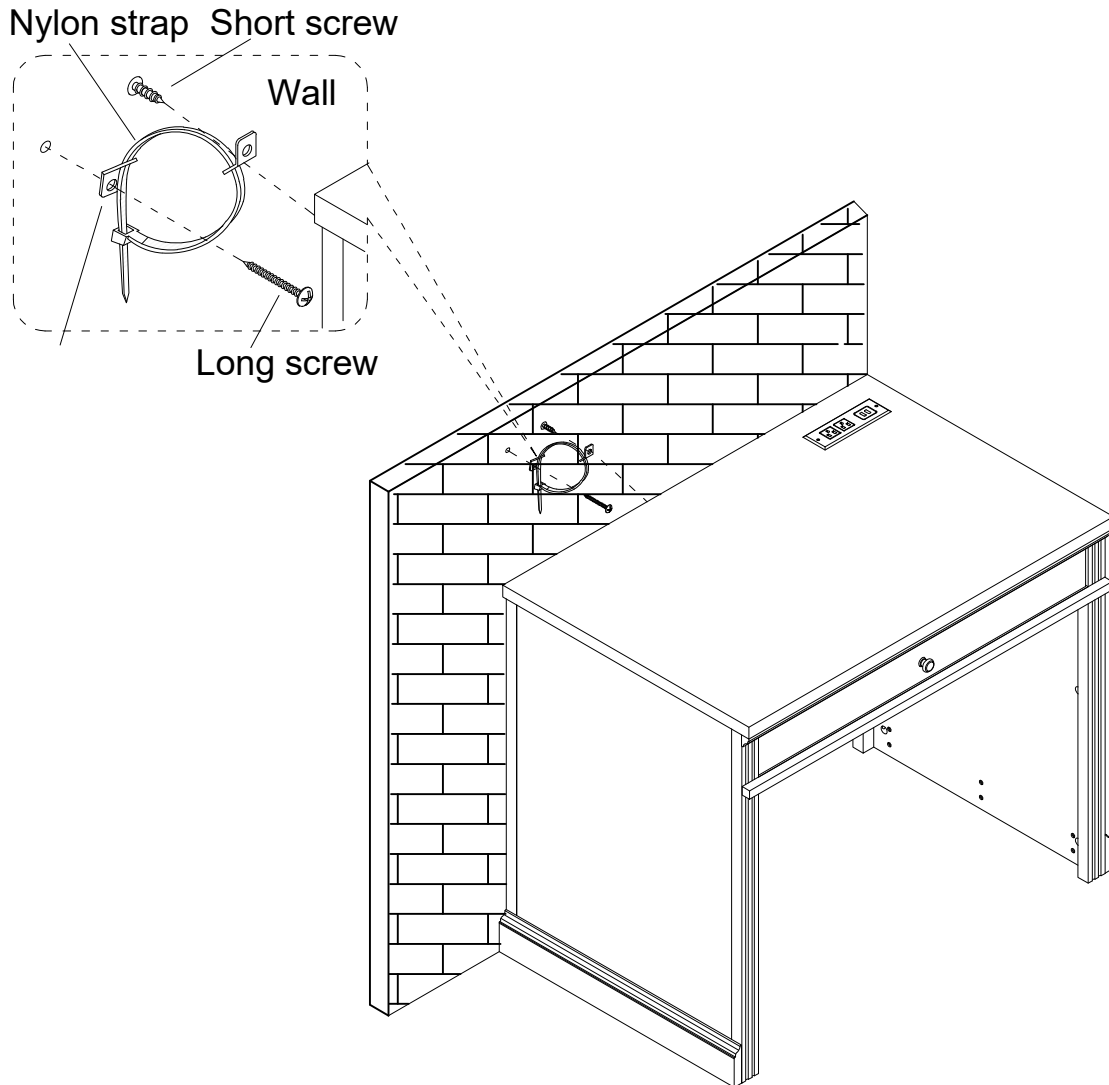
- 13** Attach the pre-assembled drawer by using Slide Rail (U) to the pre-assembled Desk. Move slide ball spacers to front. Hold drawer horizontally, and slide runners into ball spacers.



- 14** Attach Adaptor (S) to the hole of Desk Top (A), using Screw (T) by Screwdriver (AA) as below shown.



-
- 15** Remark: there is an Anti-Tipping Kit (AB) provided on the back of this product. Please read the instruction throughly and install immediately when placed in home. To prevent tip over, the product must be attached to wall.



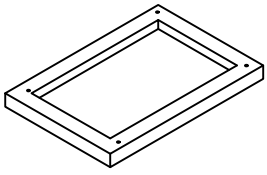
Cleaning & Care

Treat surface with care. Surface is resistant to scratches but is not scratch resistant. Clean surfaces with a dry or damp soft cloth. Do not use abrasive cleaners. Hardware may loosen over time. Periodically check that all connections are tight.

ASSEMBLY INSTRUCTION

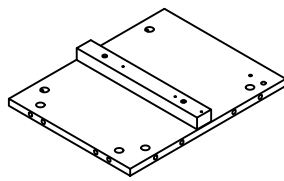
BOOKCASE

A Top Frame



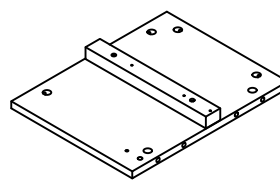
1pc

B Left Side Panel



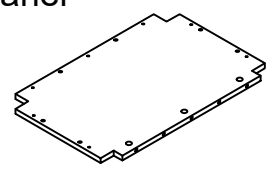
1pc

C Right Side Panel



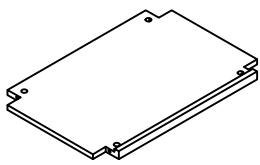
1pc

D Drawer Box Top Panel



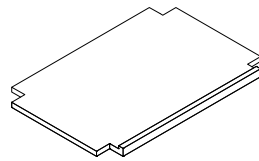
1pc

E Middle Shelf



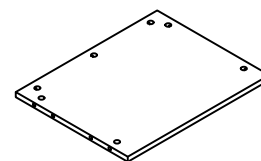
1pc

F Adjustable Shelf



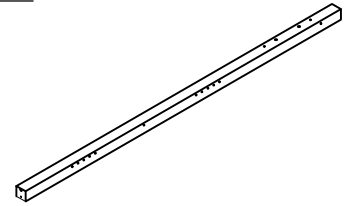
2pcs

G Back Panel



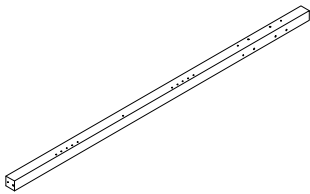
1pc

H Front Post - L



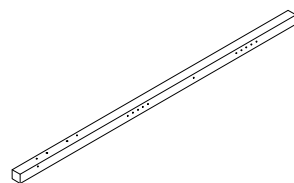
1pc

I Back Post - L



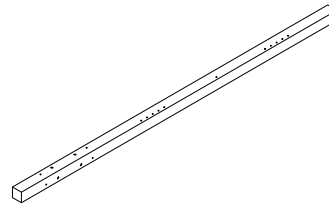
1pc

J Front Post - R



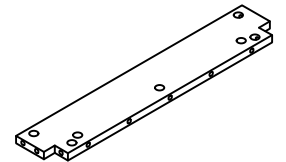
1pc

K Back Post - R



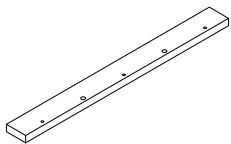
1pc

L Bottom Panel



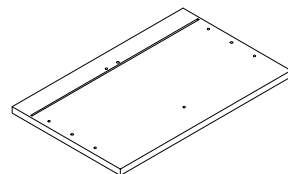
1pc

M Drawer Upper and Bottom Panel



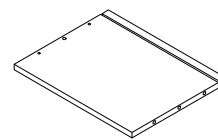
2pcs

N Drawer Front Panel



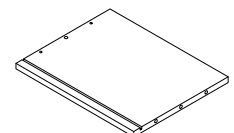
1pc

O Drawer Side panel - L



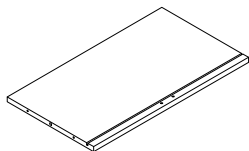
1pc

P Drawer Side Panel - R



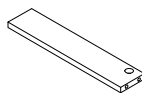
1pc

Q Drawer Back Panel



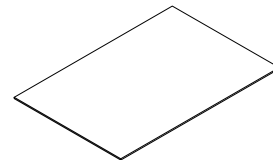
1pc

R Drawer Support Panel



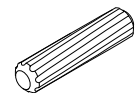
1pc

S Drawer Bottom Panel



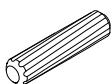
1pc

T Wood Dowel
Ø8*30mm



28pcs

U Wood Dowel
Ø6*30mm



5pcs

V Nut
Ø15*12mm



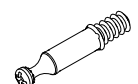
33pcs

W Nut
Ø15*9mm

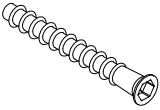
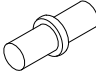
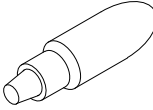
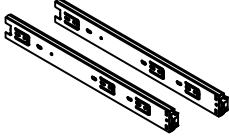


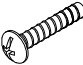

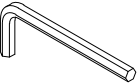
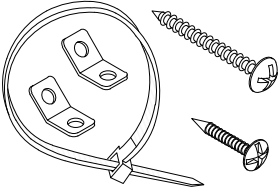



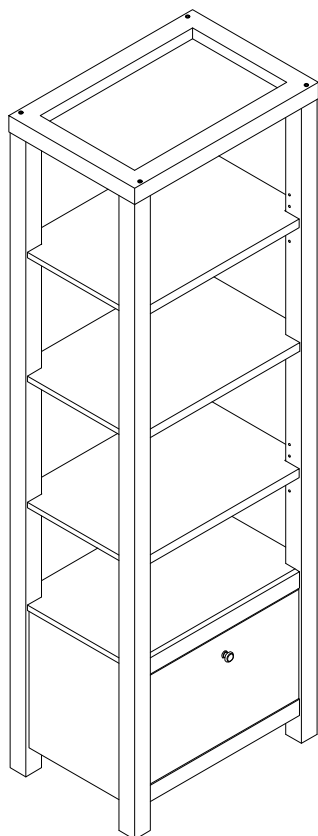
5pcs

X Bolt
Ø5*25mm



38pcs

Y Screw Ø6*50mm 	Z Shelf Pin Ø5*16mm 	AA Glue 	AB Slide Rail 
4pcs	8pcs	1pc	1set
AC Screw Ø3.5*12mm 	AD Knob 	AE Bolt Ø4*22mm 	AF Screw Ø4*30mm 
12pcs	1pc	1pc	6pcs
AG Allen Key M4 	AH Anti-Tipping Kit 	AI Screwdriver (Not Provided) 	
1pc	2 sets	1pc	

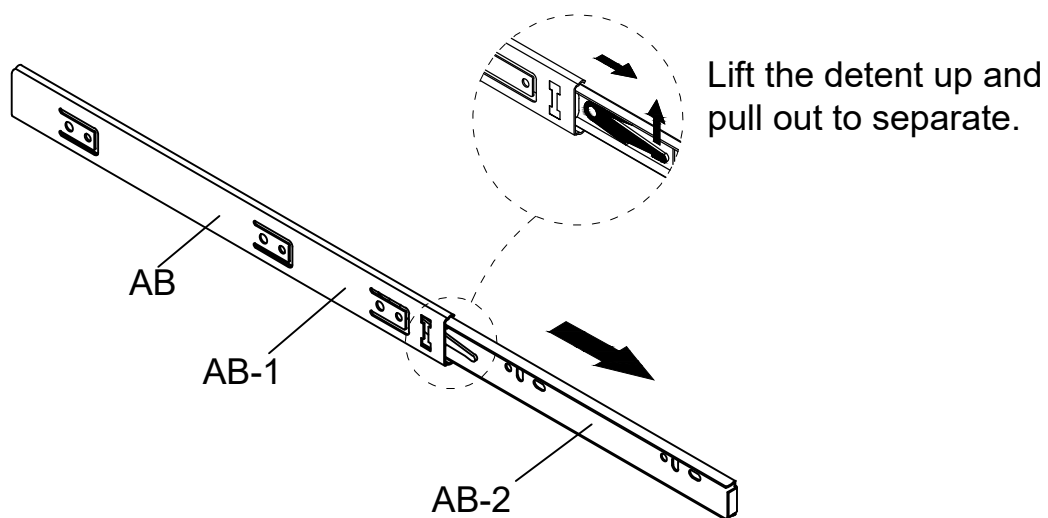


This first page and second page list all the contents included in the box. Please take the time to identify the hardware as well as the individual components to this product. As you unpack and prepare for assembly, place the contents on a carpeted or padded area to protect them from damage.

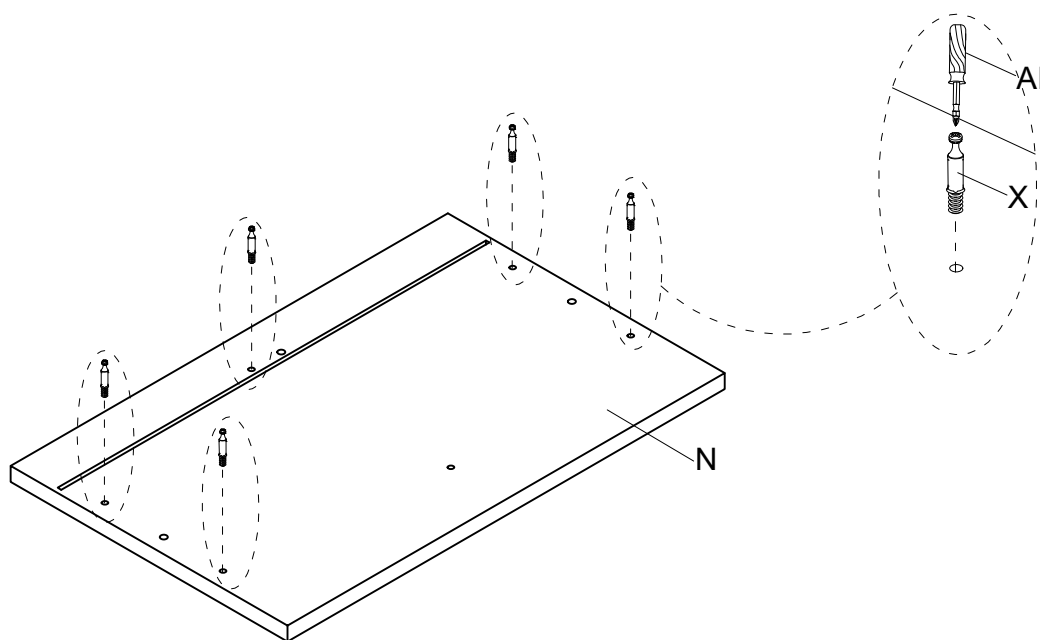
ASSEMBLY

Do not fully tighten all bolts until assembly is complete. This will help all parts to assemble properly.

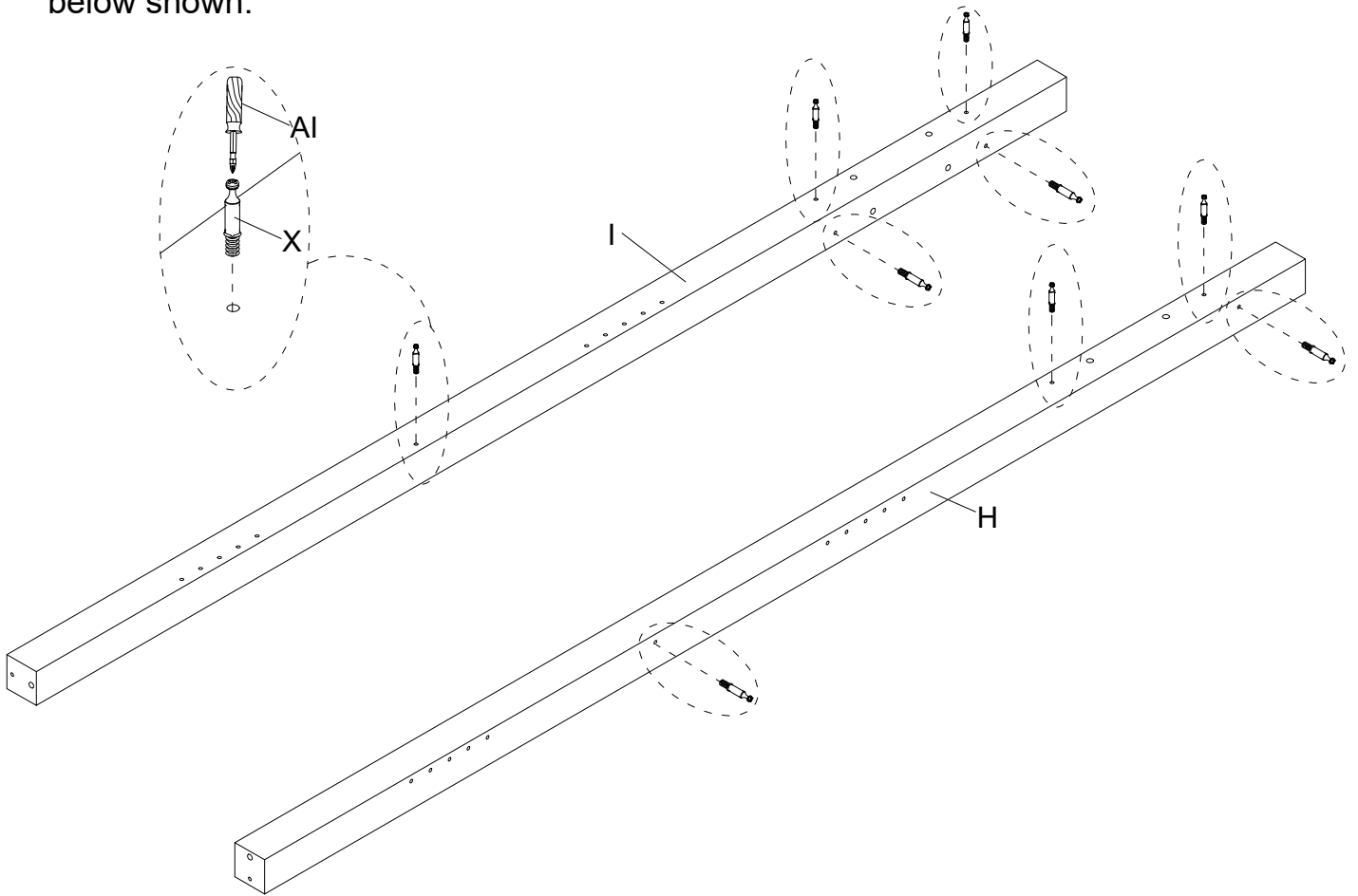
1 Pull out Slide Rail (AB) fully extended, a hold-in detent can be seen or touched on slide runners.



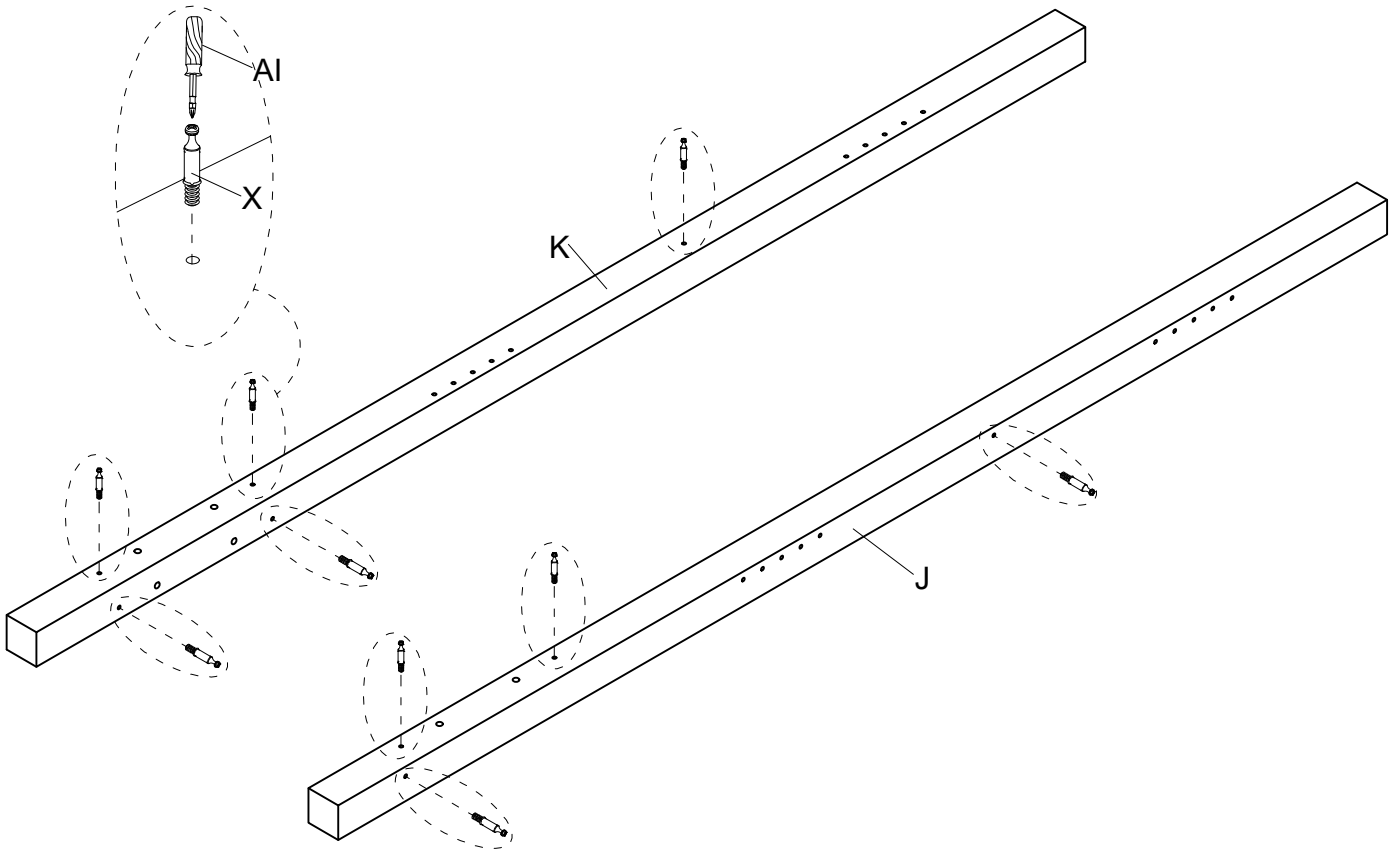
2 Insert Bolt (X) into Drawer Front Panel (N) by Screwdriver (AI) as below shown.



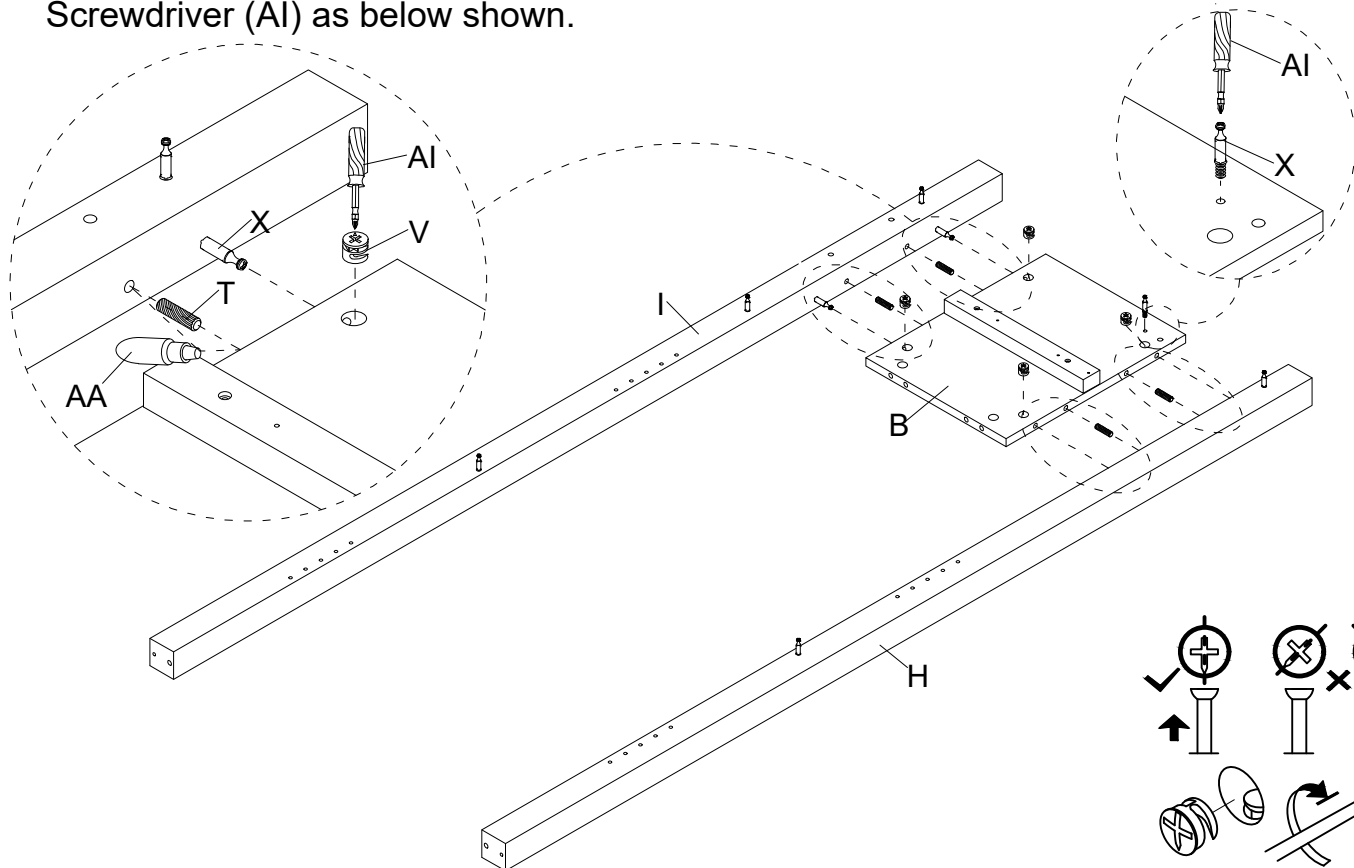
3 Insert Bolt (X) to Front Post - L (H) and Back Post - L (I) by Screwdriver (AI) as below shown.



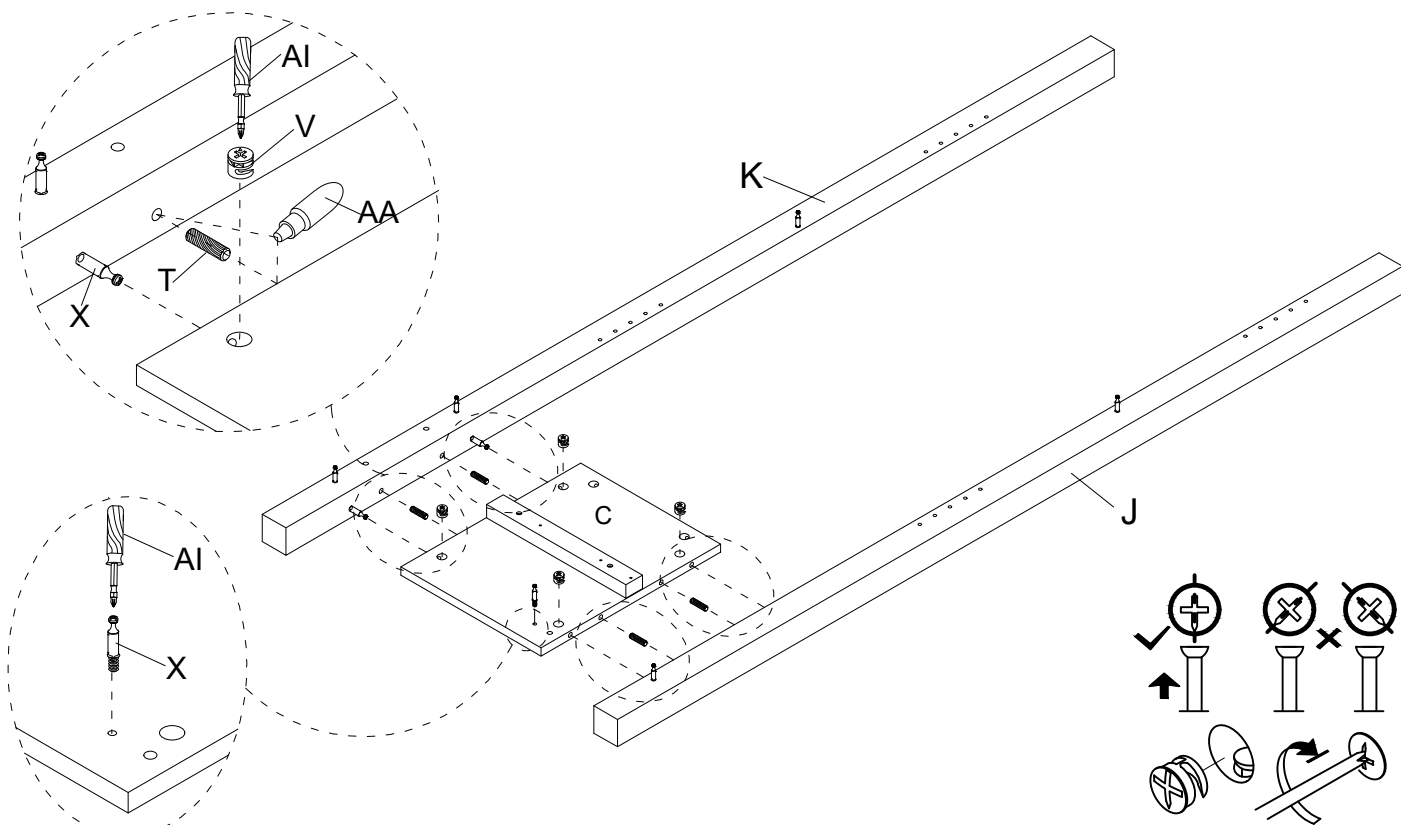
4 Insert Bolt (X) to Front Post - R (J) and Back Post - R (K) by Screwdriver (AI) as below shown.



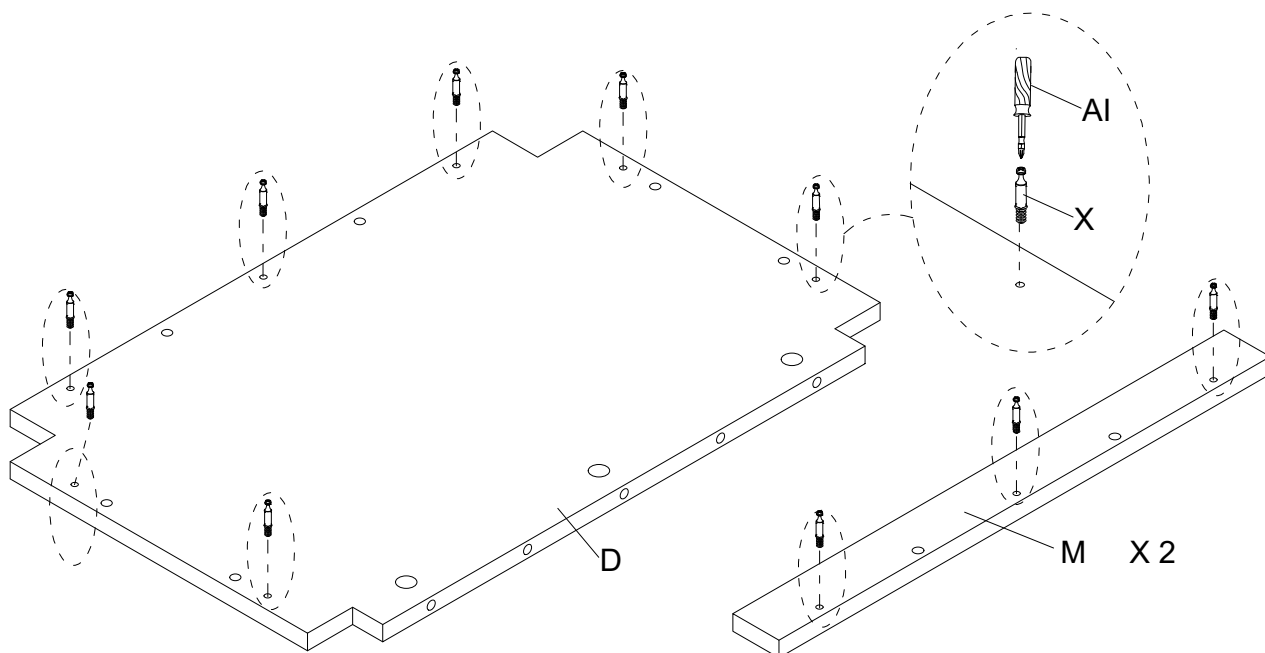
5 First, assemble Left Side Panel (B) to Front Post - L (H) and Back Post - L (I) using Glue (AA) & Wood Dowel (T). Second, assemble Nut (V) to Left Side Panel (B) to fasten by Screwdriver (AI). Third, assemble Bolt (X) to Left Side Panel (B) by Screwdriver (AI) as below shown.



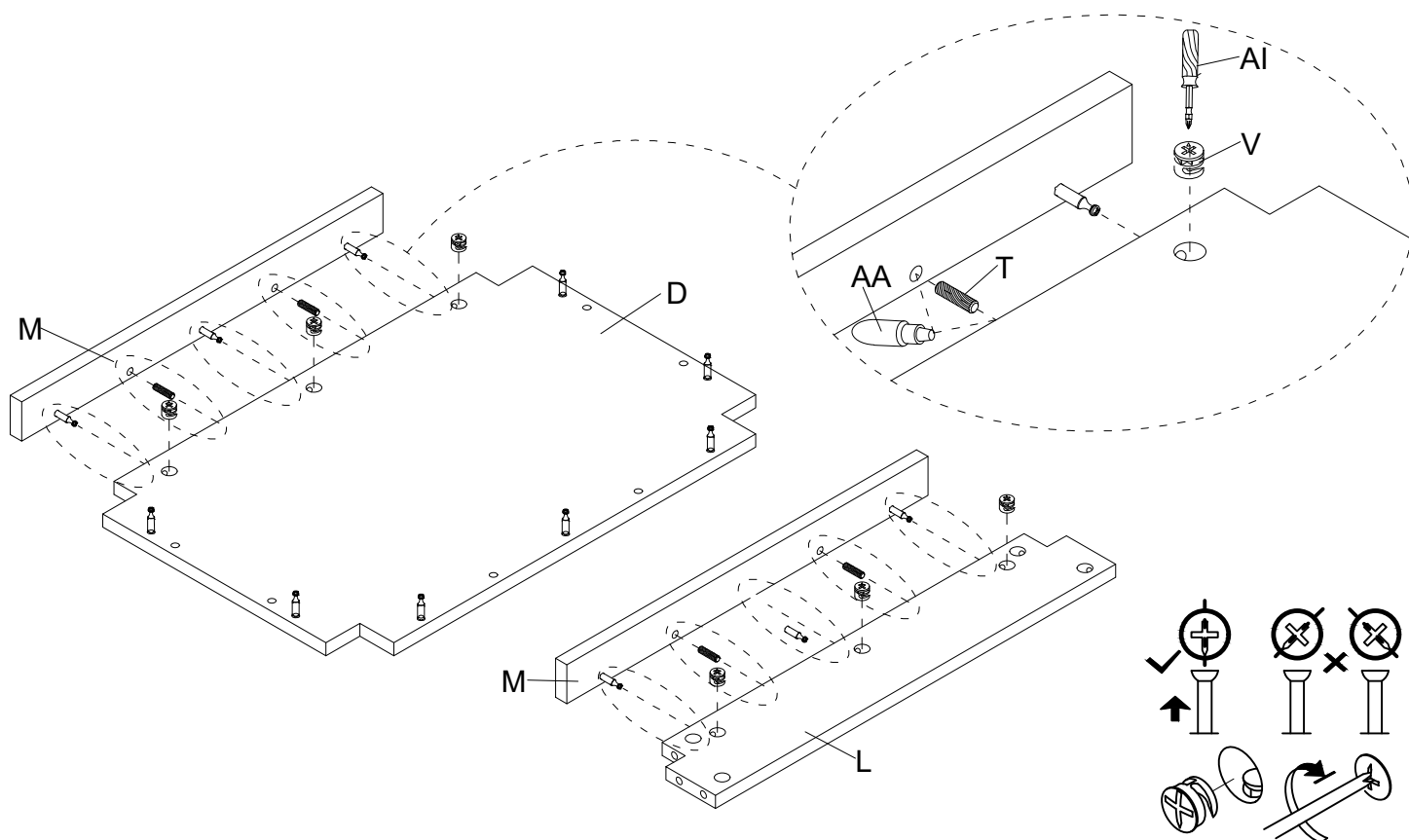
6 First, assemble Right Side Panel (C) to Front Post - R (J) and Back Post - R (K) by Glue (AA) & Wood Dowel (T). Second, assemble Nut (V) to Right Side Panel (C) to fasten by Screwdriver (AI). Third, assemble Bolt (X) to Right Side Panel (C) by Screwdriver (AI) as below shown.



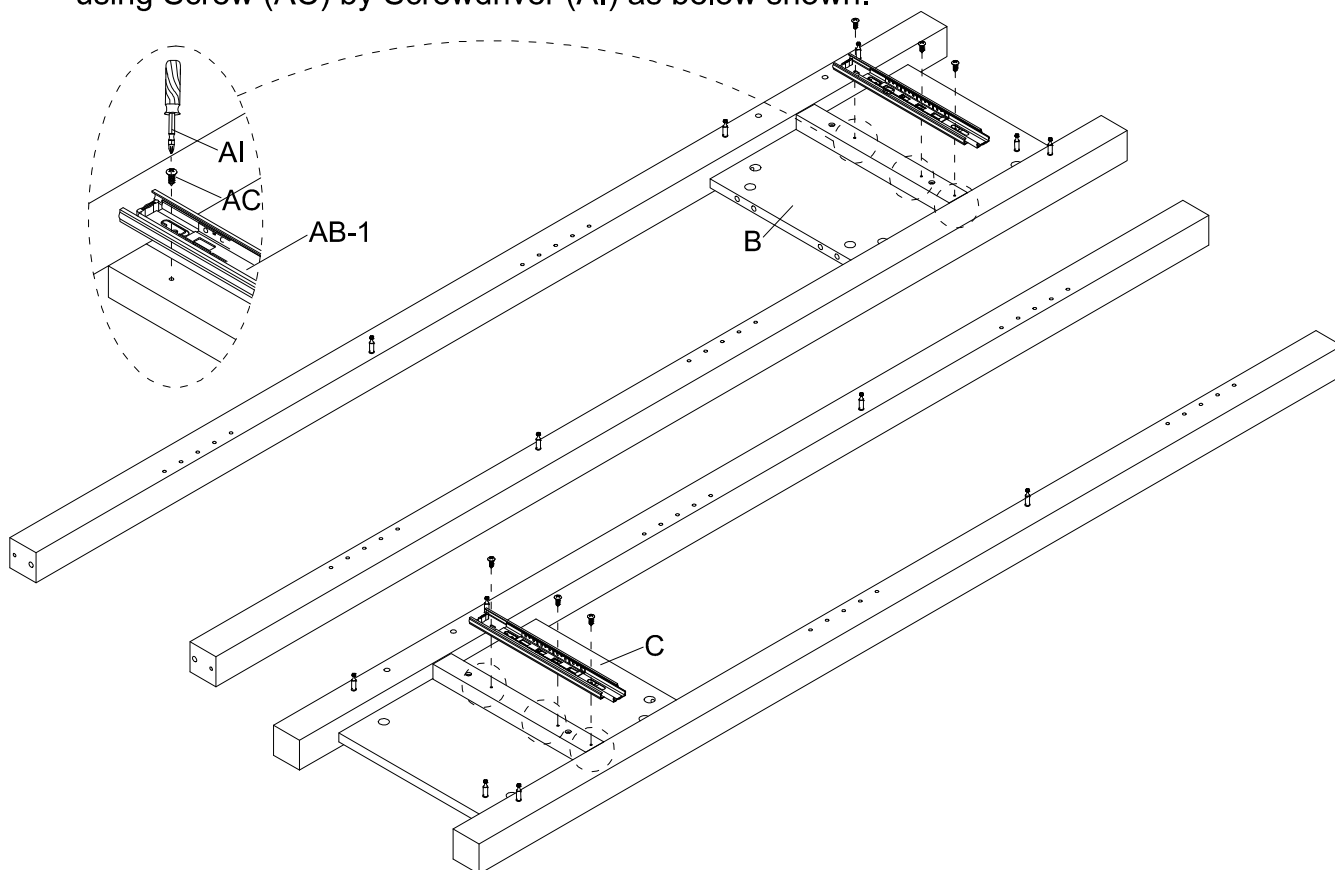
7 Insert Bolt (X) into Drawer Box Top Panel (D) & Drawer Upper and Bottom Panel (M) to fasten by Screwdriver (AI) as below shown.



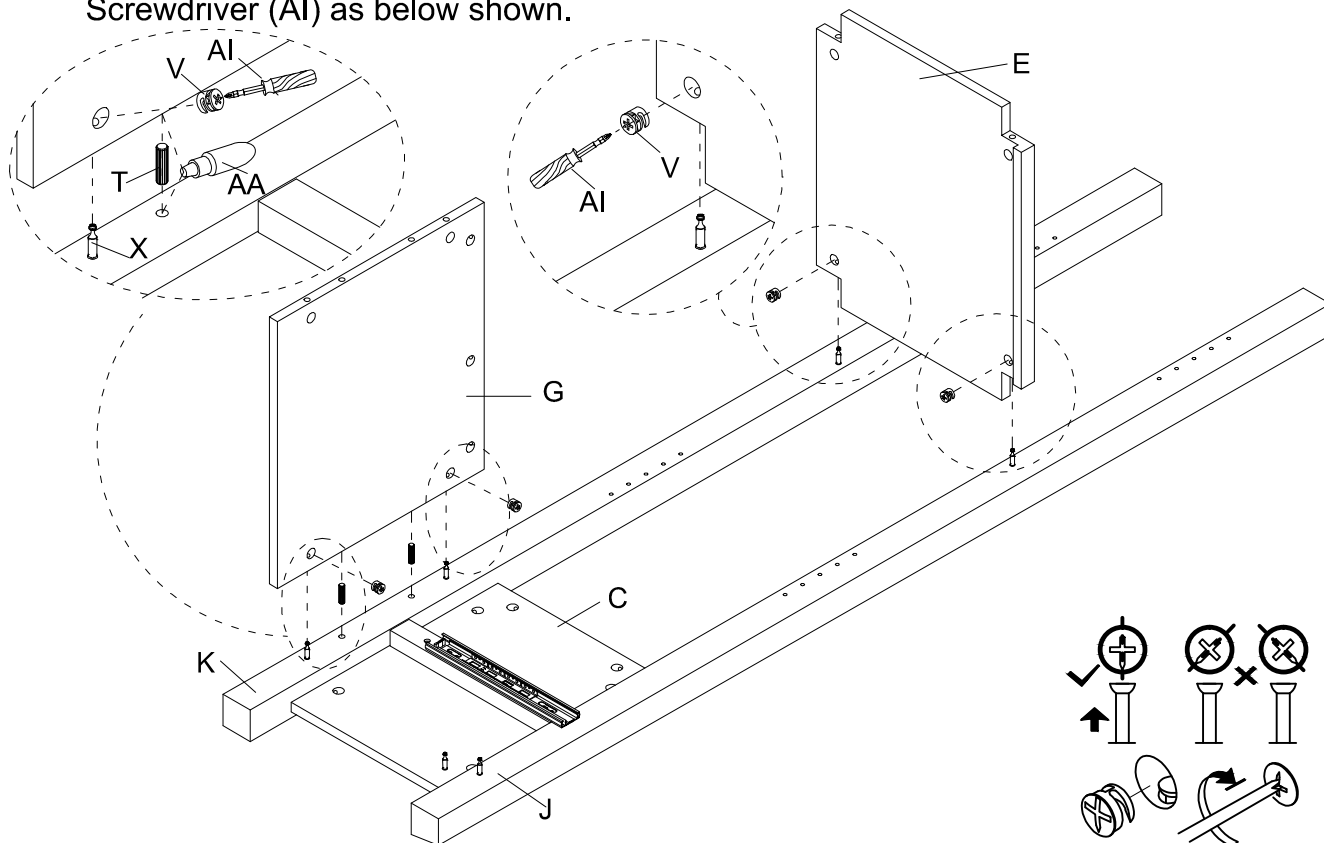
8 First, assemble Drawer Upper and Bottom Panel (M) to Drawer Box Top Panel (D) and Bottom Panel (L) by Glue (AA) & Wood Dowel (T). Second, assemble Nut (V) to Drawer Box Top Panel (D) and Bottom Panel (L) to fasten by Screwdriver (AI) as below shown.



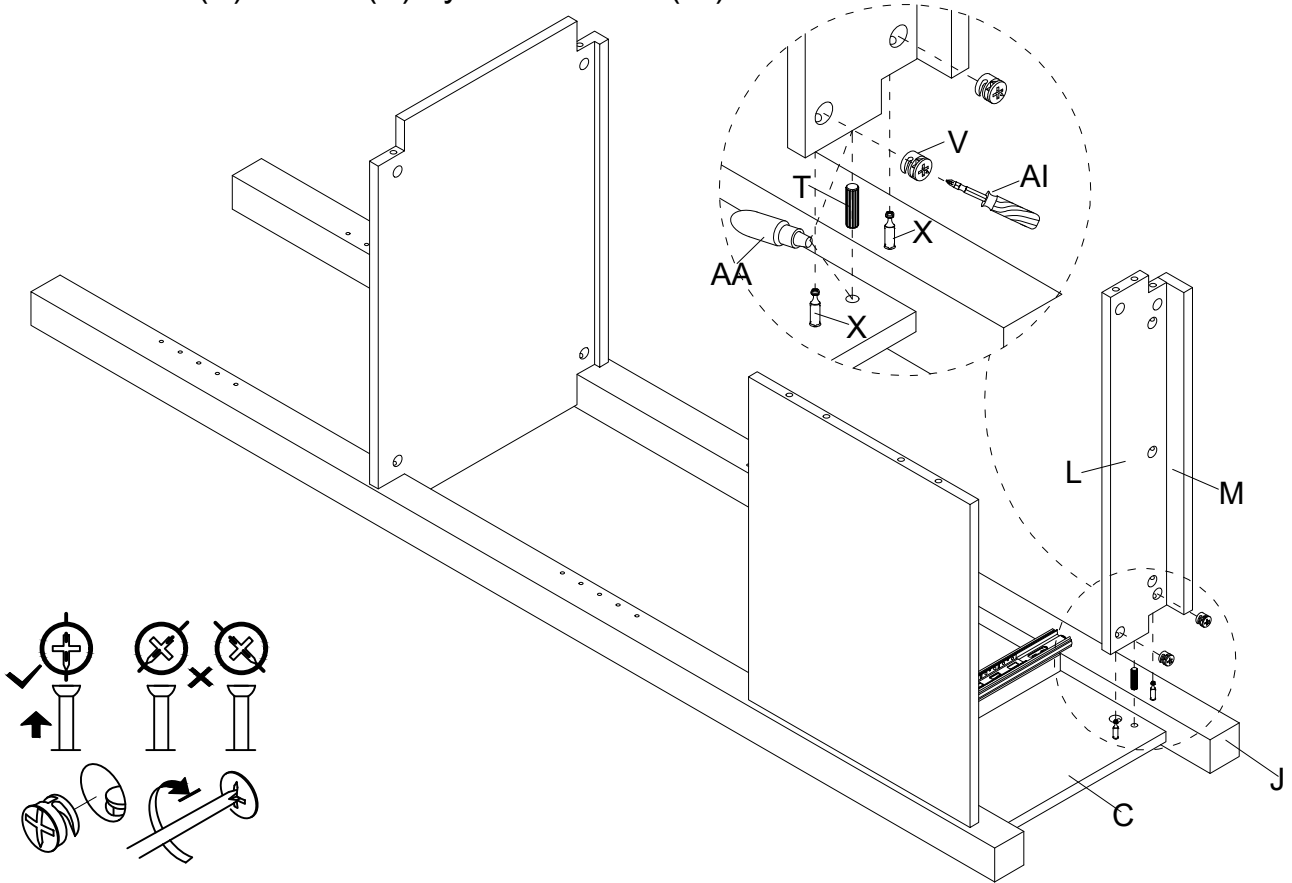
9 Assemble part one of Slide Rail (AB-1) to Left Side Panel (B) and Right Side Panel (C), using Screw (AC) by Screwdriver (AI) as below shown.



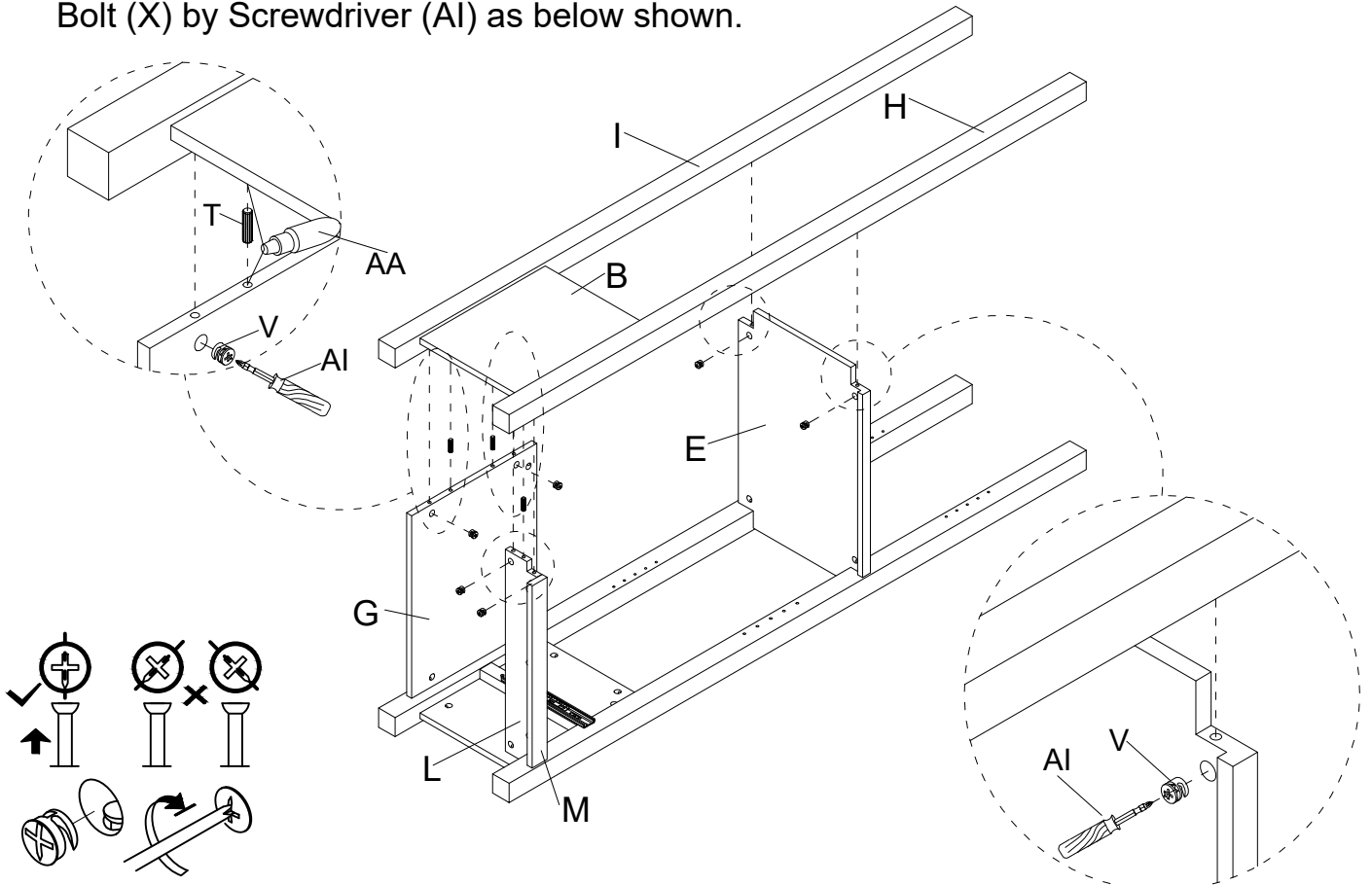
10 Assemble Back Panel (G) and Middle Shelf (E) to pre-assembled Front Post - R (J) and Back Post - R (K), using Glue (AA) & Wood (T) first, then attach Nut (V) to Bolt (X) by Screwdriver (AI) as below shown.



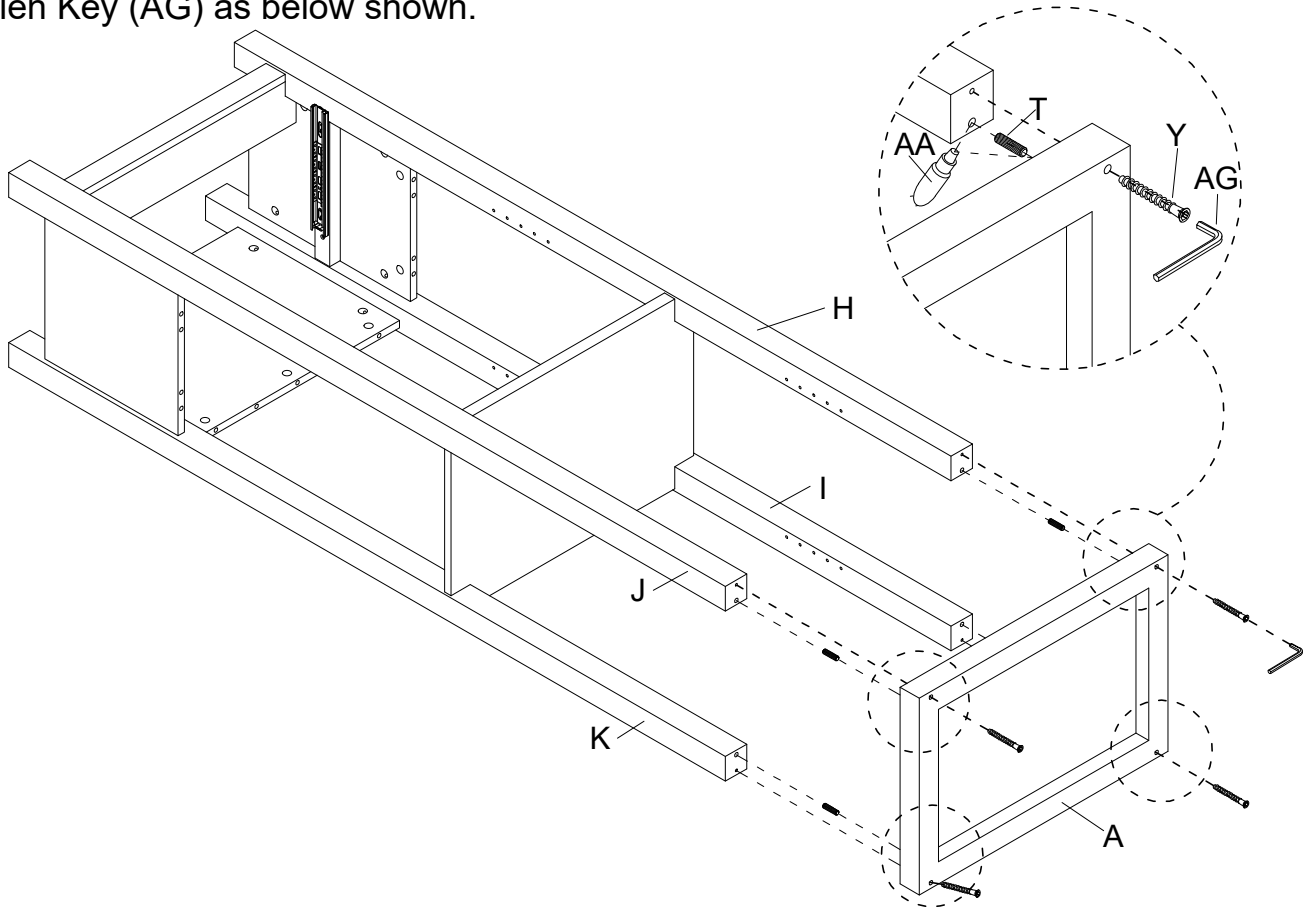
- 11** Assemble pre-assembled Bottom Panel (L) & Drawer Upper and Bottom Panel (M) to Front Post - R (J) and Right Side Panel (C), using Glue(AA) & Wood (T) first, then attach Nut (V) to Bolt (X) by Screwdriver (AI) as below shown.



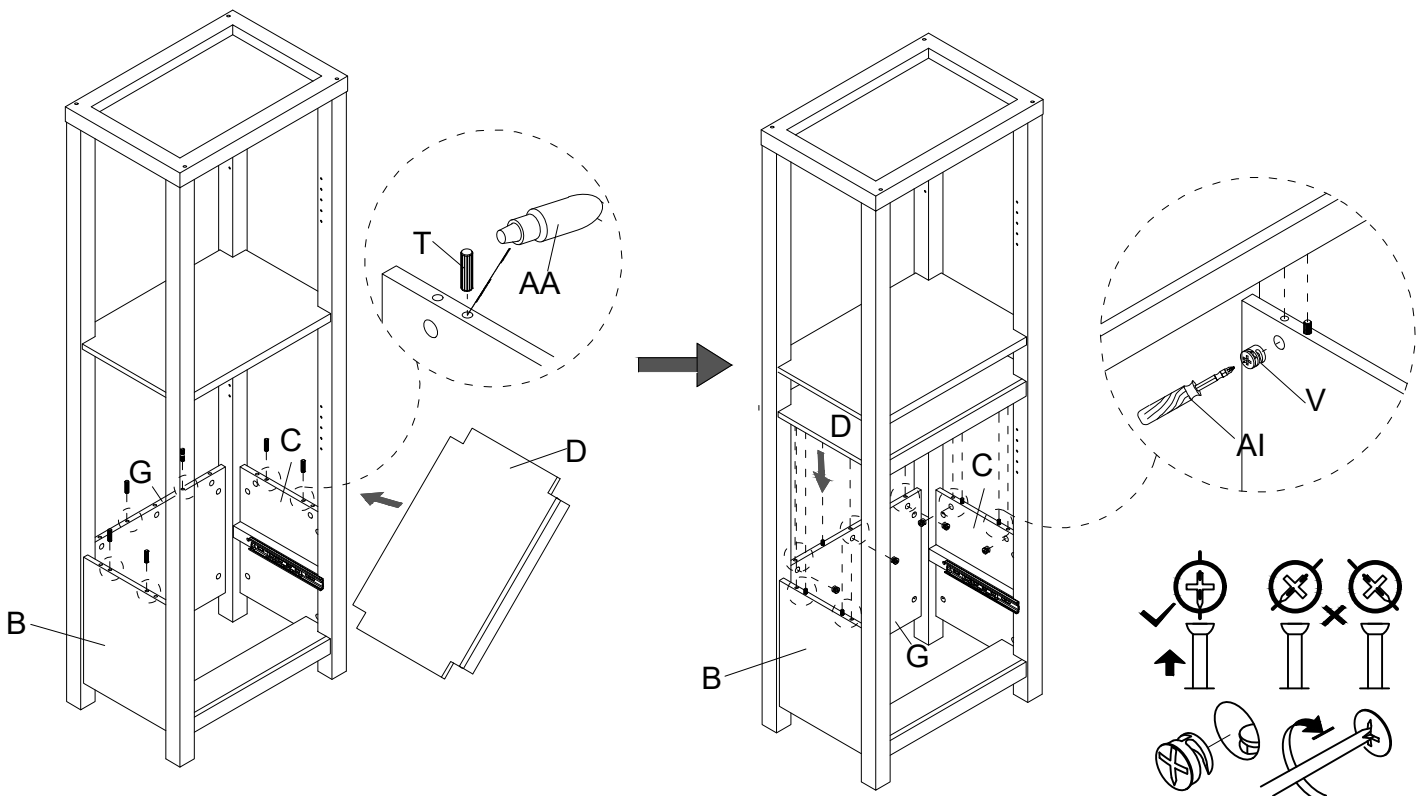
- 12** Assemble Front Post - L (H) & Back Post - L (I) and Left Side Panel (B) to pre-assembled Middle Shelf (E), Back Panel (G), Bottom Panel (L) & Drawer Upper and Bottom Panel (M), using Glue (AA) & Wood Dowel (T) first, then attach Nut (V) to Bolt (X) by Screwdriver (AI) as below shown.



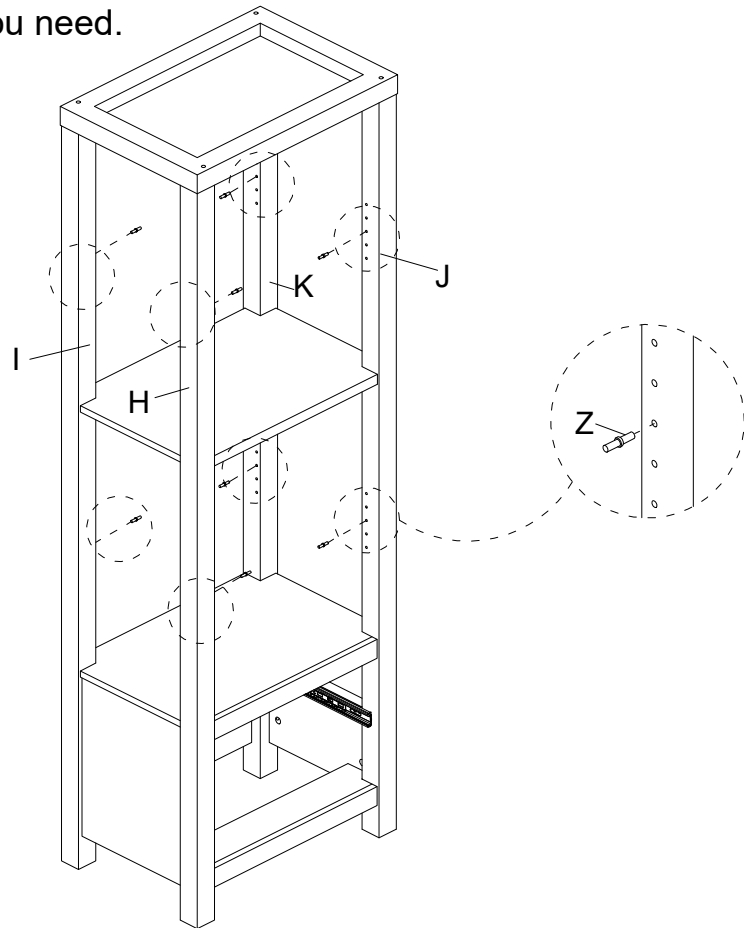
13 Assemble Top Frame (A) to pre-assembled Front Post - L (H), Back Post - L (I), Front Post - R (J) and Back Post - R (K), using Wood Dowel (T), Glue (AA) and Screw (Y) by Allen Key (AG) as below shown.



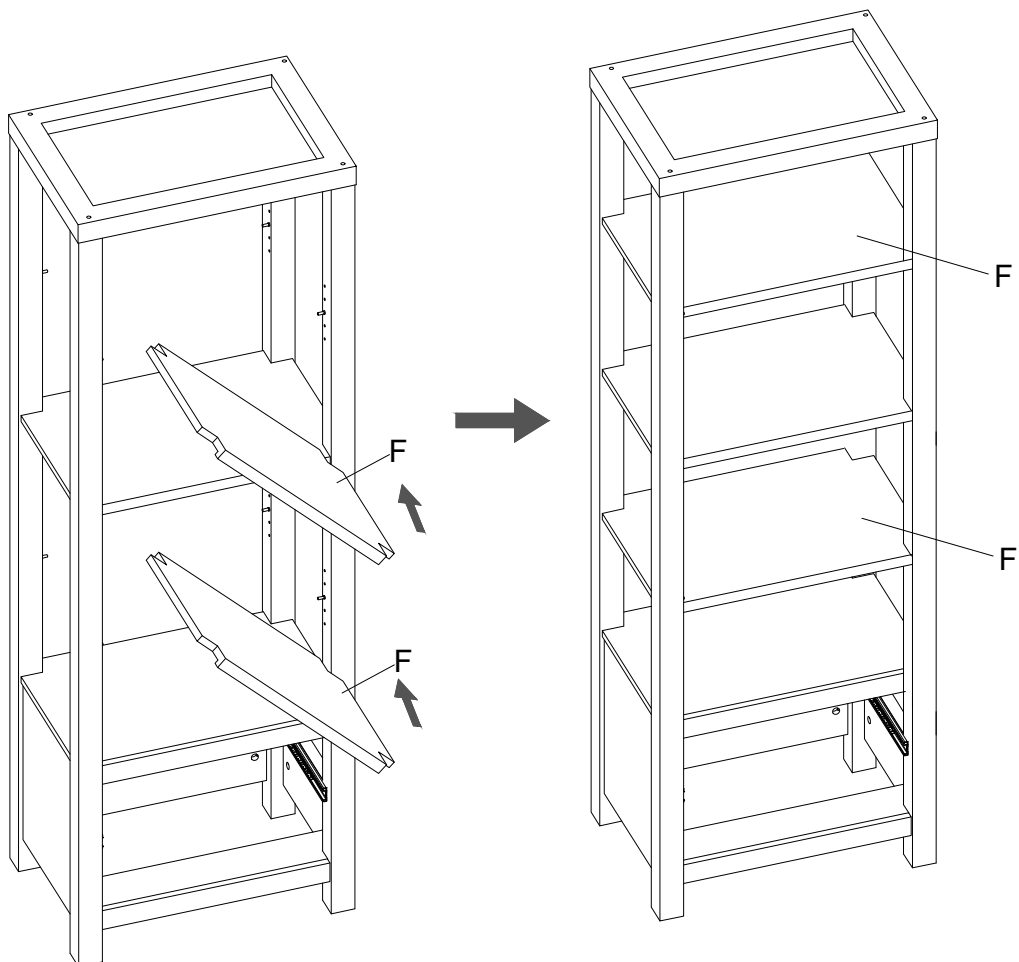
14 Insert Wood Dowel (T) to Left Side Panel (B), Right Side Panel (C) and Back Panel (G) with Glue (AA), then put Drawer Box Top Panel (D) slanted to the top of Left Side Panel (B), Right Side Panel (C) and Back Panel (G), using Nut (V) by Screwdriver (AI) to lock as below shown.



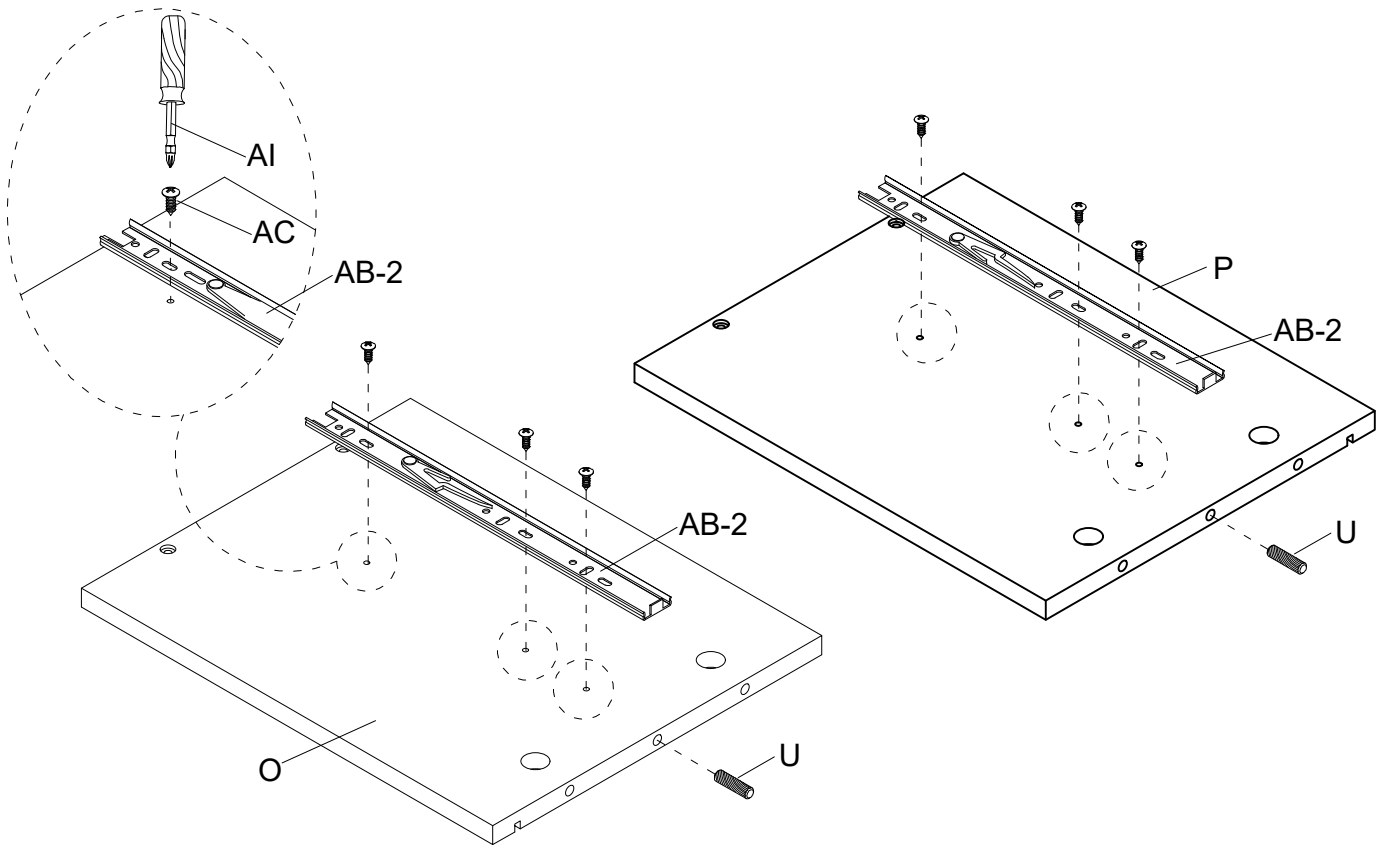
15 Insert Shelf Pin (Z) to pre-assembled Front Post - L (H), Back Post - L (I), Front Post - R (J) and Back Post - R (K) as below shown. The Shelf Pin (Z) is adjustable, you can assemble them to the level you need.



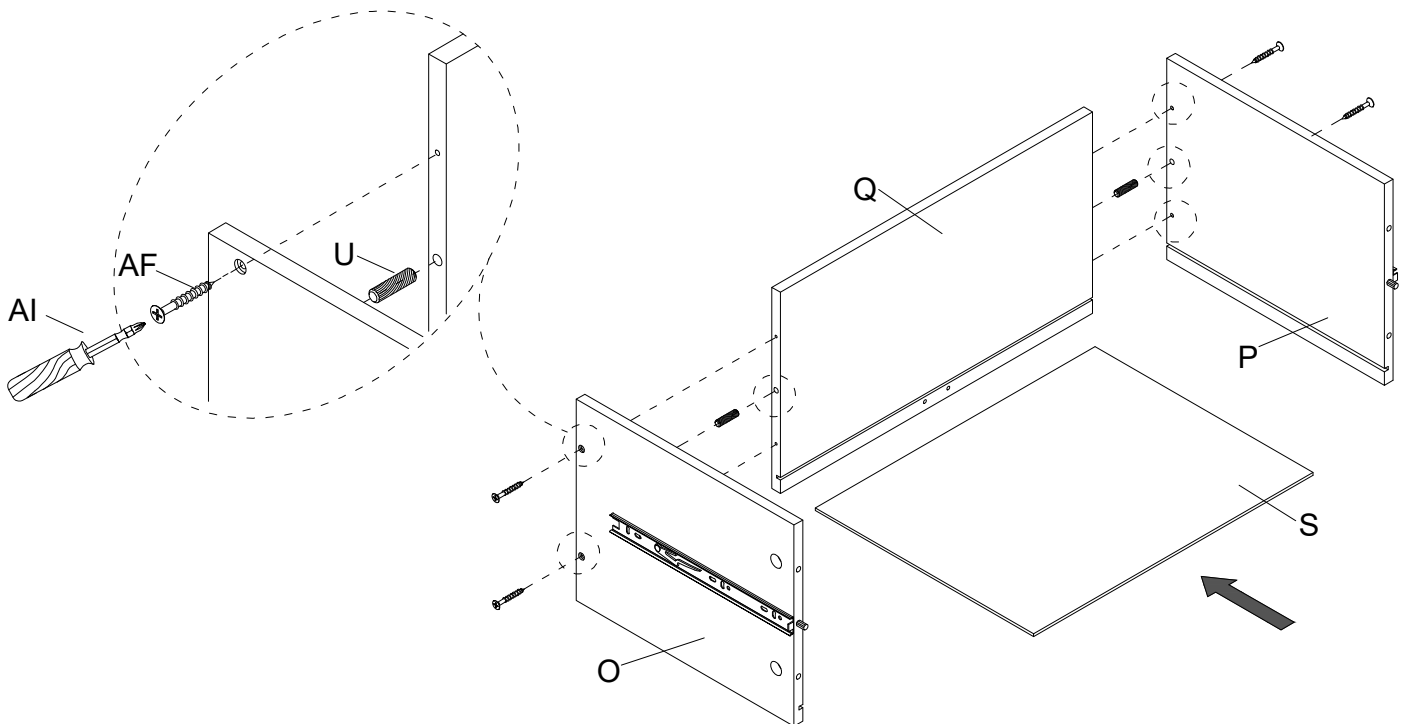
16 Put Adjustable Shelf (F) onto Shelf Pin (Z) as below shown.



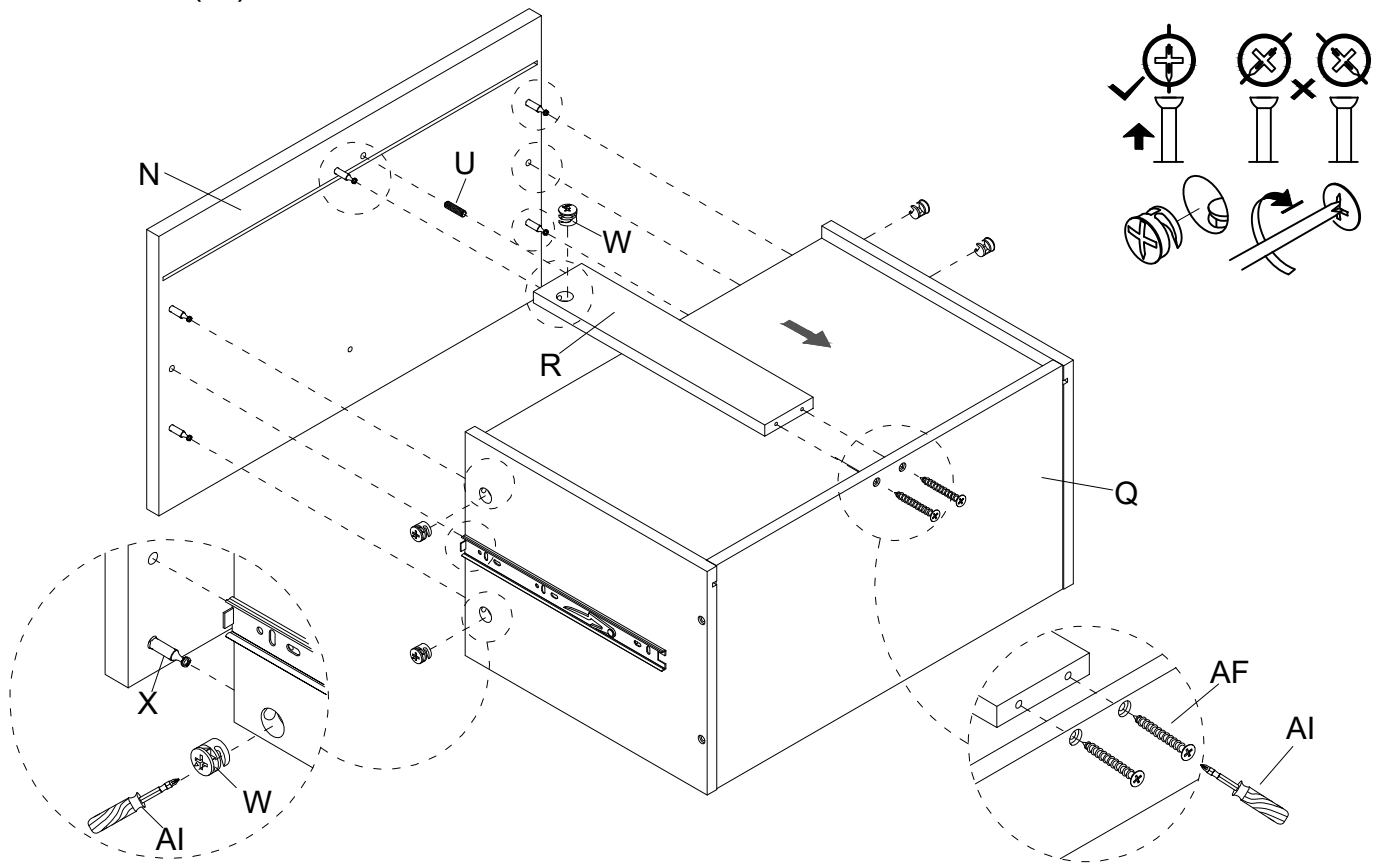
- 17** Assemble part 2 of Slide Rail (AB-2) to Drawer Side Panel - L (O) and Drawer Side Panel - R (P), using Screw (AC) to tighten by Screwdriver (AI). Insert Wood Dowel (U) to Drawer Side Panel - L (O) & Drawer Side Panel - R (P) as below shown.



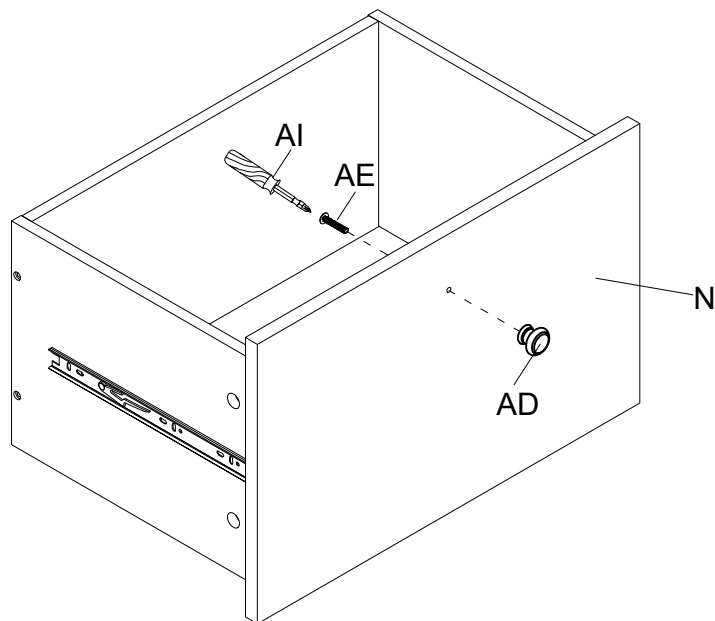
- 18** Insert Wood Dowel (U) to Drawer Back Panel (Q) first, then insert Drawer Bottom Panel (S) into Drawer Side Panel - L (O), Drawer Side Panel - R (P) and Drawer Back Panel (Q), last using Screw (AF) by Screwdriver (AI) to assemble Drawer Side Panel - L (O), Drawer Side Panel - R (P) with Drawer Back Panel (Q) as below shown.



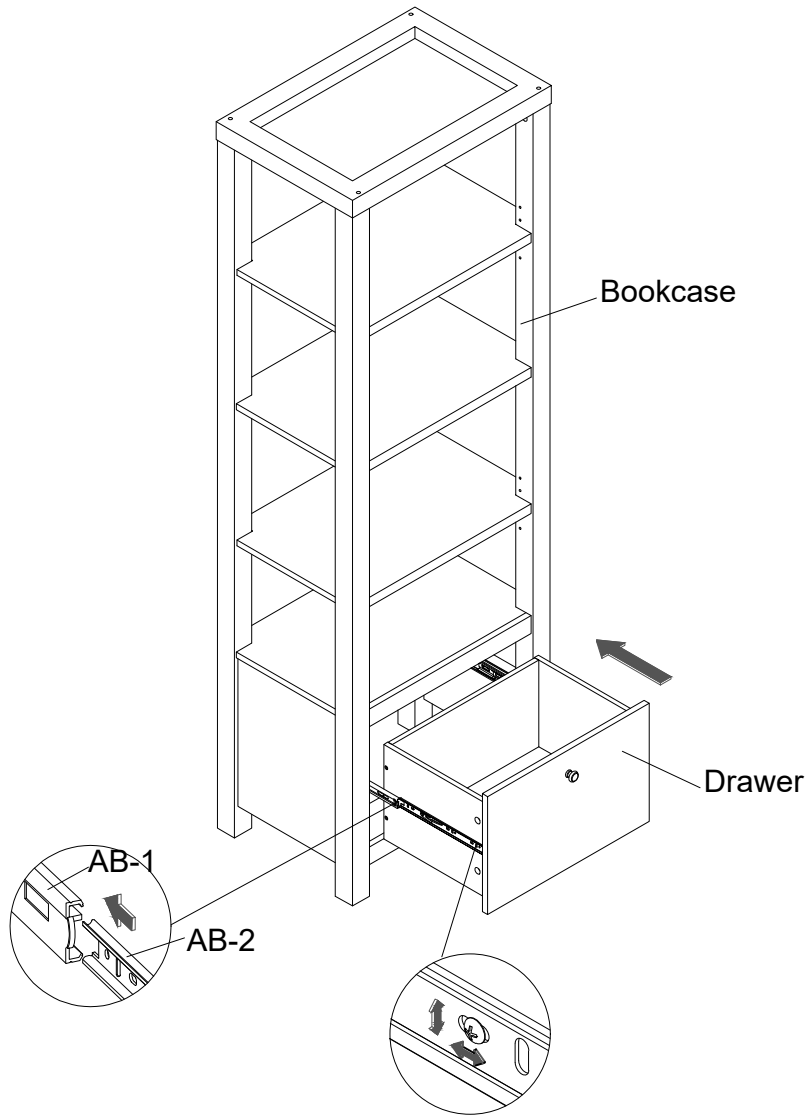
19 Insert Wood Dowel (U) to Drawer Support Panel (R) first, assemble Drawer Front Panel (N) to pre-assembled drawer box using Nut (W) to Bolt (X) by Screwdriver (AI), assemble Drawer Back Panel (Q) to Drawer Support Panel (R) using Screw (AF) by Screwdriver (AI) as below shown.



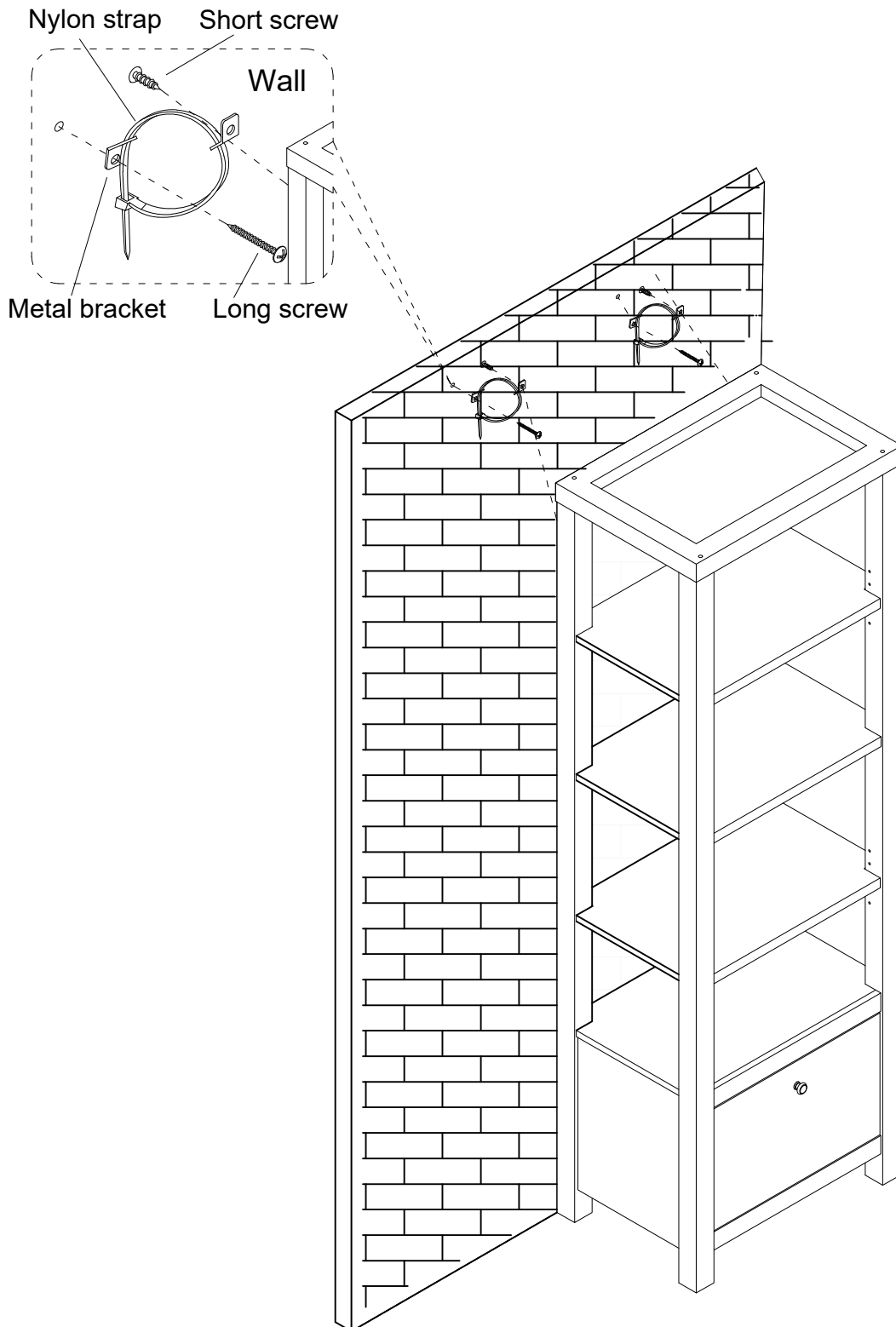
20 Attach Knob (AD) to Drawer Front Panel (N), using Bolt (AE) by Screwdriver (AI) as below shown.



21 Attach the pre-assembled drawer by using Slide Rail (AB) to the pre-assembled Bookcase. Move slide ball spacers to front. Hold drawer horizontally, and slide runners into ball spacers.



22 Remark: there is an Anti-Tipping Kit (AH) provided on the back of this product. Please read the instruction throughly and install immediately when placed in home. To prevent tip over, the product must be attached to wall.



Cleaning & Care

Treat surface with care. Surface is resistant to scratches but is not scratch resistant. Clean surfaces with a dry or damp soft cloth. Do not use abrasive cleaners. Hardware may loosen over time. Periodically check that all connections are tight.