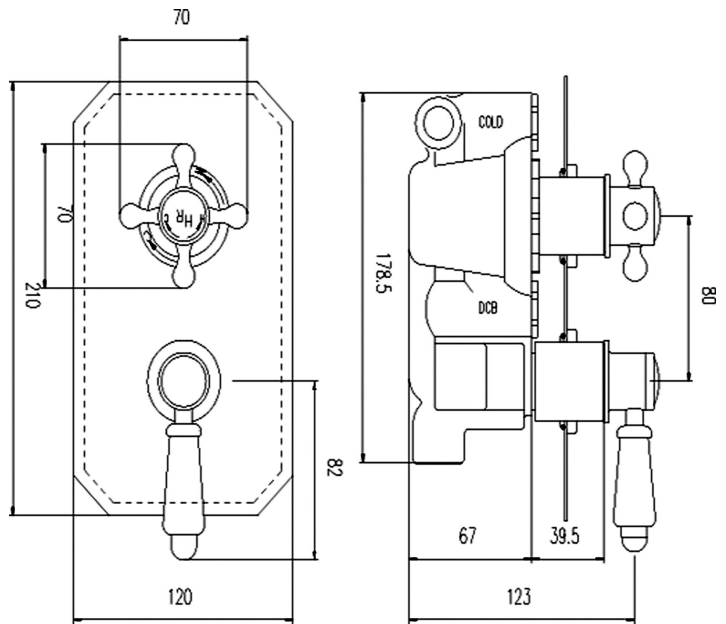


CUSTOMER DATA SHEET - SHOWERS

SALES CODE: TSVT002

DESCRIPTION: Topaz Twin Concealed Shower Valve



PRODUCT DIMENSIONS

Length(mm)	Width (mm)	Height (mm)	Depth (mm)	Nett Wgt Kg
	120	230	135	2.8

PACKAGING DIMENSIONS

Length (mm)	Width (mm)	Depth (mm)	Gross Wgt Kg
250	240	110	3

PACKAGING DATA

Box Colour	White Cardboard Box		
Box Qty	1	Label Colour	White Label
Label Size	100 x 50	Label Qty	1

OUTER BOX DIMENSIONS (If Applicable)

Length (mm)	Width (mm)	Height (mm)	Depth (mm)	Gross Wgt Kg
	490	325	290	
Barcode	5055275831571			

PRODUCT DETAILS

Country of Origin		Flow Rates (L/min)	0.1 bar	5.5	0.5 bar	14	1 bar	20	2 bar	29	3 bar	44
Fitting Instruction	Yes	TMV2 Approved	Yes	Approval No.	Bc947/1211							
Product Material	Brass/ABS	TMV3 Approved	Yes	Approval No.	Bc1119/1212							
Mount Type	Wall	WRAS Approved	Yes	Approval No.	N/A							
Outlet Elbow Supplied	Not Applicable	Head Function	Not Applicable									
Easy Clean	Not Applicable	Handset Function	Not Applicable									
Head Included	No	Body Jet Info	Not Applicable									
Handset Included	No	Pipe Size	15 mm (1/2" Bsp)									
Body Jets Included	Not Applicable	Pipe Centres	150mm									
No of Body Jets	Not Applicable	Colour/Finish	Chrome									
Operating Pressure (bar)	0.1	Hose Included	Not Applicable									
Valve/Cartridge Type	1/4 Turn Ceramic Disc											