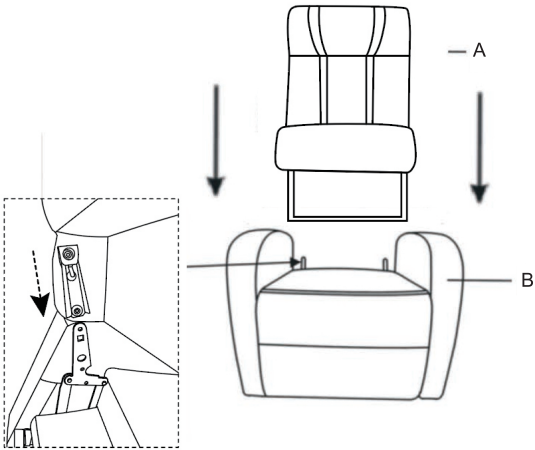
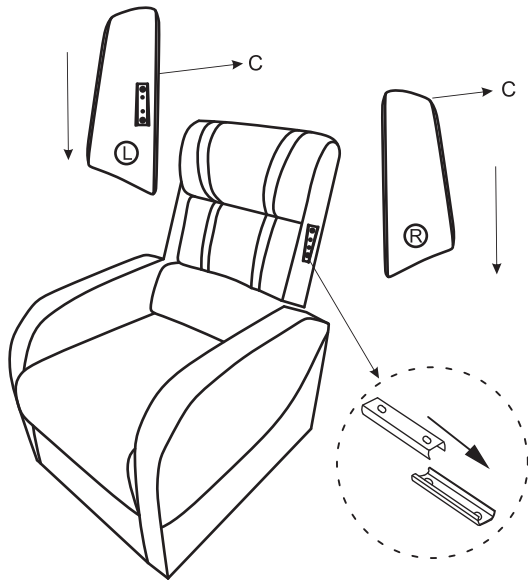


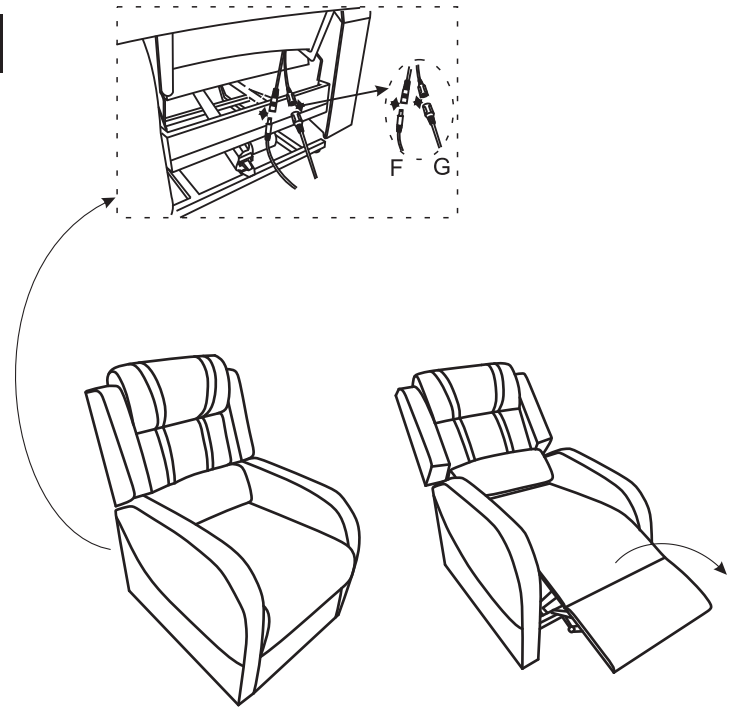
**1**



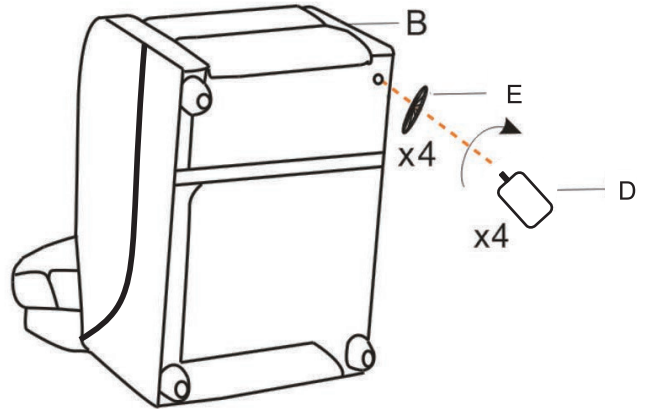
2



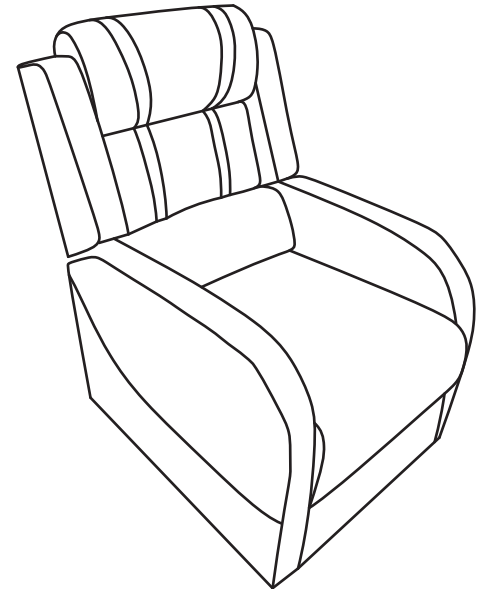
4



3



5

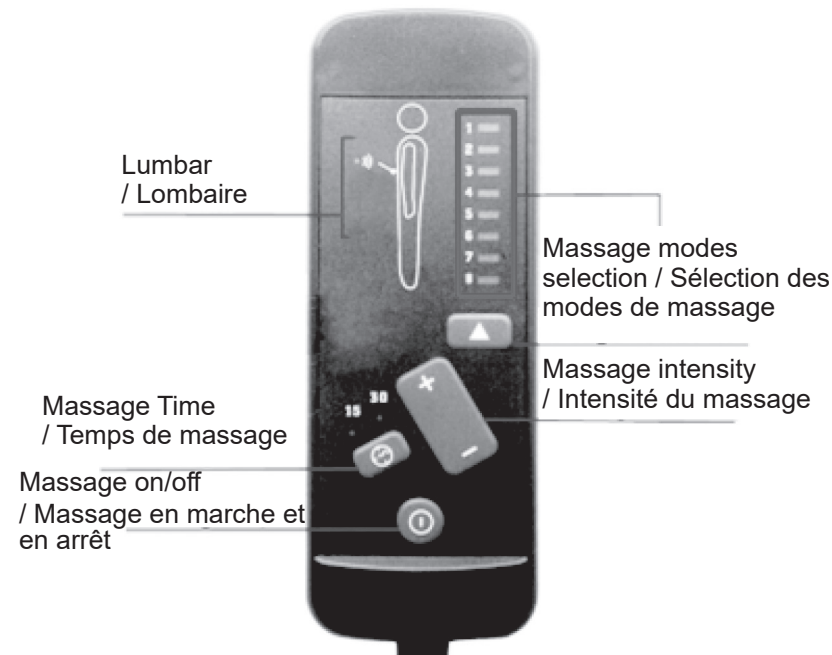


## EN: MESSAGE RECLINER CHAIR

READ ALL INSTRUCTIONS BEFORE USING THE ITEM

## FR: FAUTEUIL RELAX DE MASSAGE

LISEZ TOUTES LES INSTRUCTIONS AVANT D'UTILISER CE PRODUIT



## PRODUCT FEATURE

- 2 Vibration points
- 8 Massaging modes
- Adjustable intensity
- One massage zone
- The default timing is 15-30 min

## HOW TO USE

1. Turn the unit ON by pressing the POWER button once, The LED will illuminate when power is on.
  2. Turn on the massage in each vibration point by pressing the Massage zone. LEDs will illuminate when each zone is activated. To turn off a zone, press the button again.
  3. To choose a desired massage mode, press the MODE button. To change modes, press MODE button until LED for desired mode illuminates.
  4. To change the massage intensity, press the INTENSITY button. The LED for HIGH or LOW intensities will illuminate when chosen.
- NOTE: Discontinue use immediately if you feel any discomfort or pain.
5. NOTE: for your benefit, the massage chair is equipped with an auto shut-off function that will turn the chair unit off after 30 minutes of continuous use.
  6. DO NOT use for more than 30 minutes of continuous use.

## IMPORTANT SAFETY INSTRUCTIONS

When using an electrical appliance, basic precautions should always be followed, including the following:

1. This product is for use on a 12V circuit. Make sure that the product is connected to an outlet having the same configuration as the plug.
2. Always unplug the massager from the power source after use, and before cleaning.
3. Do not reach for massager if it has fallen into water. Unplug immediately.
4. An appliance should never be left unattended when plugged in. Unplug from outlet when not in use, before putting on or taking off parts or attachments.
5. Do not use outdoors.

EN