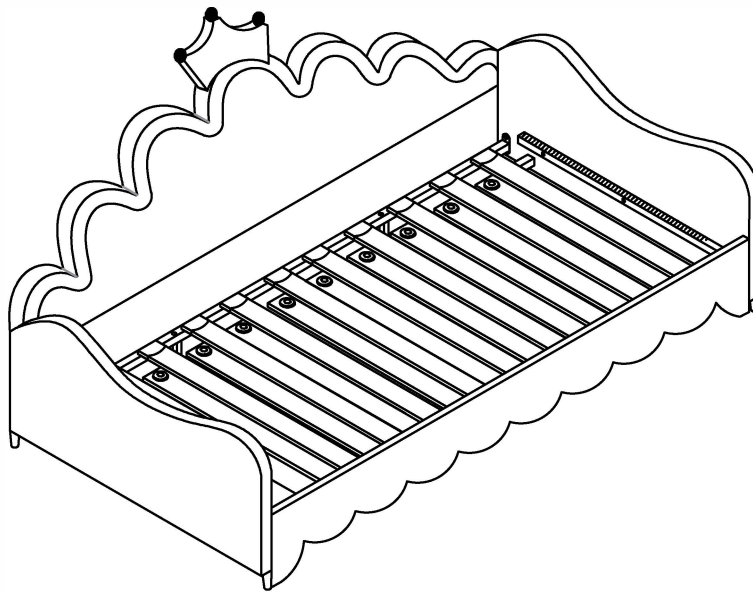
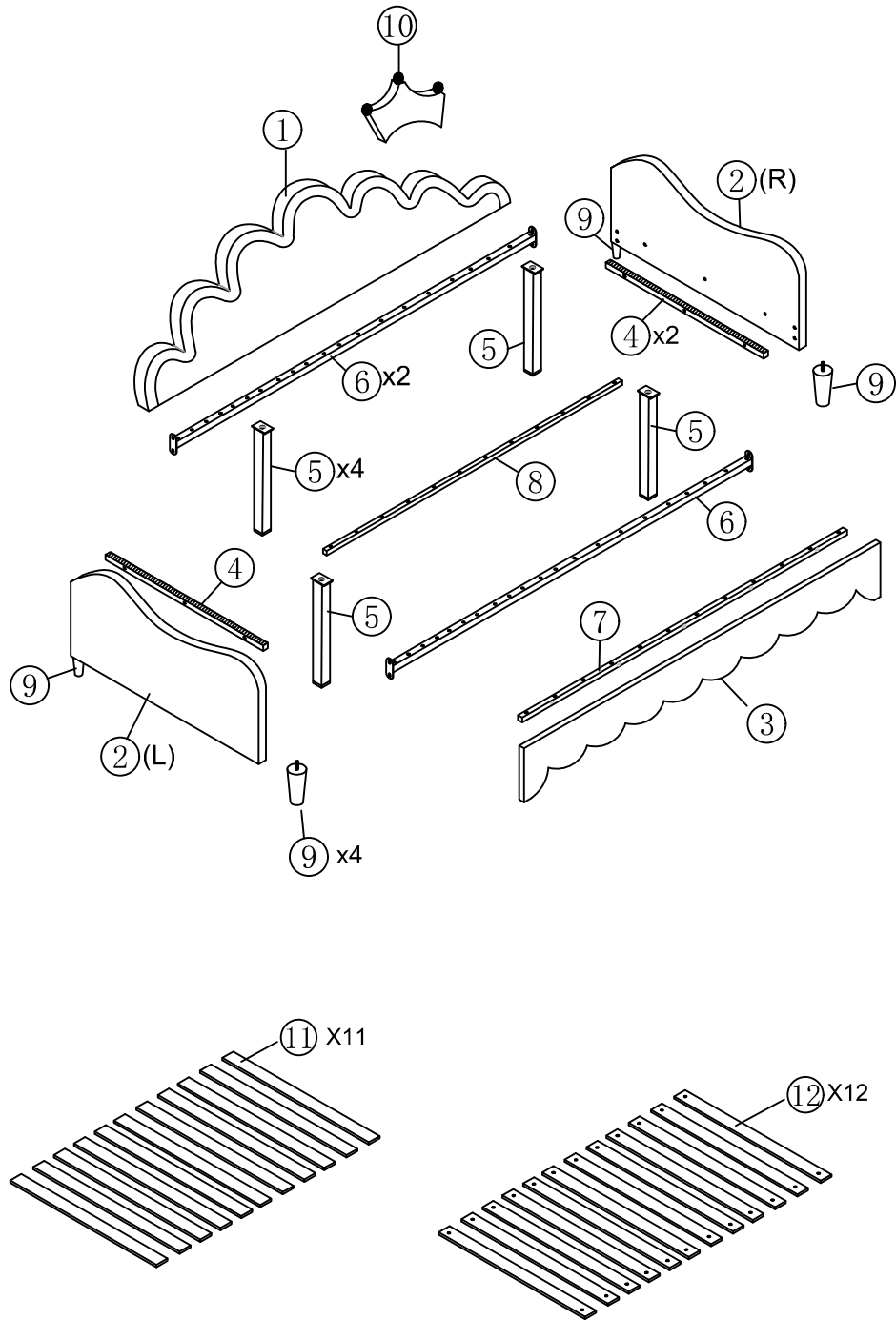


ASSEMBLY INSTRUCTION

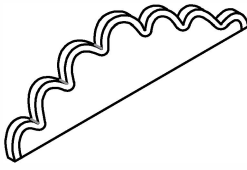
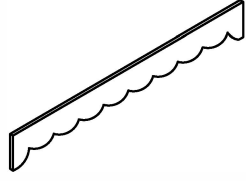

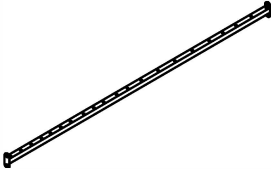
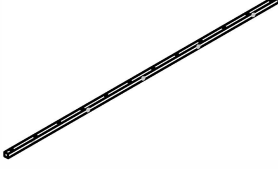
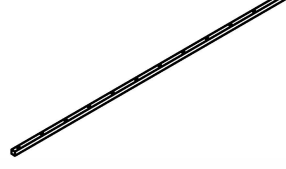
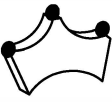


Detail View

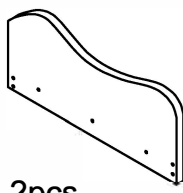


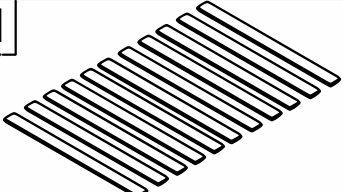
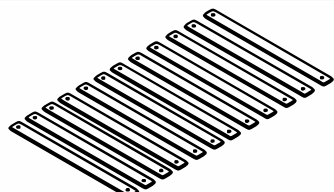


ASSEMBLY INSTRUCTIONS

PART LIST BOX 1










<p>1</p>  <p>Backrest-1pc</p>	<p>3</p>  <p>Front board-1pc</p>	<p>4</p>  <p>Armrest support bar-2pcs</p>
<p>6</p>  <p>Metal bar-2pcs</p>	<p>7</p>  <p>Front board bar-1pc</p>	<p>8</p>  <p>Middle bar-1pc</p>
<p>10</p>  <p>Crown-1pc</p>		

PART LIST BOX 2

<p>2</p>  <p>Armrest-2pcs</p>	<p>5</p>  <p>Support legs-4pcs</p>	<p>9</p>  <p>Legs-4pcs</p>
<p>11</p>  <p>Slats-11pcs</p>	<p>12</p>  <p>Slats-12pcs</p>	

ASSEMBLY INSTRUCTIONS

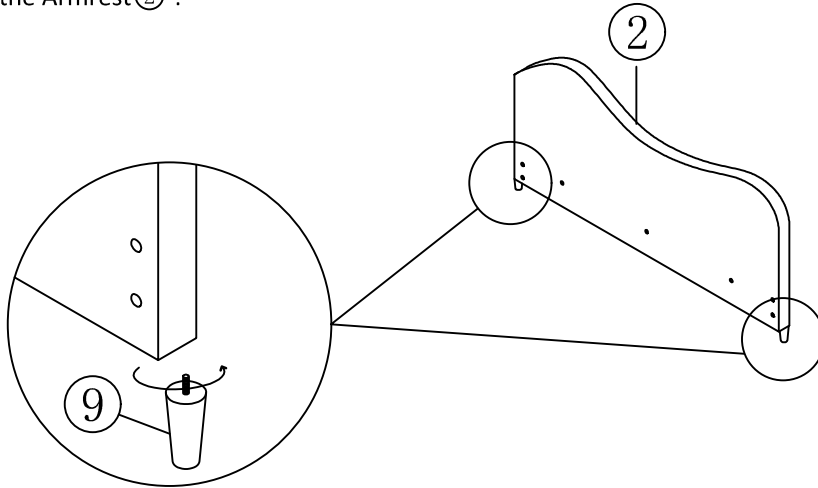
HARDWARE LIST

A  20*70mm Allen Key(1pc)	B  Ø8*50mm Bolts(15pcs)	C  Ø8*25mm Bolts(22pcs)
D  Ø8*18mm Bolts(20pcs)	E  Power adapter(1pc)	F  100*100*2mm Four hole iron(3pcs)
G  End slats cap(22pcs)	H  Remote control(1pc)	I  Color controller(1pc)

Attention: Do not tighten the screws before completing the entire installation. If you have any difficulty with the installation process, please feel free to contact us.

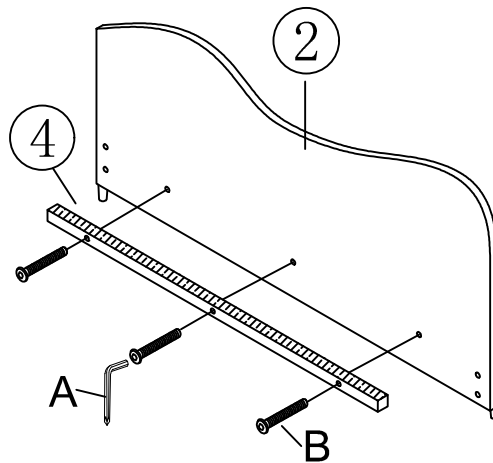
Step 1 x2



Fix the legs ⑨ to the Armrest ② .



Step 2X2

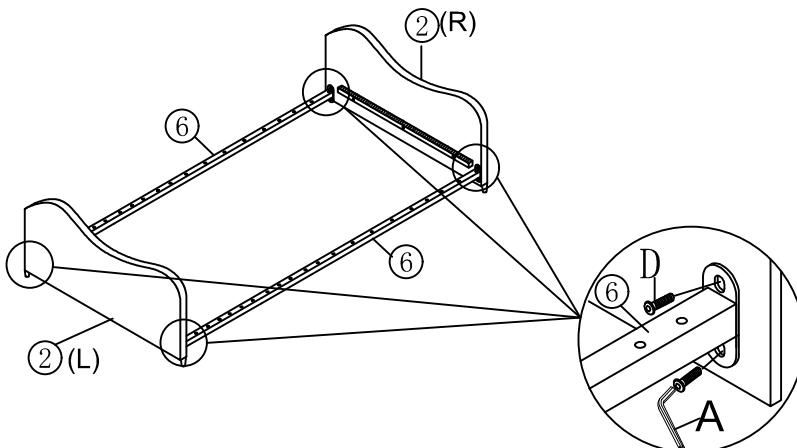
Connect Armrest support bar ④ to the Armrest ② with Bolts B by using Allen key A.





A Allen Key	B Bolts x 6
	 M8X50mm

Step 3

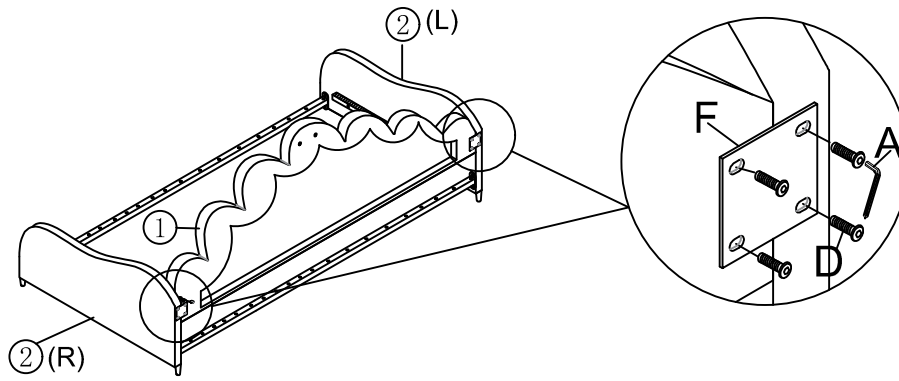
Fix the Metal bar ⑥ to the Armrest ② with Bolts D by using Allen key A.






Allen Key	D Bolts x 8
	 M8X18mm

Step 4

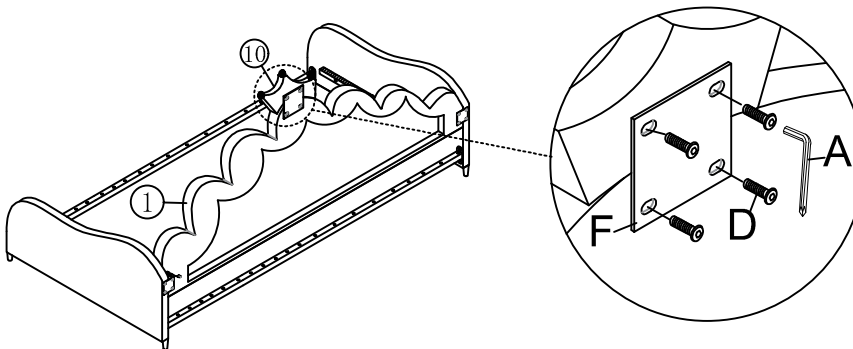
Fix the Backrest ① to the Armrest ② with Bolts D and Four hole iron F by using Allen key A.






Allen Key 	F Four hole iron x 2 	D Bolts x 8 M8X18mm 
--------------------------------------------------------------------------------------------------	-------------------------------------------------------------------------------------------------------------	---------------------------------------------------------------------------------------------------------------

Step 5

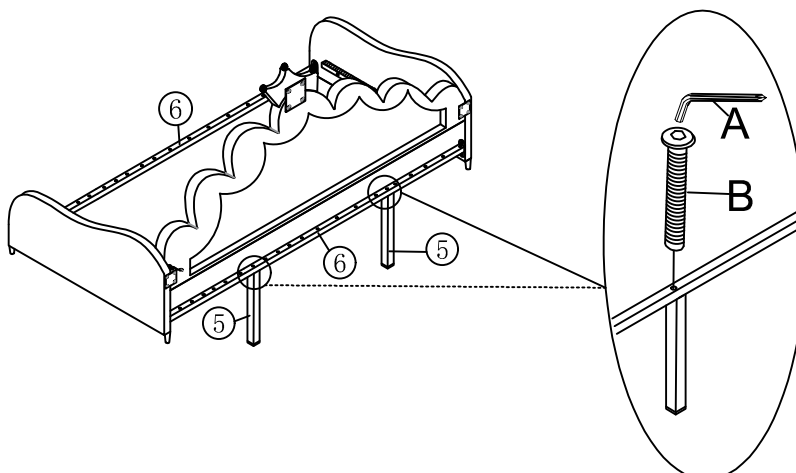
Fix the Crown ⑩ to the headboard ① with Bolts D and Four hole iron F by using Allen key A.





Allen Key 	D Bolts x 4 M8X18mm 	F Four hole iron x 1 
----------------------------------------------------------------------------------------------------	-----------------------------------------------------------------------------------------------------------------	---------------------------------------------------------------------------------------------------------------

Step 6

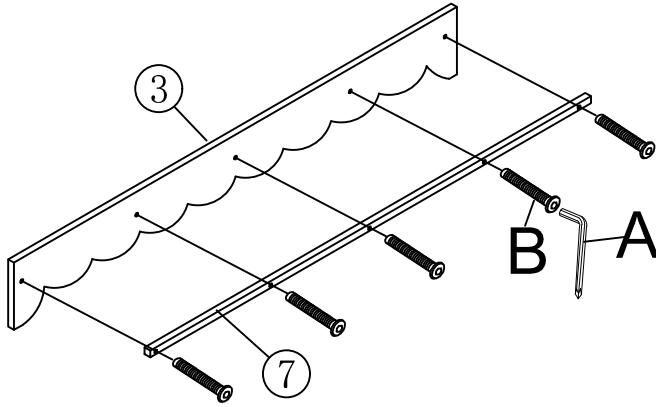
Fix the two Support legs ⑤ to the Metal bar ⑥ which under the backrest with Bolts B by using Allen key A.
Please use the seventh hole from left and right.





Allen Key 	B Bolts x 2 M8X50mm 
----------------------------------------------------------------------------------------------------	-----------------------------------------------------------------------------------------------------------------

Step 7

Fix the Front board bar ⑦ to the Front board ③ with Bolts B by using Allen key A.

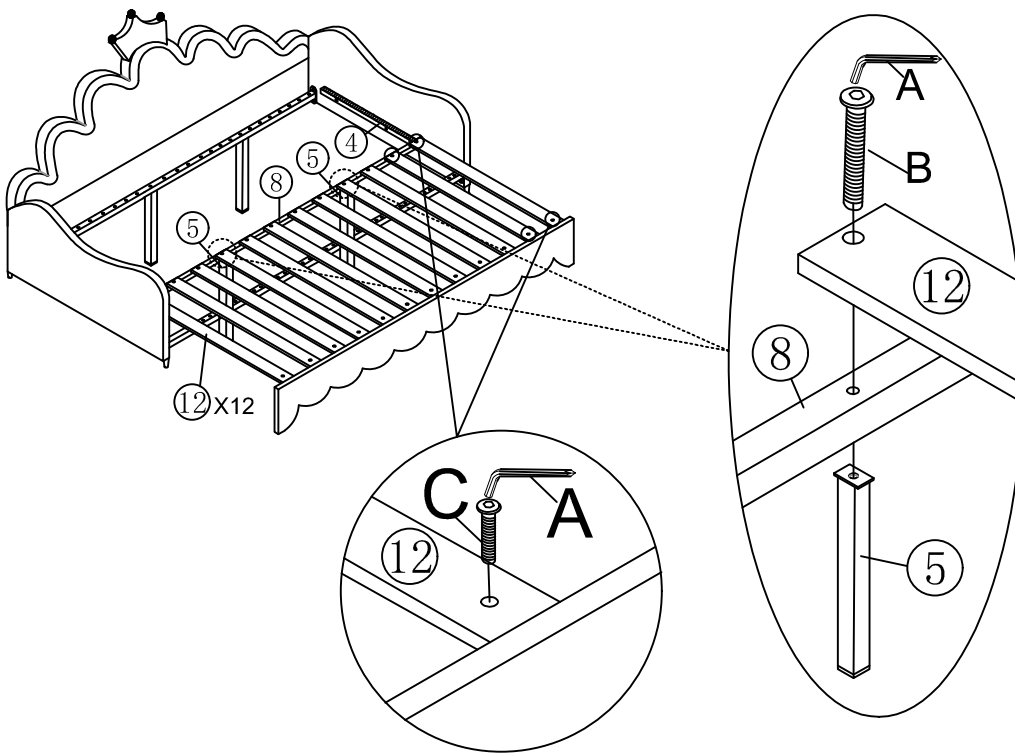





Allen Key 	B Bolts x 5  M8X50mm
--------------------------------------------------------------------------------------------------	---------------------------------------------------------------------------------------------------------------

Step 8

Fix Middle bar ⑧ to the Armrest support bar ④, then fix the Slats ⑫ to the Middle bar ⑧ and Front board bar ⑦ with Bolts C by using Allen Key A.

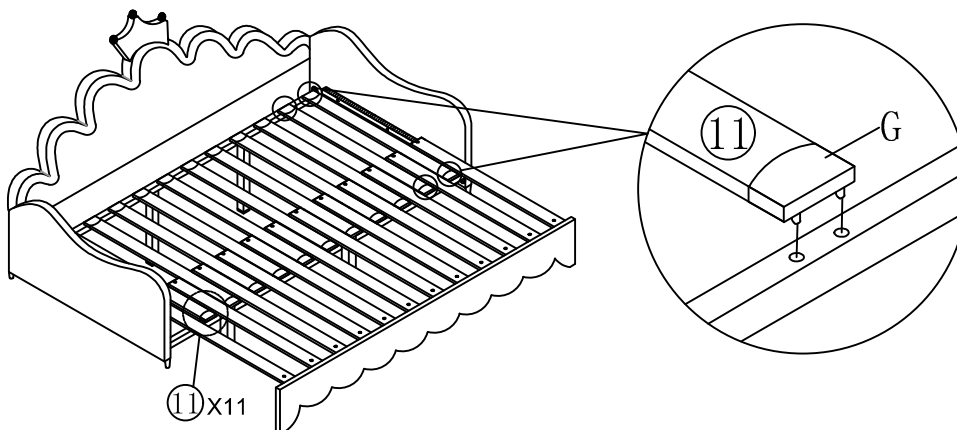
Please use the forth hole from left and right.




Allen Key 	B Bolts x 2  M8X50mm	C Bolts x 22  M8X25mm
----------------------------------------------------------------------------------------------------	-----------------------------------------------------------------------------------------------------------------	------------------------------------------------------------------------------------------------------------------

Step 9

Fix the slats ⑪ to the metal bar ⑥ with slats cap G.



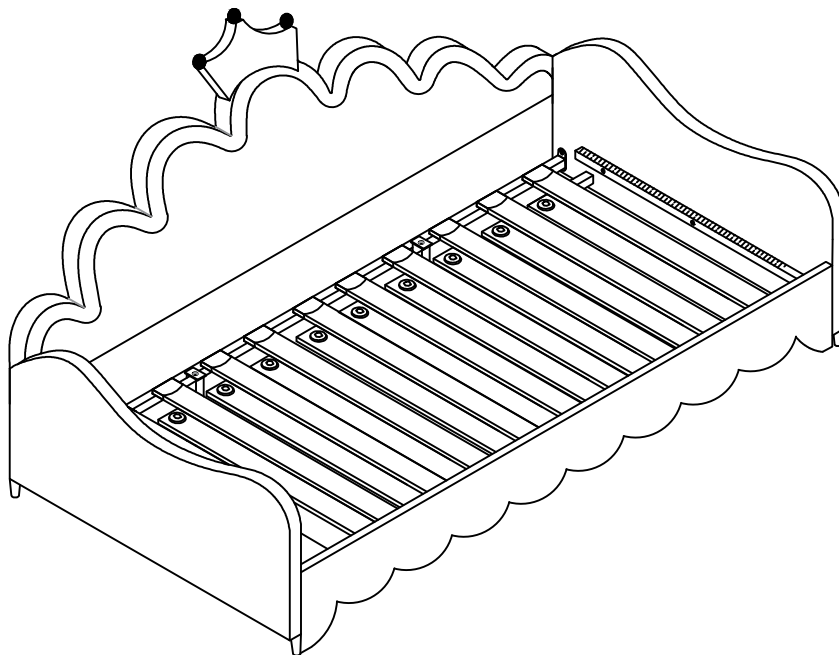
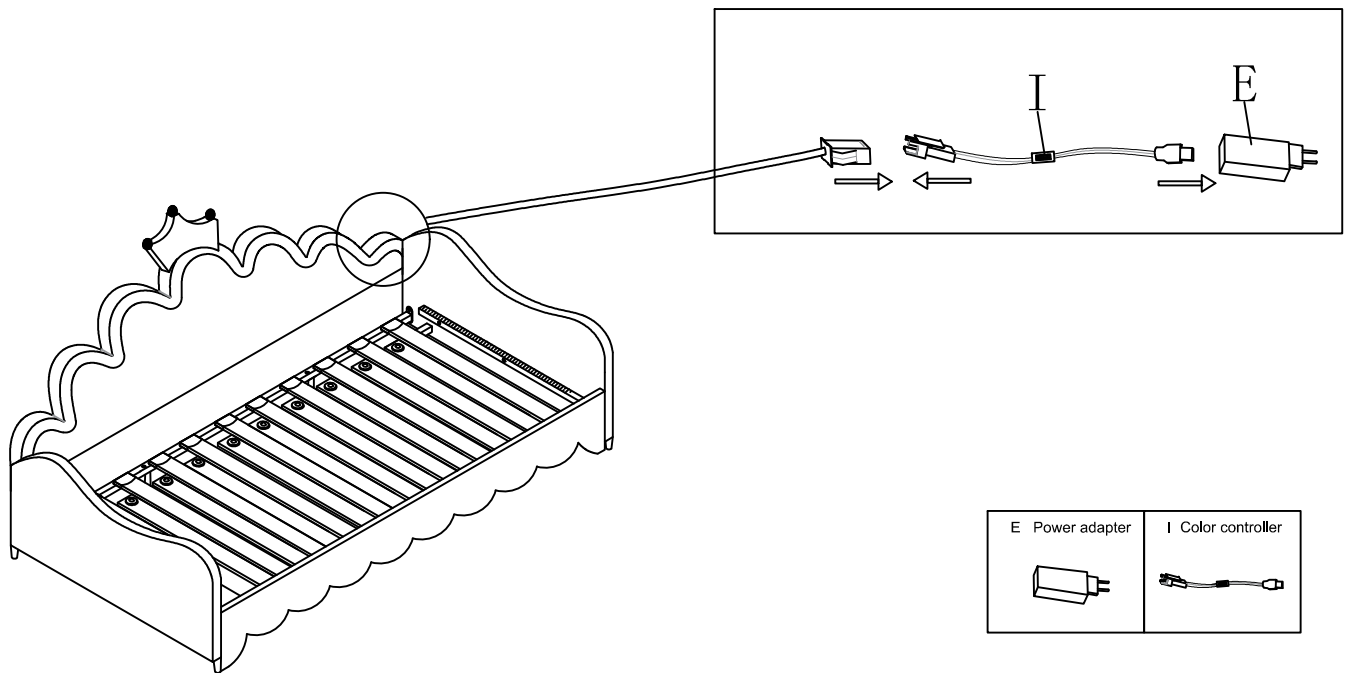
G End slats capX22 

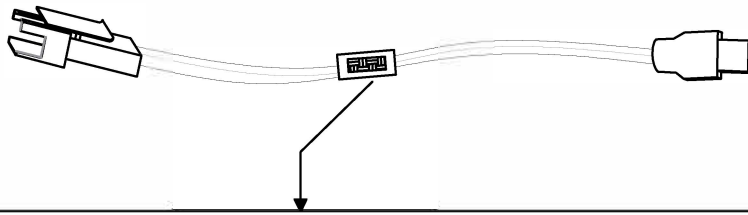
Step 10

At first,fix one end of the Color controller I to the LED strip.

At second,fix another end of the Color controller I to the Power adapter E.

At last,connect the Power, then assembly is finished.Please enjoy your bed.





NOTICE:

You can download an app that can control the color of the light strip like a remote control.

When your phone plays music through the app, the color of the light strip will also change according to the strength of the music.

