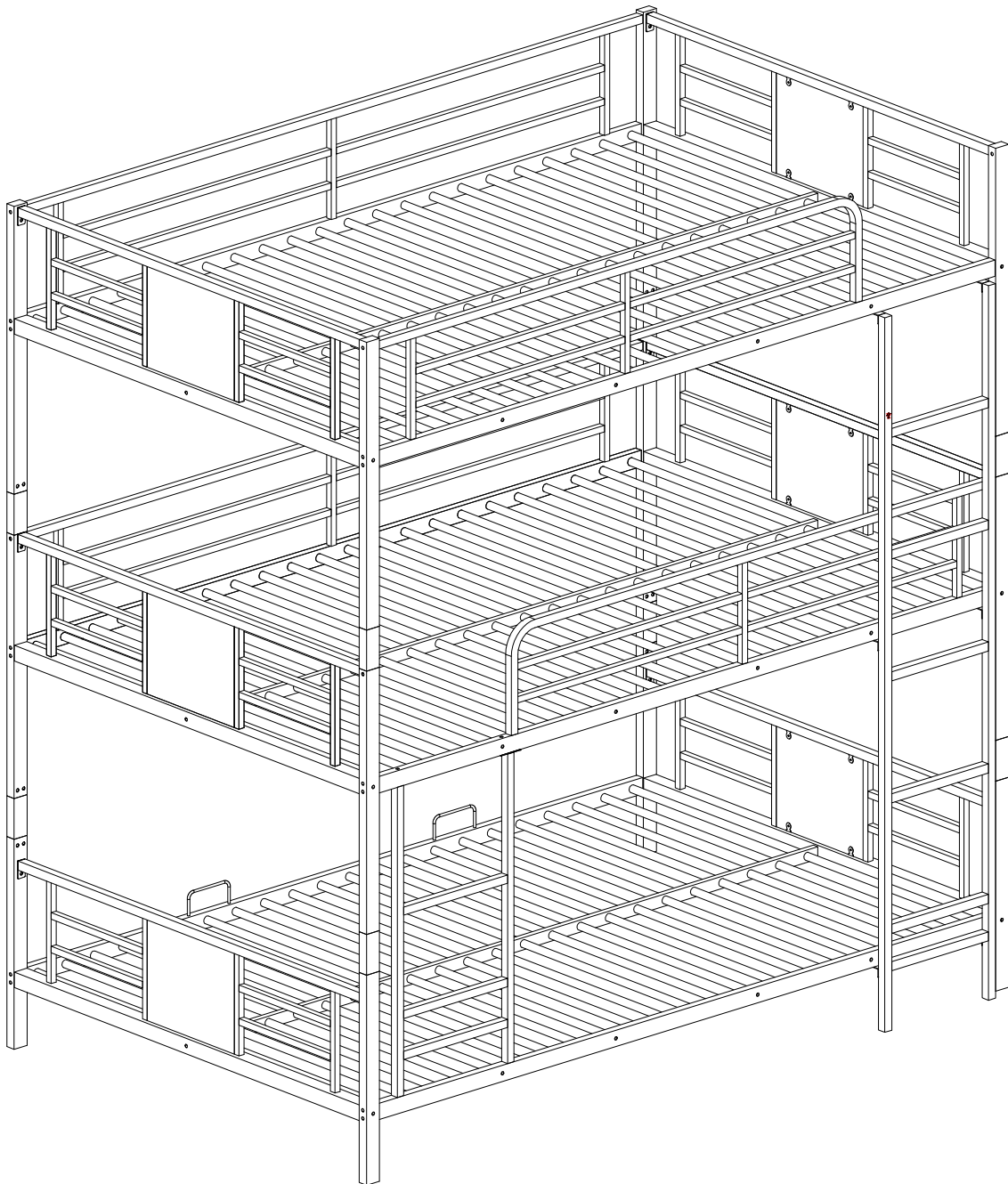


ASSEMBLY INSTRUCTIONS

BUNK BED



WF287030/WF287031/WF287032

SAFETY WARNINGS AND GENERAL NOTES:

1. Follow the information on the warnings on the bunk bed end structure and on the carton. Do not remove the warning label from the bed.
2. Always use the recommended size mattress on mattress support, or both, to help prevent the likelihood of entrapment or falls.
3. Do not allow children under 6 years of age to use the upper bunk.
4. Periodically check and ensure the guardrail, ladder and other components are in their proper position, free from damage, and all connectors are tight.
5. Do not allow horseplay on or under beds.
6. Always prohibit jumping on the bed.
7. Prohibit more than one person on upper bunk.
8. Always use the ladder for entering and leaving the upper bunk.
9. Do not use substitute parts. Contact the manufacturer or dealer for replacement parts.
10. Use of a night-tight may provide added safety precaution for a child using the upper bunk.
11. Always use guardrails on both long sides of the upper bunk.
12. If the bunk bed will be placed next to a wall, the guardrail that runs the full length of the bed should be placed against the wall to prevent entrapment between the bed and the wall.

The use of water or sleep flotation mattresses is prohibited.

13. **STRANGULATION HAZARD**-Never attach or hang items to any part of the bunk bed that are not designed for use with the bed.
14. Keep these instructions for future reference.
15. We recommend assembling your bunk bed on the shipping carton to protect your floor or carpet.
16. Be certain all staples are out of the box before beginning assembly on the shipping carton.
17. **USE ONLY MATTRESSES WHICH ARE AS THE TABLE BELOW ON UPPER AND ON LOWER BUNKS.**

Down bed

Bed type	Length	Width	Thicknes
Twin Standard	74" – 75"	38 ½"	6"

Up bed(bunk bed and tribed included)

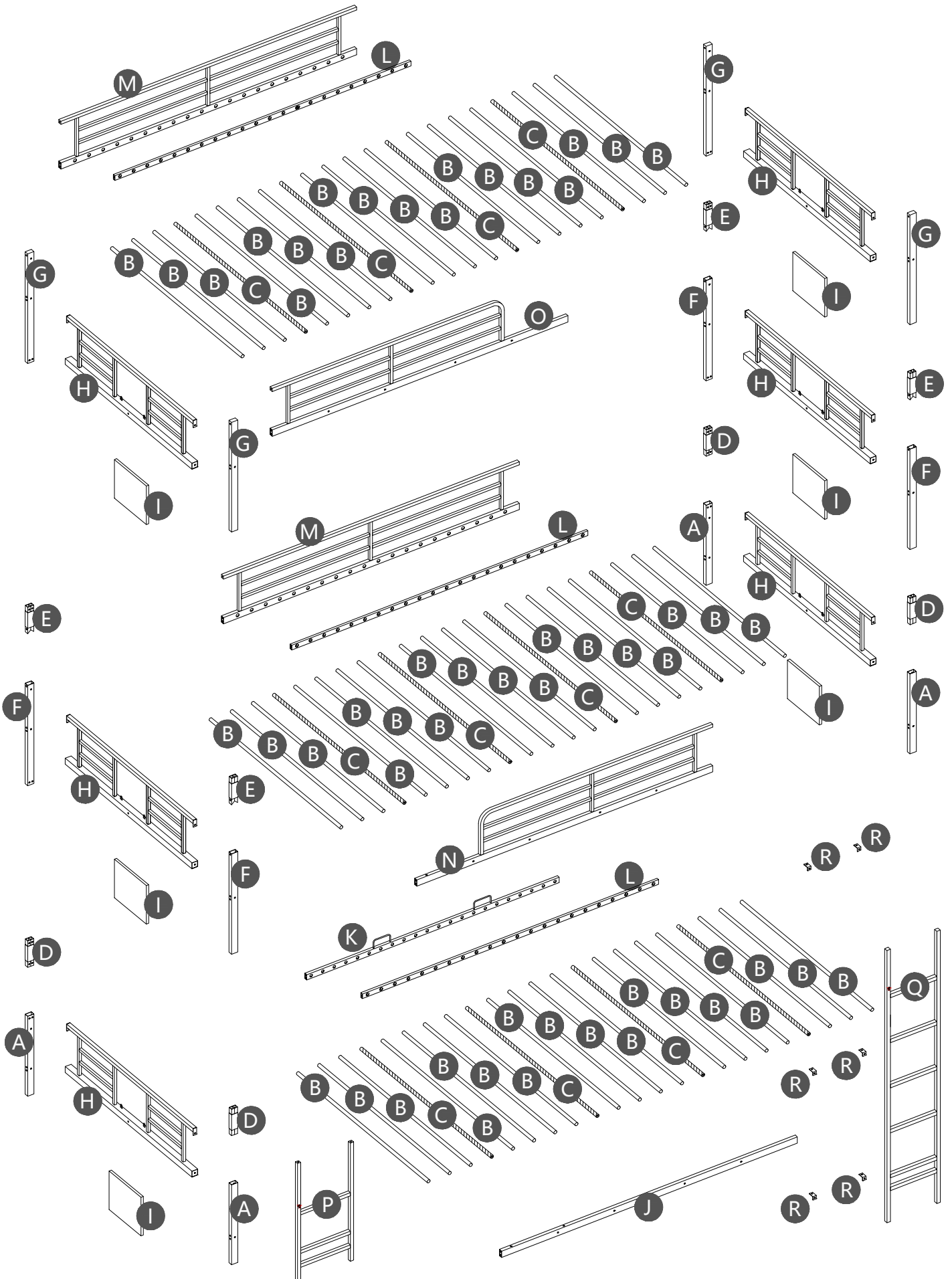
Bed type	Length	Width	Thickness
Twin Standard	74" – 75"	38 ½"	6"

18. **SURFACE OF MATTRESS MUST BE AT LEAST 5" (127MM) BELOW THE UPPER EDGE OF GUARDRAILS.**

19. Replacement Parts:

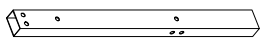
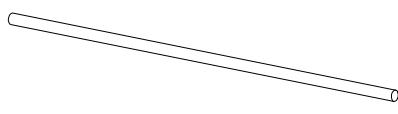
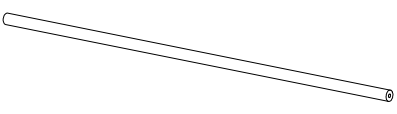
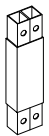
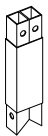
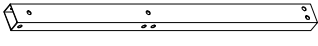
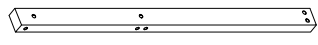
Replacement Parts, including additional guardrails, may be obtained from any of our (GIGACLOUD TECHNOLOGY (USA) INC) dealers.

Detail View

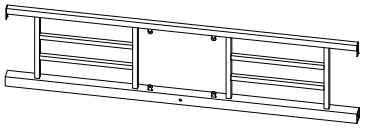
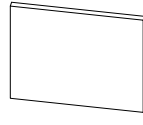


Parts List

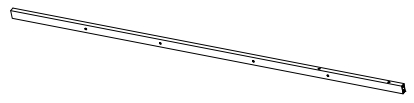
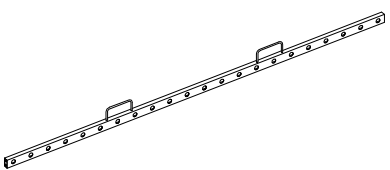

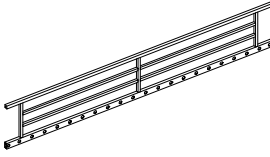
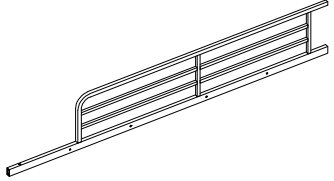
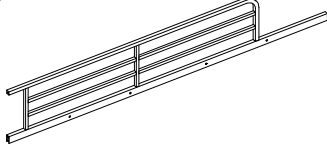
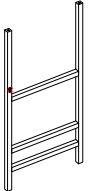
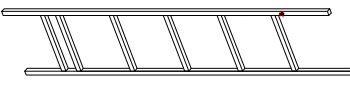

Parts List WF287032

<p>A</p>  <p>Lower leg - 4pcs</p>	<p>B</p>  <p>Mattress Support rail - 54pcs</p>	<p>C</p>  <p>Mattress Support rail - 12pcs</p>
<p>D</p>  <p>Leg connector (Lower) - 4pcs</p>	<p>E</p>  <p>Leg connector (Upper) - 4pcs</p>	<p>F</p>  <p>Middle leg - 4pcs</p>
<p>G</p>  <p>Upper leg - 4pcs</p>		

Parts List WF287031

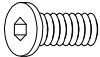
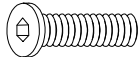
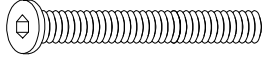
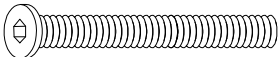


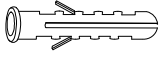
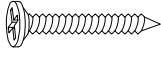

<p>H</p>  <p>Headboard - 6pcs</p>	<p>I</p>  <p>Headboard panel - 6pcs</p>
---	---

Parts List WF287030

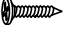
<p>J</p>  <p>Front rail (Lower) - 1pc</p>	<p>K</p>  <p>Back rail (Lower) - 1pc</p>	<p>L</p>  <p>Middle rail - 3pcs</p>
<p>M</p>  <p>Back guardrail - 2pcs</p>	<p>N</p>  <p>Middle guardrail - 1pc</p>	<p>O</p>  <p>Upper guardrail - 1pc</p>
<p>P</p>  <p>Short ladder - 1pc</p>	<p>Q</p>  <p>Long ladder - 1pc</p>	<p>R</p>  <p>Ladder Supporter - 6pcs</p>

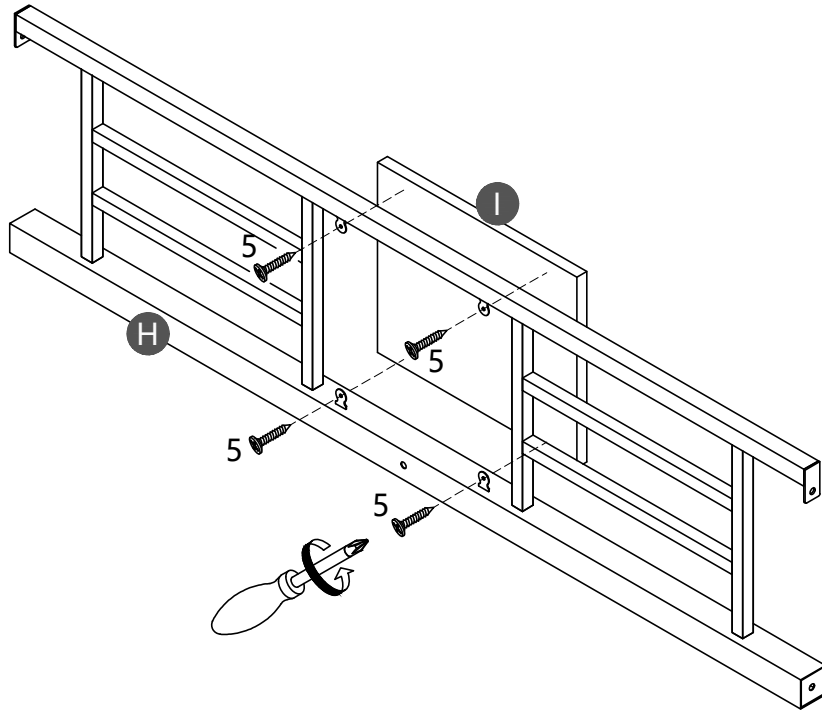
Hardware List

Hardware List for WF287030

1  M6*12mm 24pcs	2  M6*16mm 48pcs	3  M6*50mm 18pcs
4  M6*70mm 34pcs	5  M4*14mm 24pcs	6  M4 1pc
7  2pcs	8  2pcs	9  2pcs



STEP 1:

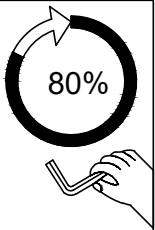
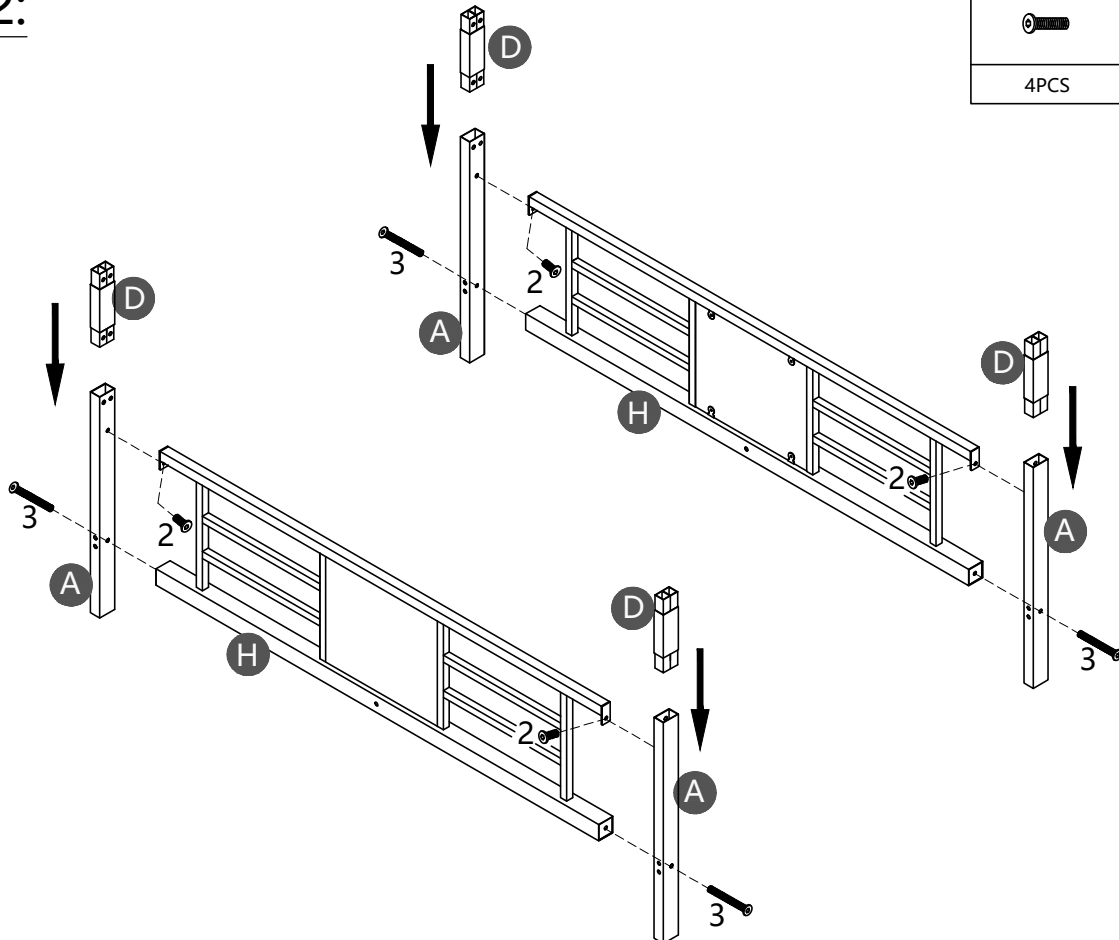
5

4PCS





x6

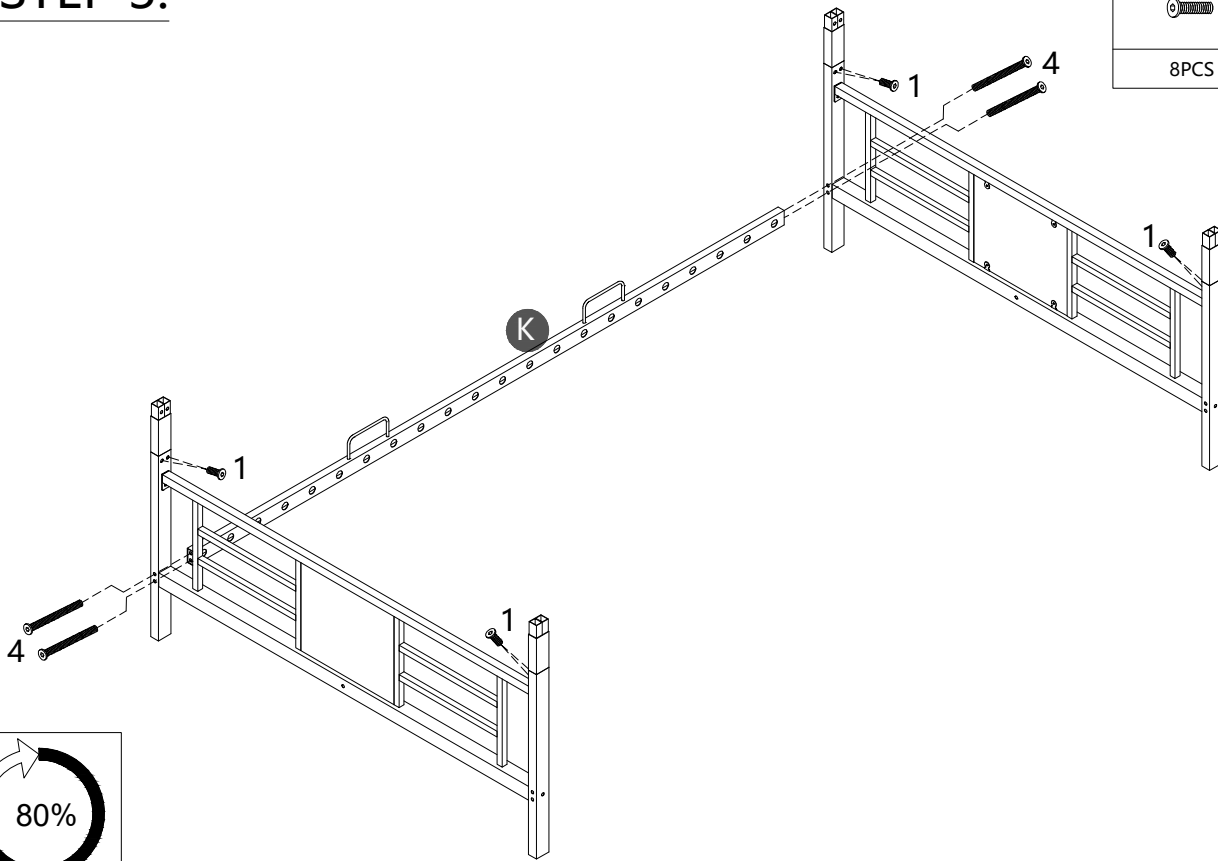
STEP 2:

2	3
	
4PCS	4PCS




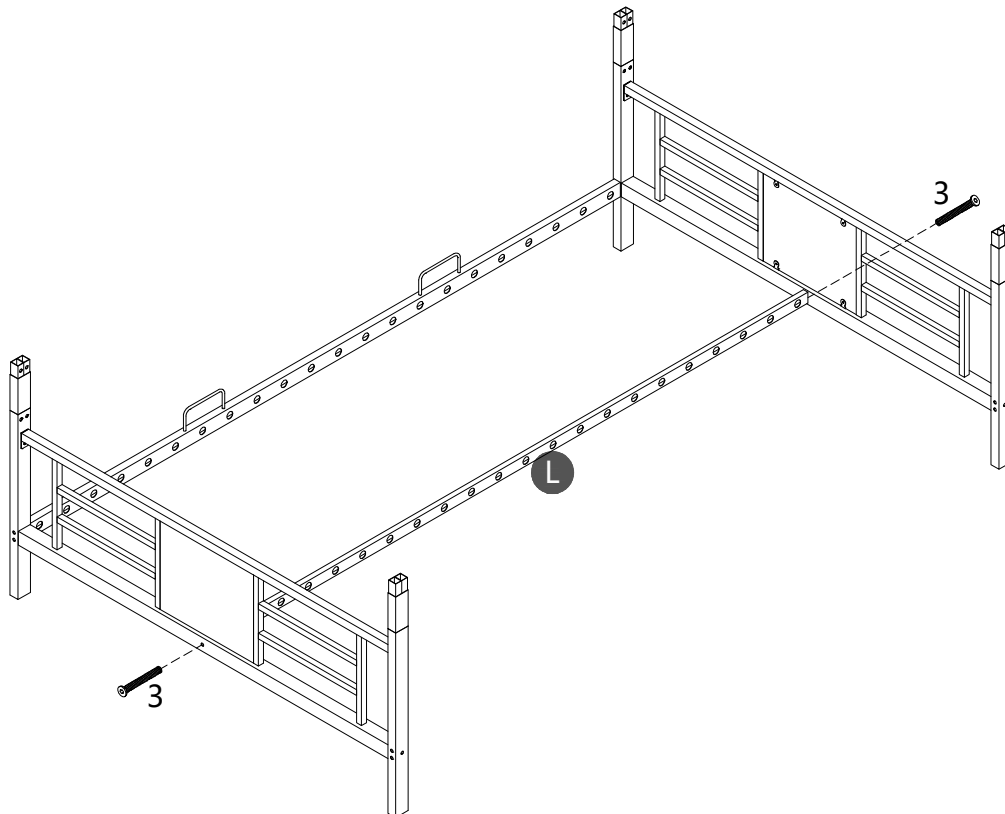
STEP 3:

1	4
	
8PCS	4PCS

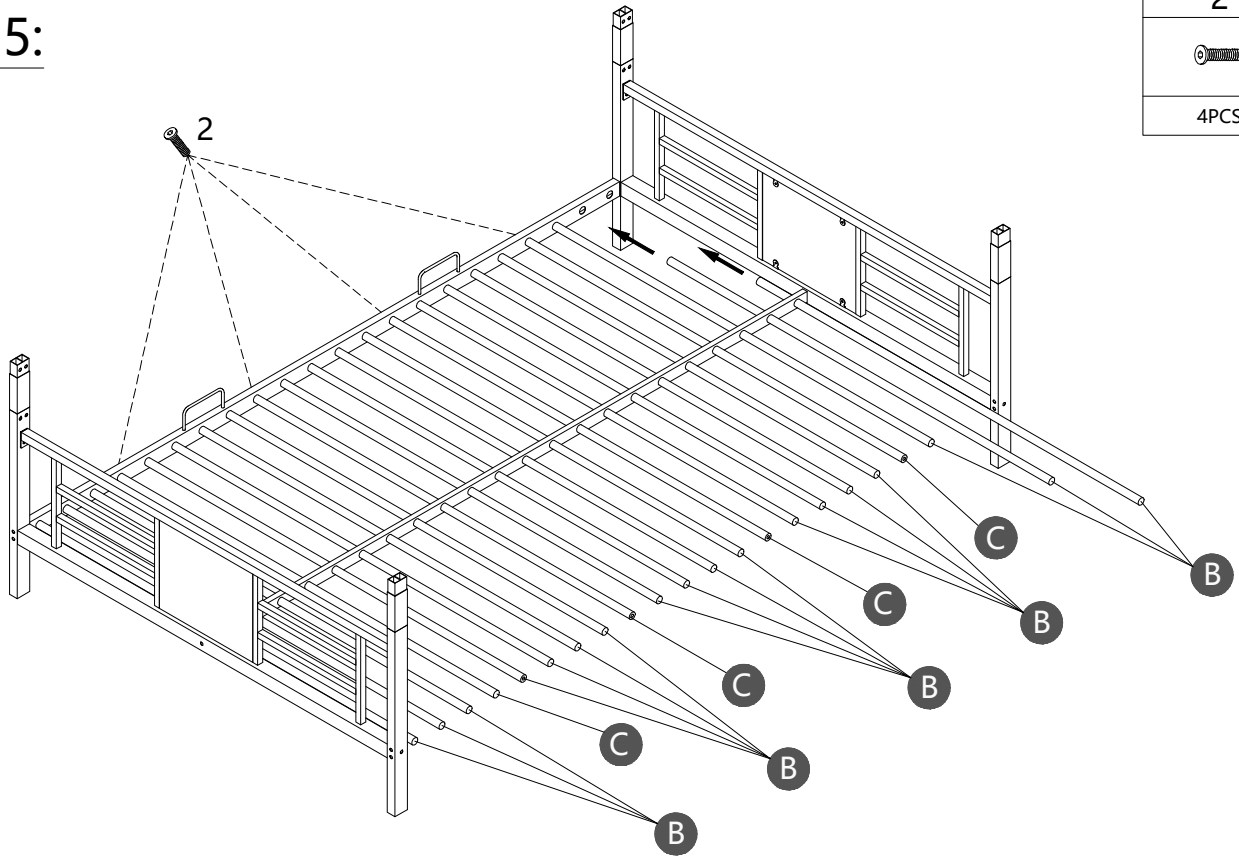



STEP 4:

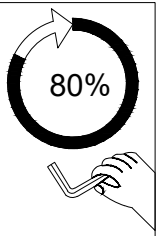
3

2PCS



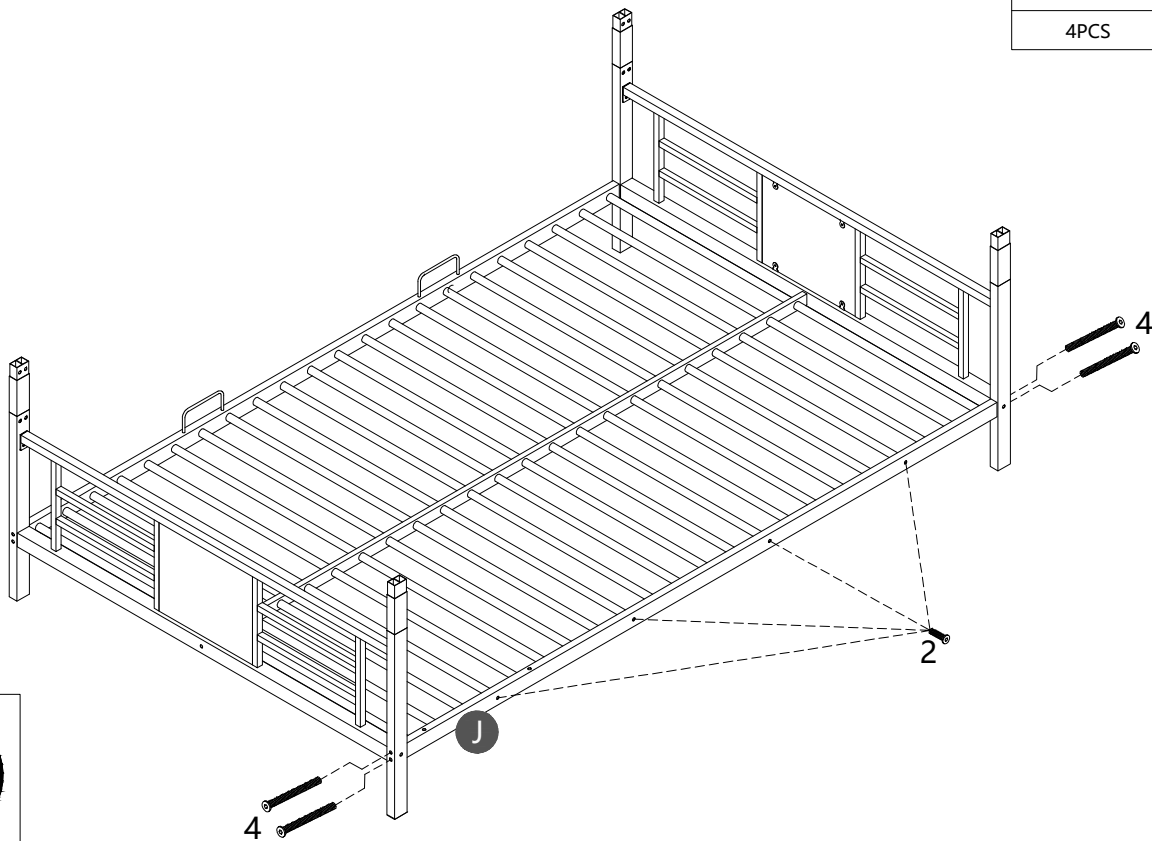
STEP 5:





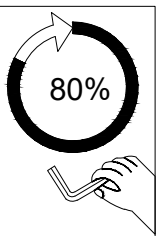
2

4PCS





STEP 6:

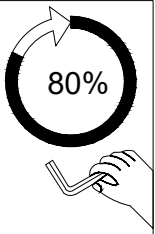
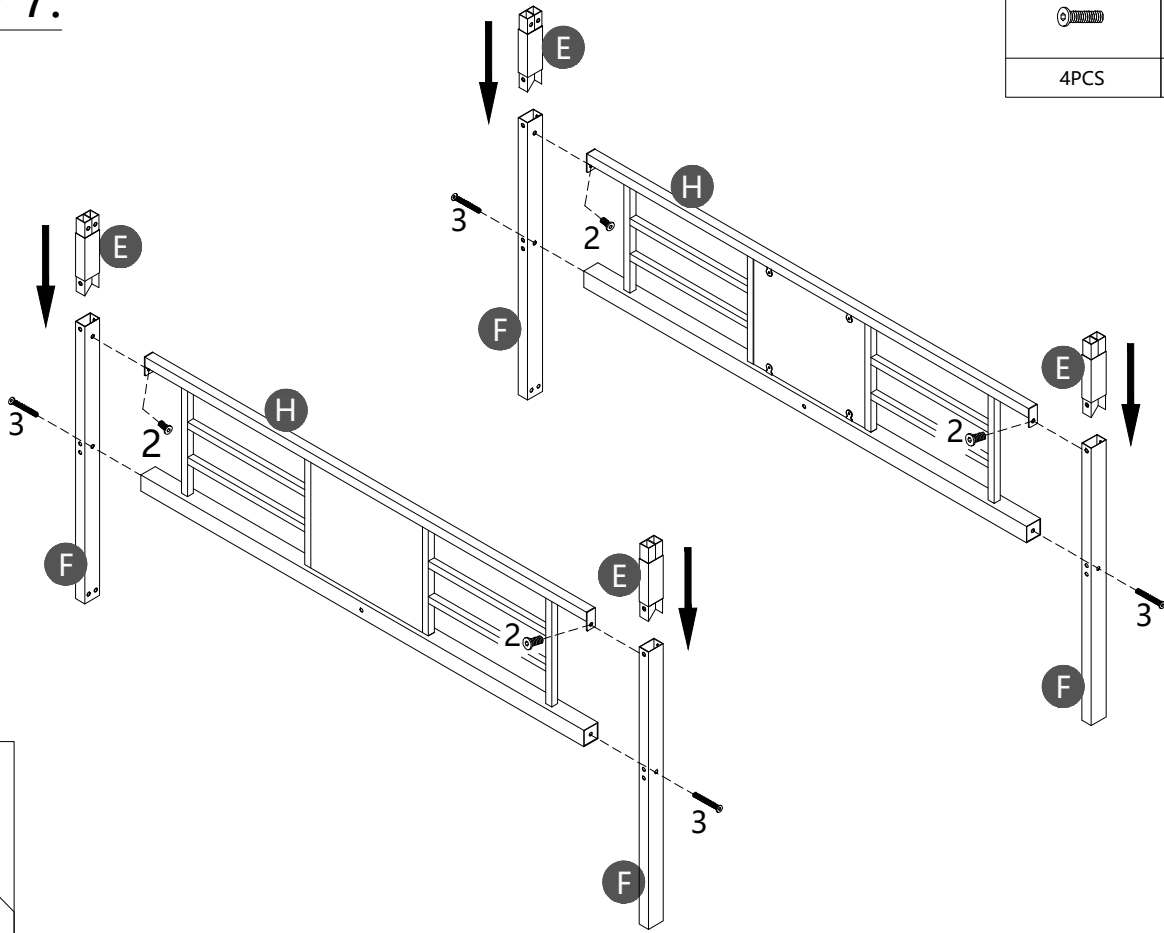


2	4
	
4PCS	4PCS




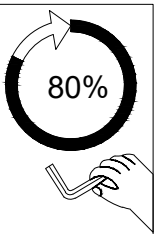
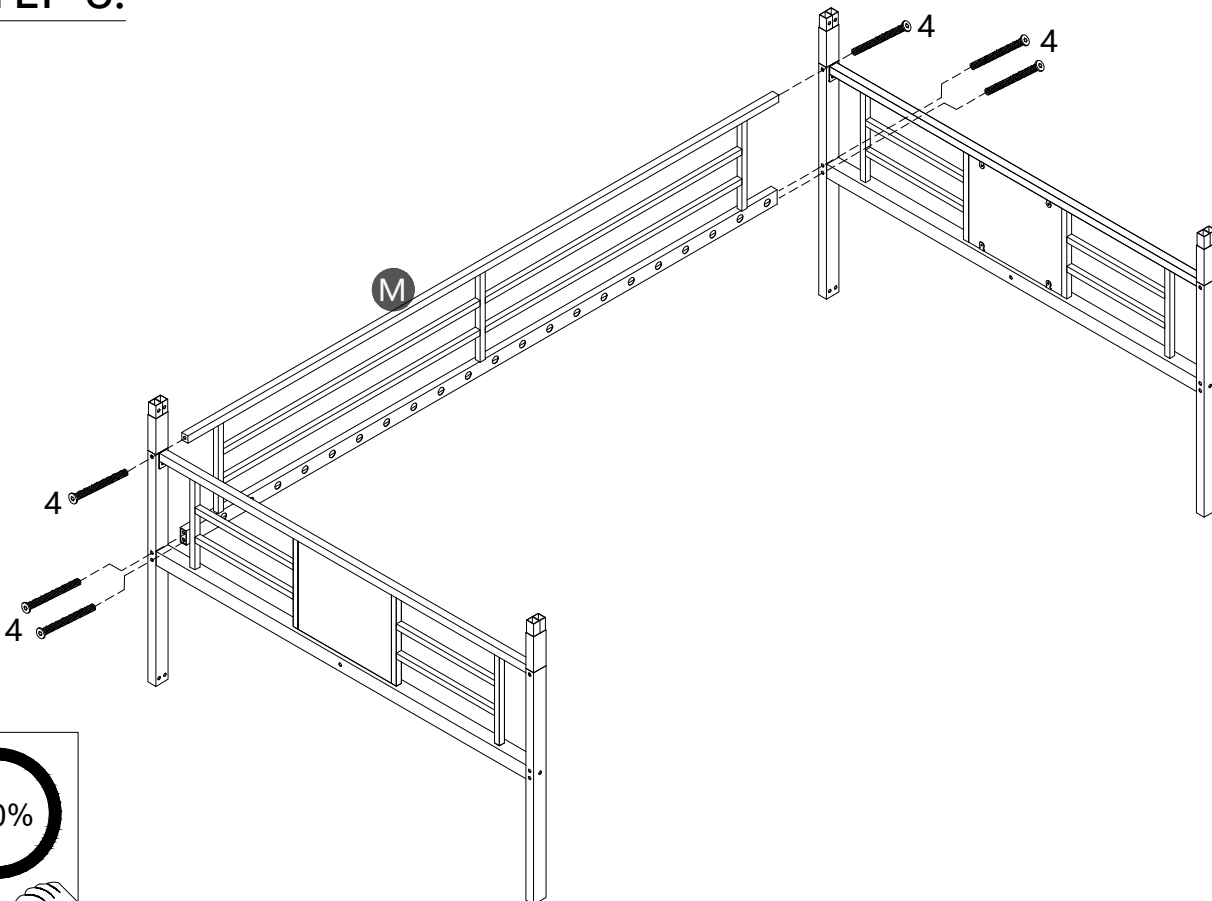
STEP 7:

2	3
	
4PCS	4PCS




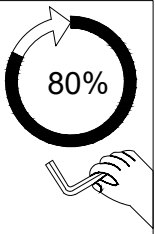
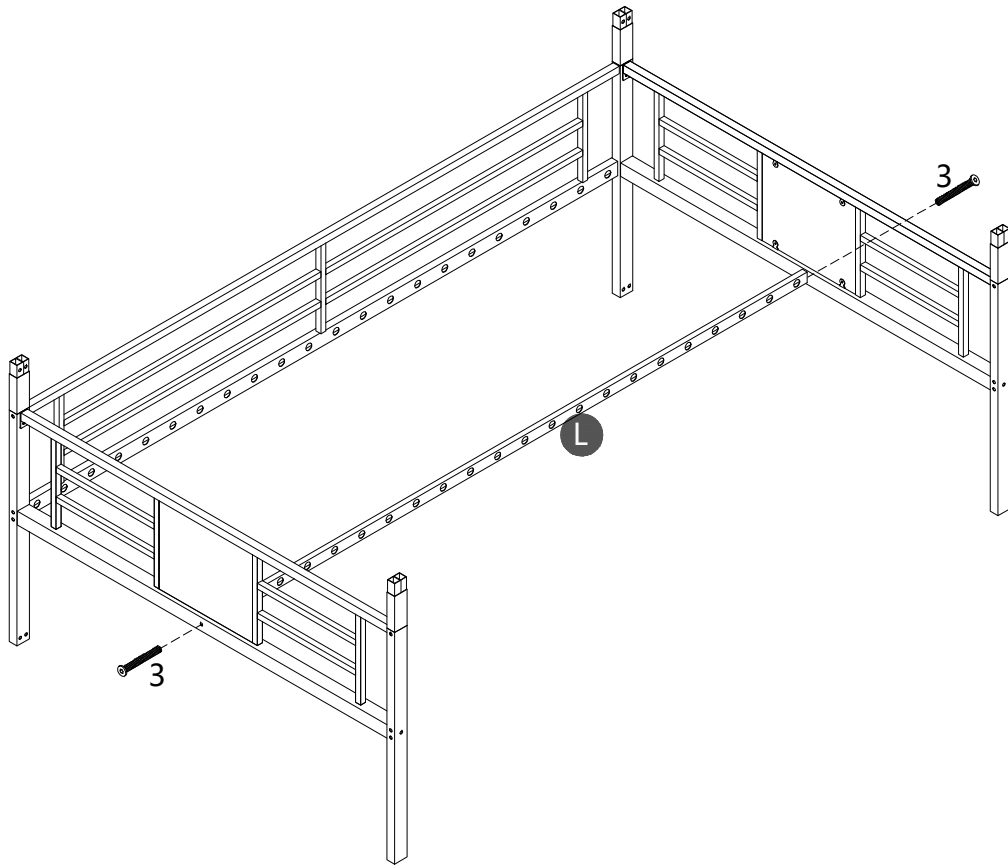
STEP 8:

4

6PCS




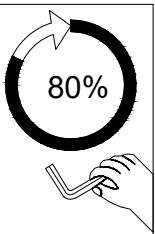
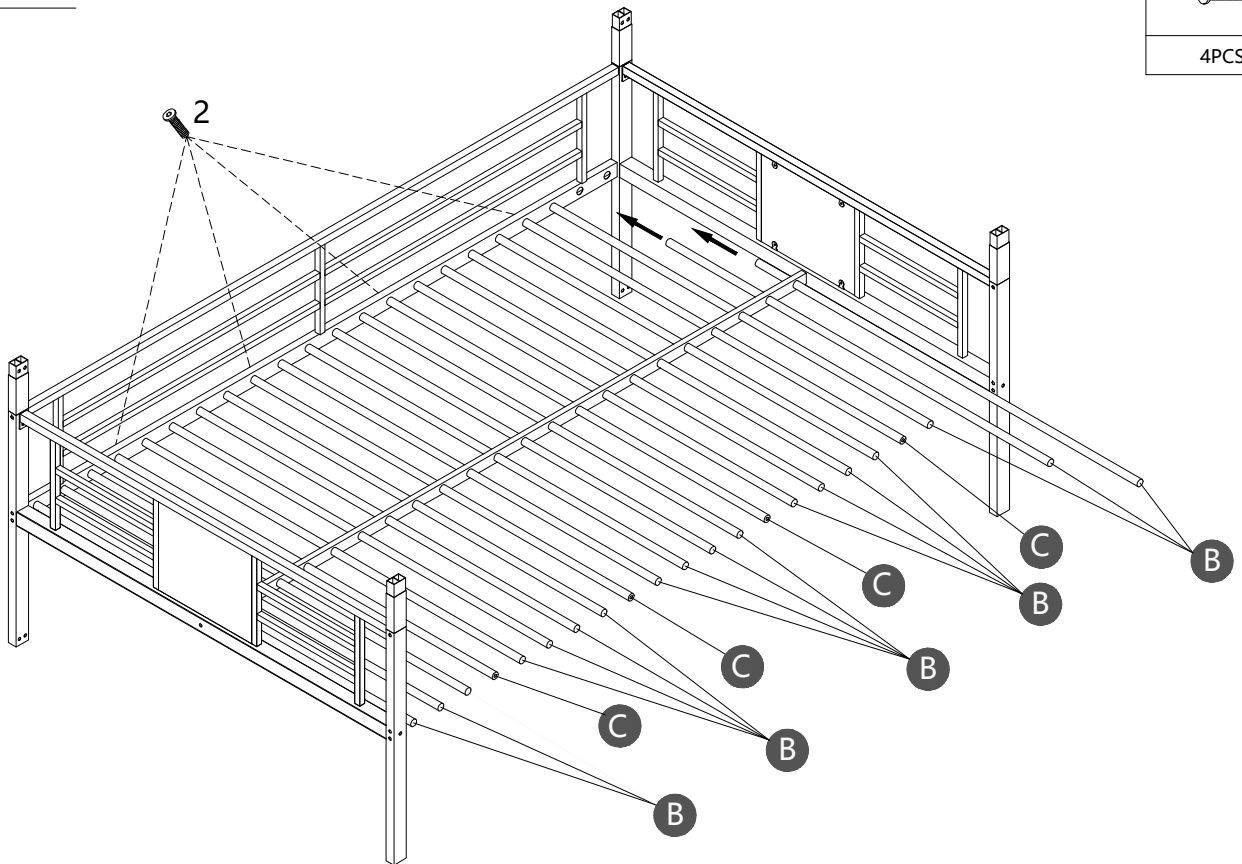
STEP 9:

3

2PCS





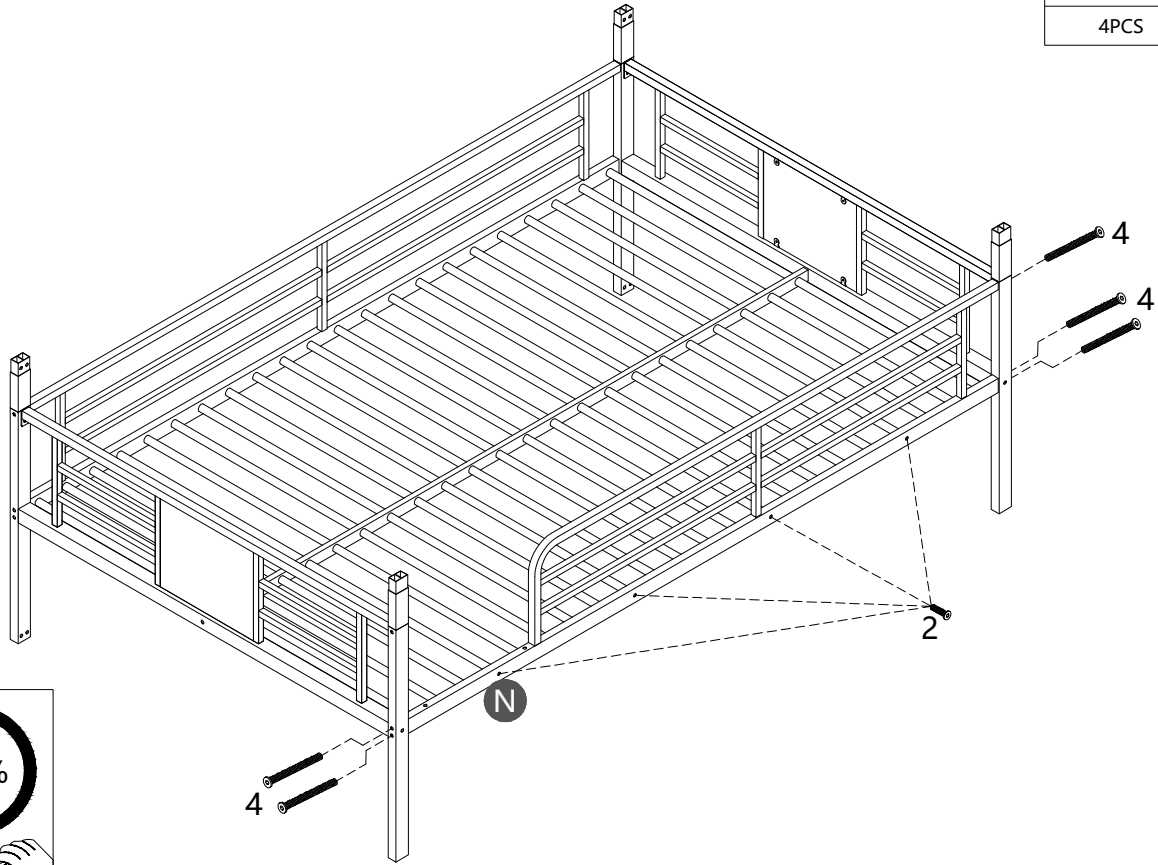
STEP 10:

2

4PCS





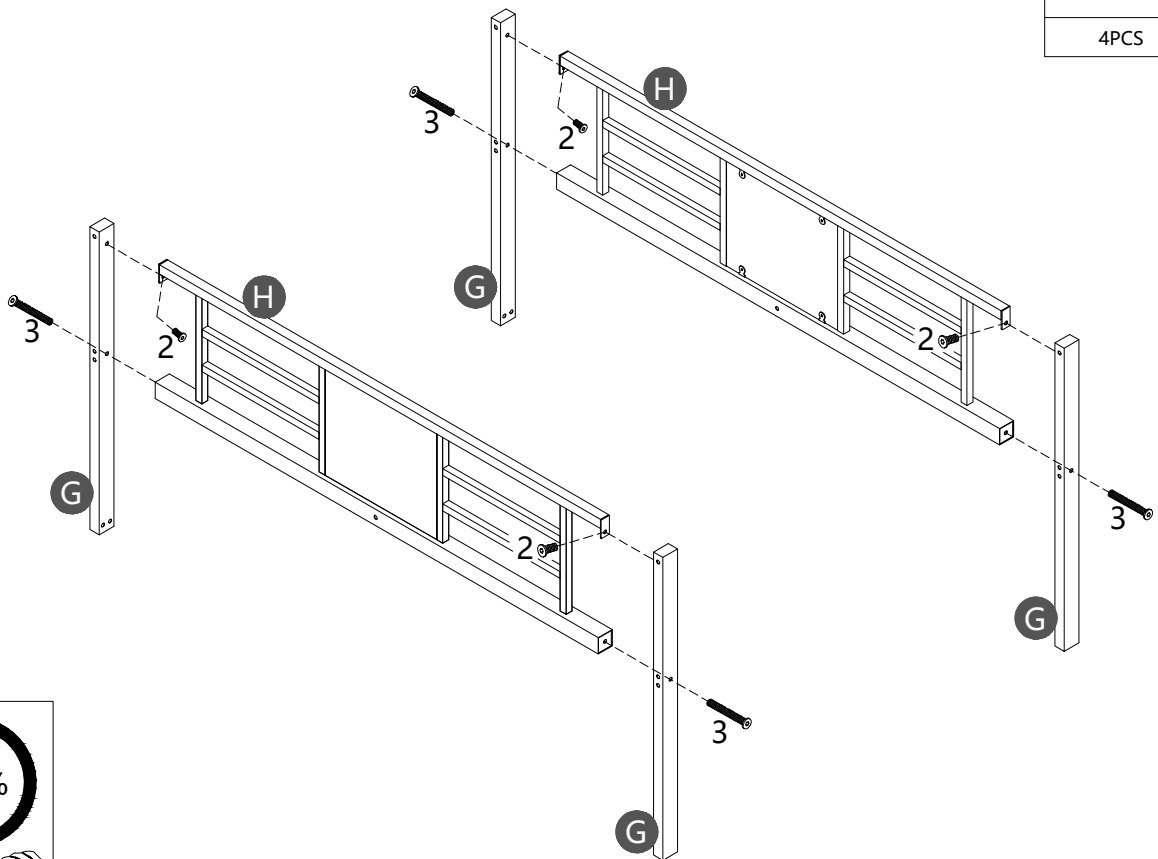
STEP 11:

2	4
	
4PCS	5PCS

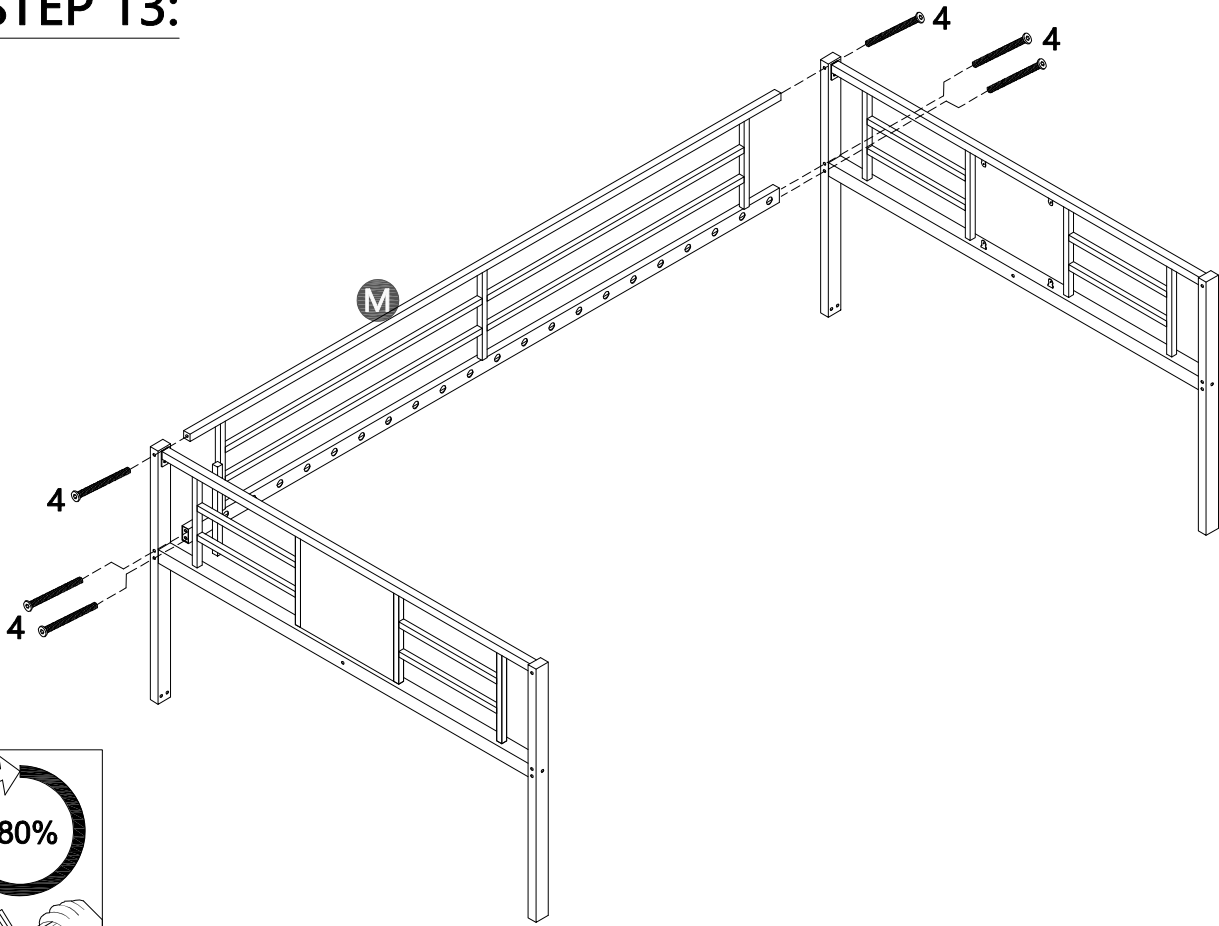



STEP 12:

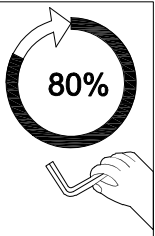
2	3
	
4PCS	4PCS



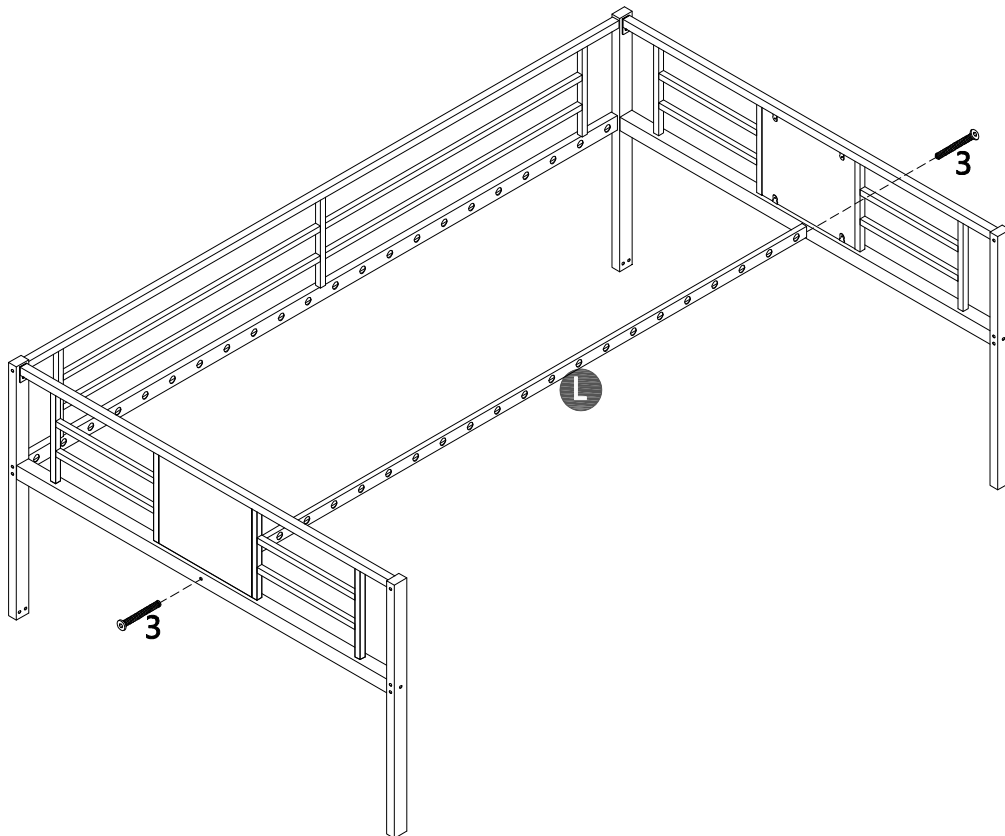
STEP 13:




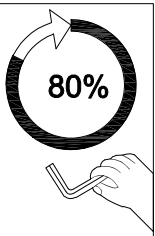
4

6PCS




STEP 14:

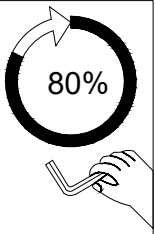
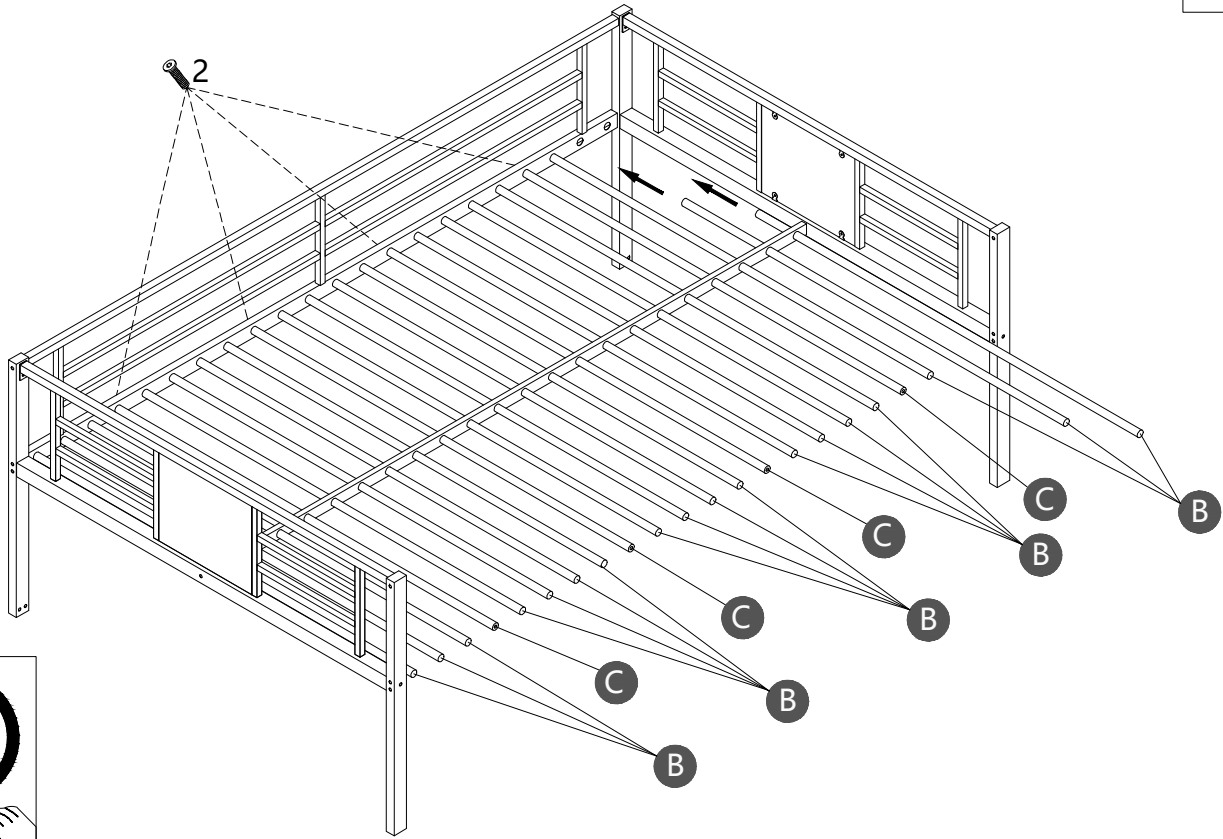


3

2PCS





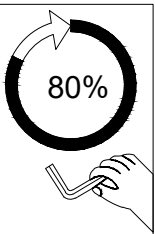
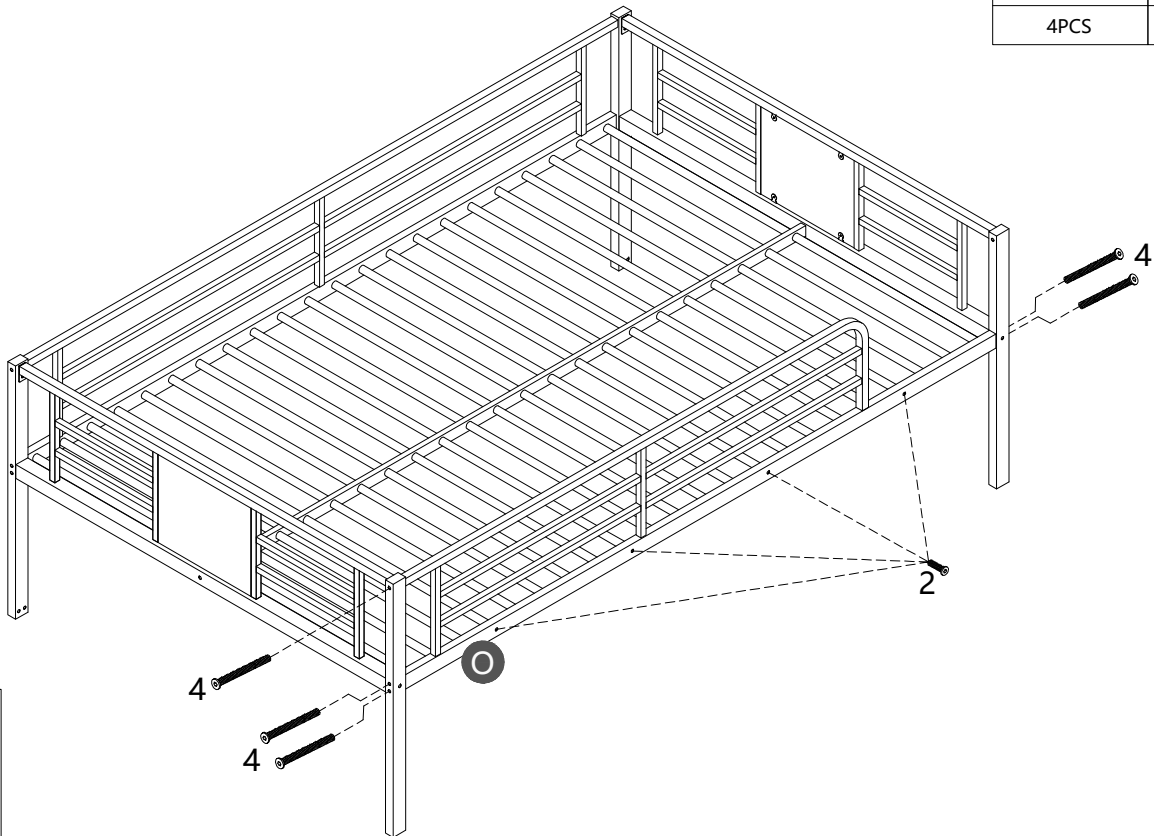
STEP 15:

2

4PCS




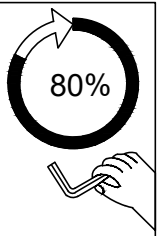
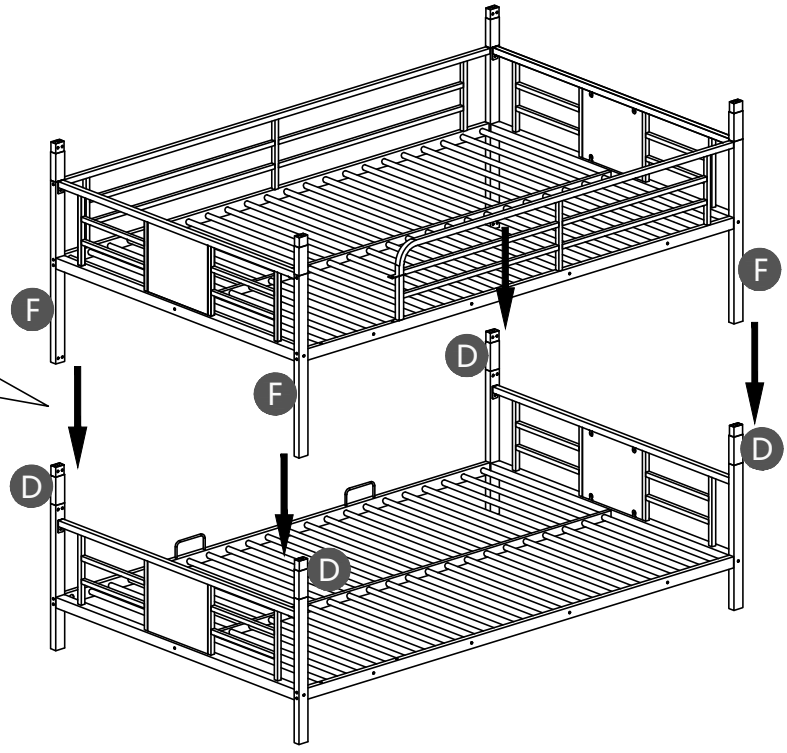
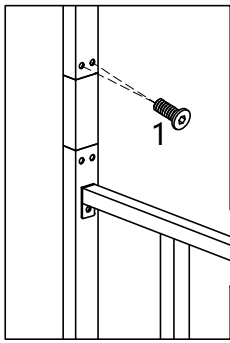
STEP 16:

2	4
	
4PCS	5PCS




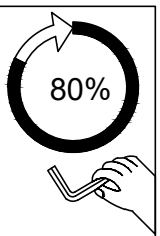
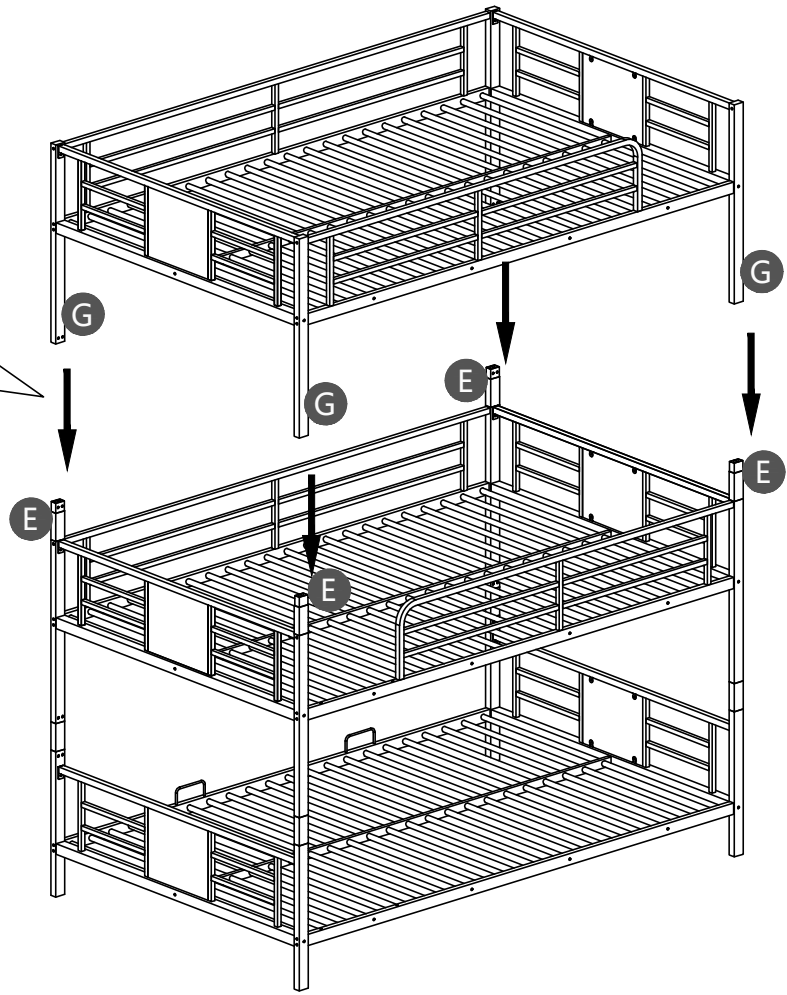
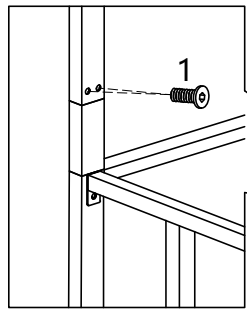
STEP 17:

1

8PCS

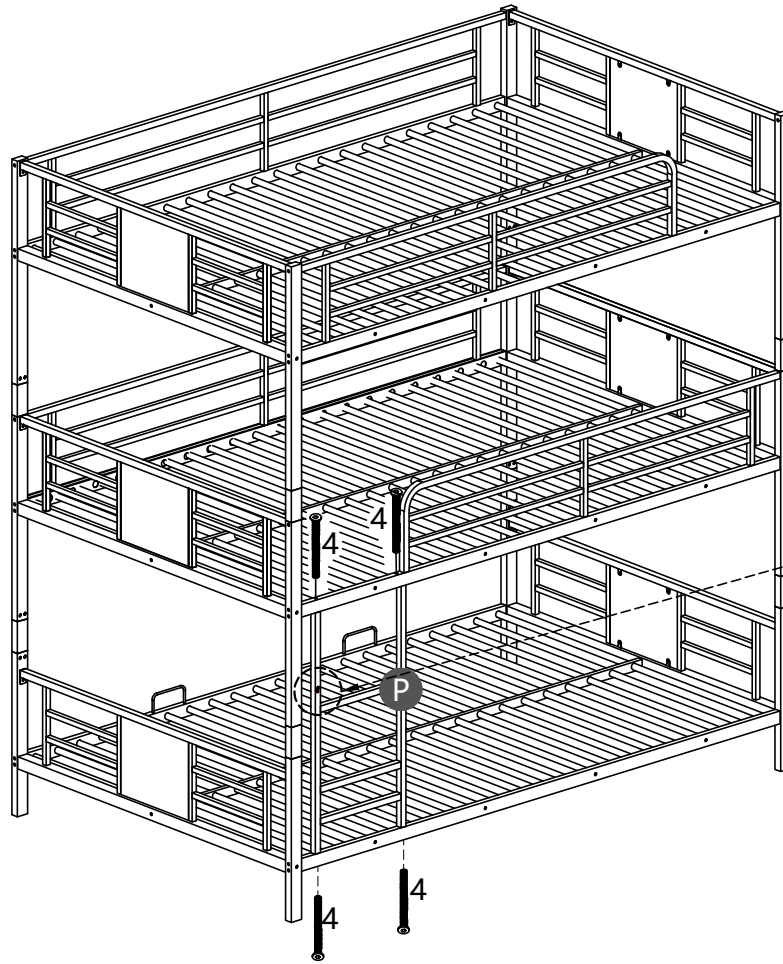



STEP 18:

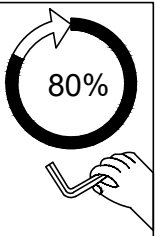
1

8PCS



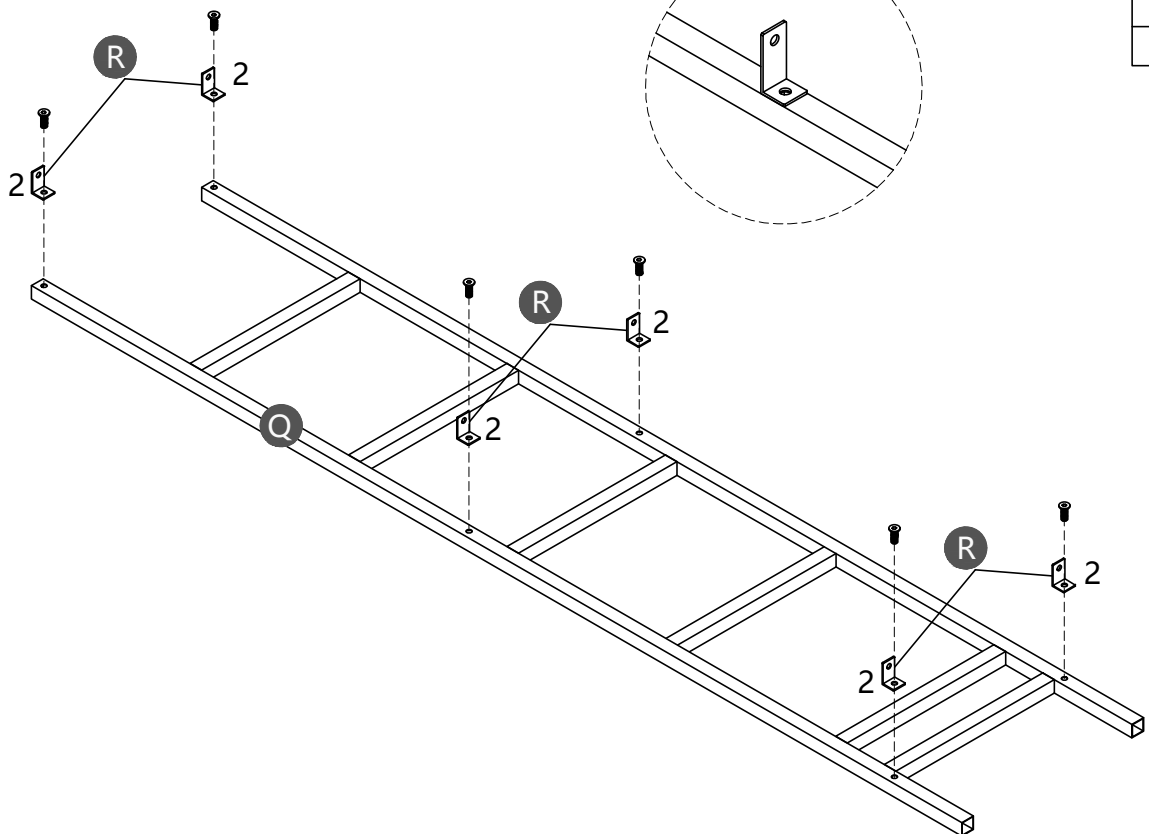
STEP 19:




4

4PCS




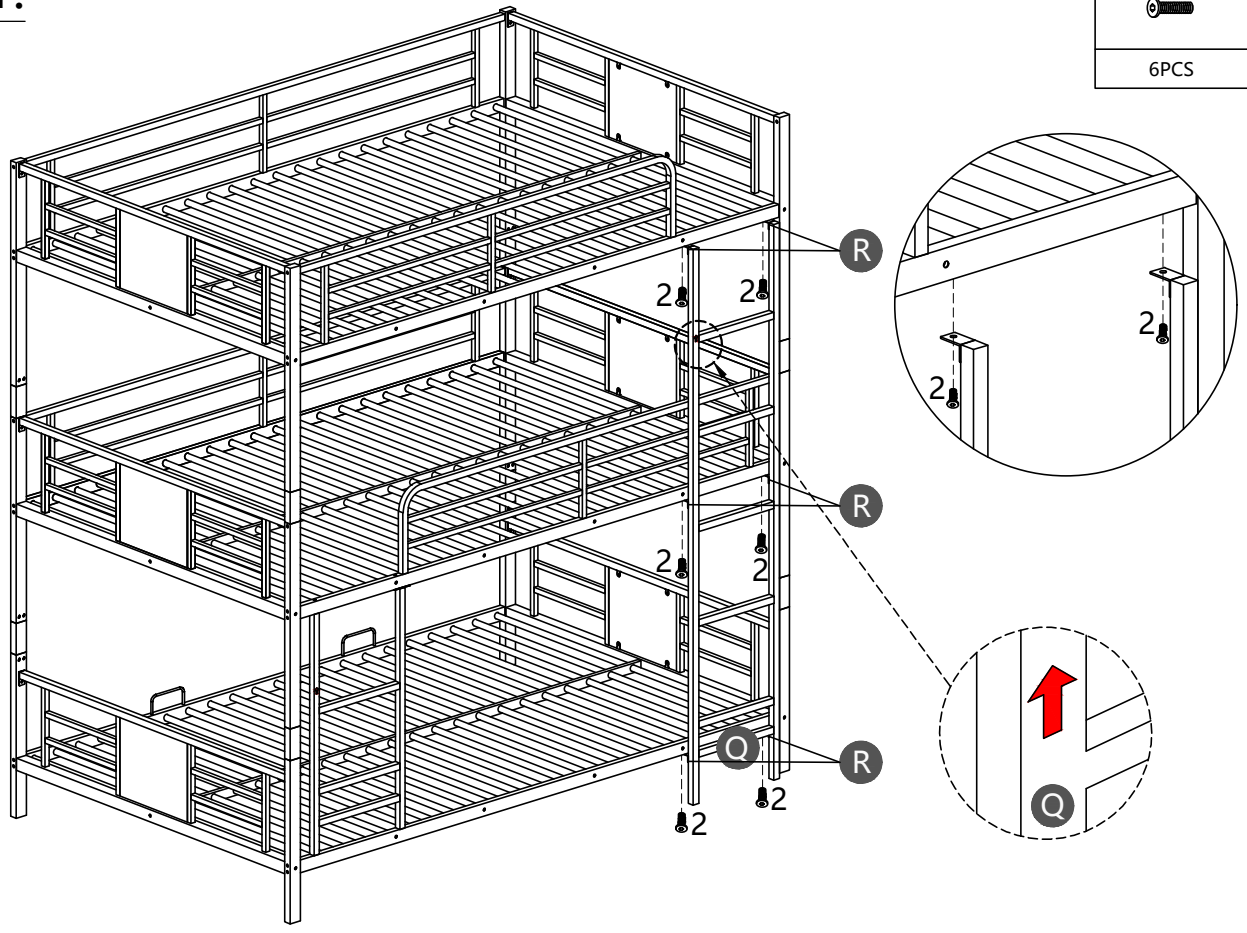
STEP 20:



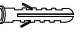
2

6PCS

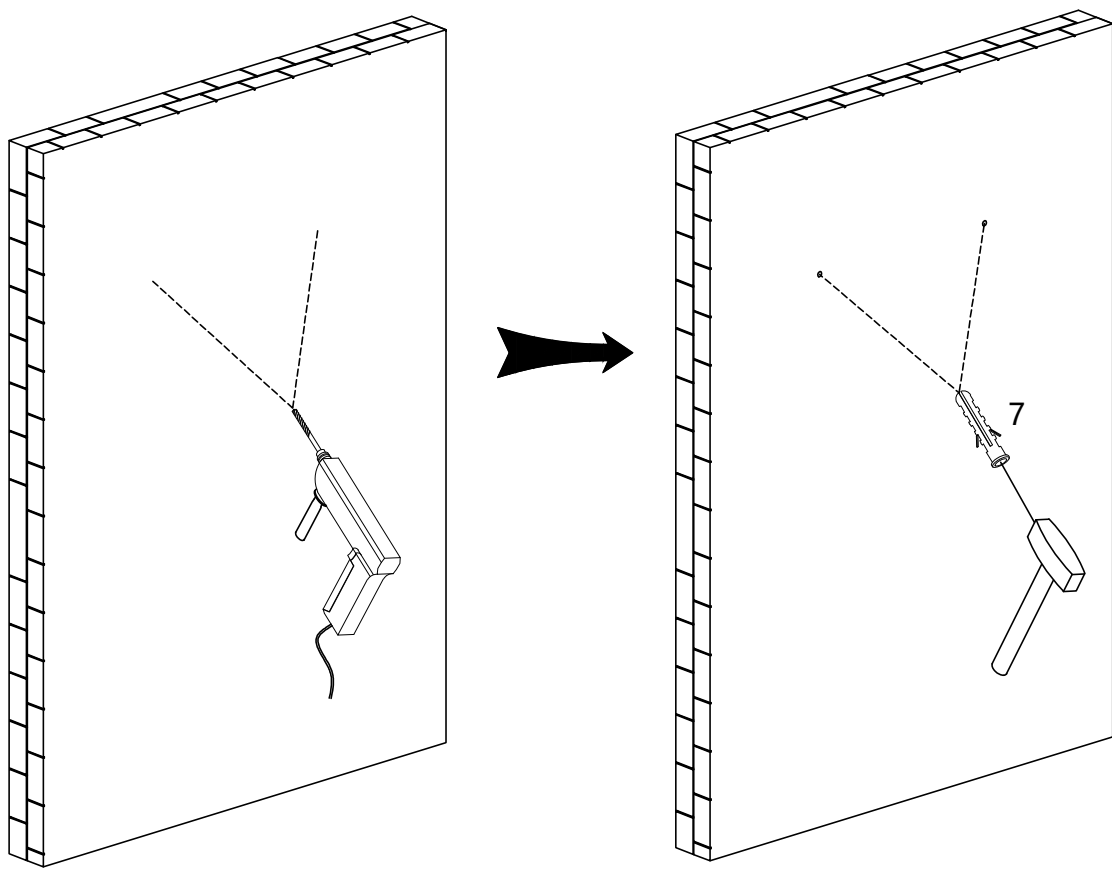
STEP 21:

2

6PCS





STEP 22:

7

2PCS



STEP 23:

8	9
	
2PCS	2PCS

