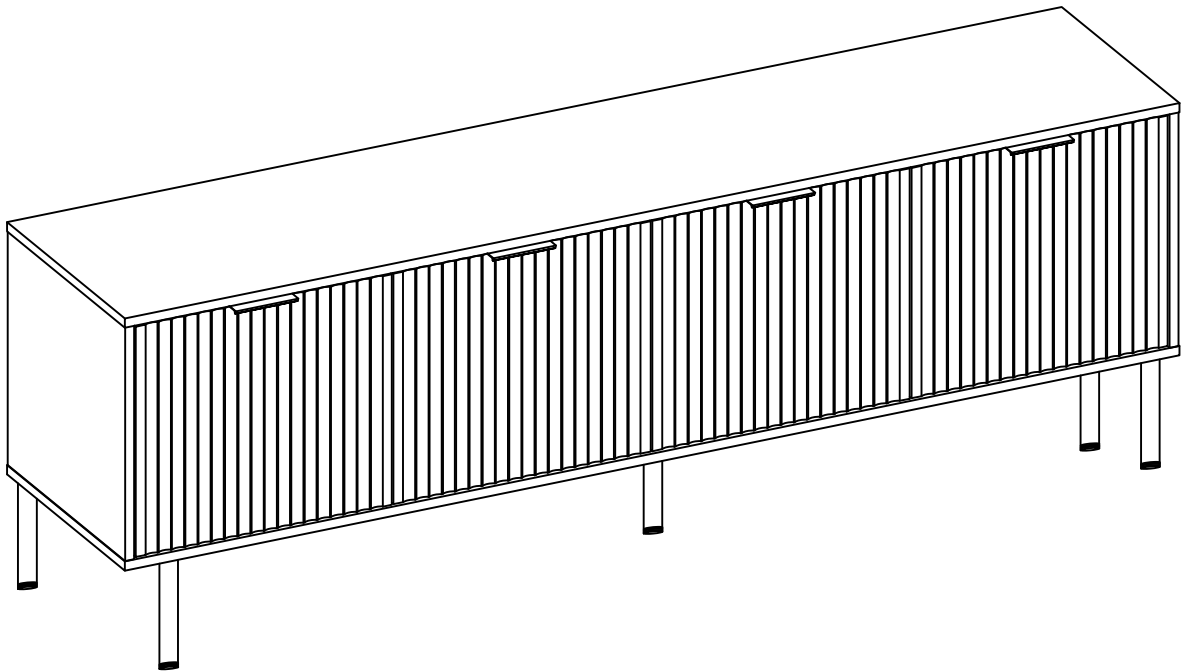
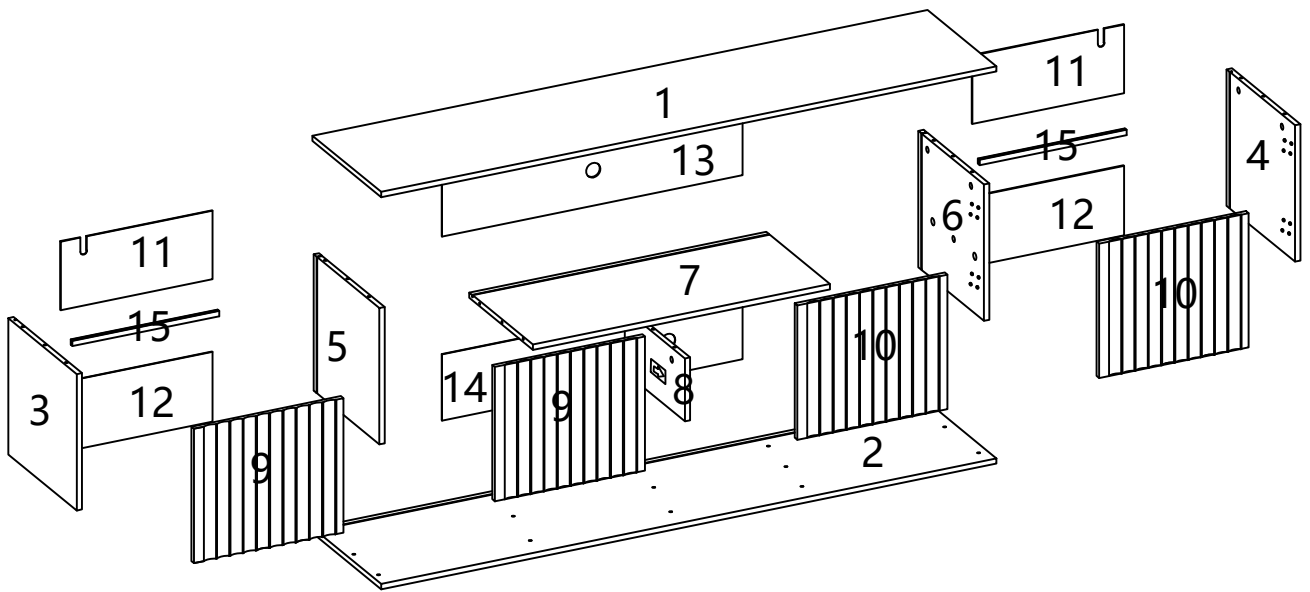

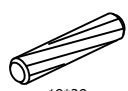
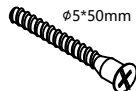

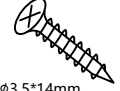
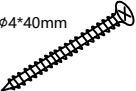


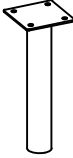
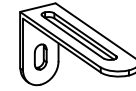
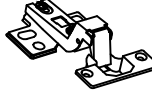




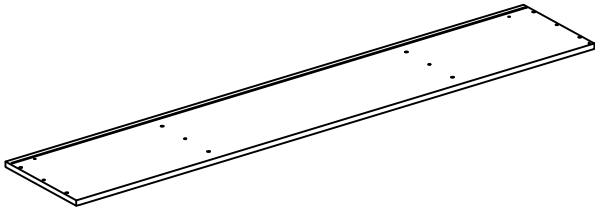
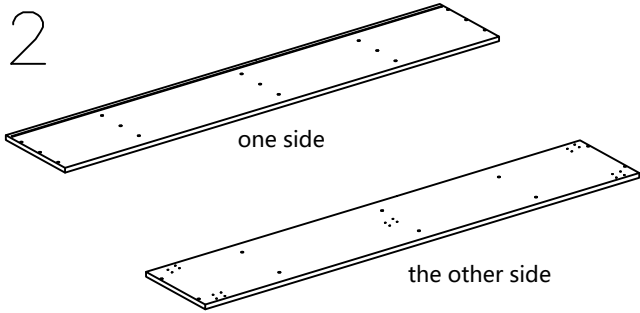
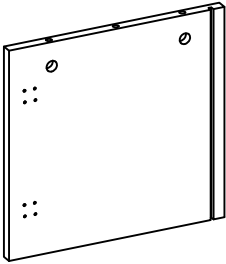
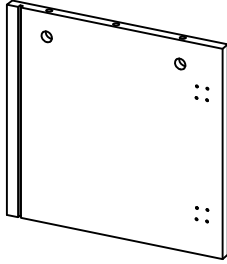
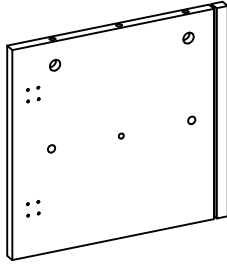
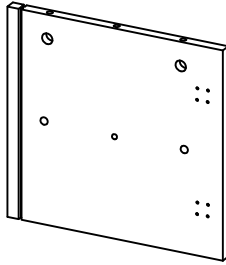
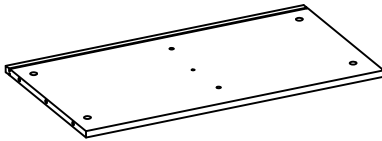
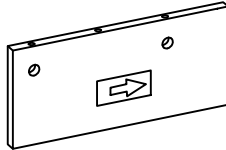
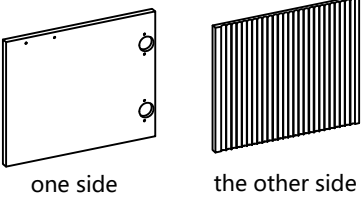
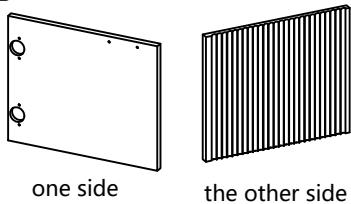
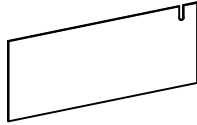
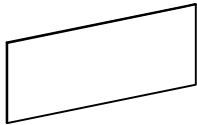
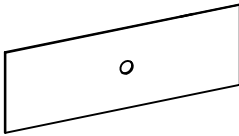
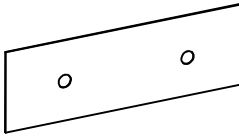


Installation & Assembly

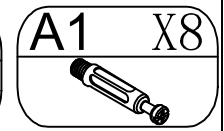
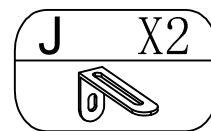
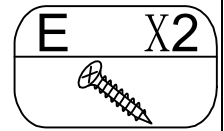
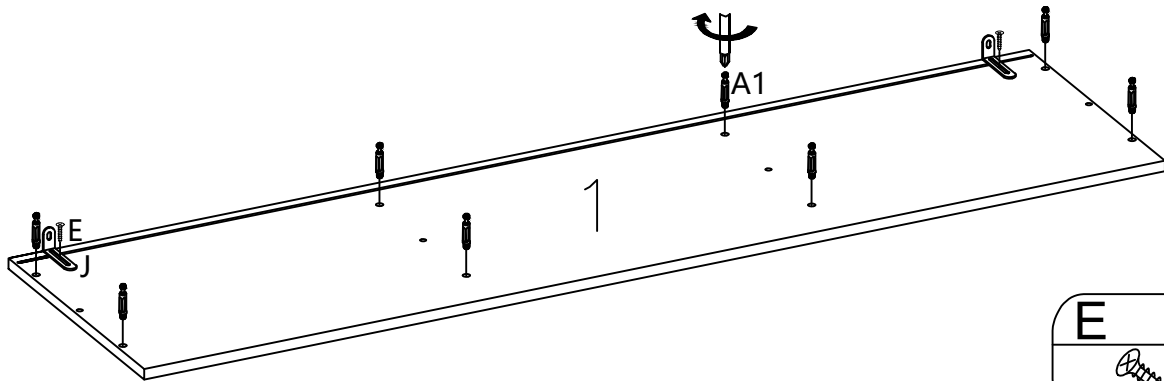
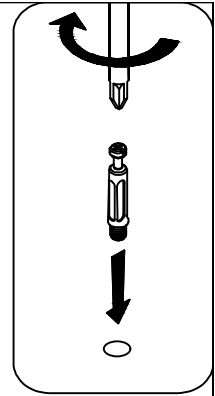
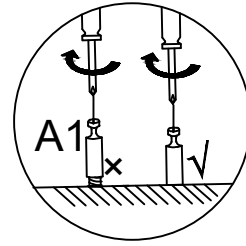




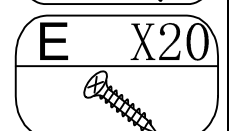
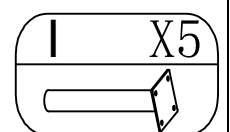
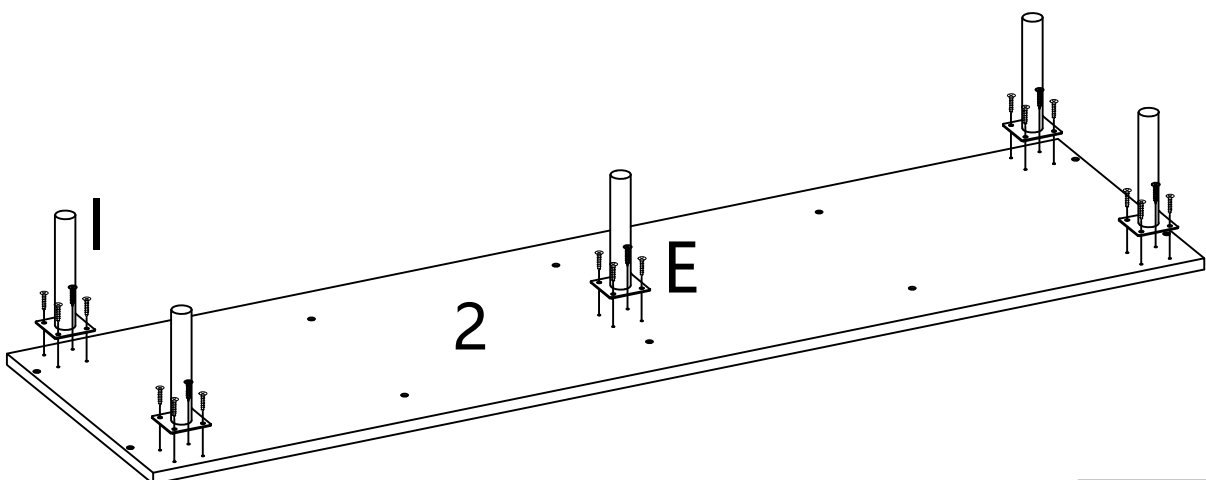
A  φ15*9.5mm A2 φ7*40mm A1 14PCS	B  φ8*30mm 12PCS	C  φ5*50mm 10PCS	D  φ3.5*12mm 24PCS	E  φ3.5*14mm 74PCS	F  φ4*40mm 2PCS	G  2PCS	H  4PCS
I  5PCS	J  2PCS	K  4PCS	L  4PCS	M  20PCS	N  24PCS	15 X2  L=420.5mm	

<p>1</p>  <p>1750*380*15mm 1pc</p>	<p>2</p>  <p>1750*380*15mm 1pc</p>	
<p>3</p>  <p>380*379*15mm 1pc</p>	<p>4</p>  <p>380*379*15mm 1pc</p>	<p>5</p>  <p>380*363*15mm 1pc</p>
<p>6</p>  <p>380*363*15mm 1pc</p>	<p>7</p>  <p>843*363*15mm 1pc</p>	<p>8</p>  <p>175*342*15mm 1pc</p>
<p>9</p>  <p>375*426.5*15mm 2pcs</p>	<p>10</p>  <p>375*426.5*15mm 2pcs</p>	<p>11</p>  <p>194*431.5*3mm 2pcs</p>
<p>12</p>  <p>194*431.5*3mm 2pcs</p>	<p>13</p>  <p>199*851*3mm 1pc</p>	<p>14</p>  <p>184*851*3mm 1pc</p>

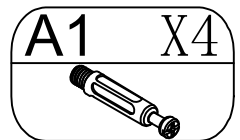
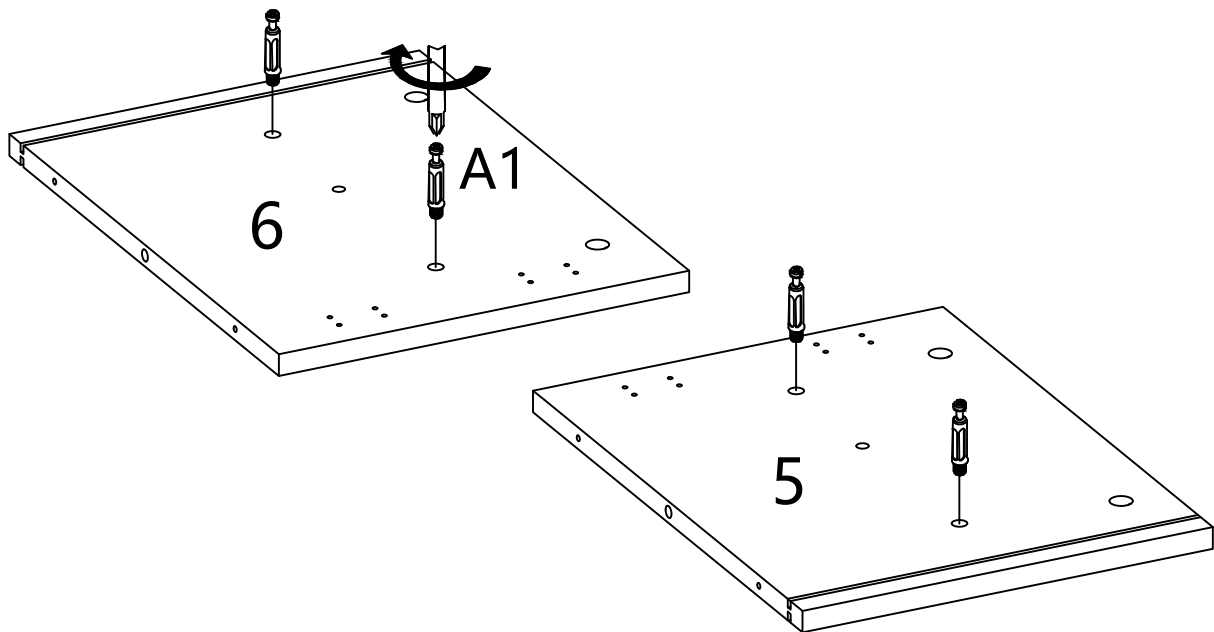
STEP 1



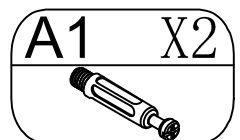
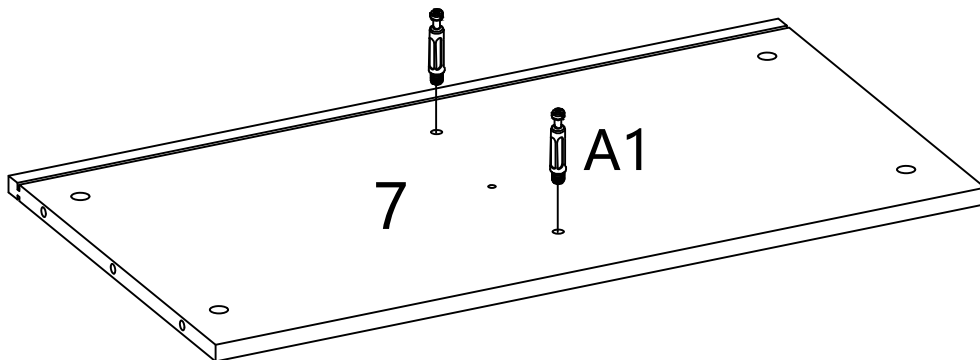
STEP 2



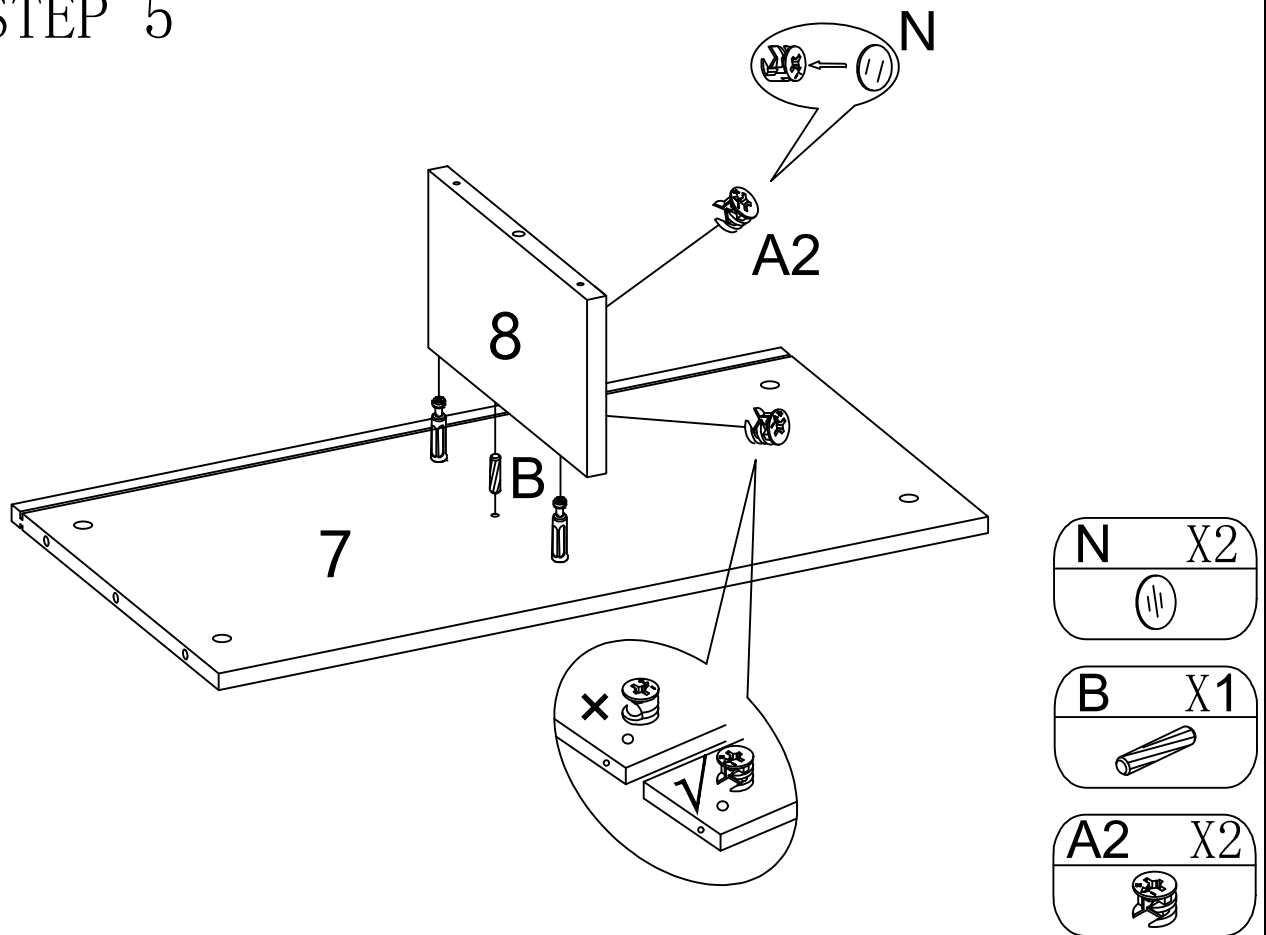
STEP 3



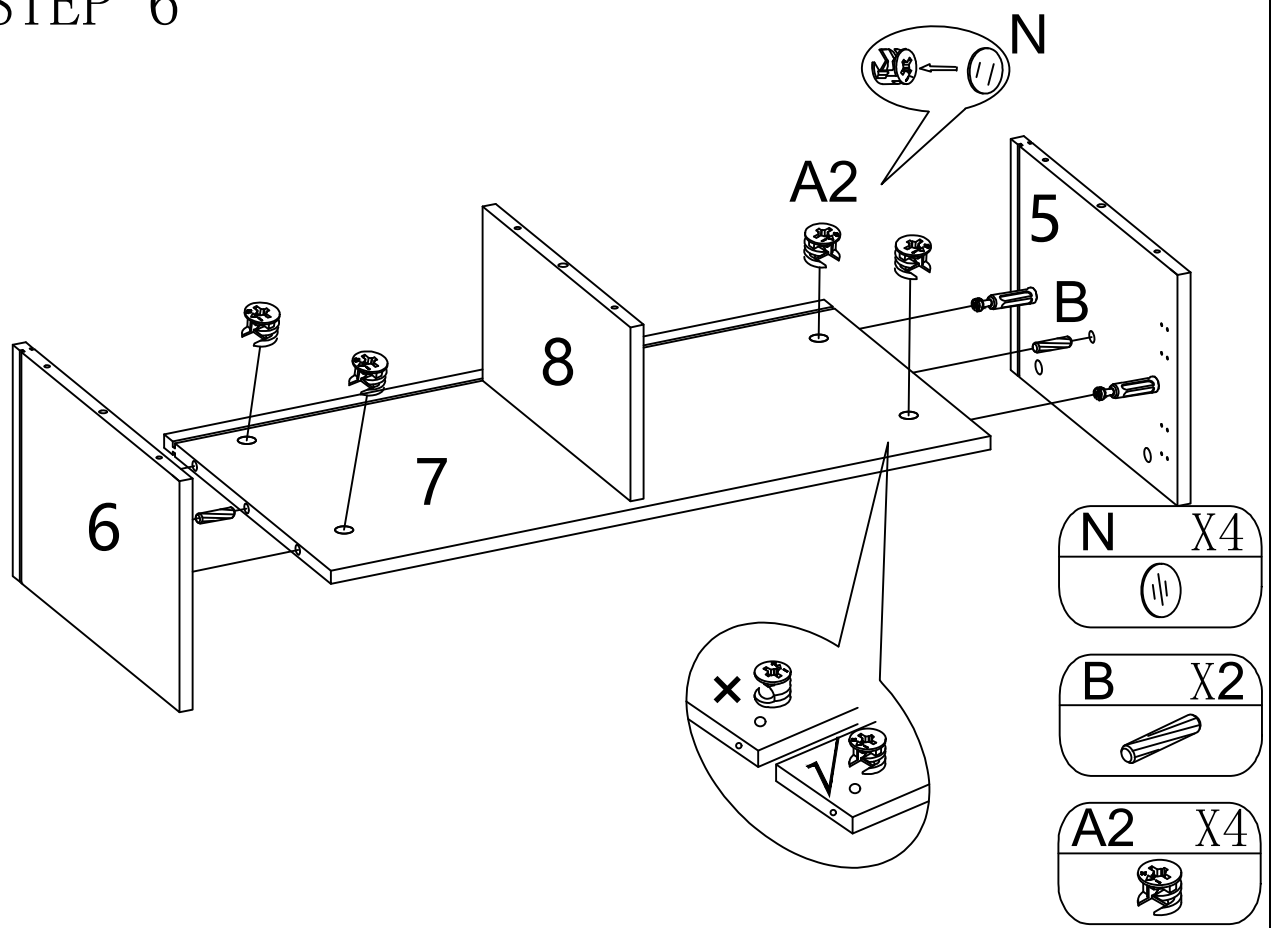
STEP 4



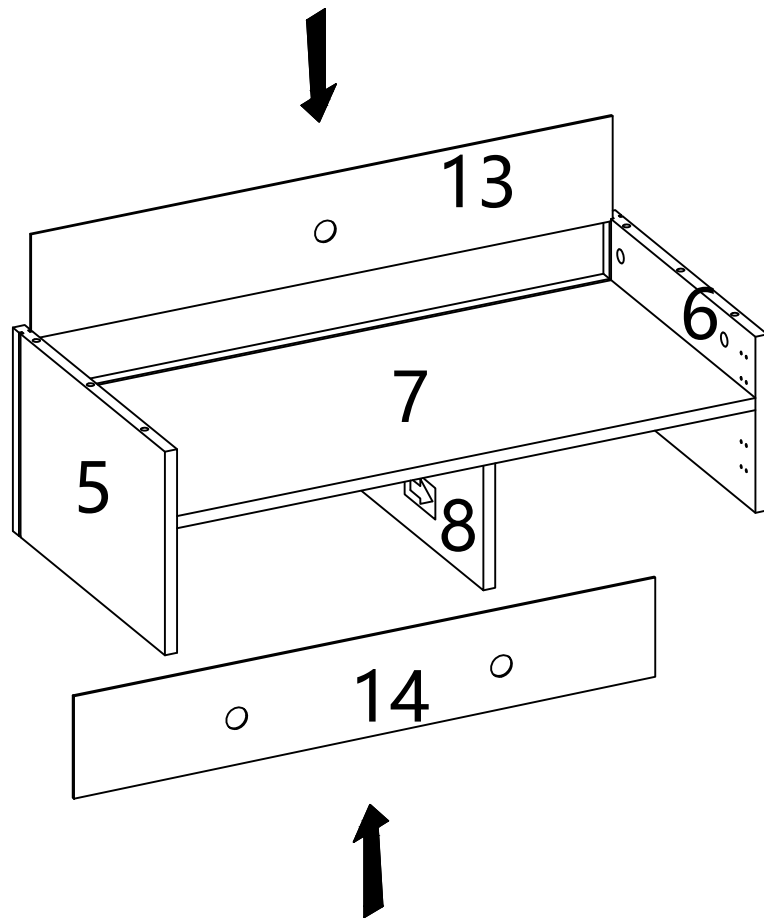
STEP 5



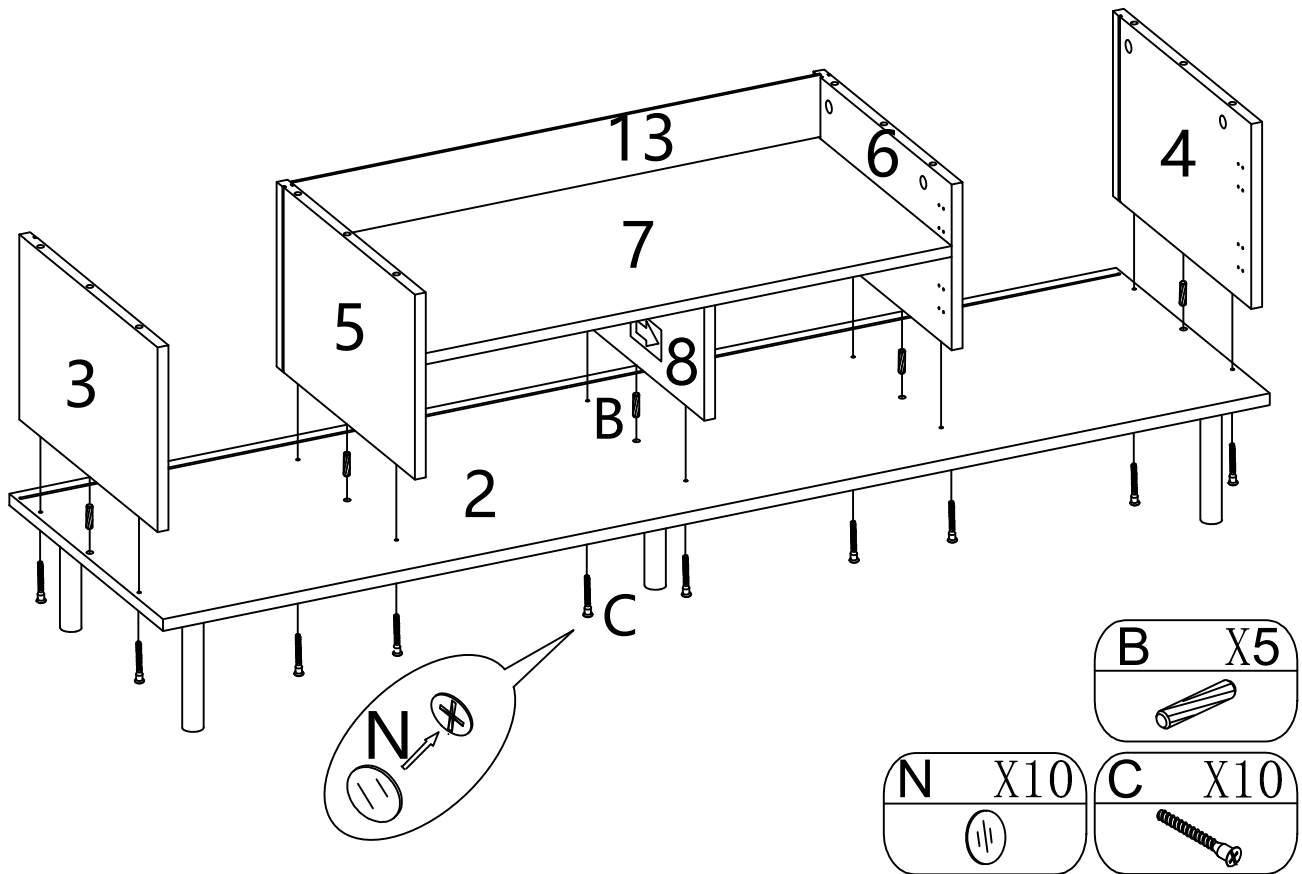
STEP 6



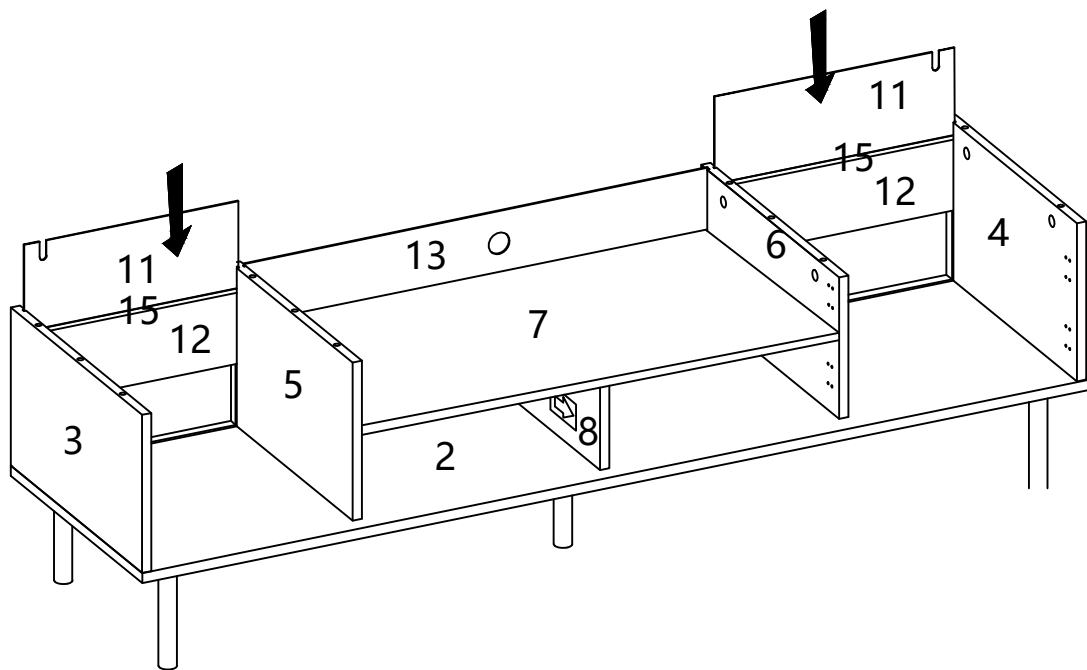
STEP 7



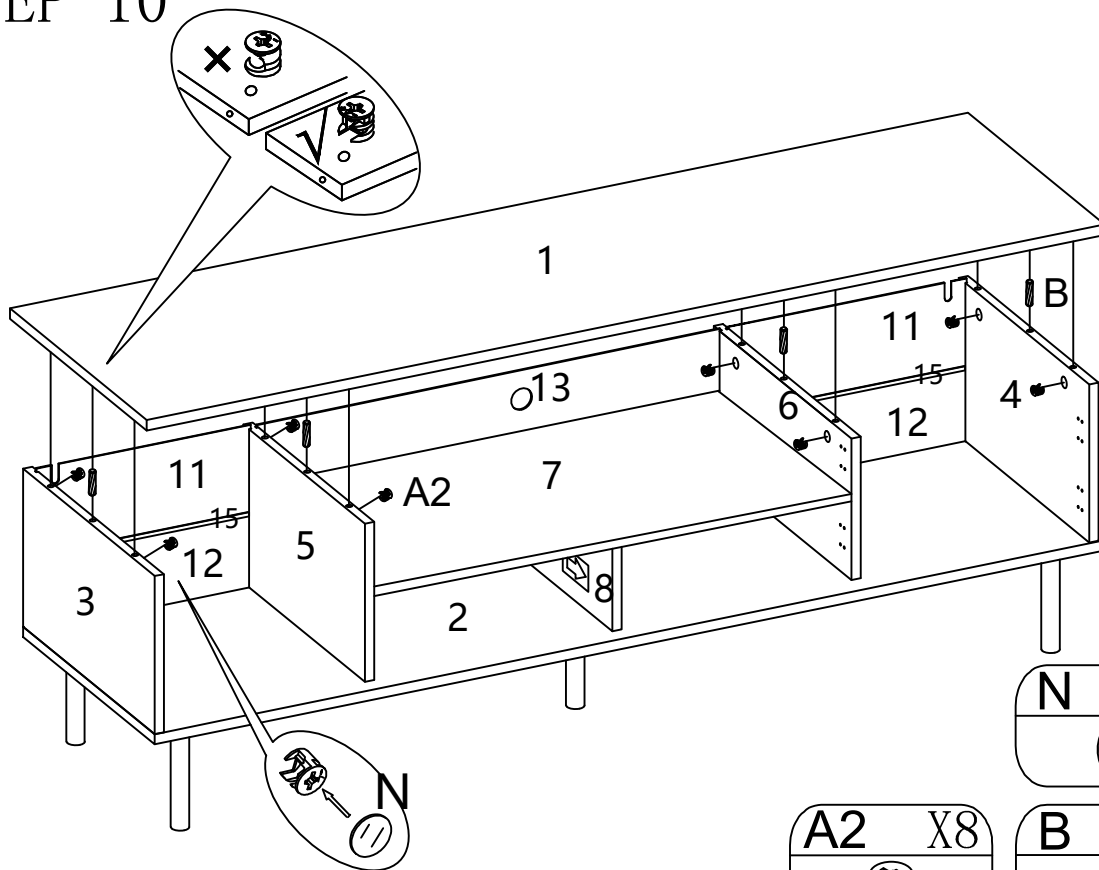
STEP 8




STEP 9




STEP 10



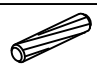
N X8



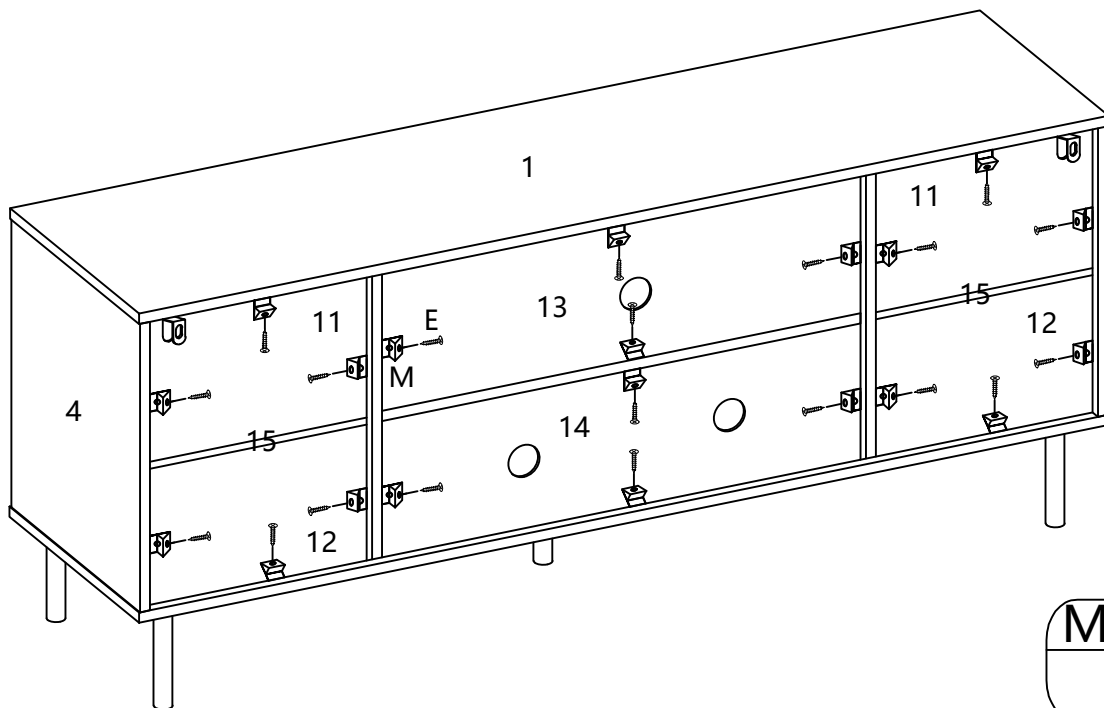
A2 X8




B X4




STEP 11



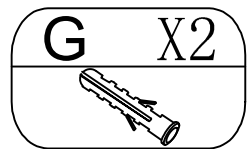
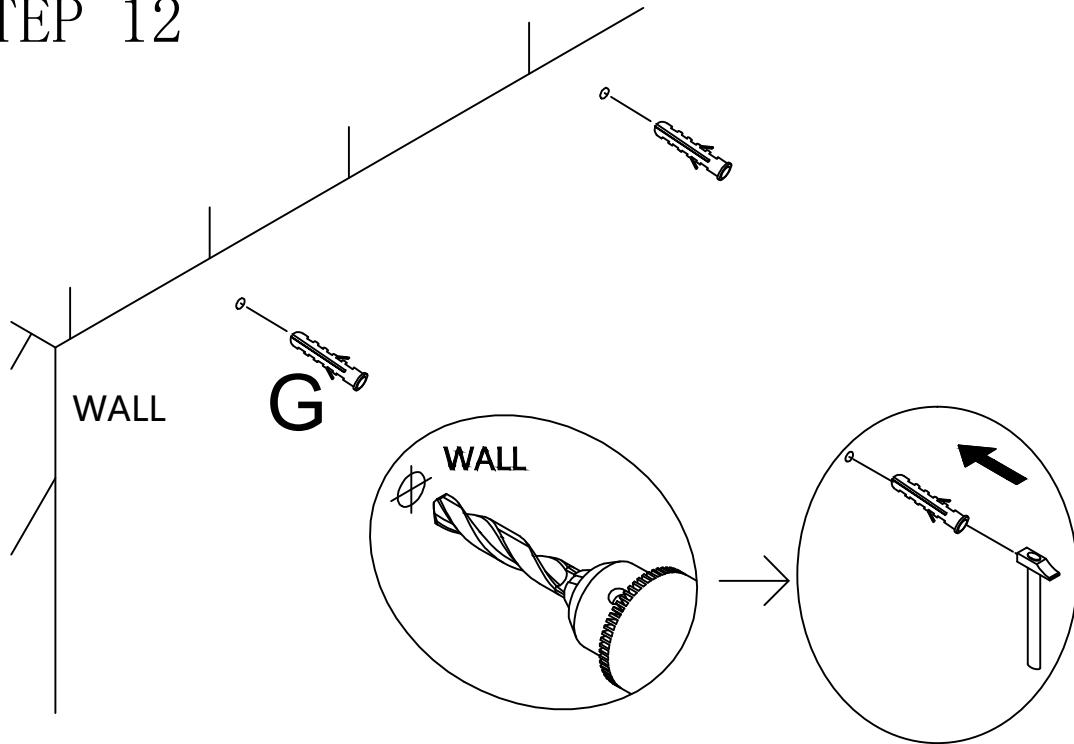
M X20



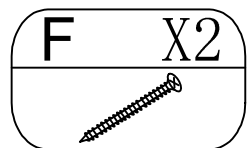
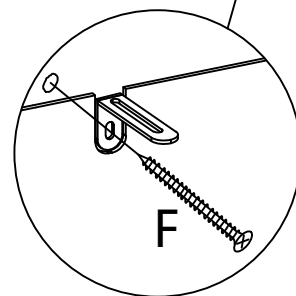
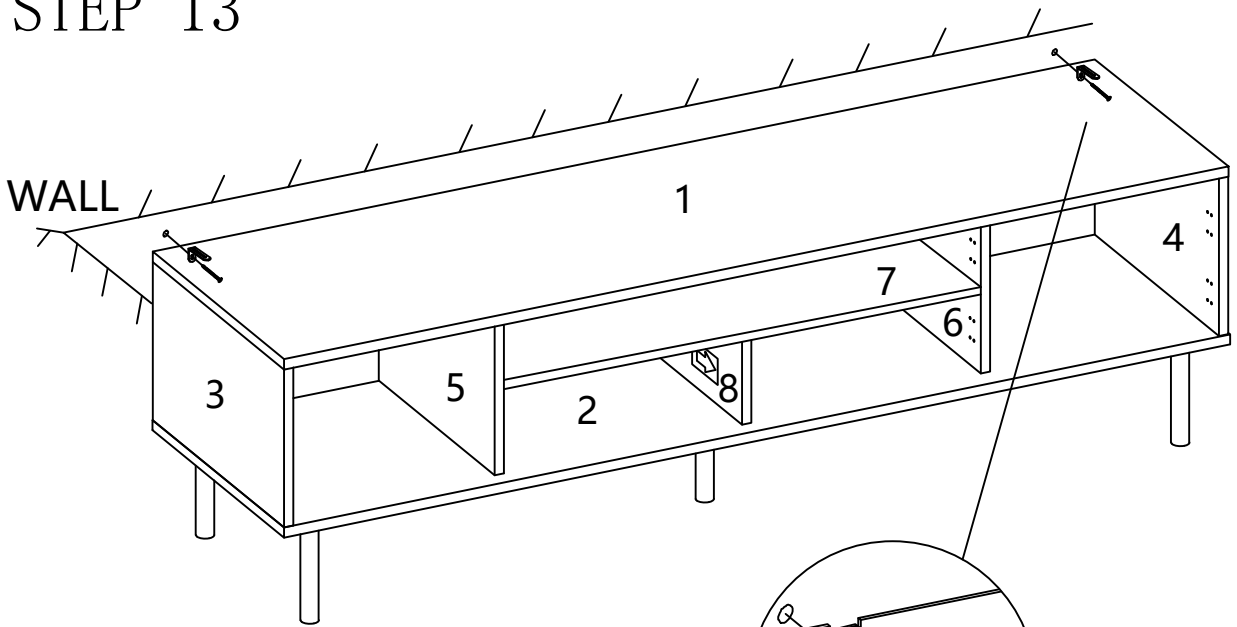
E X20



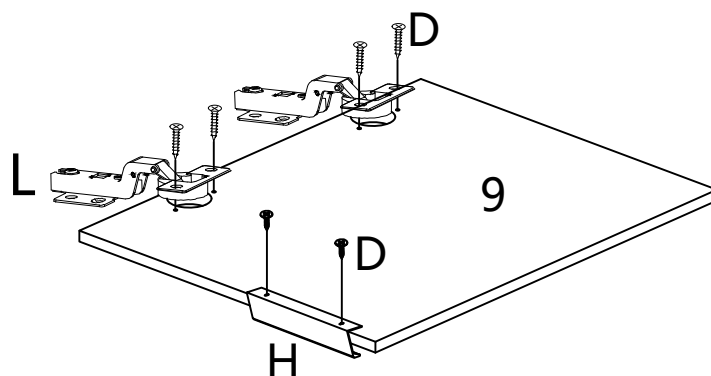
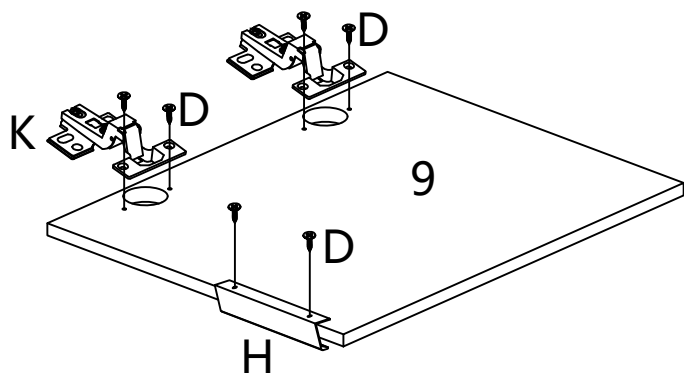
STEP 12



STEP 13



STEP 14



K X2



L X2



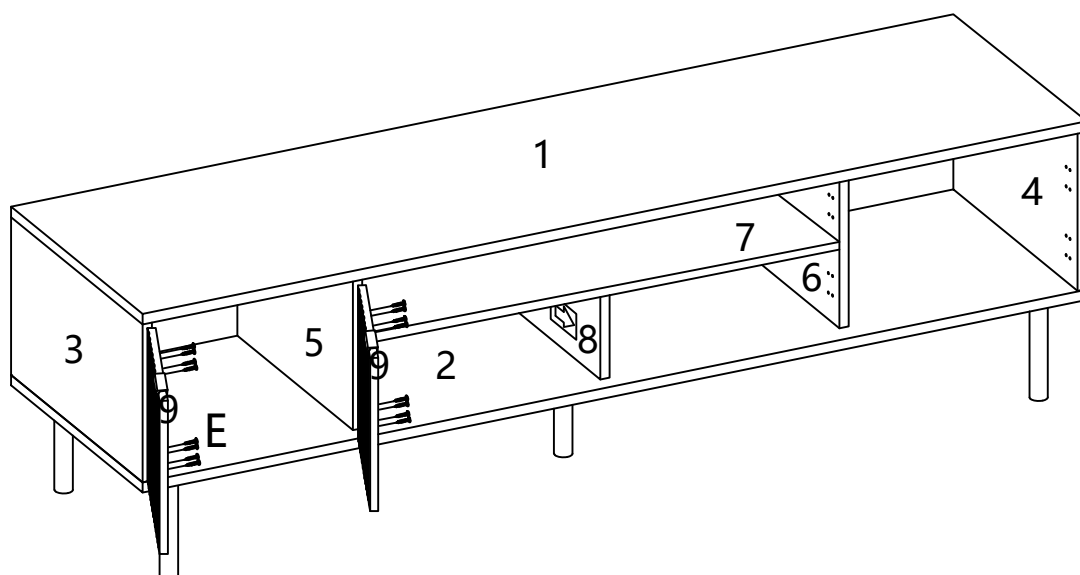
D X12



H X2



STEP 15

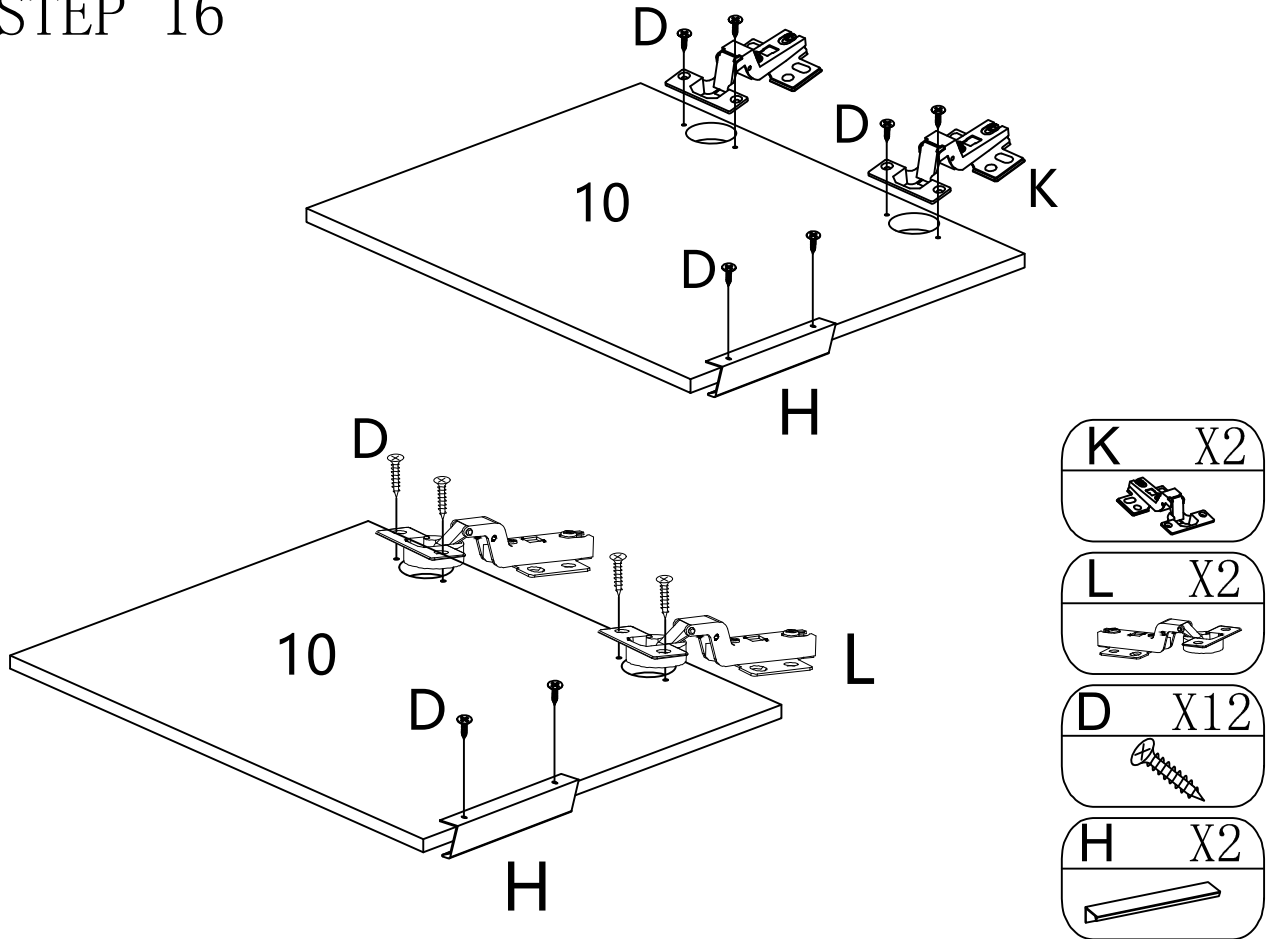


Install the 9th board of K hardware onto the 3rd board; Install plate 9 of L hardware onto plate 5.

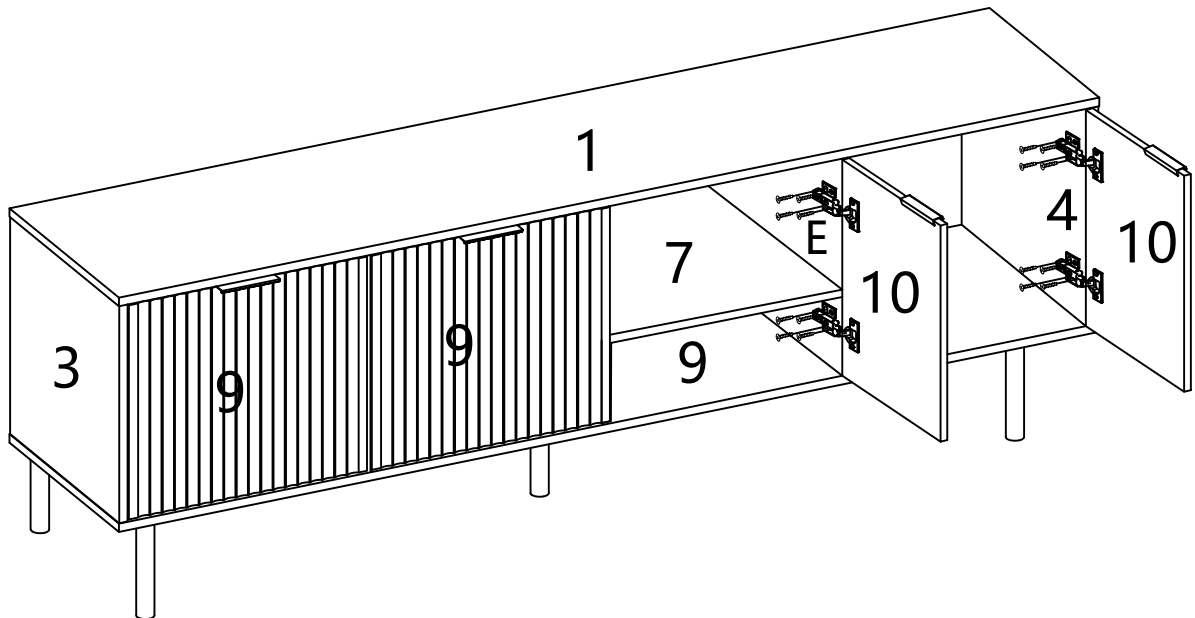
E X16



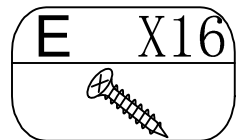
STEP 16



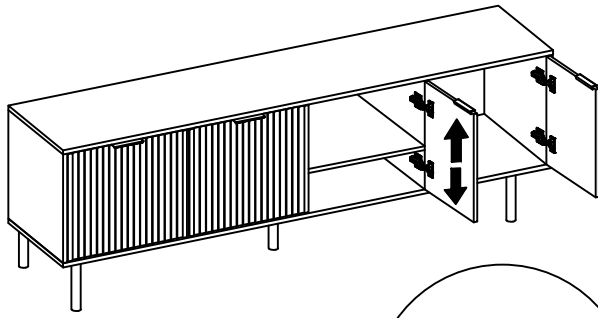
STEP 17



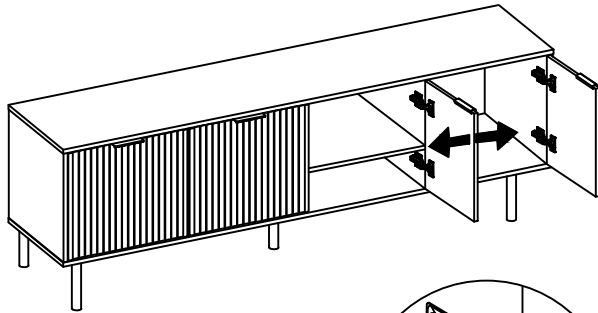
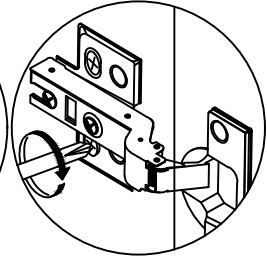
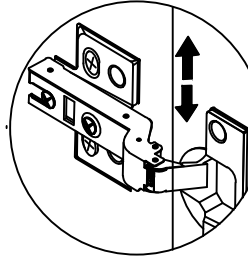
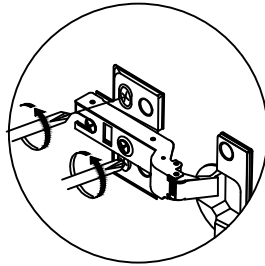
Install the 10th board of K hardware and install it on the 4th board; Install plate 10 of L hardware onto plate 6.



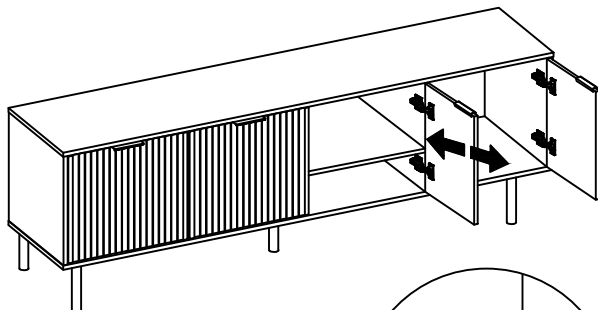
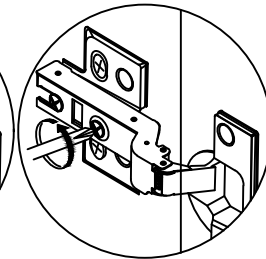
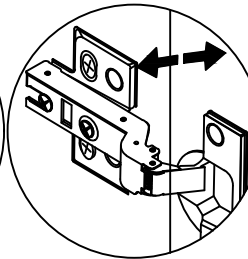
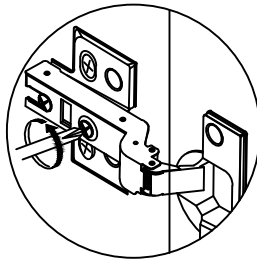
STEP 18



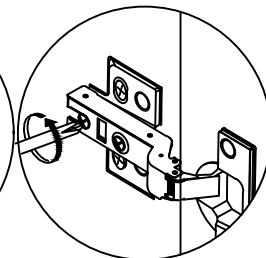
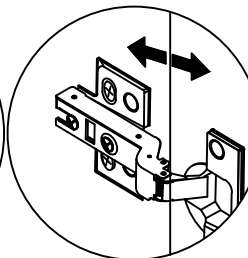
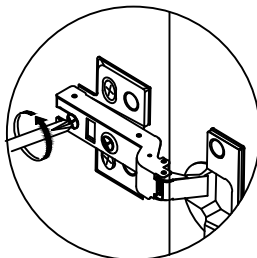
Cabinet door up and down fine adjustment



Cabinet door left and right fine adjustment



Fine-tune the gap after the cabinet door is closed



STEP 19

