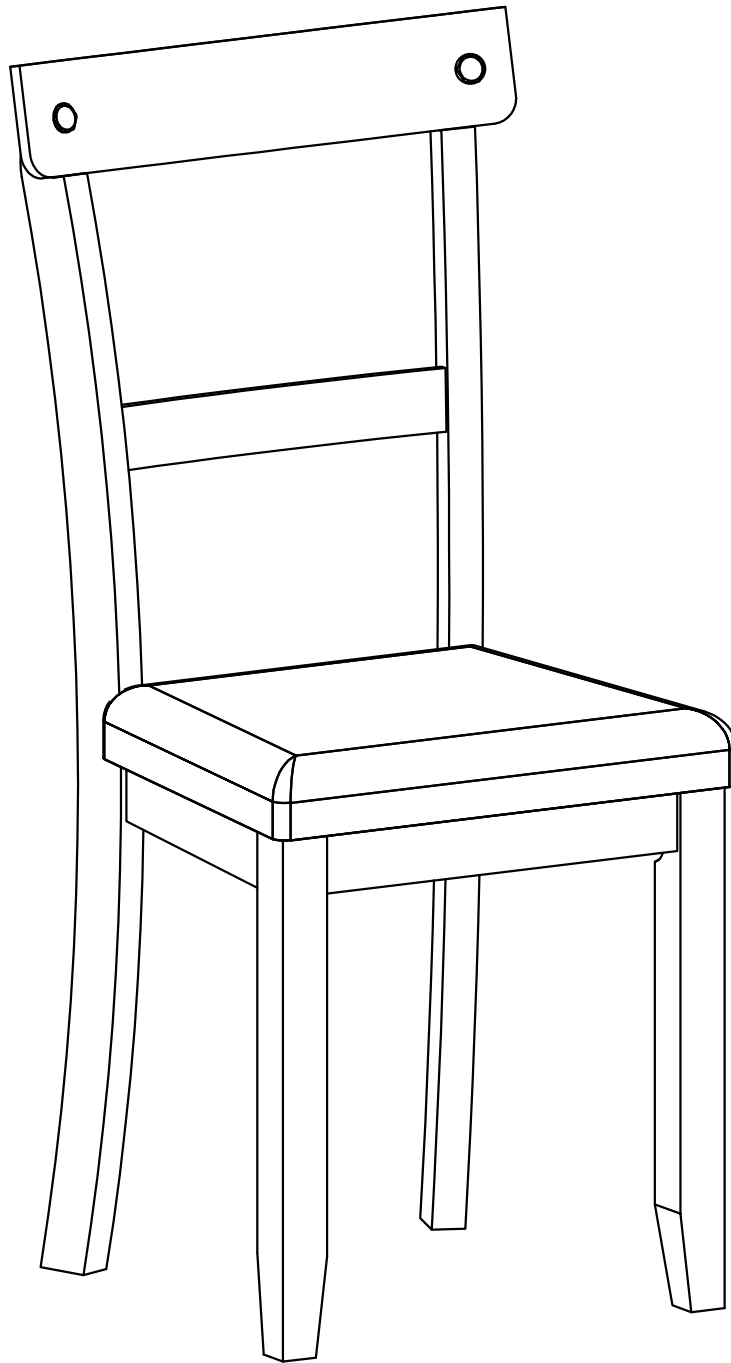
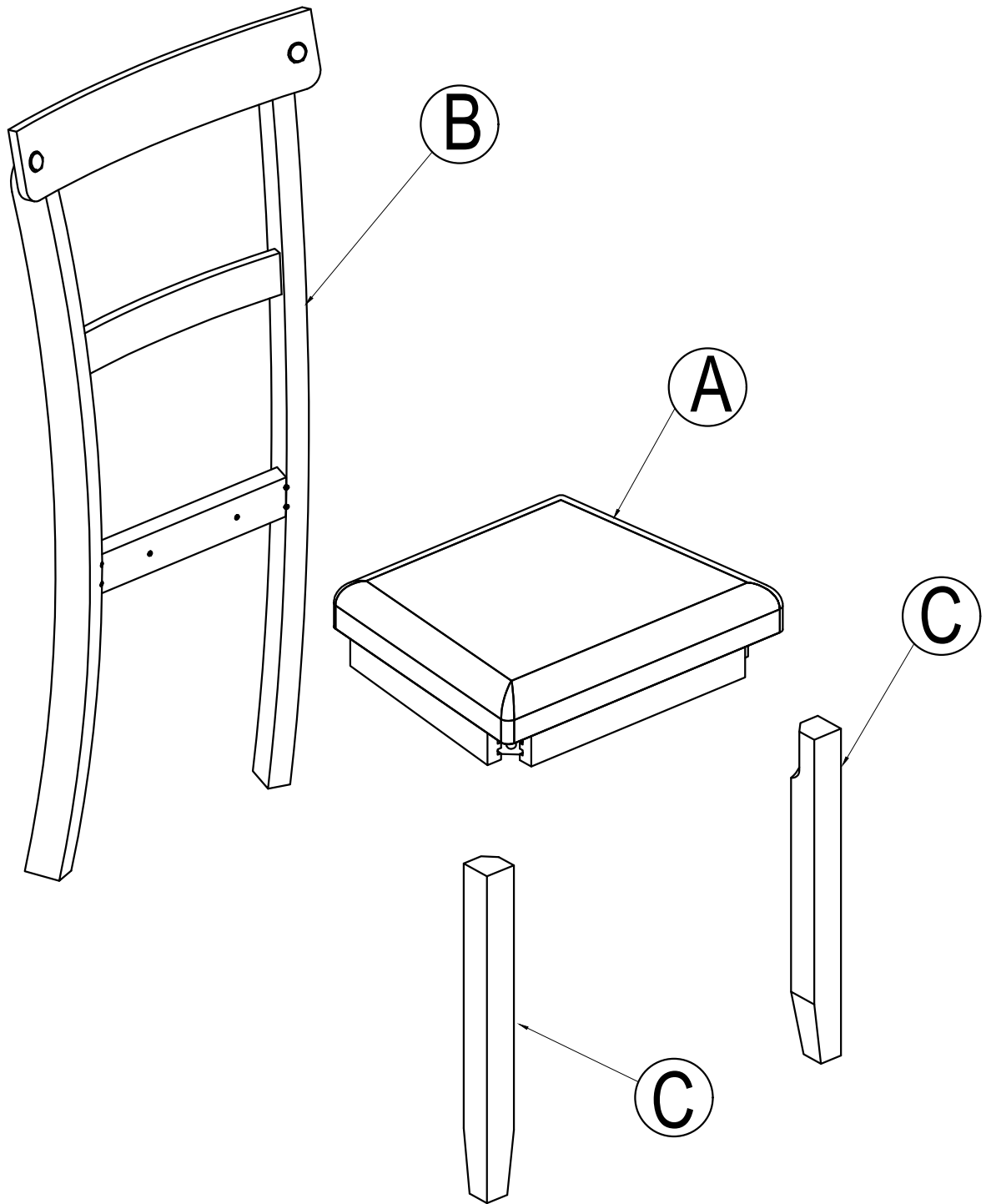


ASSEMBLY INSTRUCTIONS



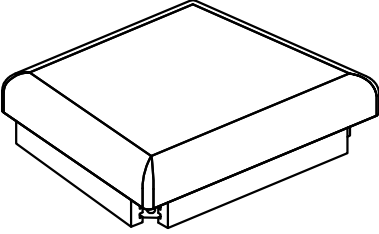
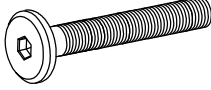
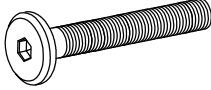
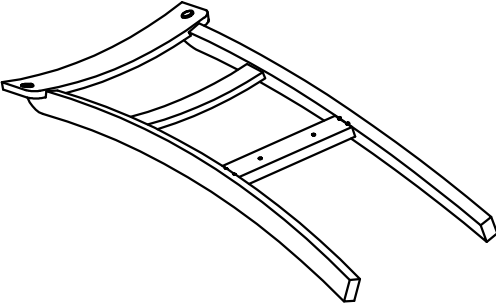
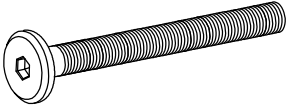

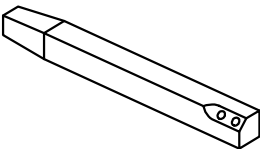
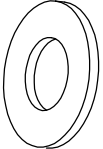

IMPORTANT NOTE :

- ① PLACE ALL PARTS ON A CLEAN AND SMOOTH SURFACE SUCH AS A RUG OR CARPET TO AVOID THE PARTS FROM BEING SCRATCHED.
- ② BEFORE YOU BEGIN, KINDLY FOLLOW THE ASSEMBLY INSTRUCTIONS STEP BY STEP.
- ③ DO NOT TIGHTEN ALL SCREWS AND BOLTS UNTIL THE CHAIR IS FULLY SET-UP.

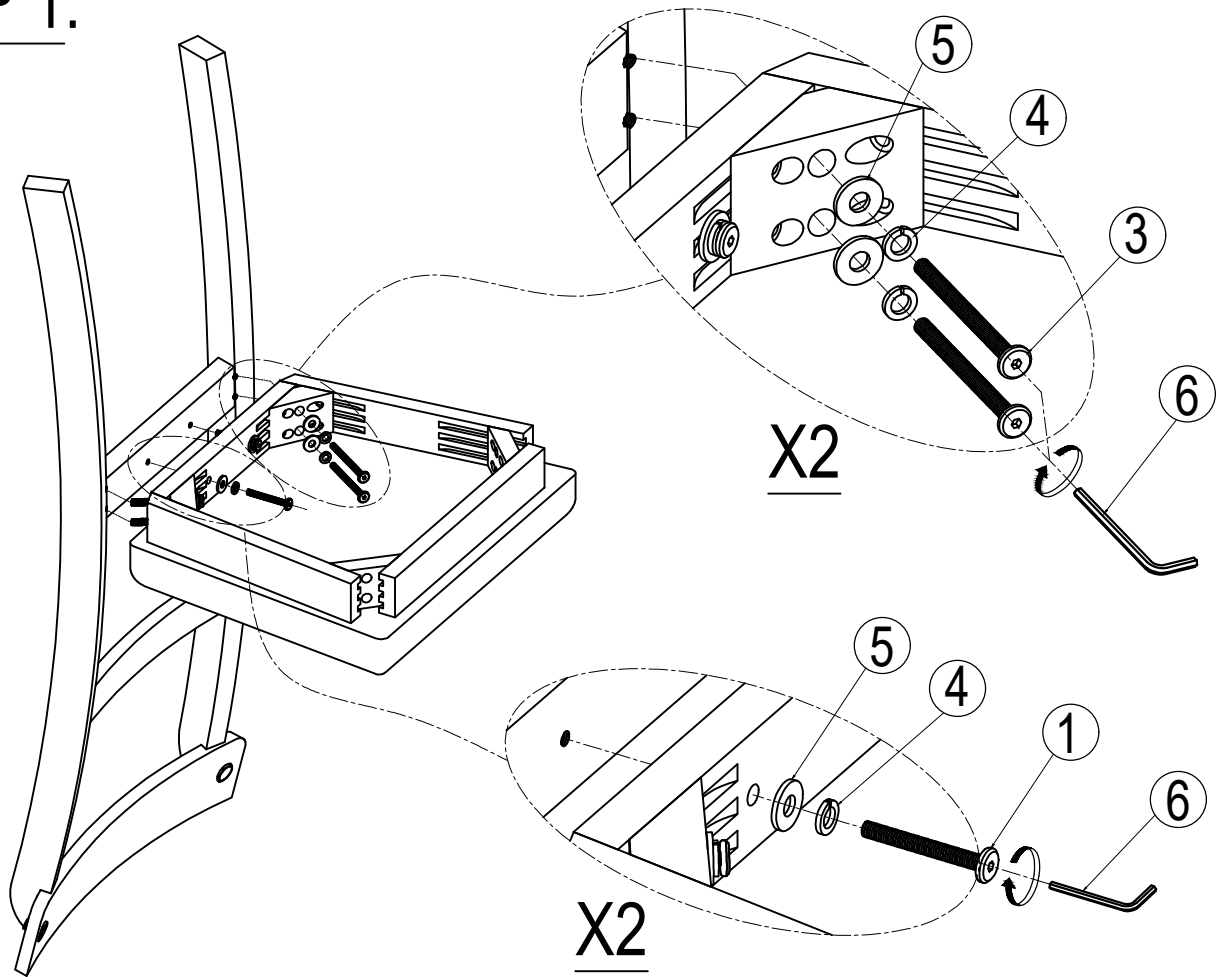


Part List

Hardware List

<p>(A)</p>  <p>CUSHION SEAT (4PCS)</p>	<p>(1)</p>  <p>Ø 1/4" x 40mm</p>
	<p>BOLT (8pcs)</p>
	<p>(2)</p>  <p>Ø 1/4" x 55mm</p>
	<p>BOLT (16pcs)</p>
<p>(B)</p>  <p>CHAIR BACK (4PCS)</p>	<p>(3)</p>  <p>Ø 1/4" x 75mm</p>
	<p>BOLT (16pcs)</p>
	<p>(4)</p>  <p>Ø5/16" x 13mm</p>
	<p>FLAT WASHER (40pcs)</p>
<p>(C)</p>  <p>FRONT LEGS (8PCS)</p>	<p>(5)</p>  <p>Ø5/16" x 19mm</p>
	<p>LOCK WASHER (40pcs)</p>
	<p>(6)</p>  <p>4mm</p>
	<p>ALLEN KEY (1pc)</p>

STEP 1:



STEP 2:

