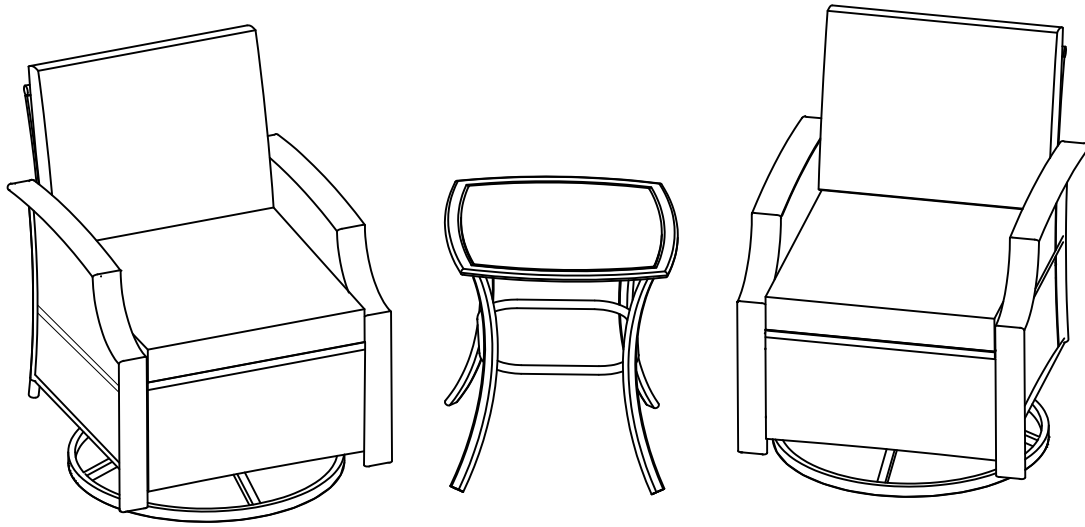


OUTDOOR SWIVEL CAHIR ASSEMBLY INSTRUCTION

GGOT4011-A



ATTENTION

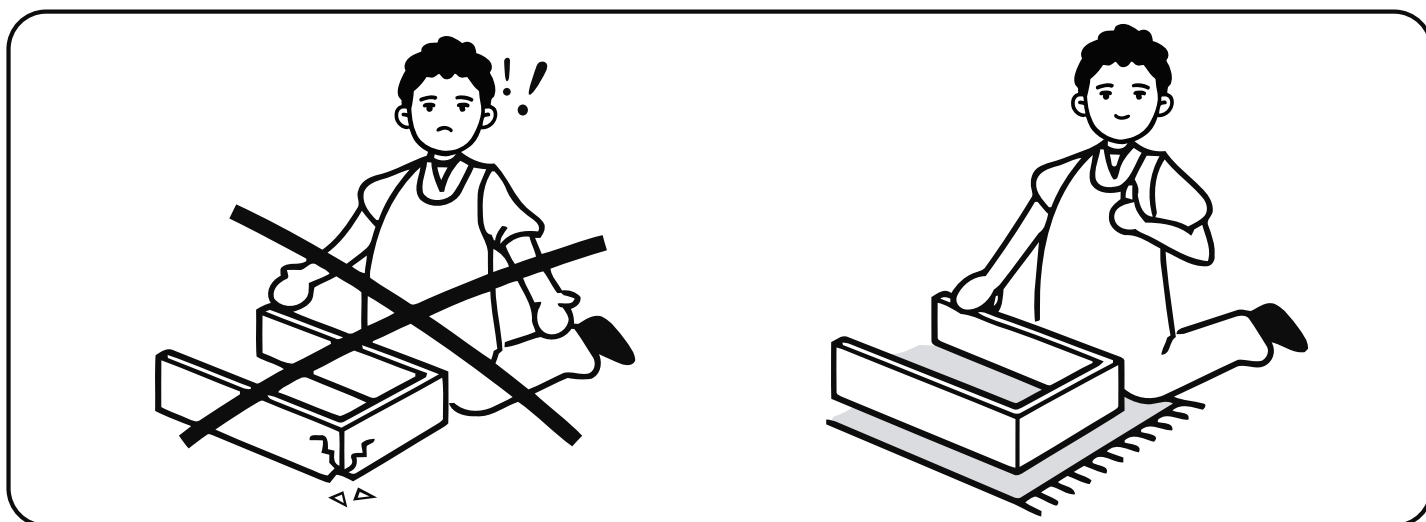
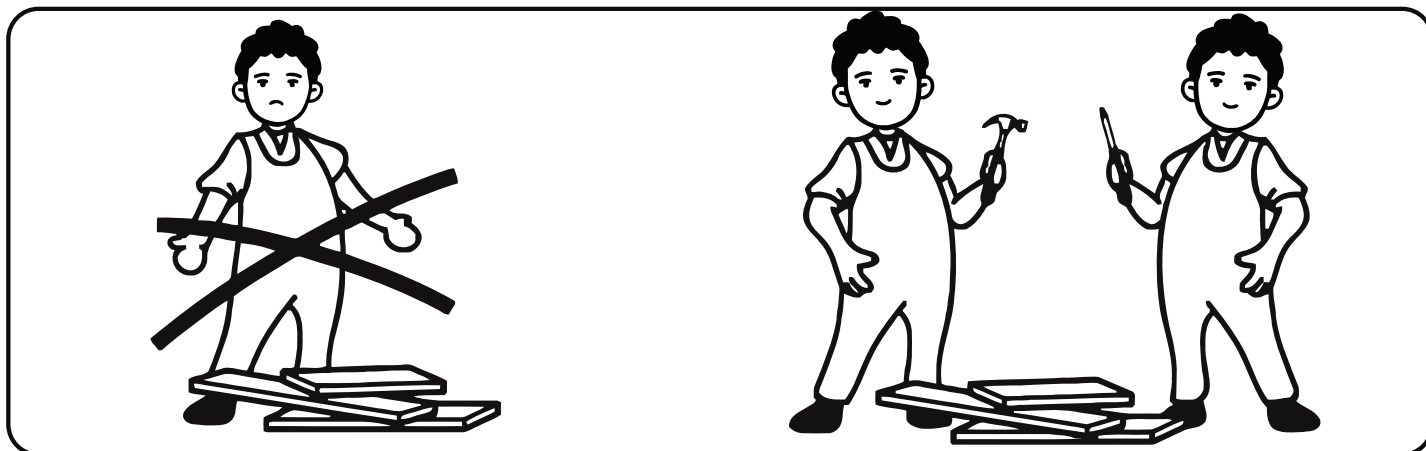
Thanks for choosing our product.

- 1. Please check the part list carefully to make sure you've received all the parts.**
- 2. If there are any missing parts, please contact us with the number and quantity. We will send them to you ASAP.**
- 3. If there are any damaged parts, please contact us with clear pictures or video. We'll offer you the best solution after confirming it.**

NOTE

- 1. If one or some screws are fully tightened during assembly, the others screws may not be aligned with screw holes. 50% tighten before fastening all screws. Allen wrench is recommended instead of an electric drill.**
- 2. If some screws are not aligned with holes during assembly, please loosen all the other screws to 50% and continue the assembly process.**
- 3. If the items is not stable, please loosen all the screws, adjust it on a flat ground and tighten all the screws.**
- 4. Please don't put the furniture outside without any sunshades in rainy, snowy days. Waterproof cover is recommended for keeping it last several years.**
- 5. The set is manually woven by hands. The PE rattan weave of each set is different. Each model is unique.**

Let Us Help You



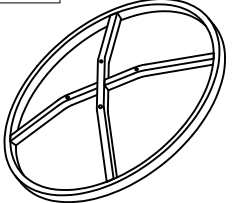
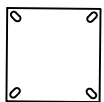
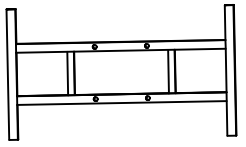
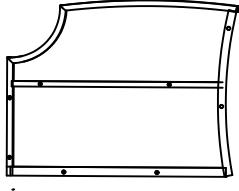
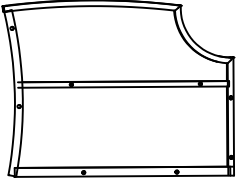
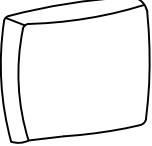
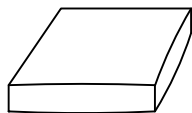
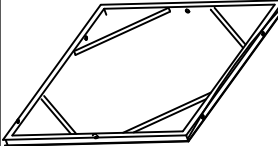

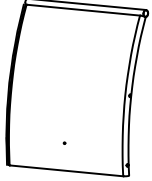
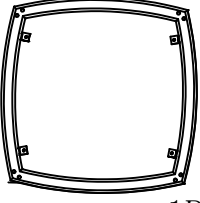
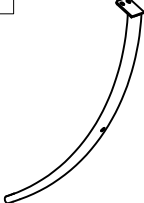
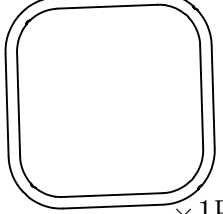
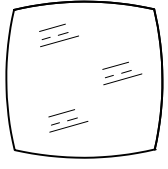
Let Us Help You









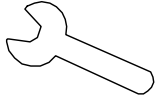
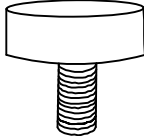


- If you have any further questions, please feel free to contact us via email at info@homrest.com or through our official website. We will respond as soon as possible.
- Before beginning installation, please ensure you have all the necessary hardware, the serial numbers are correctly labeled and correspond to the list, and that the quantities are accurate.
- Enjoy your new purchase!

Assembly Instruction

Parts list

J  ×2PCS	K  ×2PCS	L  ×2PCS	M  ×2PCS	N  ×2PCS
Q  ×2PCS	R  ×2PCS	C1  ×2PCS	D1  ×2PCS	E1  ×2PCS
V  ×1PC	W  ×4PCS	X  ×1PC	Y  ×1PC	

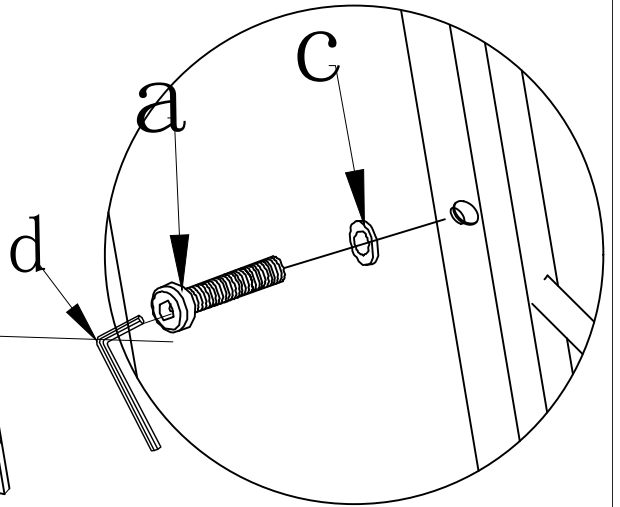
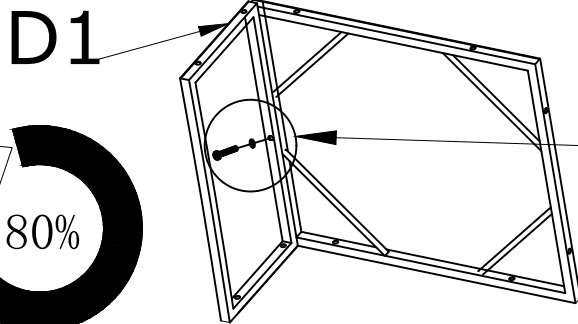
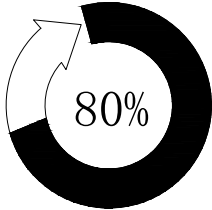
a ×28PCS  M6x35mm	b ×8PCS  M6x40mm	c ×80PCS  M6x14	d ×1PC  M6	e ×16PCS  	f ×20PCS  M6x30mm
g ×4PCS  	h ×8PCS  M6x15mm	n ×1PC  	y ×12PCS  		

Assembly Instruction

STEP 1

Connect the front plate to seat

- C1 ×1
- D1 ×1
- a ×1
- c ×1
- d ×1

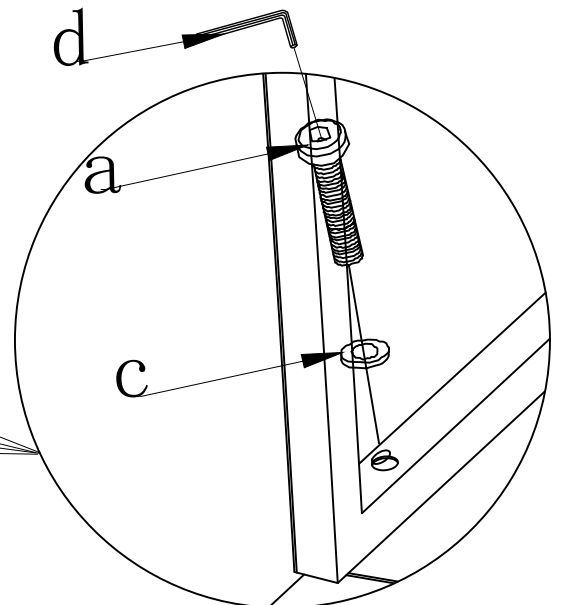
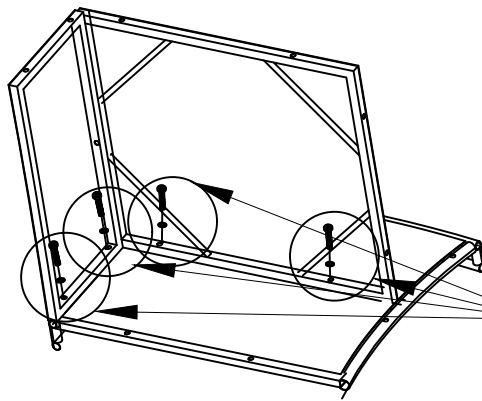
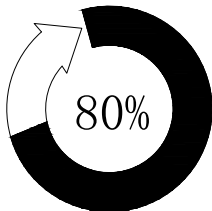


Tighten the screws to 80% tightness

STEP 2

Connect right arm to seat

- M ×1
- a ×4
- c ×4
- d ×1

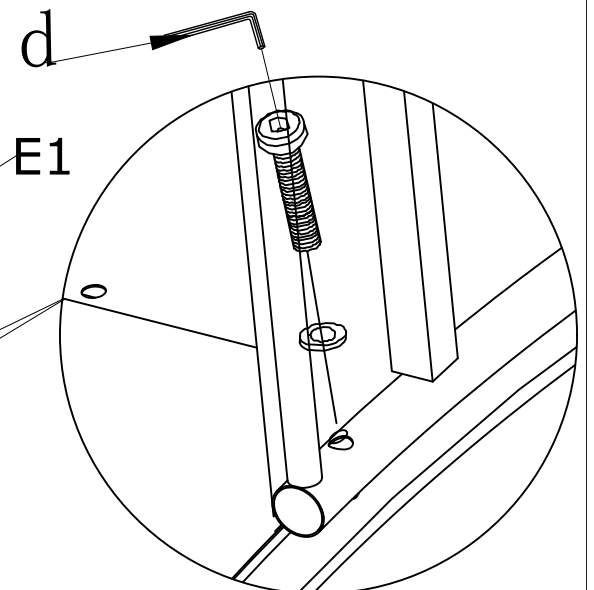
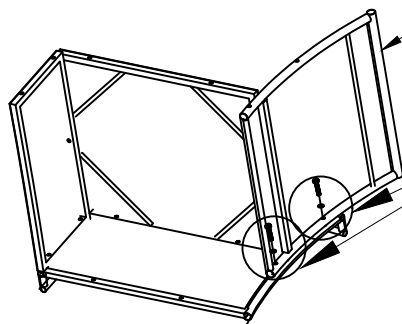
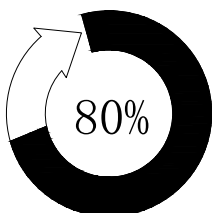


Tighten the screws to 80% tightness

STEP 3

Connect backrest to arm and seat

- E1 ×1
- b ×2
- c ×2
- d ×1



Tighten the screws to 80% tightness

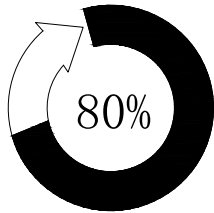
Assembly Instruction

STEP 4

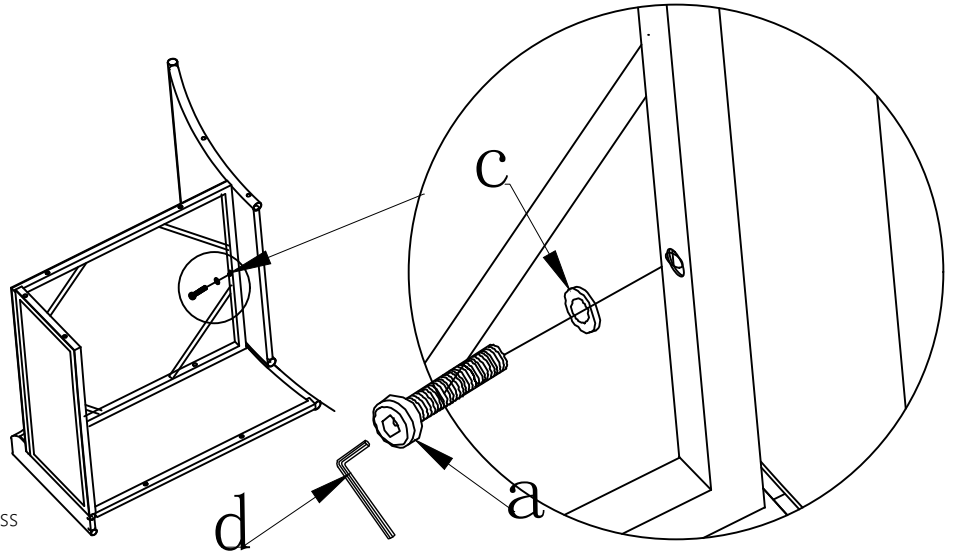
a ×1

c ×1

d ×1



Tighten the screws to 80% tightness



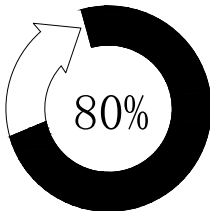
STEP 5

N ×1

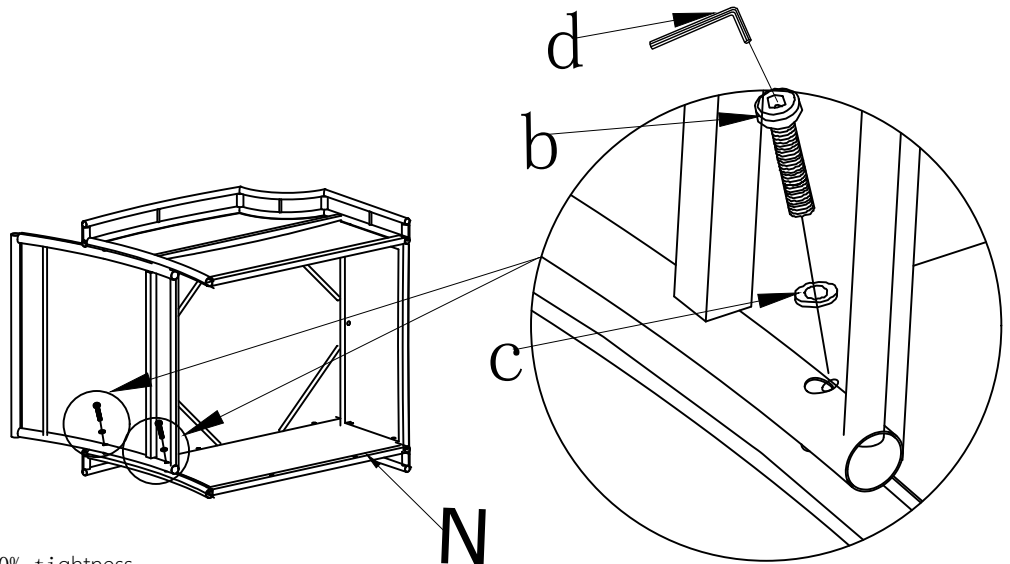
b ×2

c ×2

d ×1



Tighten the screws to 80% tightness

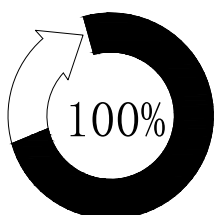


STEP 6

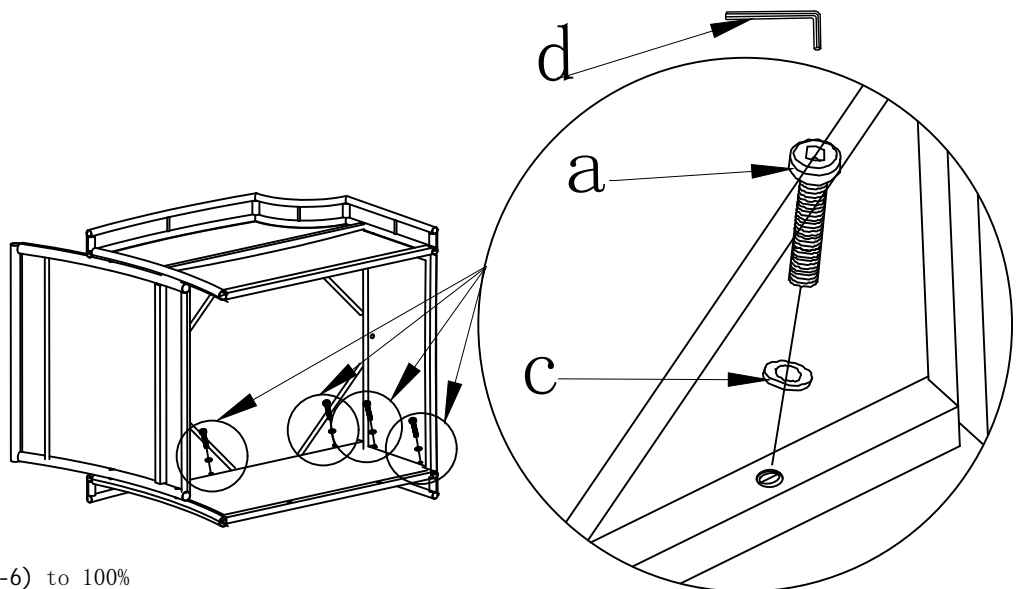
a ×4

c ×4

d ×1



Tighten all screws(Step1-6) to 100%

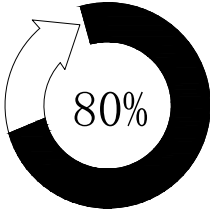


Assembly Instruction

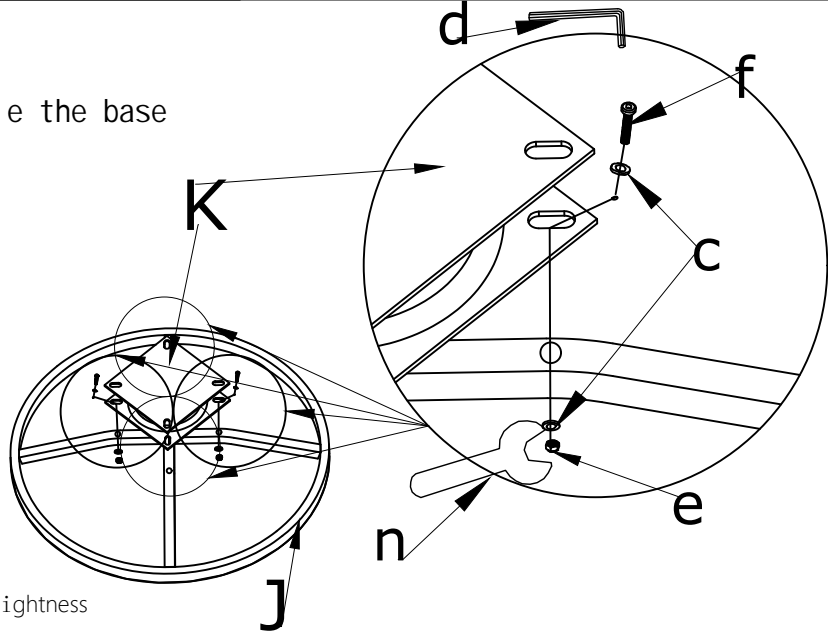
STEP 7

- J ×1
- K ×1
- f ×4
- c ×8
- e ×4
- d ×1
- n ×1

Assemble the base



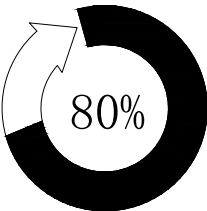
Tighten the screws to 80% tightness



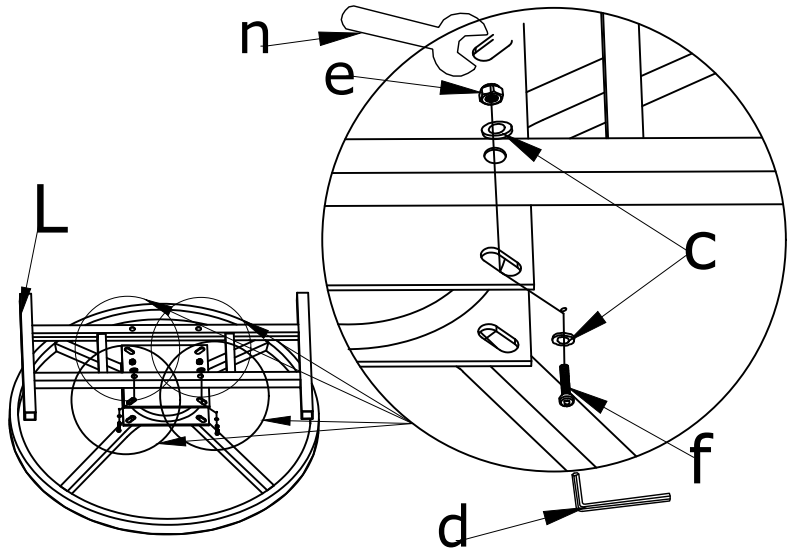
STEP 8

- L ×1
- f ×4
- c ×8
- e ×4
- d ×1
- n ×1

Fix base



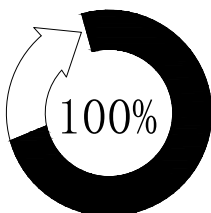
Tighten the screws to 80% tightness



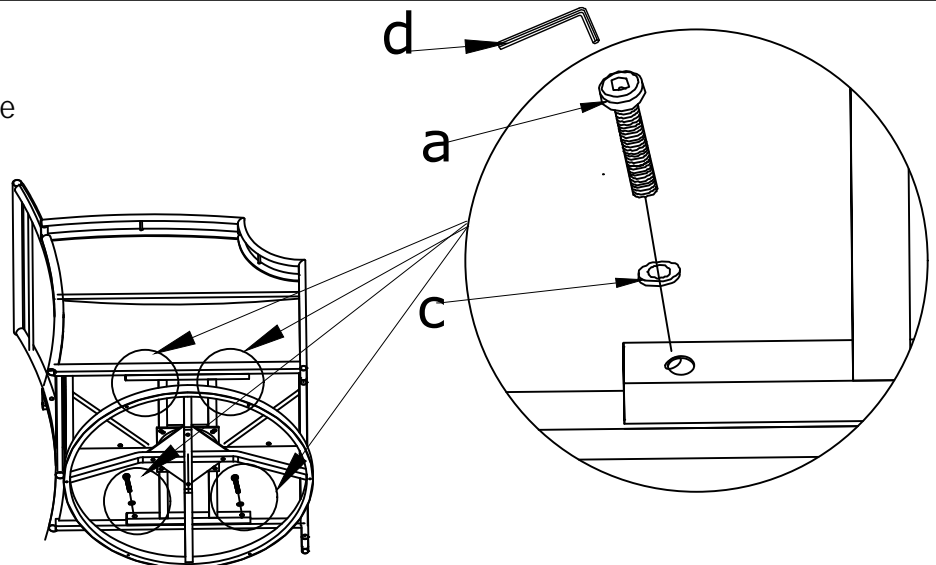
STEP 9

- a ×4
- c ×4
- d ×1

Fix base



Tighten all previous screws used to 100%

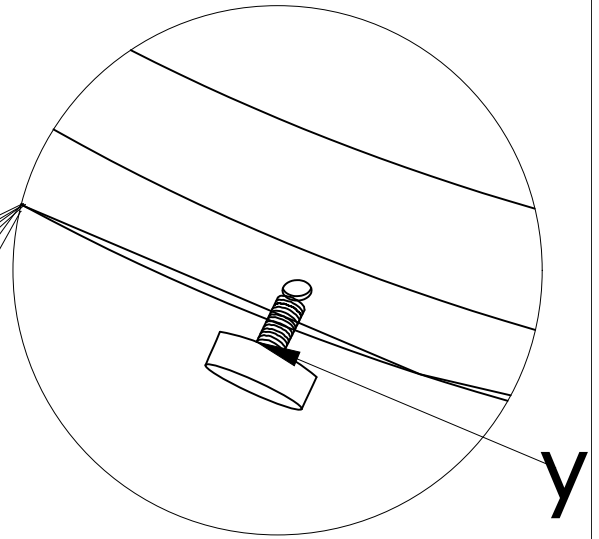
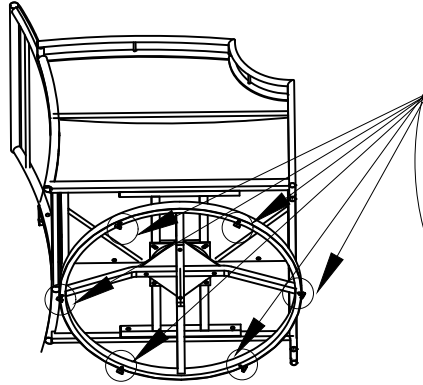
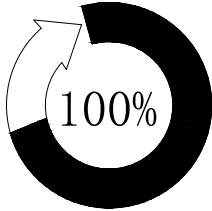


Assembly Instruction

STEP 10

y ×6

Connect chair and base



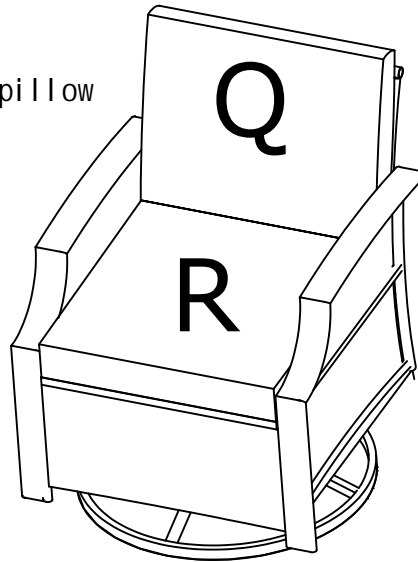
Tighten all previous screws used to 100%

STEP 11

Q ×1

Place cushion and pillow

R ×1



x2

STEP 12

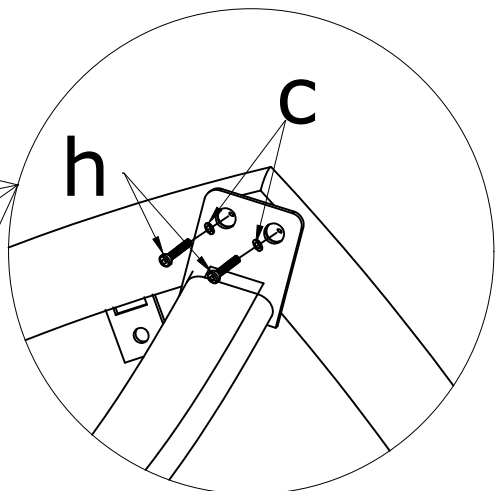
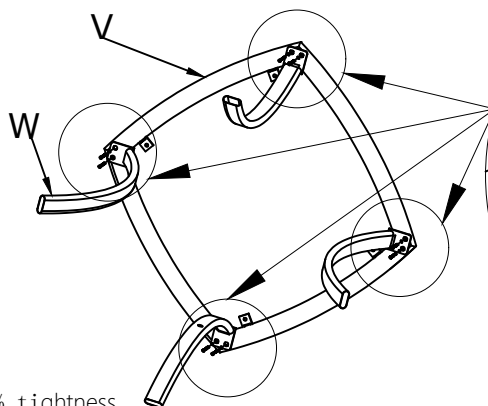
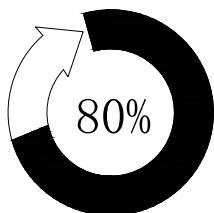
Connect table legs and table top

V ×1

W ×4

h ×8

c ×8



Tighten the screws to 80% tightness

Assembly Instruction

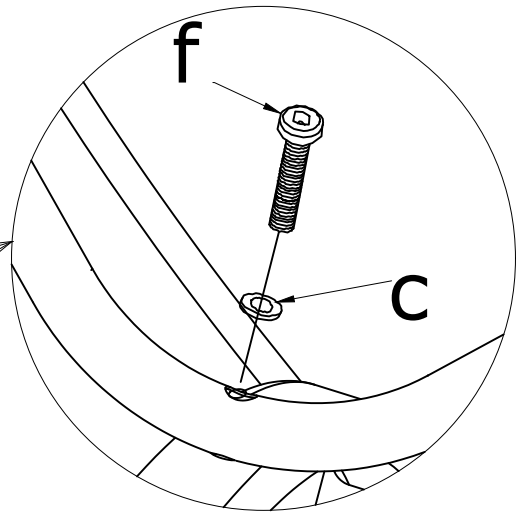
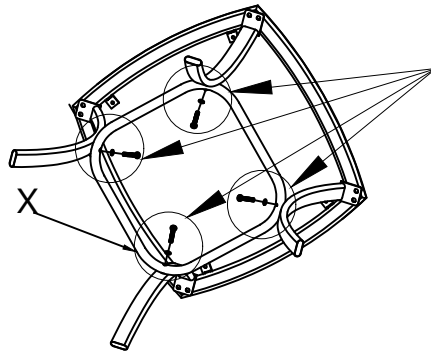
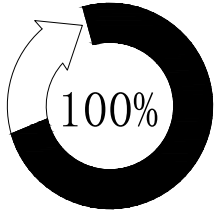
STEP 13

X ×1

Connect table legs and table top

f ×4

c ×4

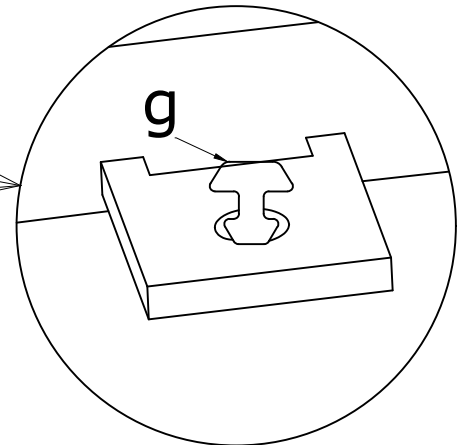
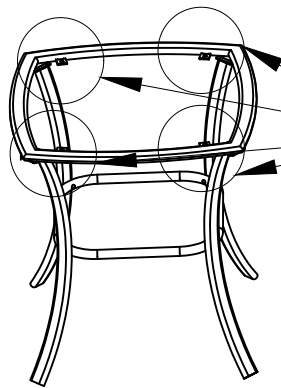


Tighten all previous screws used to 100%

STEP 14

g ×4

put rubber pads



STEP 15

Y ×1

Embed glass tabletop

