

AFTERSALE SERVICE

Dear customer,

Thank you so much for purchasing the product from us, we really appreciate your support.

We are aimed to provide the best shopping experience to our customers. We also want to build a mutually beneficial relationship with our customers, and step further to make our brand both reliable, responsible and recommendable.

We hope that our products could meet your needs and expectations, please consider us again if you need more products for your home and kitchen.

The package would be out of our control during shipping, please contact us through your purchasing channel directly if there is anything wrong with the box or contents. We are always here offering you our service.

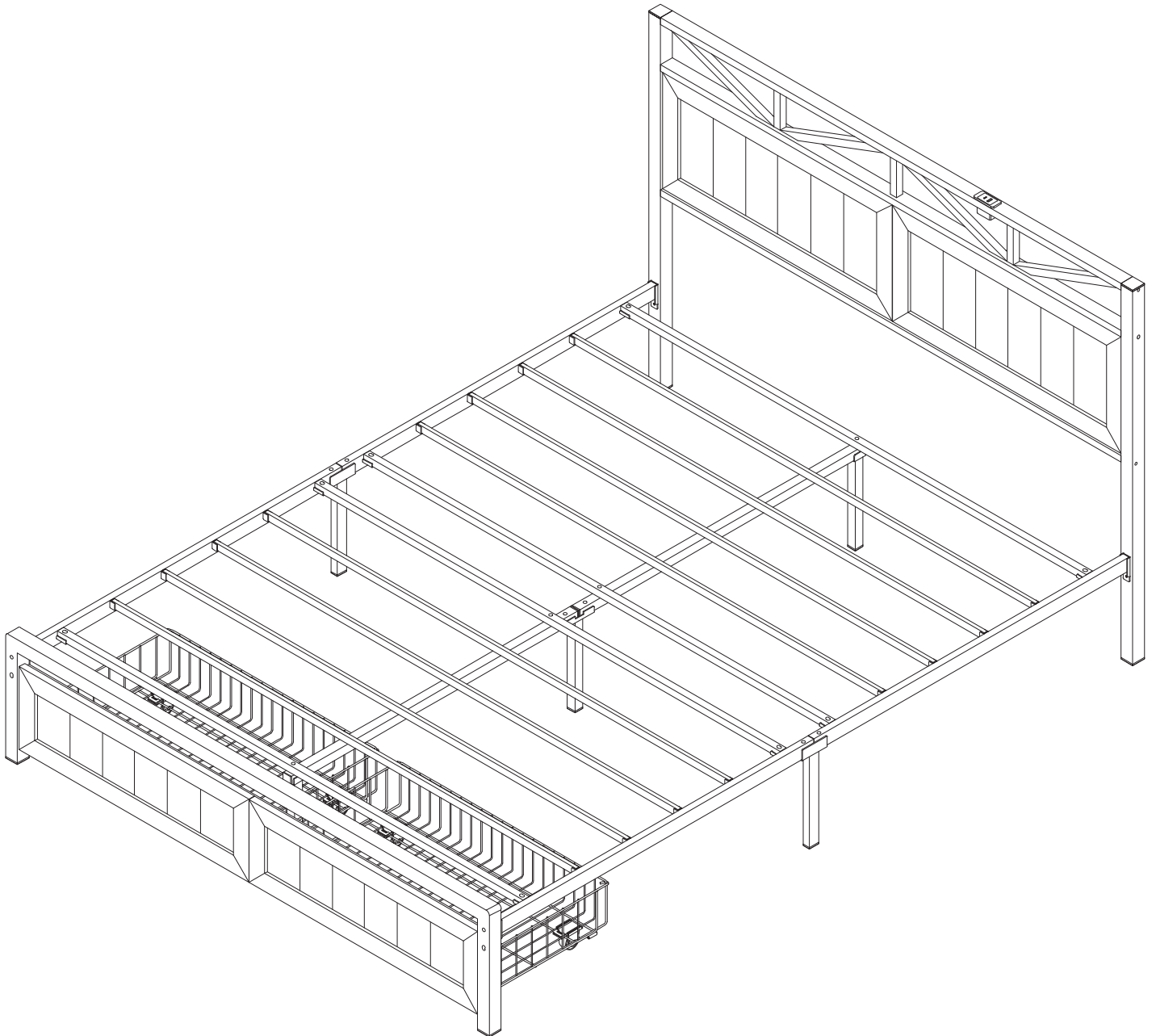
We will reply your messages within 24 hours, please kindly wait for the response from our professional service team.

Your comfort and contentment are of utmost importance.

Best Regards,

Customer Care Specialist

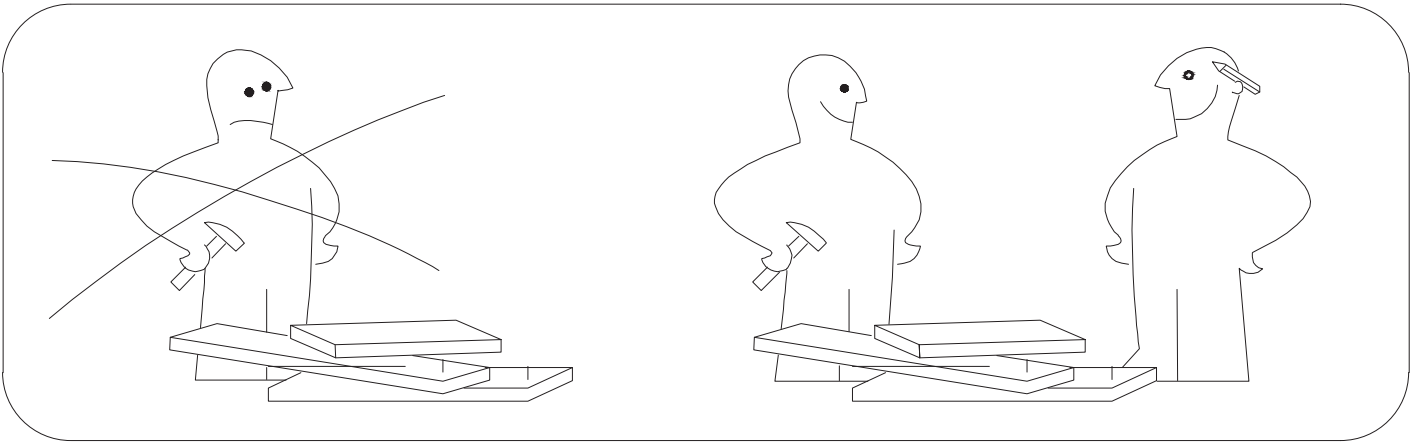
ASSEMBLY INSTRUCTION



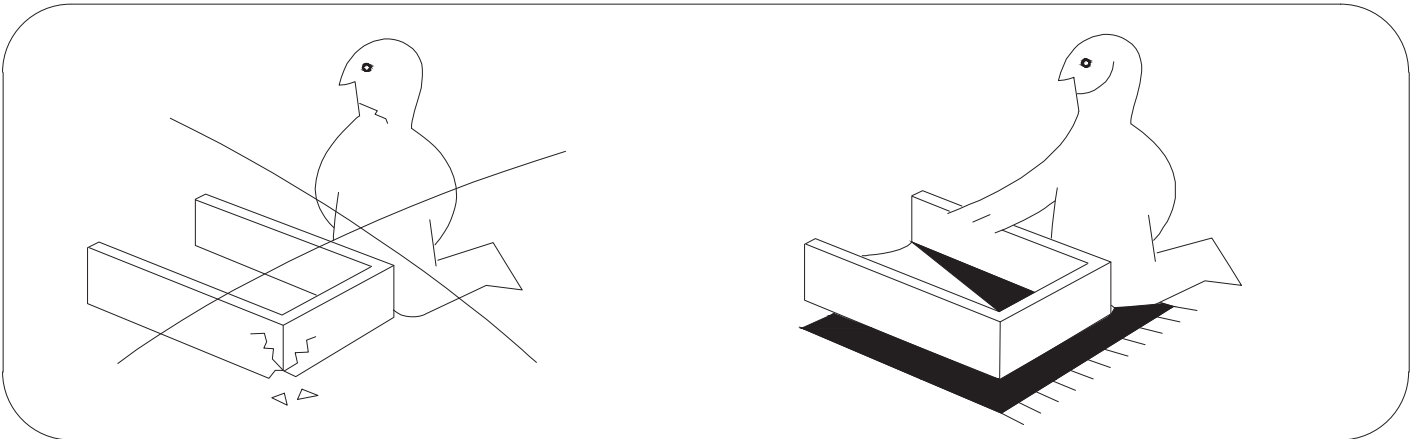


WARNING

Need Two Or More People To Complete

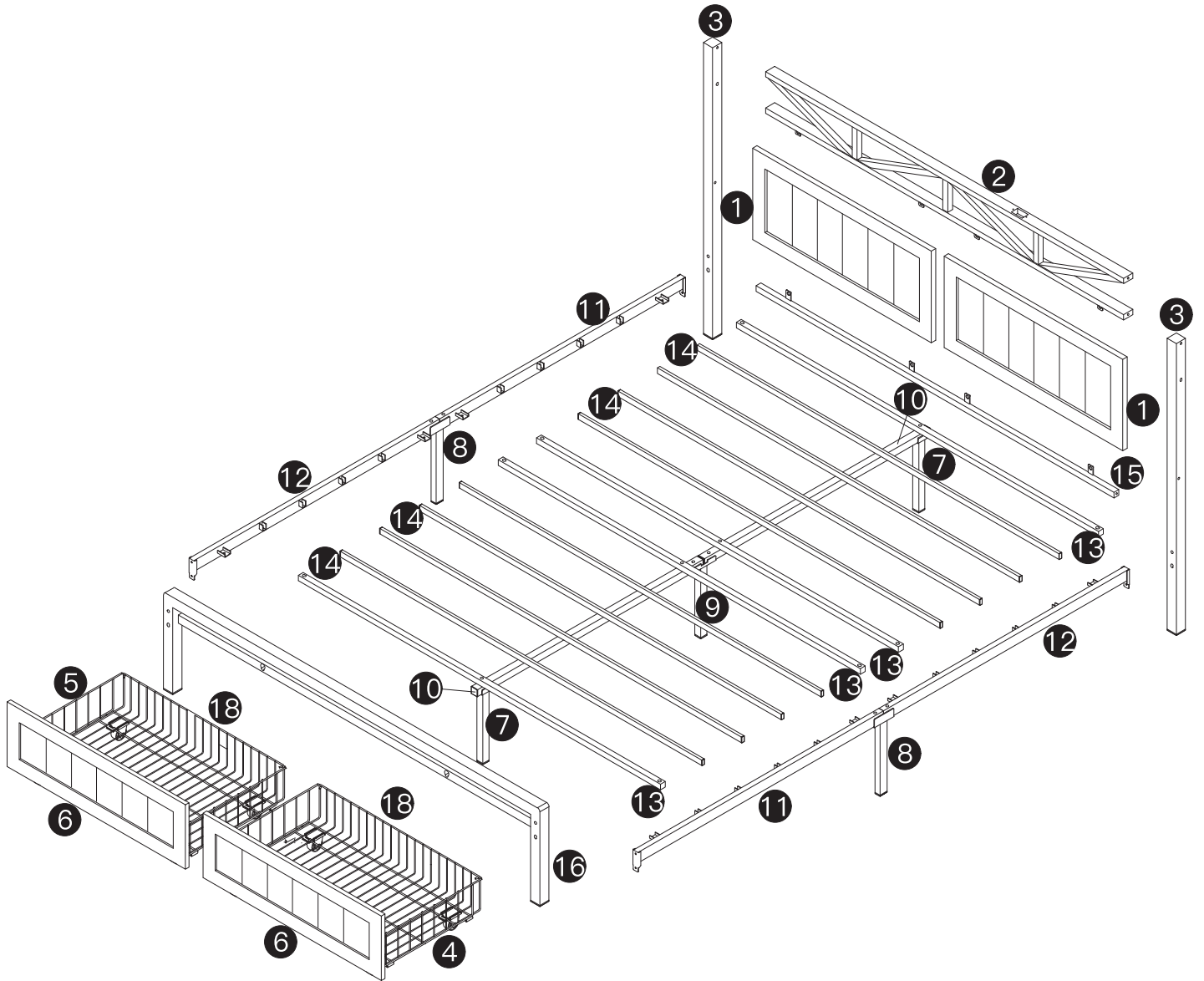


Assemble Item On a Clean Flat Surface



- Please check you have all hardware before assembling.
- Please ensure you have the name of the item and hardware part required and quantity.
- If you have any questions, please contact us by original purchase platform. we will reply you ASAP.

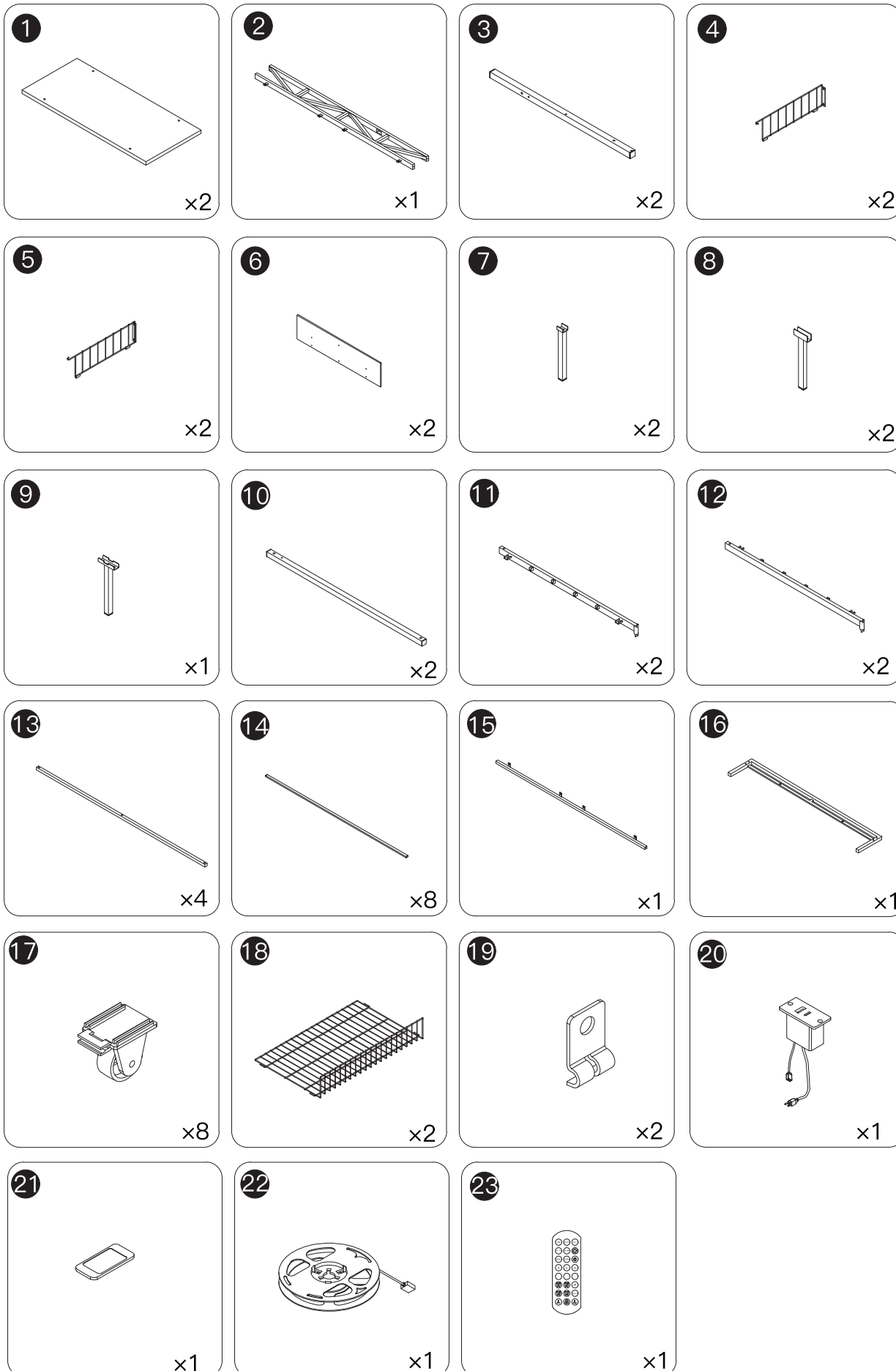
EXPLODED DRAWING:

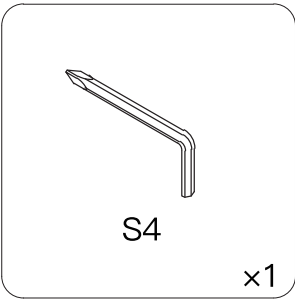
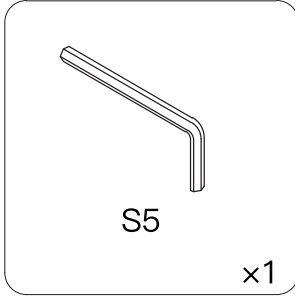
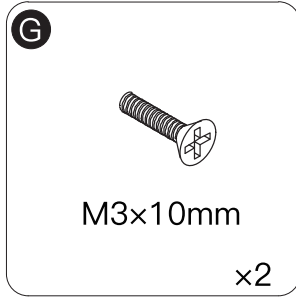
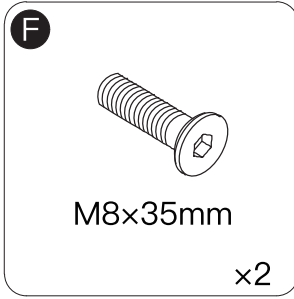
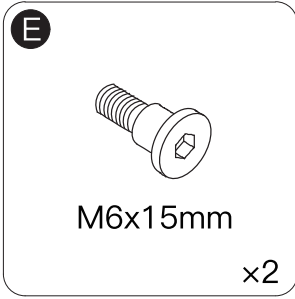
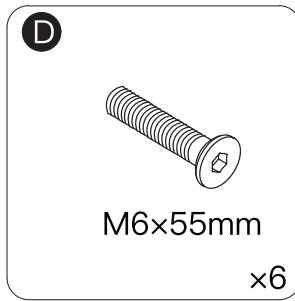
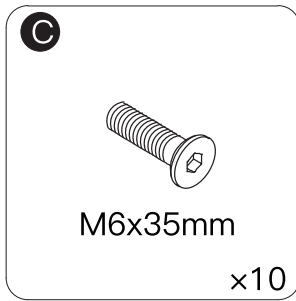
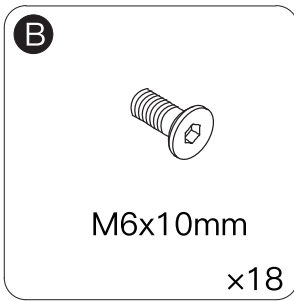
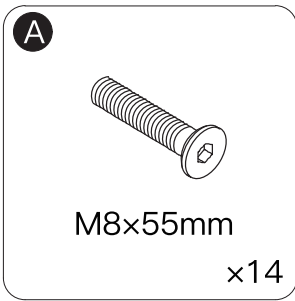


Please check all parts and accessories according to the parts list before assembling, make sure all contents are sufficient and in good condition.

If there is any parts missing or defective, please contact us immediately with purchase platform message to get replacement parts.

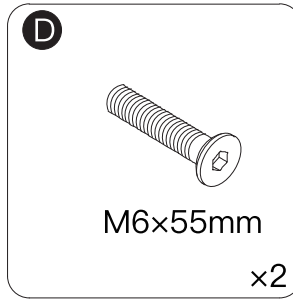
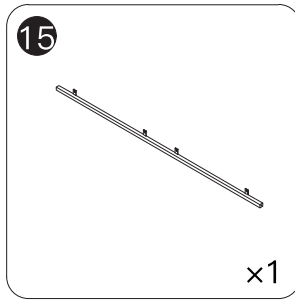
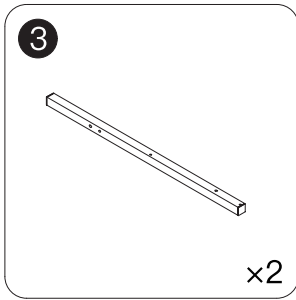
PARTS:





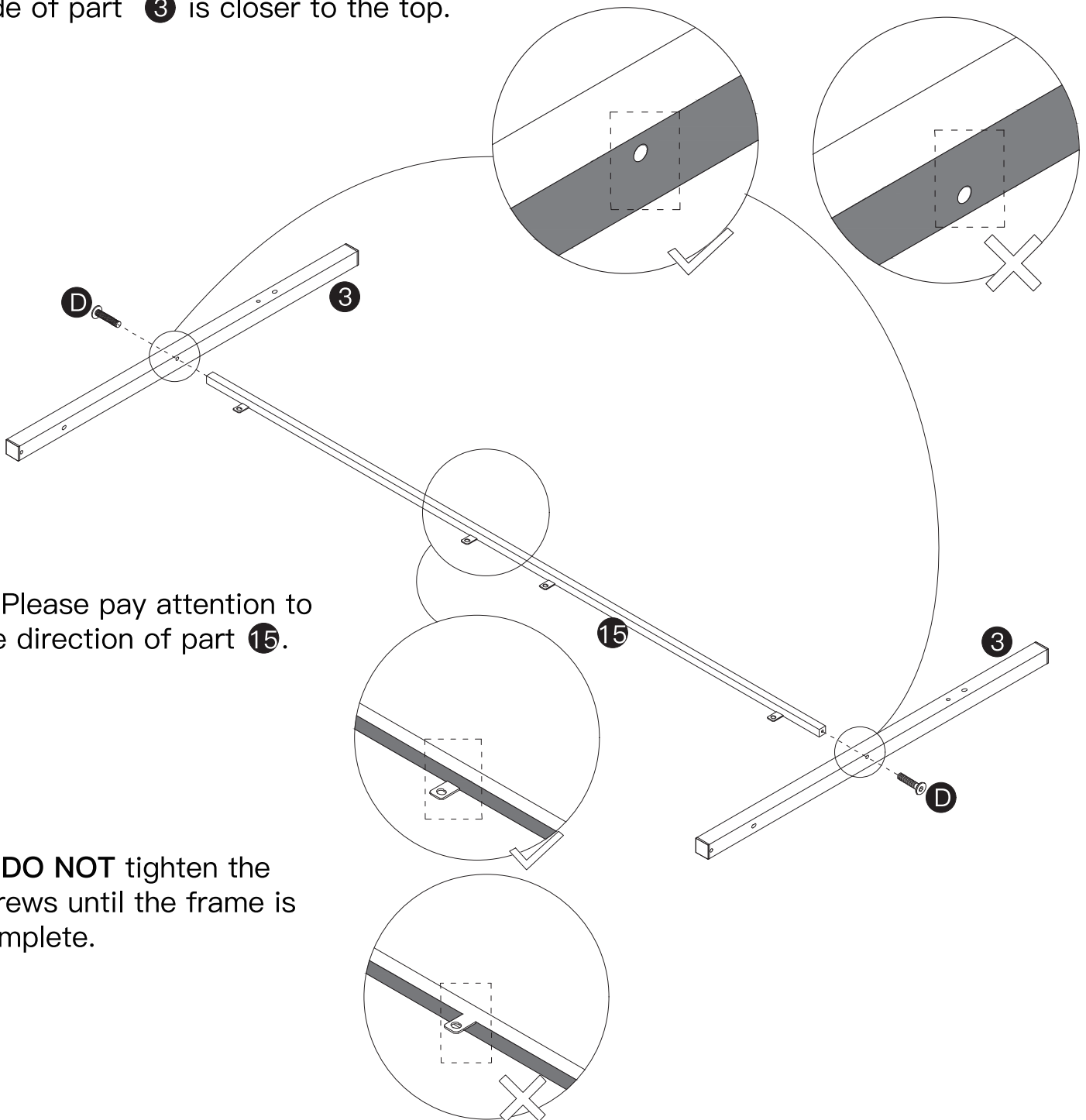
HOW TO INSTALL

STEP 1



NOTICE:

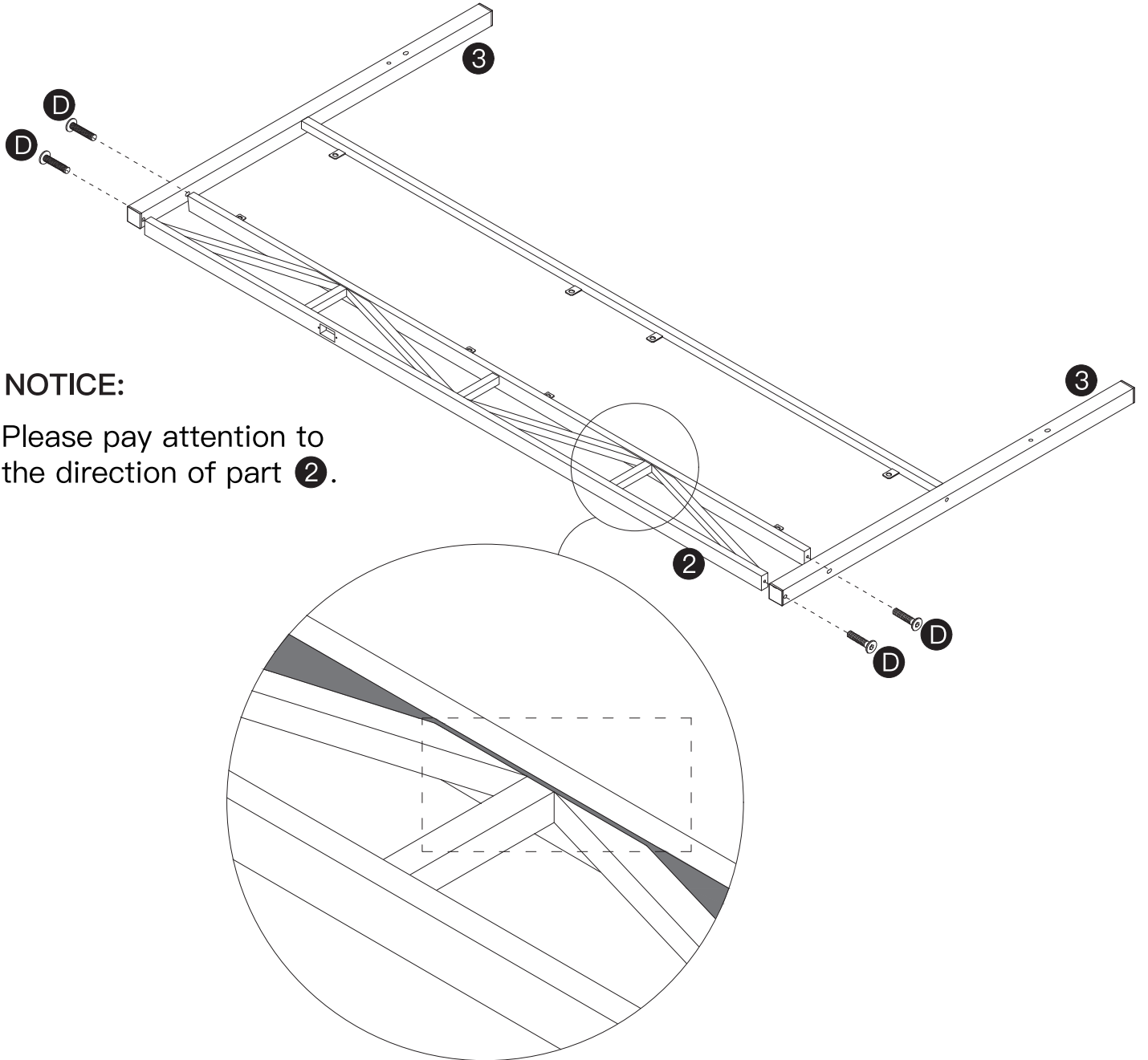
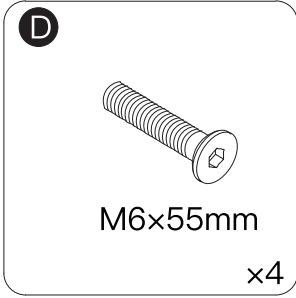
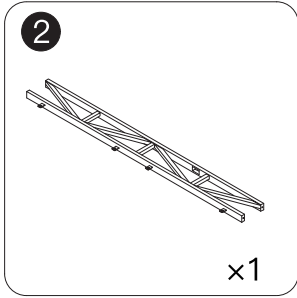
(1) Please ensure that holes on the side of part 3 is closer to the top.



(2) Please pay attention to the direction of part 15.

(3) **DO NOT** tighten the screws until the frame is complete.

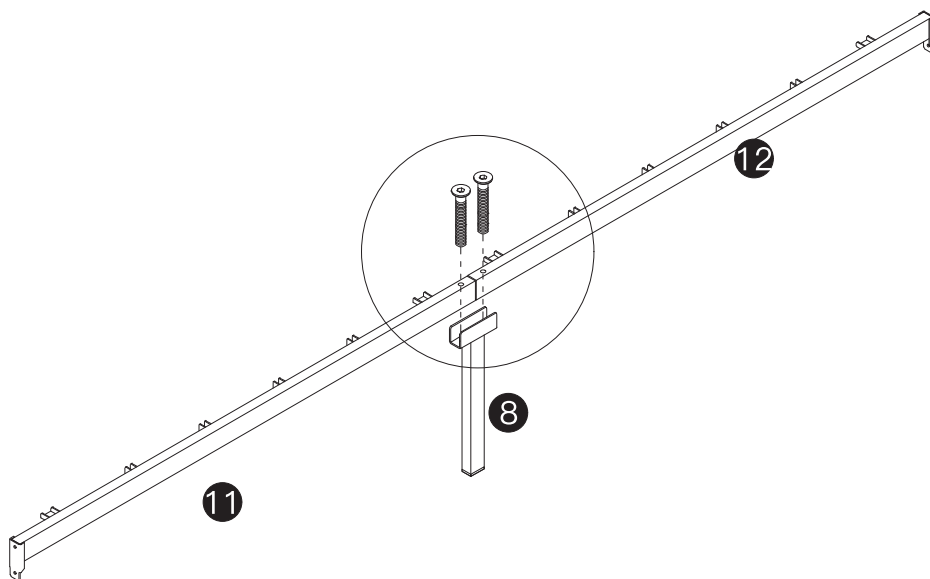
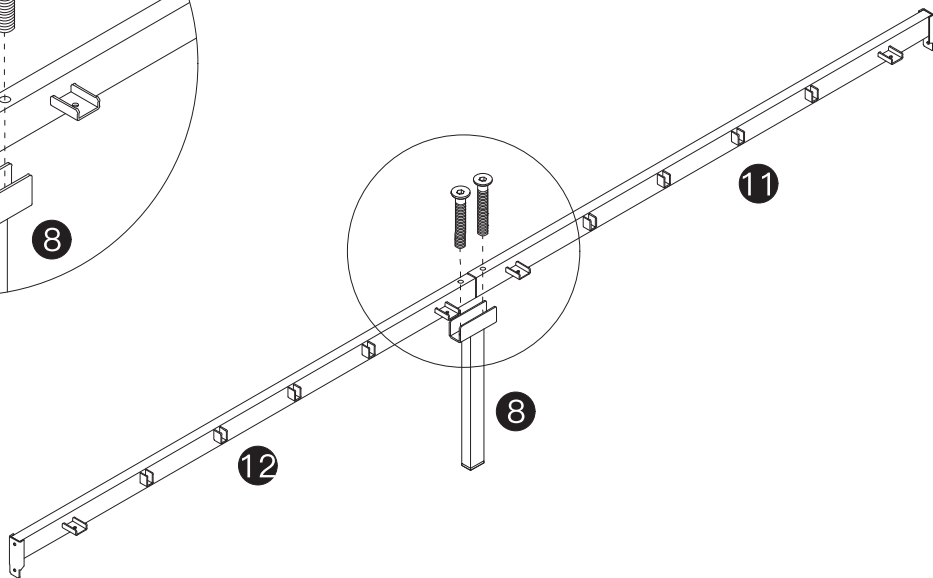
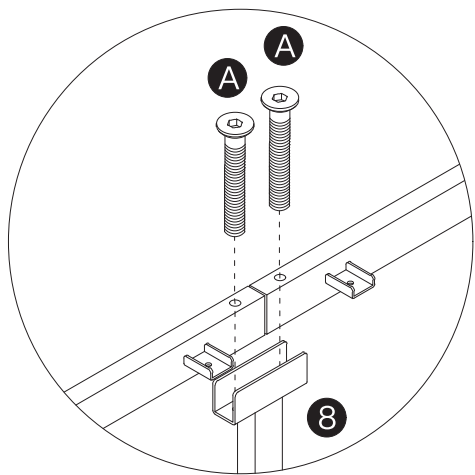
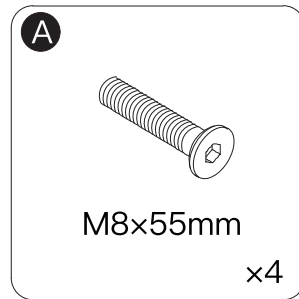
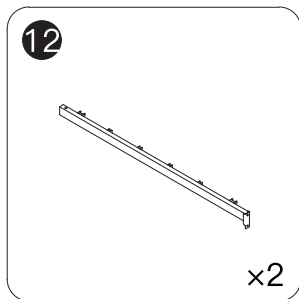
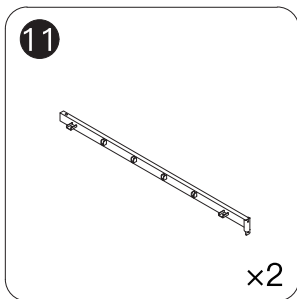
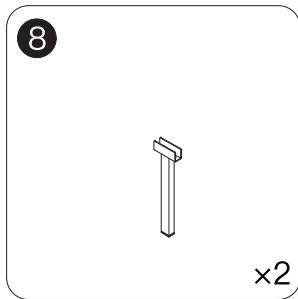
STEP 2



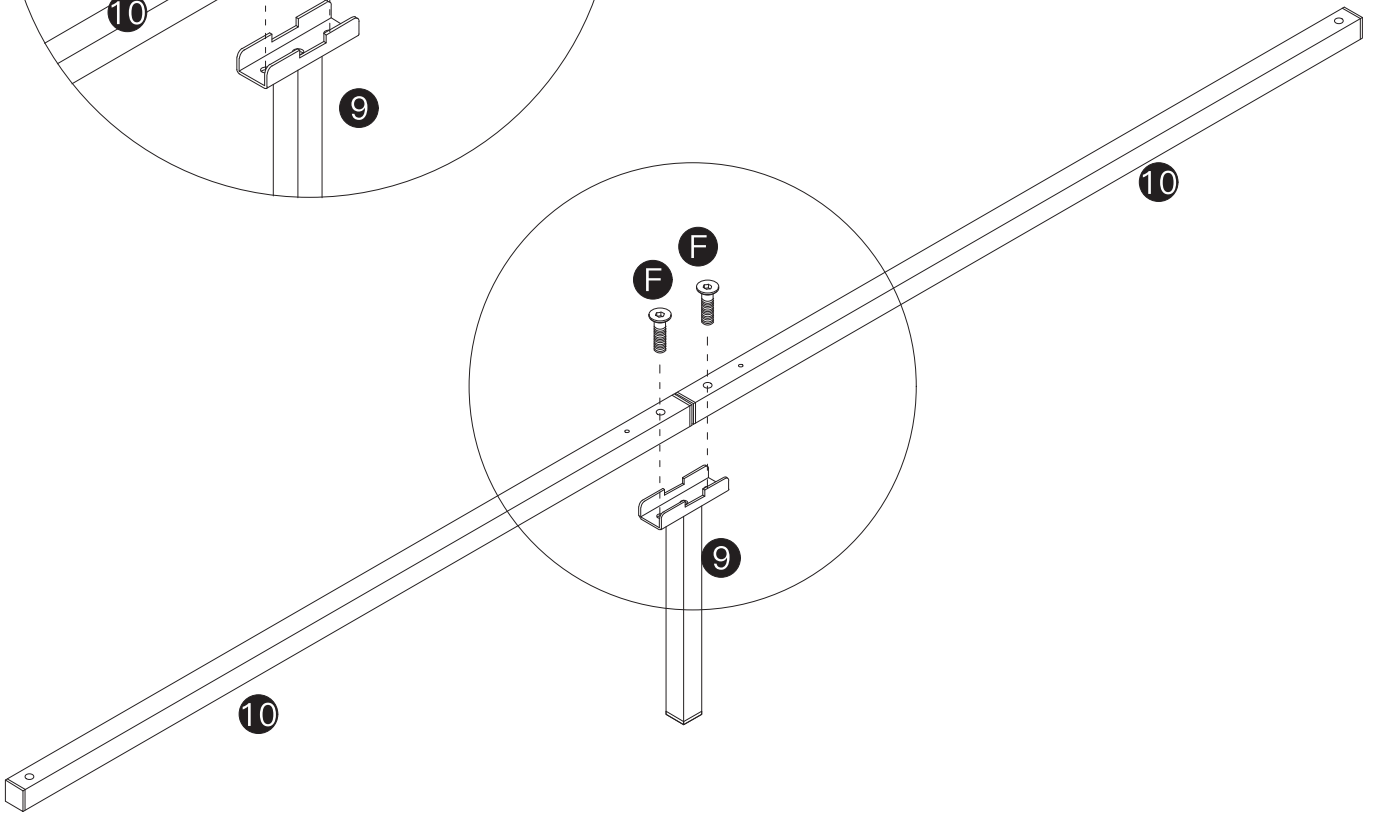
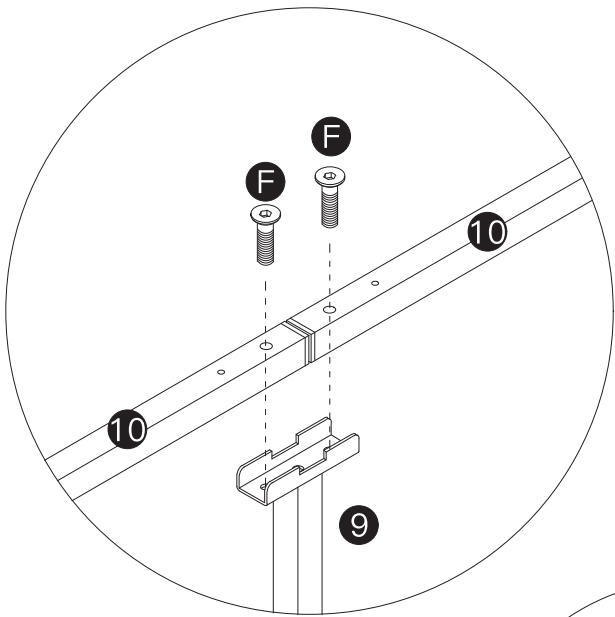
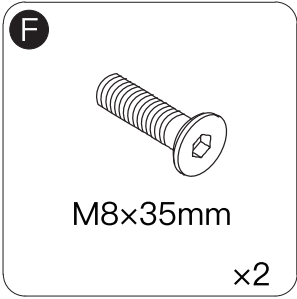
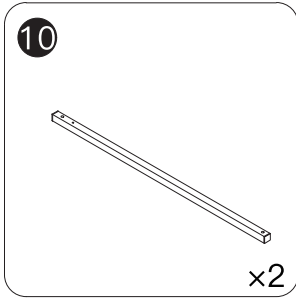
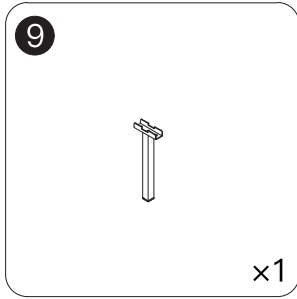
NOTICE:

Please pay attention to the direction of part 2.

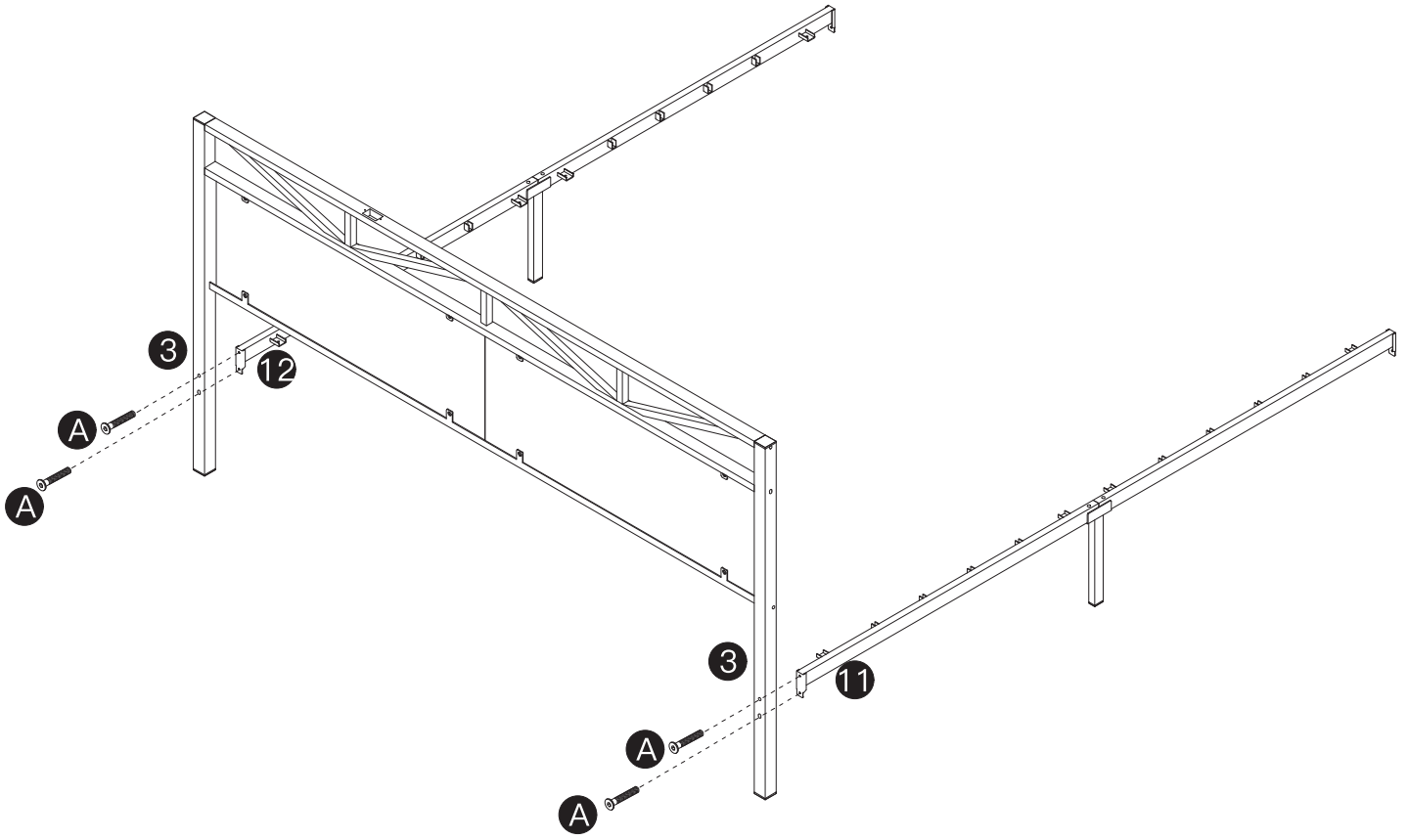
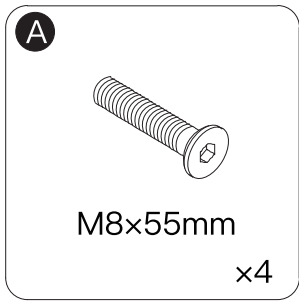
STEP 4



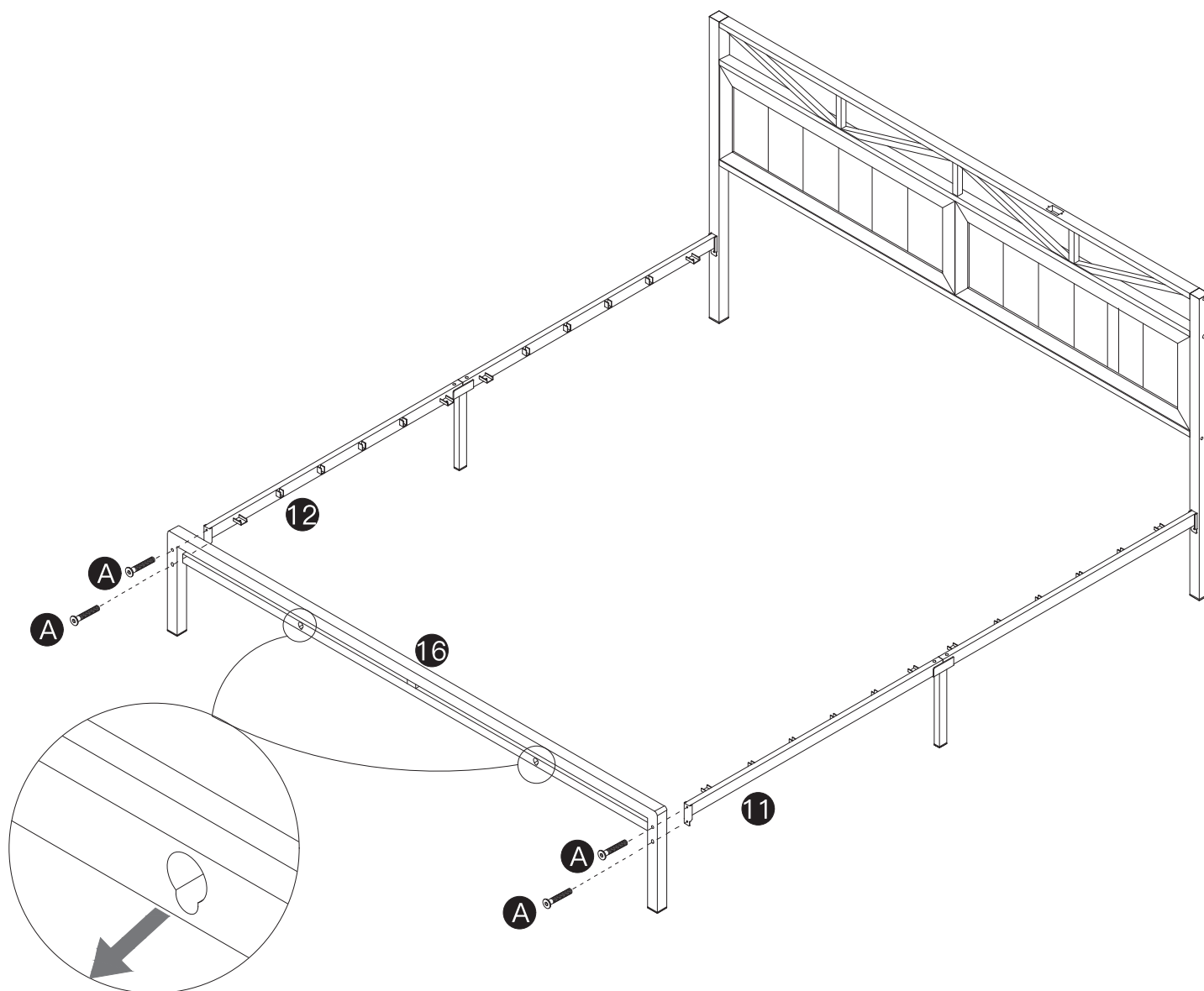
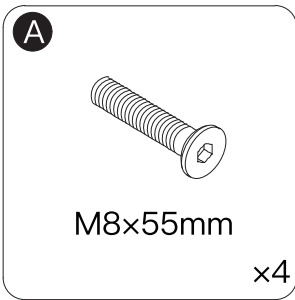
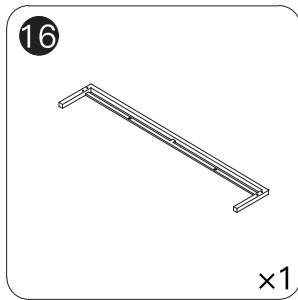
STEP 5



STEP 6

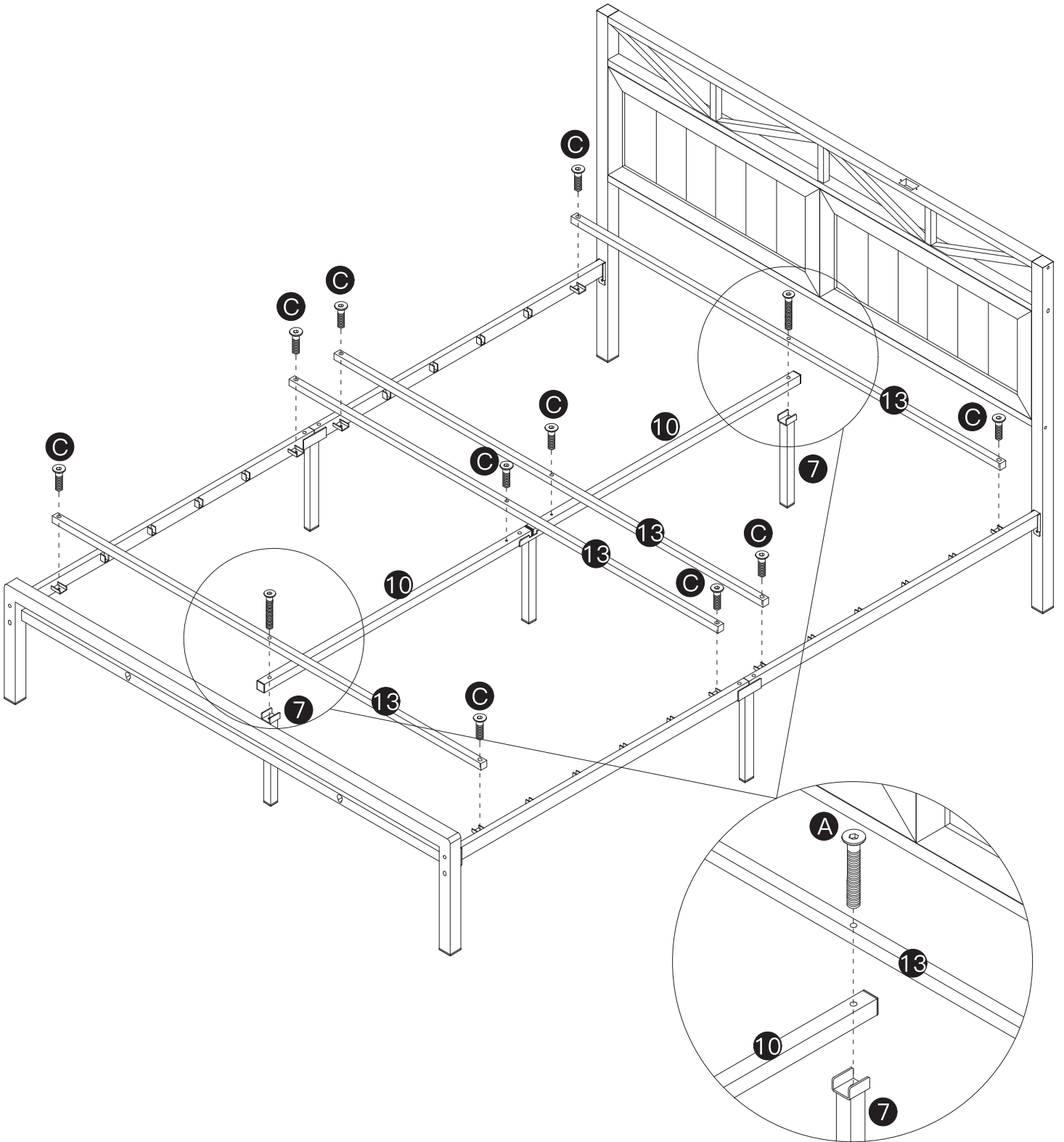
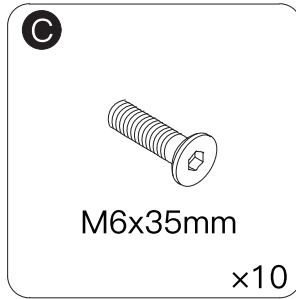
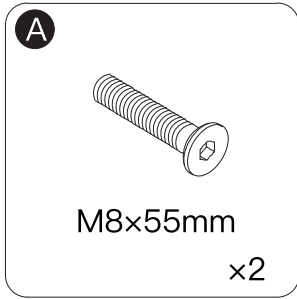
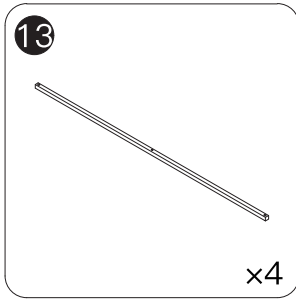
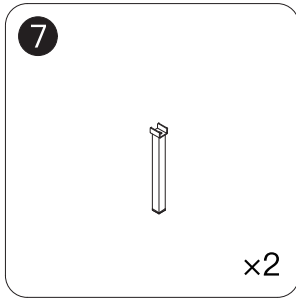


STEP 7

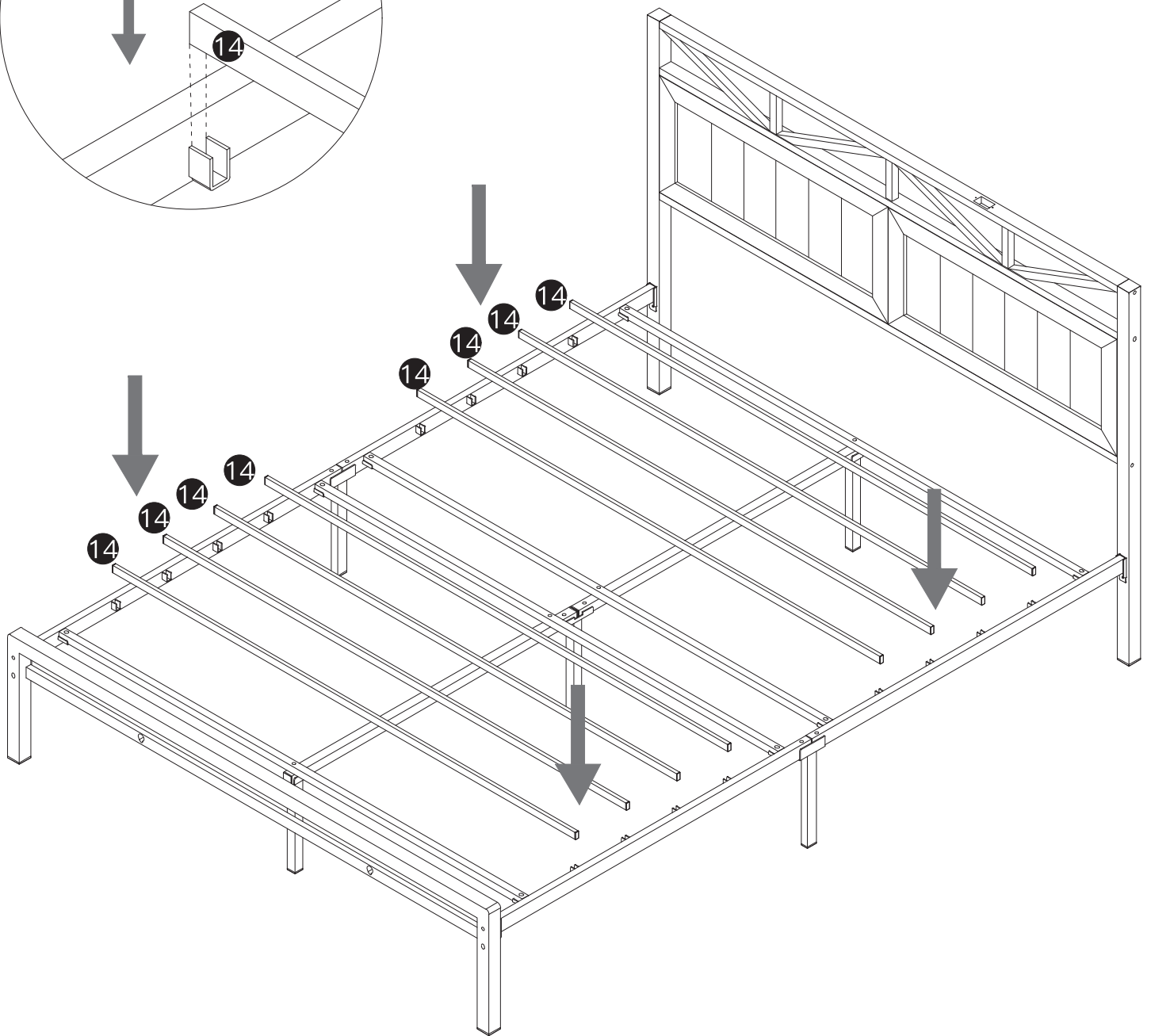
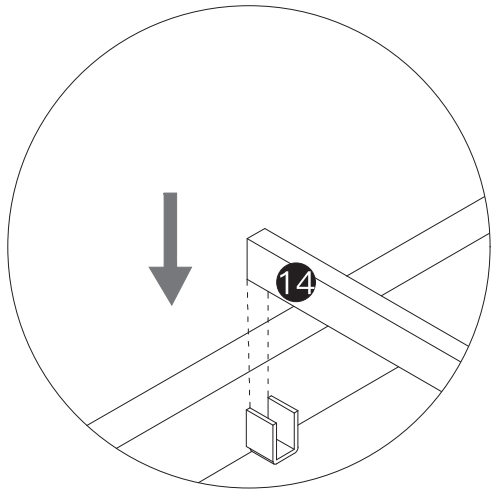
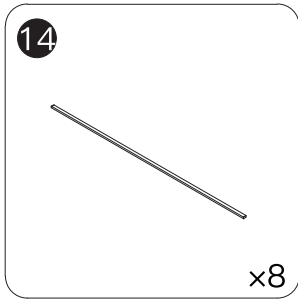


NOTICE:
Make sure the side with hole of part 16 are facing the front as shown.

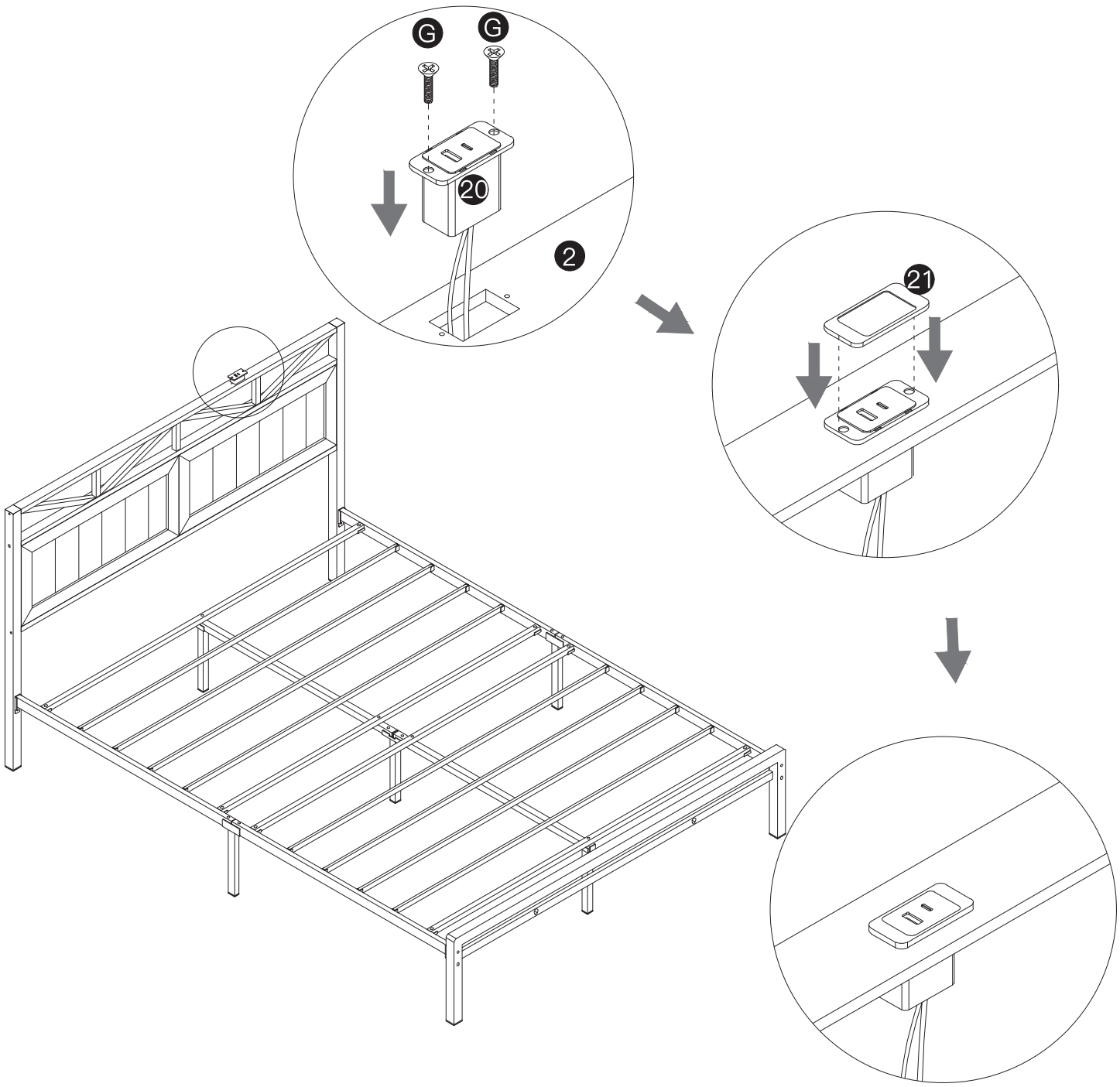
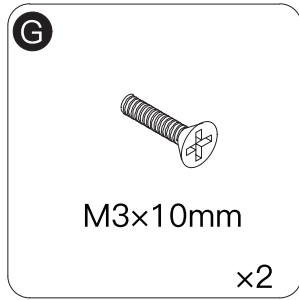
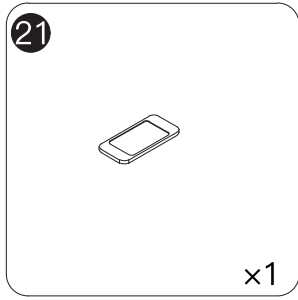
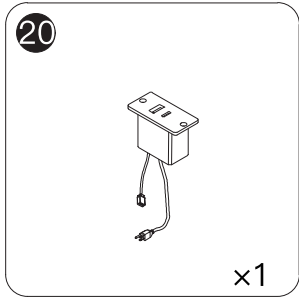
STEP 8



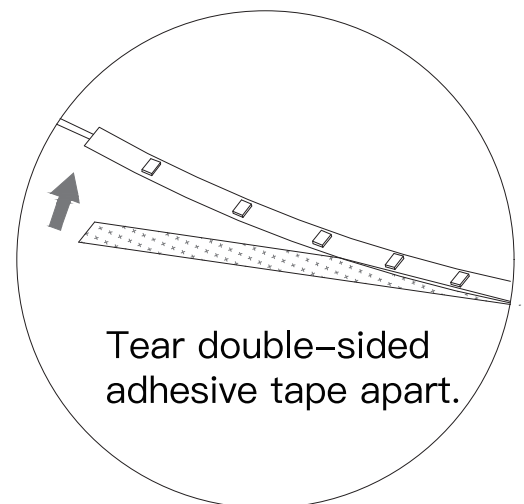
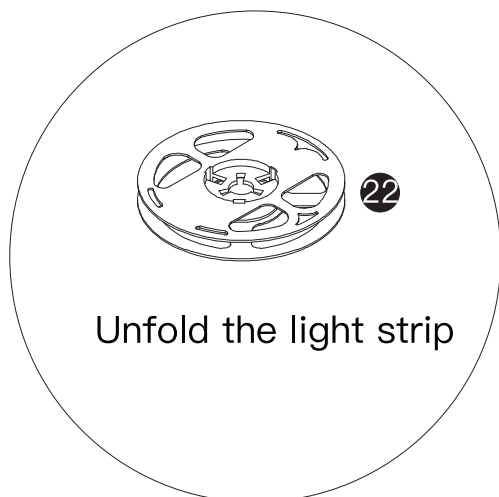
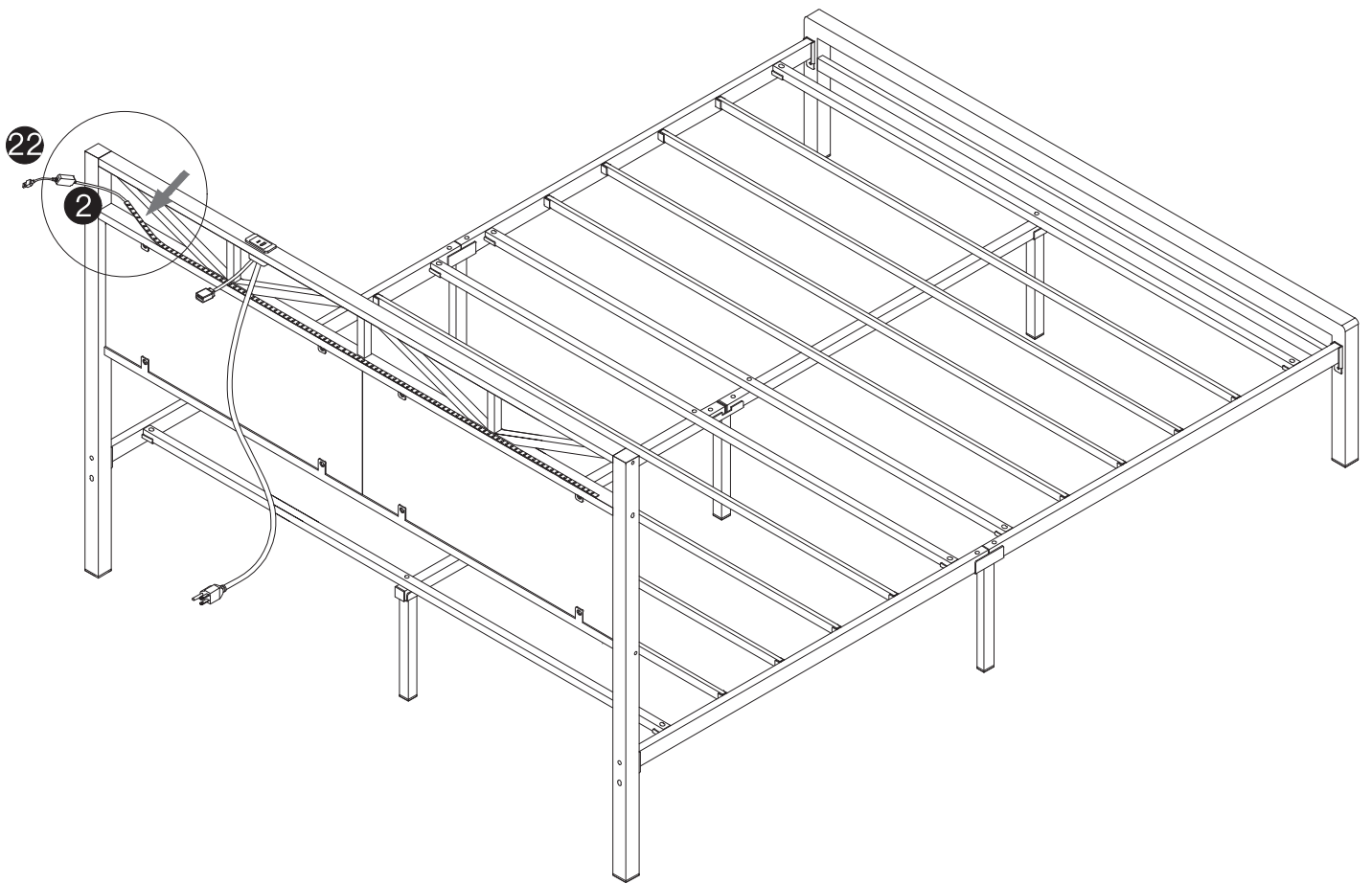
STEP 9



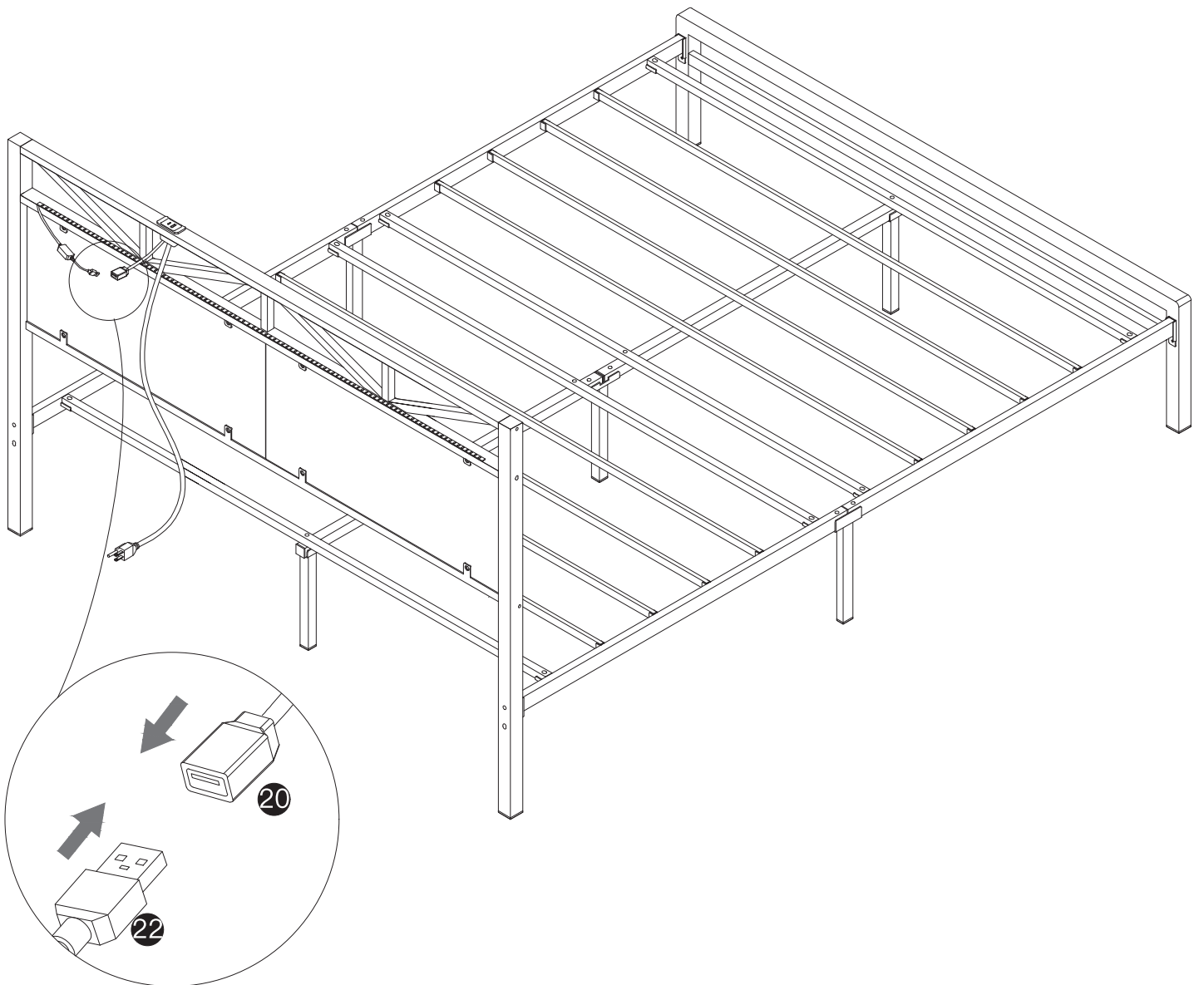
STEP 10



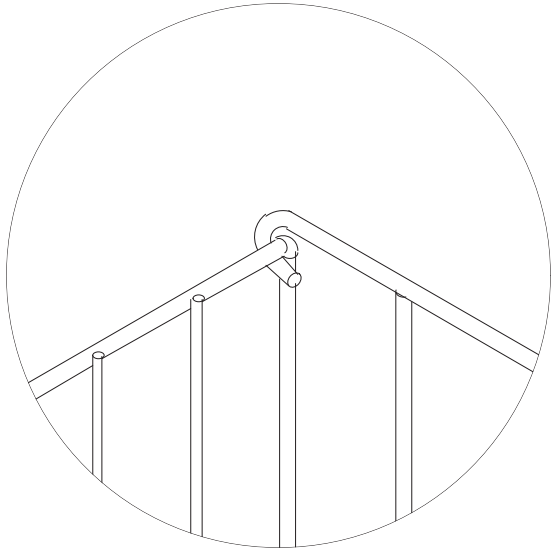
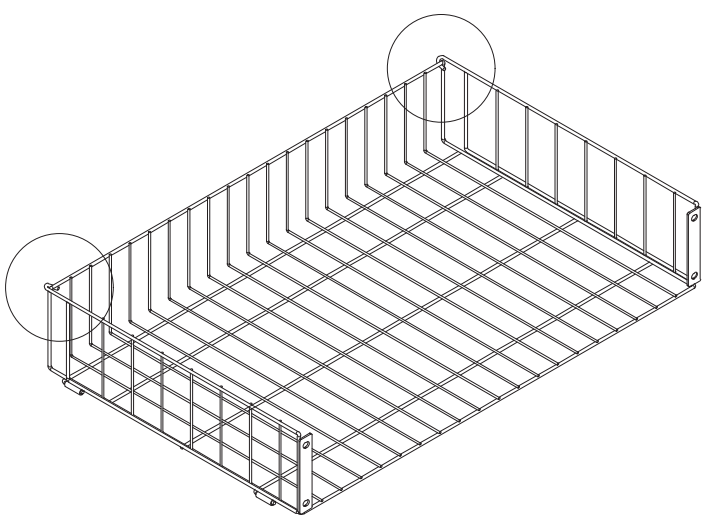
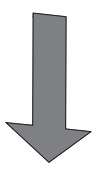
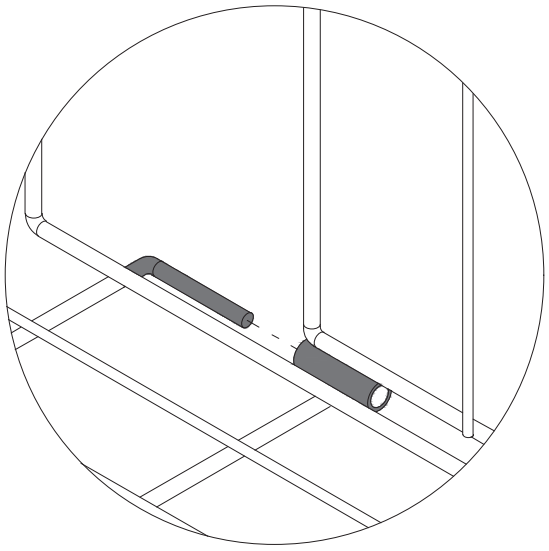
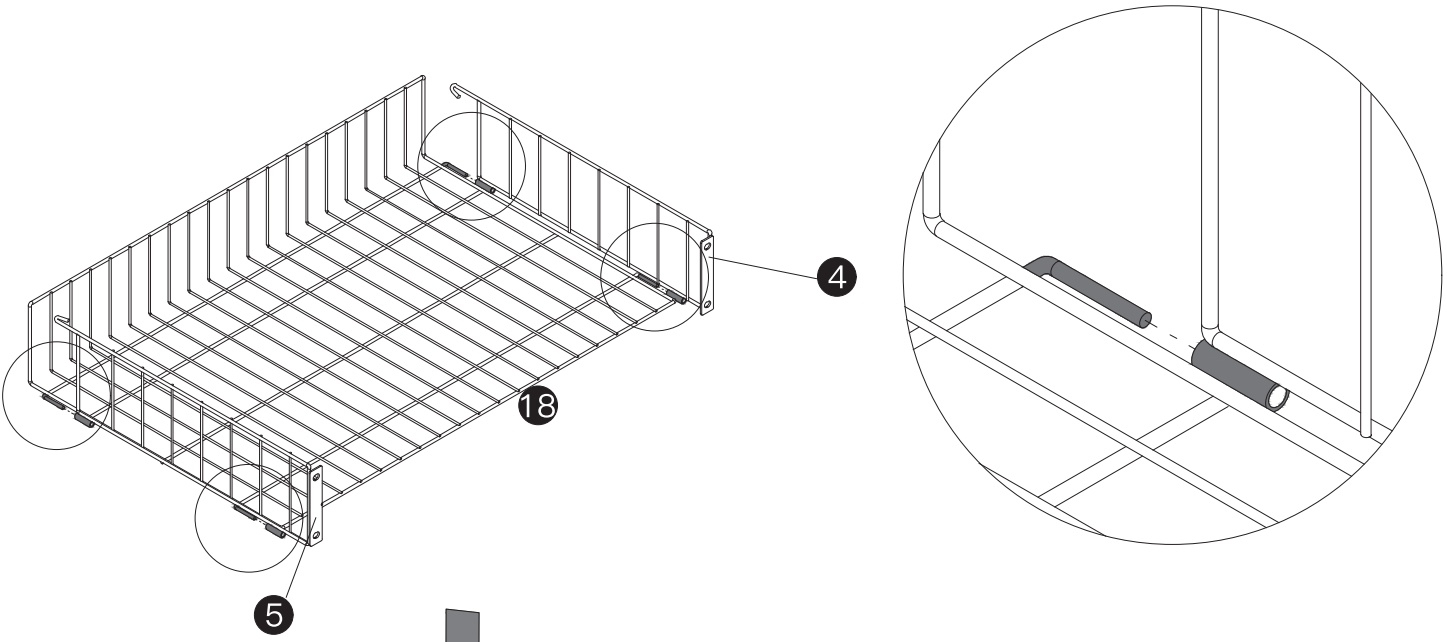
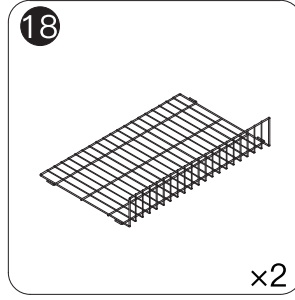
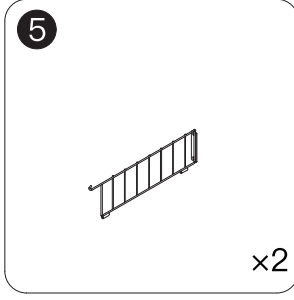
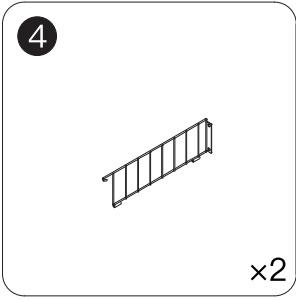
STEP 11



STEP 12

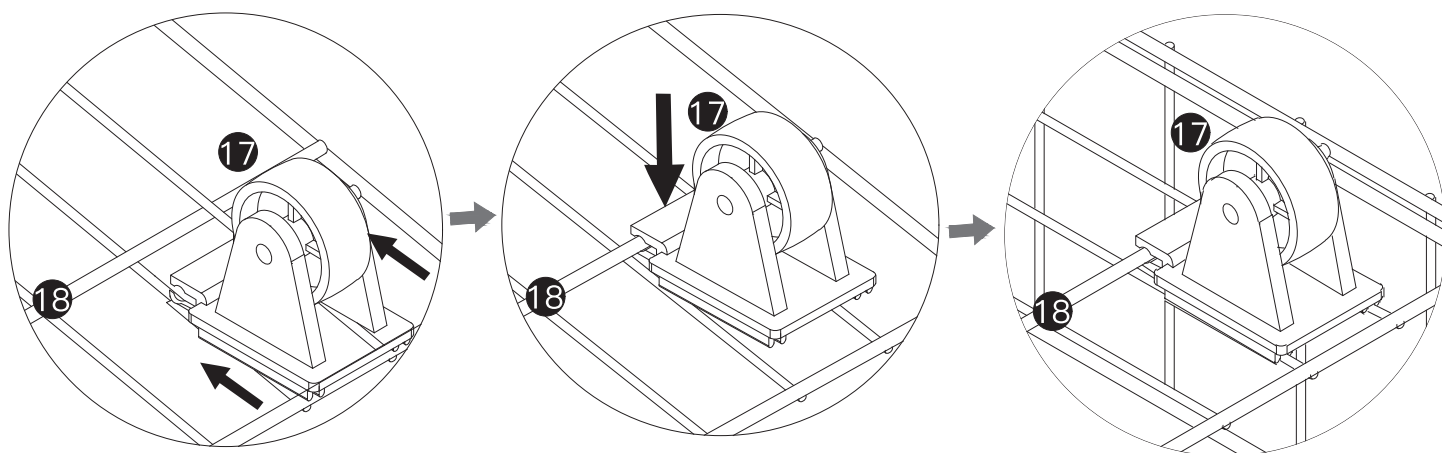
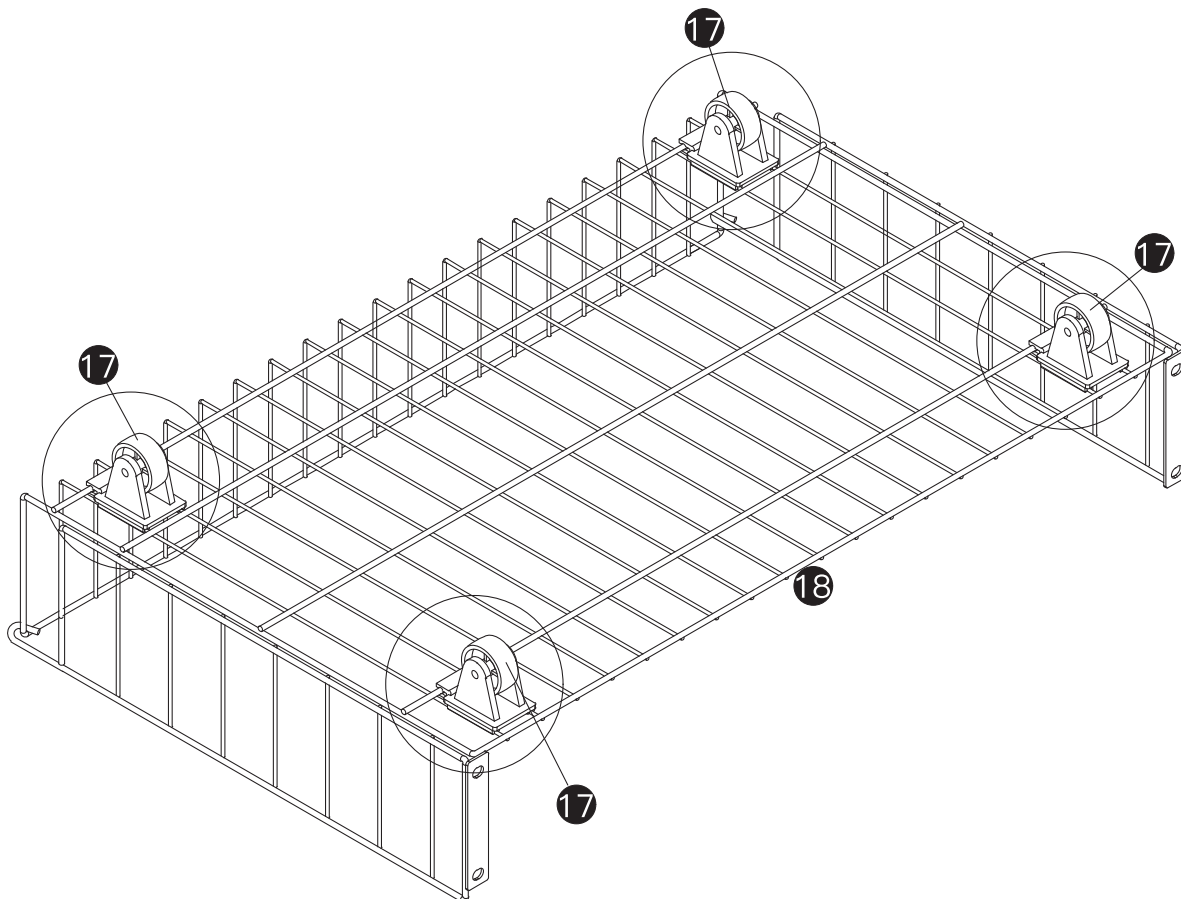
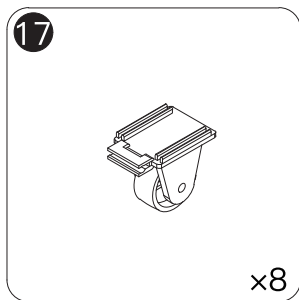


STEP 13



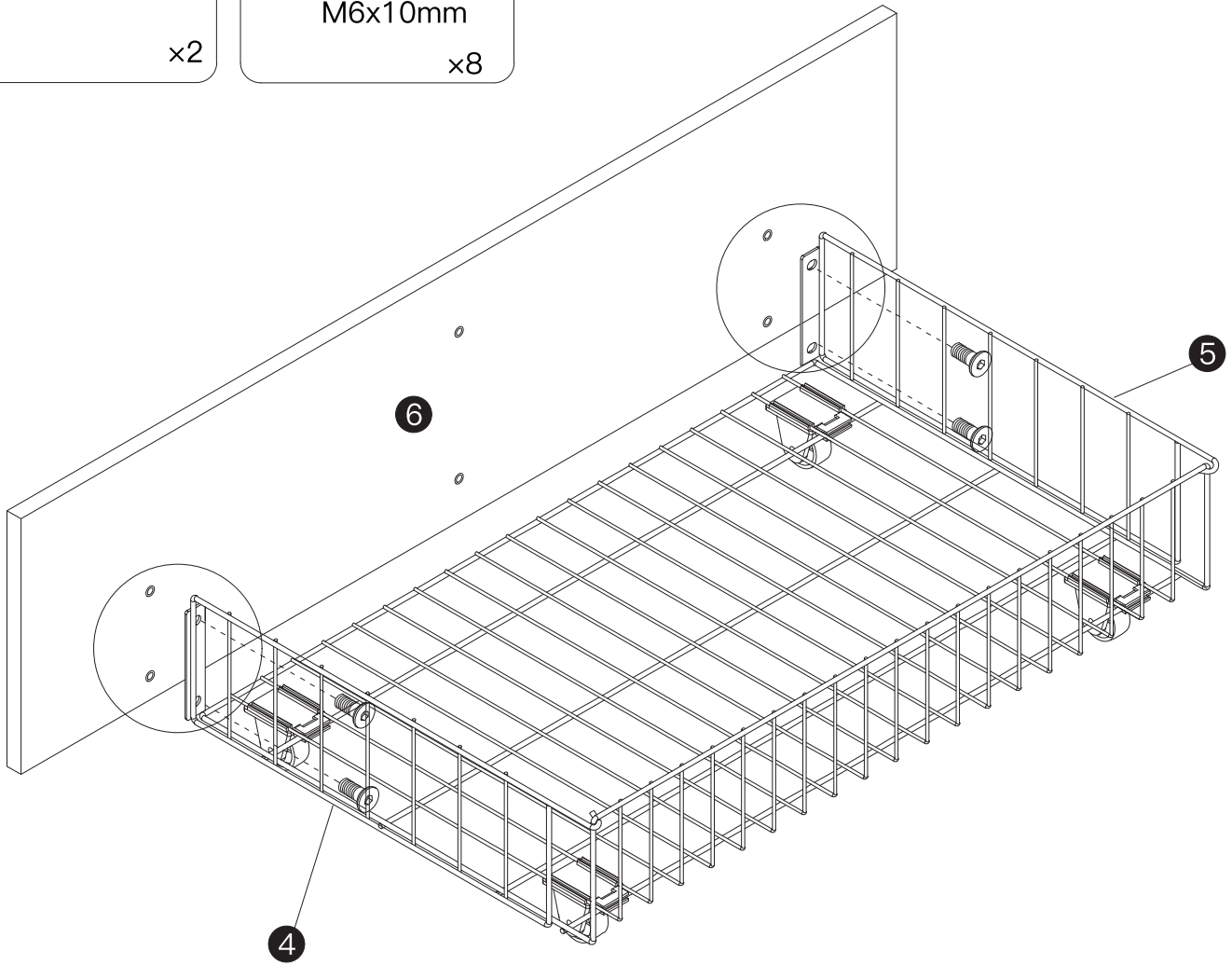
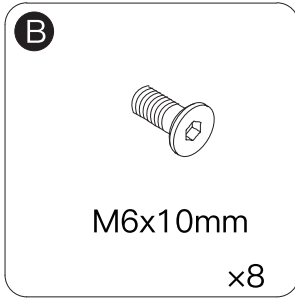
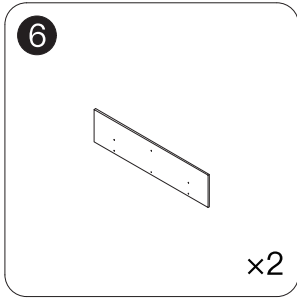
x2

STEP 14

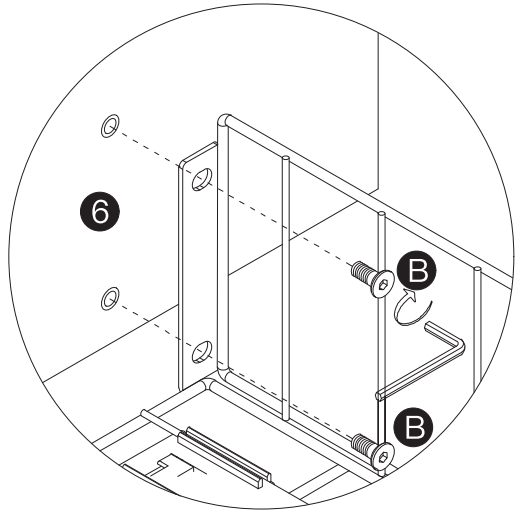
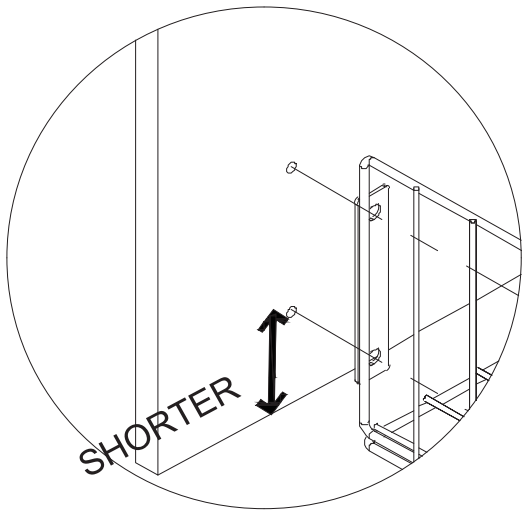


x2

STEP 15

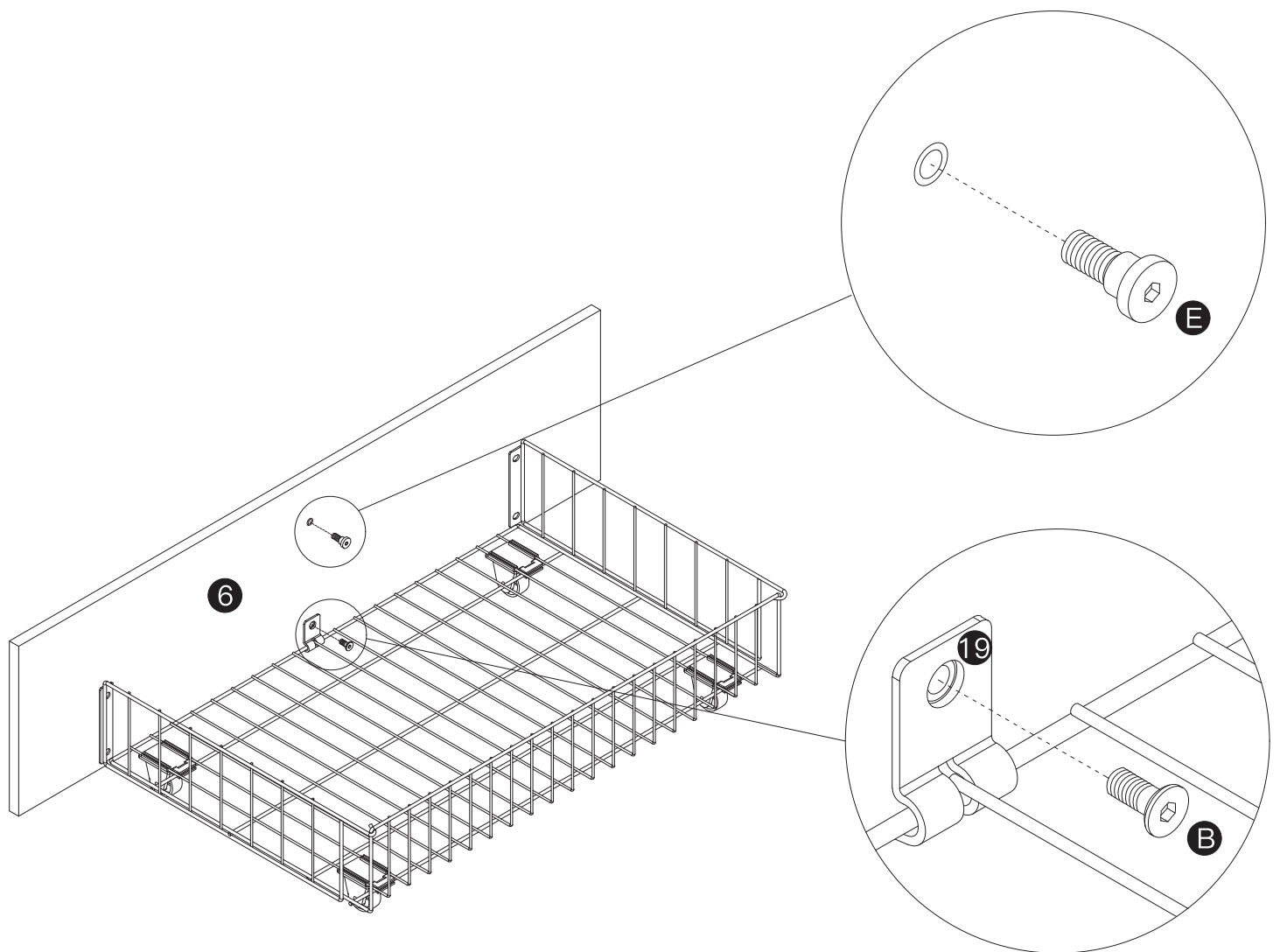
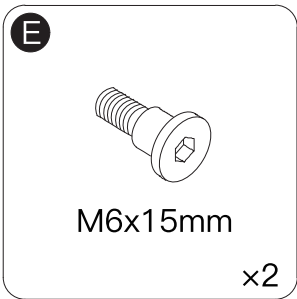
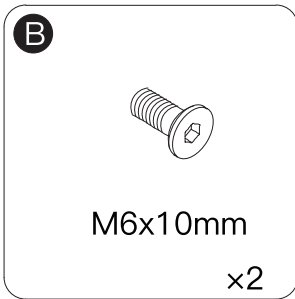
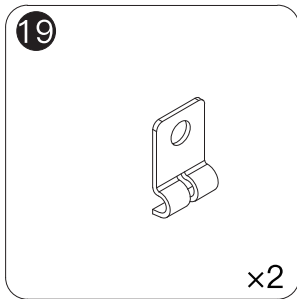


NOTICE:
Make sure the frame is installed on the shorter side of the front panel.



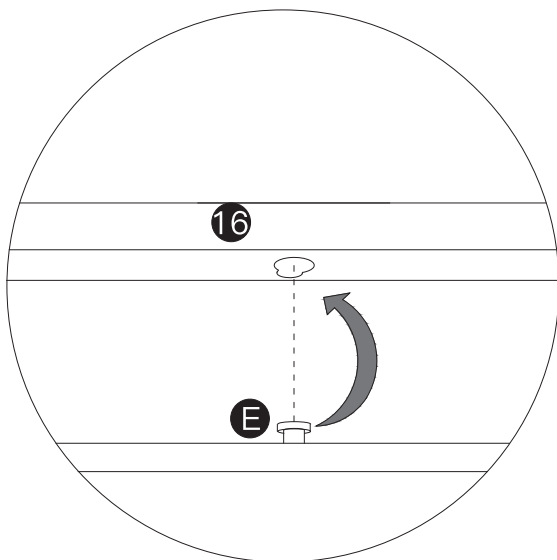
x2

STEP 16



x2

STEP 17



NOTICE:

Please hang part **E** in the hole of part **16** .

