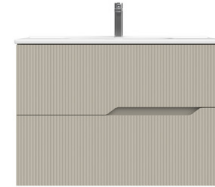


Features

- Complete Vanity Unit
- Vanity Available in 4 Finishes: Matte White, Natural Oak, Matte Mink and Matte Leaf
- Wall-hung design offers a clean, streamlined look
- Trendy new reeded design that brings beauty and style to the bathroom
- Two soft close drawers
- Hettich sliding system
- Includes integrated sink and vanity top in gloss white ceramic
- Sink with Faucet Hole and Overflow
- Fully assembled
- Structure and front made of engineered wood in wood finishes and high gloss lacquered
- Handle integrated in front of furniture
- Hidden hanging bracket directly assembled with great resistance and depth regulations



Tulipa C80



Related Items:

- WSBC 53991 | Push Waste Drain
- WSBC 53922 | Decorative Trap
- Tulipa COL01 | Bathroom Column


Finishes:

-  Matte White
-  Natural Oak
-  Matte Mink
-  Matte Leaf

SKU# | Options:

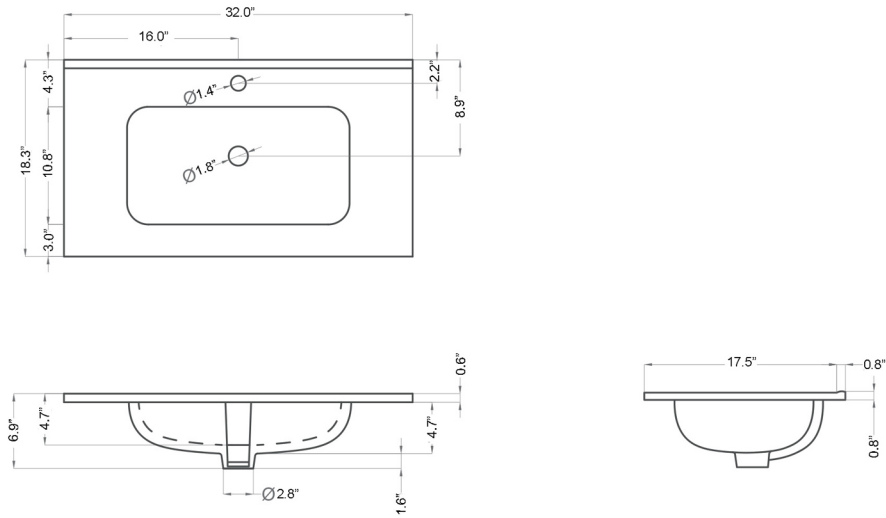
- Tulipa C80.100 WM | Matte White
- Tulipa C80.100 NO | Natural Oak
- Tulipa C80.100 MIM | Matte Mink
- Tulipa C80.100 LM | Matte Leaf

* WS Bath Collections reserve the right to make revisions without notice to product specifications, dimensions, or information.

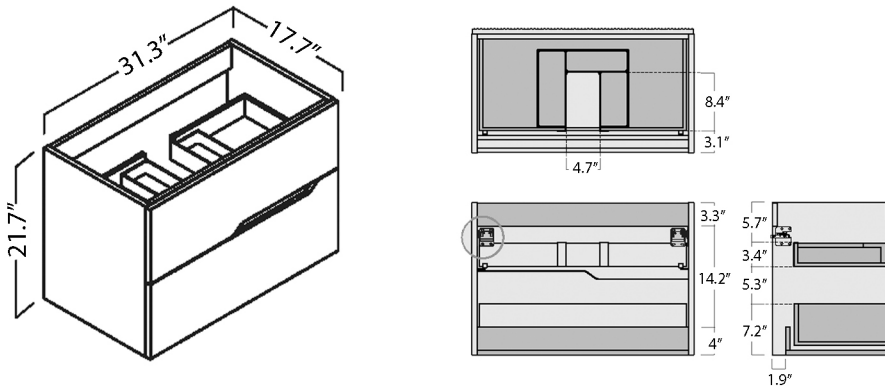
Collection Tulipa	Model Tulipa C80	Dimensions Metric <i>1 inch = 2.54 cm</i> <i>1 inch = 25.4 mm</i>	 1051 Lea Drive - Collegeville, PA 19426 Tel. 215 513 9400 - Fax 610 831 0215 www.ws bathcollections.com - info@ws bathcollections.com
-------------------------------	------------------------------	---	---

Tulipa C80

Sink




Base Unit



Technical information



* WS Bath Collections reserve the right to make revisions without notice to product specifications, dimensions, or information.

<p>Collection Tulipa</p>	<p>Model Tulipa C80</p>	<p>Dimensions Metric 1 inch = 2.54 cm 1 inch = 25.4 mm</p>	 <p>1051 Lea Drive - Collegeville, PA 19426 Tel. 215 513 9400 - Fax 610 831 0215 www.wsbatchcollections.com - info@wsbatchcollectins.com</p>
---------------------------------------	--------------------------------------	--	---

We recommend the following drains, traps, and hardware with your fixture:
Drains & Traps as shown below are compatible together.

TRAPS



WSBC 53922
Our best seller

- Polished Chrome
WSBC 53922.29
- Glossy White
WSBC 53922.09
- Matte Black
WSBC 53922.22
- Matte White
WSBC 53922.26
- Other options:
Please visit our website



WSBC 53925

- Polished Chrome
WSBC 53925.29



WSBC 53921
Space saving

- Polished Chrome
WSBC 53921.29
- Glossy White
WSBC 53921.09
- Matte Black
WSBC 53921.22
- Matte White
WSBC 53921.26
- Other options:
Please visit our website

DRAINS



WSBC 00076
Our best seller
Push waste drain (click clack)
Universal
Works with sinks with or without overflow

- Polished Chrome
WSBC 00076.29
- Glossy White
WSBC 00076.09
- Matte Black
WSBC 00076.22
- Matte White
WSBC 00076.26
- Glossy Black
WSBC 00076.18
- Other options:
Please visit our website



WSBC 53991
Our best seller
Push waste drain (click clack)
With overflow
Works with sinks with overflow

- Polished Chrome
WSBC 53991.29
- Glossy White
WSBC 53991.09
- Matte Black
WSBC 53991.22
- Matte White
WSBC 53991.26
- Glossy Black
WSBC 53991.18
- Other options:
Please visit our website

Other Drain Options Available:
- Always open/grid drain
- Drains with ceramic cover

MOUNTING HARDWARE

Wall Mounted Sinks

Bolts and nuts
(Included)



Vessel - Countertop Sinks

Silicon

Available at hardware stores



Separation Rings

To be used with vessel sinks (optional)

WSBC 5398



Under Mount Sinks

Under Mount sink clips

Available at hardware stores



* WS Bath Collections reserve the right to make revisions without notice to product specifications, dimensions, or information.

Collection Drains & Traps	Model Drains & Traps	Dimensions Metric <i>1 inch = 2.54 cm</i> <i>1 inch = 25.4 mm</i>	<p style="font-size: small; margin-top: 10px;">1051 Lea Drive - Collegeville, PA 19426 Tel. 215 513 9400 - Fax 610 831 0215 www.ws bathcollections.com - info@ws bathcollections.com</p>
---------------------------------------	----------------------------------	---	---