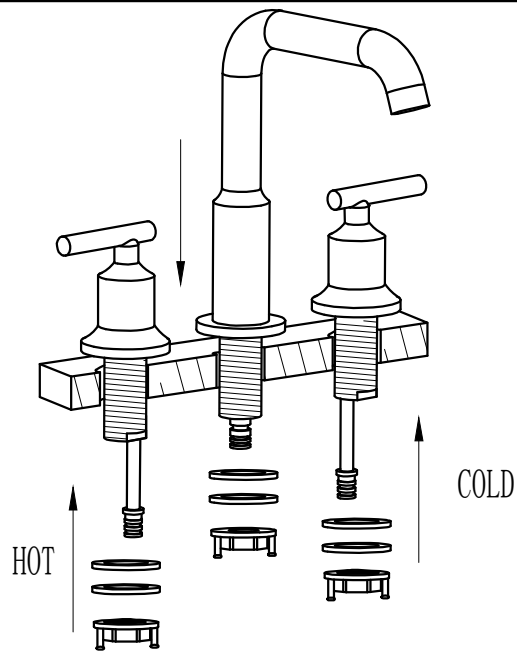
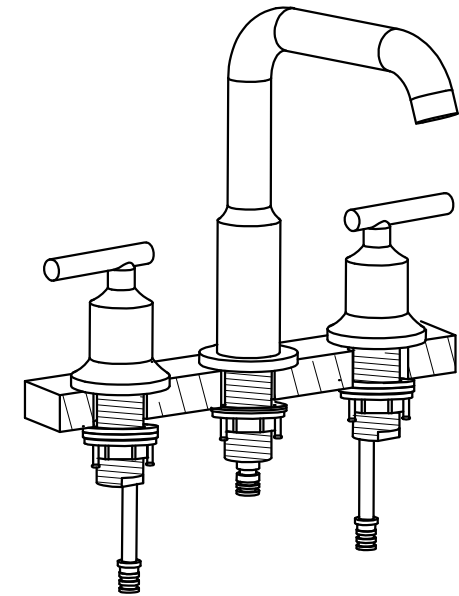


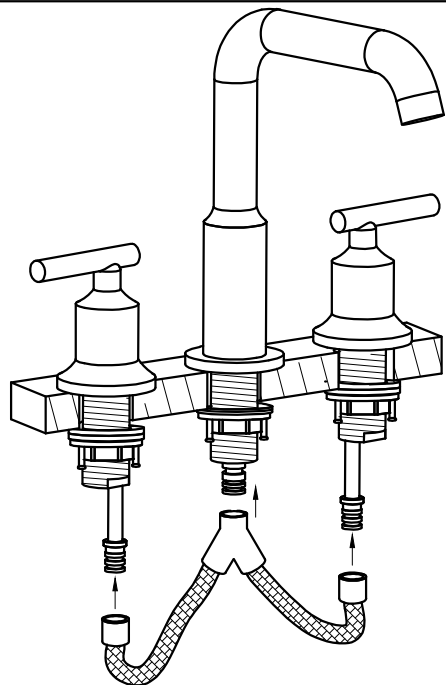
Hole: 35mm, Distance: 100mm



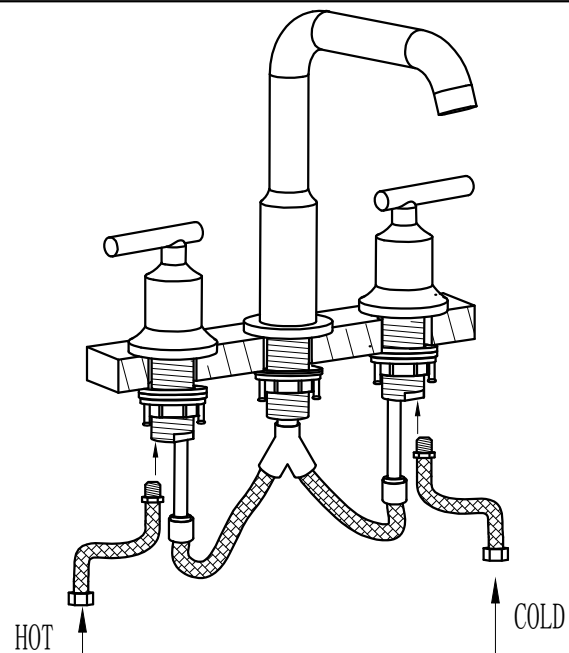
Dispatch the parts



Fixed on the counter and screw it



Connect the pipe of spout and two handles



Then fit the hot/cold water supply

