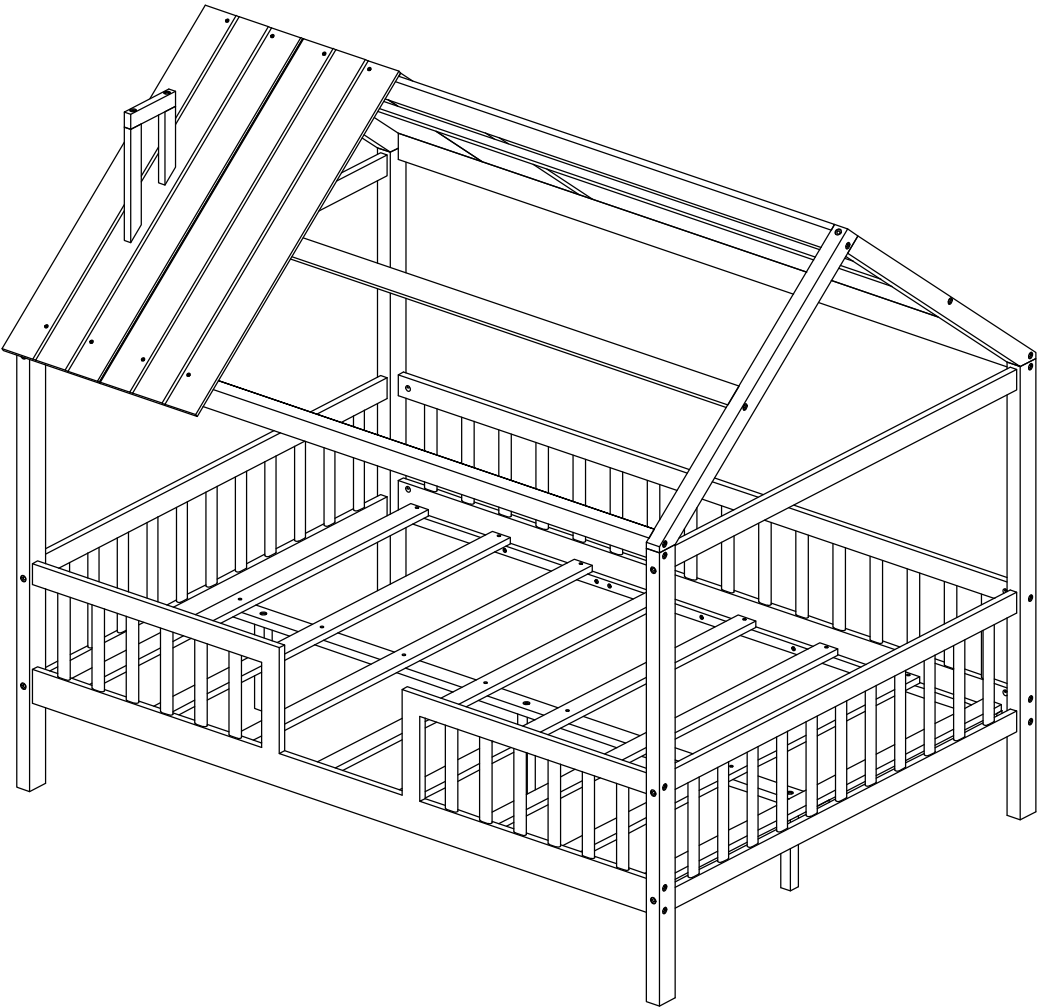


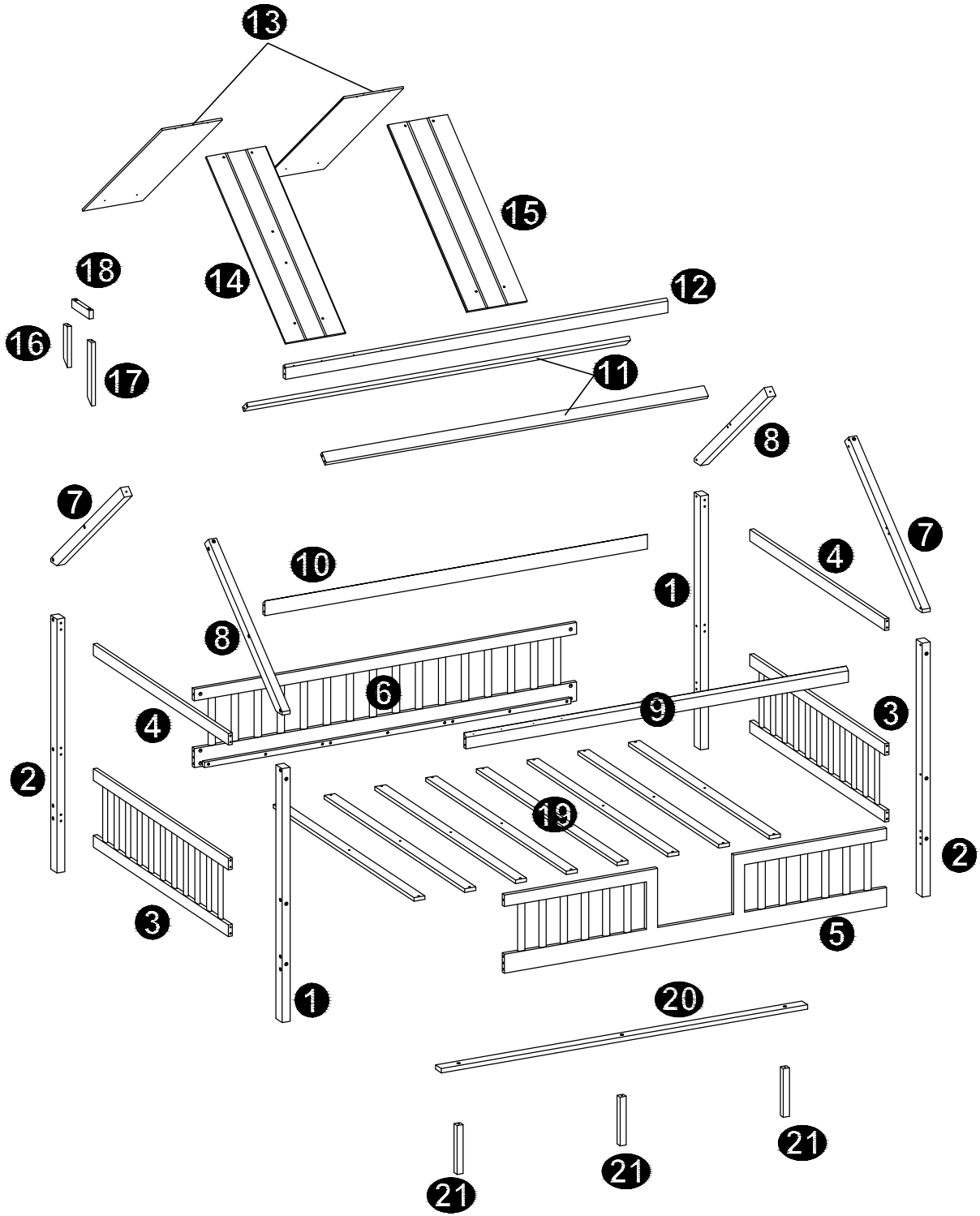
# ASSEMBLY INSTRUCTIONS

## BEDHOUSE+CHIMNEY- FULL SIZE

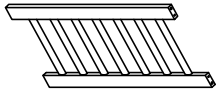

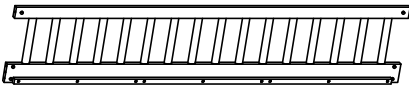
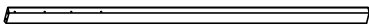
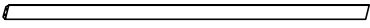

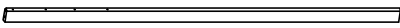



This set is included 2 boxes if don't receive full 2 boxes please contact our customer service team.

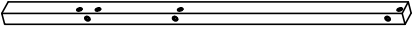
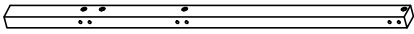
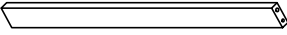
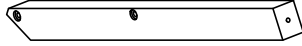
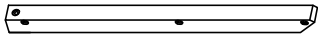
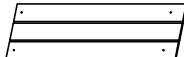
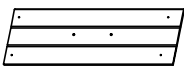
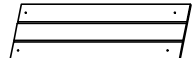
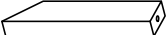
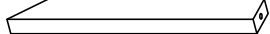
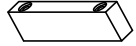
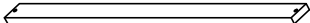
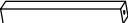
# Detail View












# Part List

<b>3</b>  Hip frame- 2pcs	<b>5</b>  Front frame- 1pc
<b>6</b>  Back frame- 1pc	<b>9</b>  Front crossbar- 1pc
<b>10</b>  Rear crossbar- 1pc	<b>11</b>  Roof board puzzle- 2pcs
<b>12</b>  The roof board puzzle- 1pcs	<b>20</b>  Support bar- 1pc



# Part List

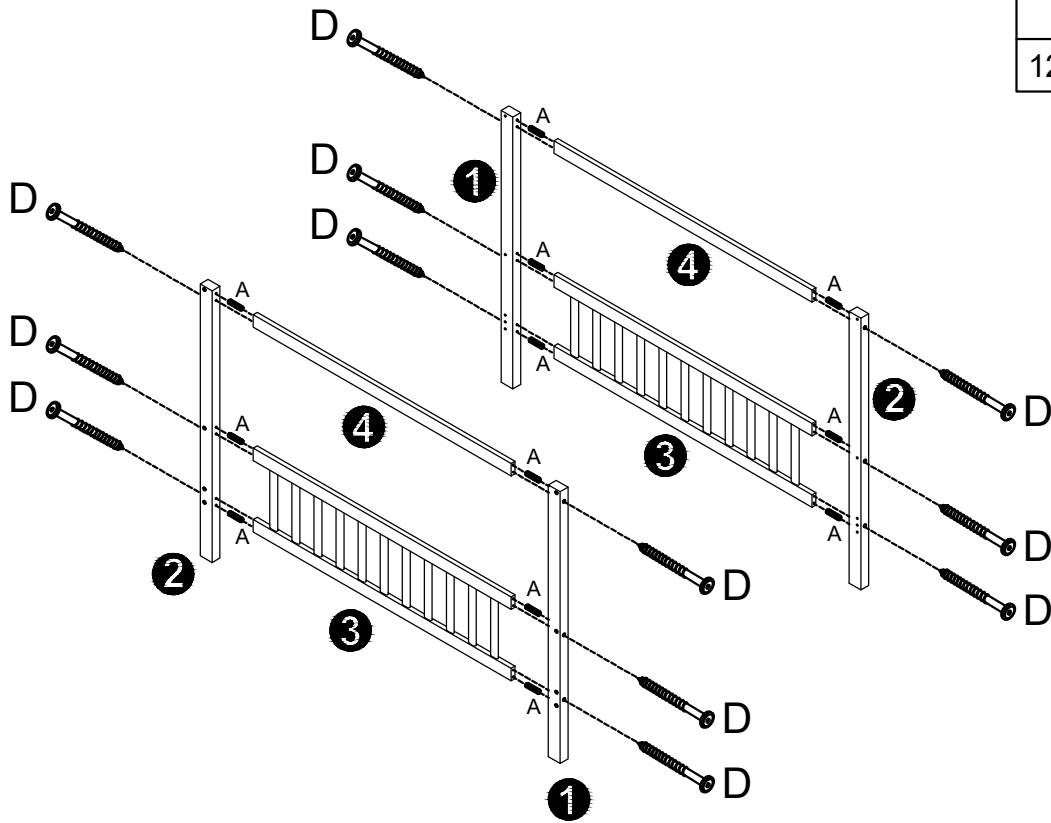
<p><b>1</b></p>  <p>Legs front left back right- 2pcs</p>	<p><b>2</b></p>  <p>Legs front right back left- 2pcs</p>
<p><b>4</b></p>  <p>Upper hip bar- 2pcs</p>	<p><b>7</b></p>  <p>Rear roof slant bar- 2pcs</p>
<p><b>8</b></p>  <p>Front roof slant bar- 2pcs</p>	<p><b>13</b></p>  <p>Rear roof panel- 2pcs</p>
<p><b>14</b></p>  <p>Left front roof panel- 1pc</p>	<p><b>15</b></p>  <p>Rear roof panel- 1pc</p>
<p><b>16</b></p>  <p>Rear decoration quiz- 1pc</p>	<p><b>17</b></p>  <p>Pre-decoration quiz- 1pc</p>
<p><b>18</b></p>  <p>Horizontal decoration puzzle- 1pc</p>	<p><b>19</b></p>  <p>Slat- 8pcs</p>
<p><b>21</b></p>  <p>Extra leg- 3pcs</p>	

# Hardware List




<p><b>A</b></p>  <p>Ø8*30mm</p>	<p><b>B</b></p>  <p>Ø1/4"*80mm</p>	<p><b>C</b></p>  <p>Ø1/4"</p>
<p>Wood dowel (22pcs)</p>	<p>Hex-Head bolt (12pcs)</p>	<p>Horizontal-Hole bolt (12pcs)</p>
<p><b>D</b></p>  <p>Ø6*100mm</p>	<p><b>E</b></p>  <p>Ø6*80mm</p>	<p><b>F</b></p>  <p>#4*30mm</p>
<p>Hex-Head screw (12pcs)</p>	<p>Hex-Head screw (16pcs)</p>	<p>Screw (24pcs)</p>
<p><b>G</b></p>  <p>#4*25mm</p>	<p><b>H</b></p>  <p>Ø6*50mm</p>	<p><b>I</b></p>  <p>K4mm</p>
<p>Screw (24pcs)</p>	<p>Hex-Head screw (7pcs)</p>	<p>Allen key (1pc)</p>

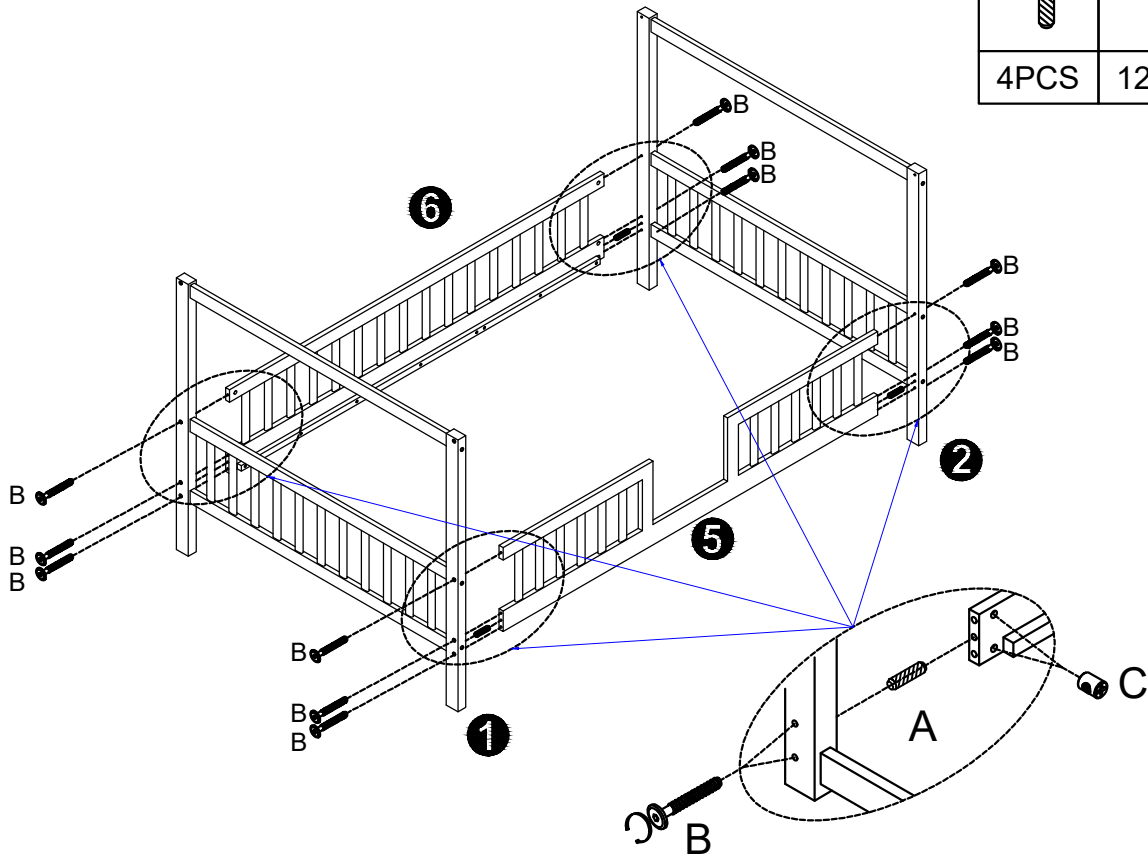
# STEP 1

A	D
	
12PCS	12PCS




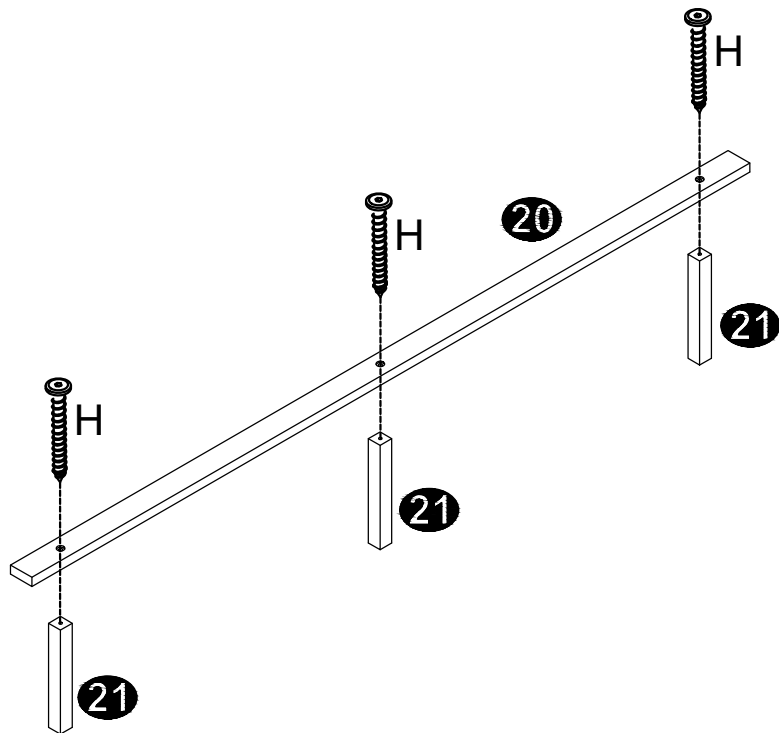
# STEP 2:

A	B	C
		
4PCS	12PCS	12PCS




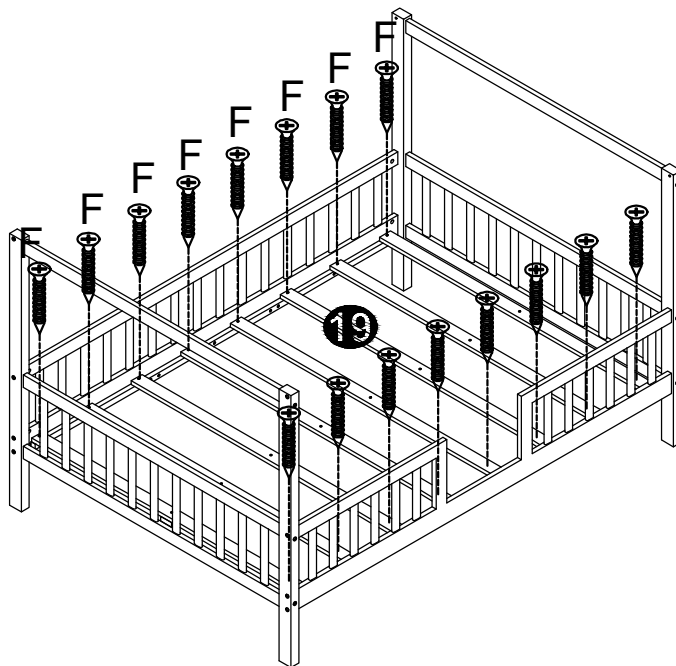
STEP 3:

H	
3PCS	




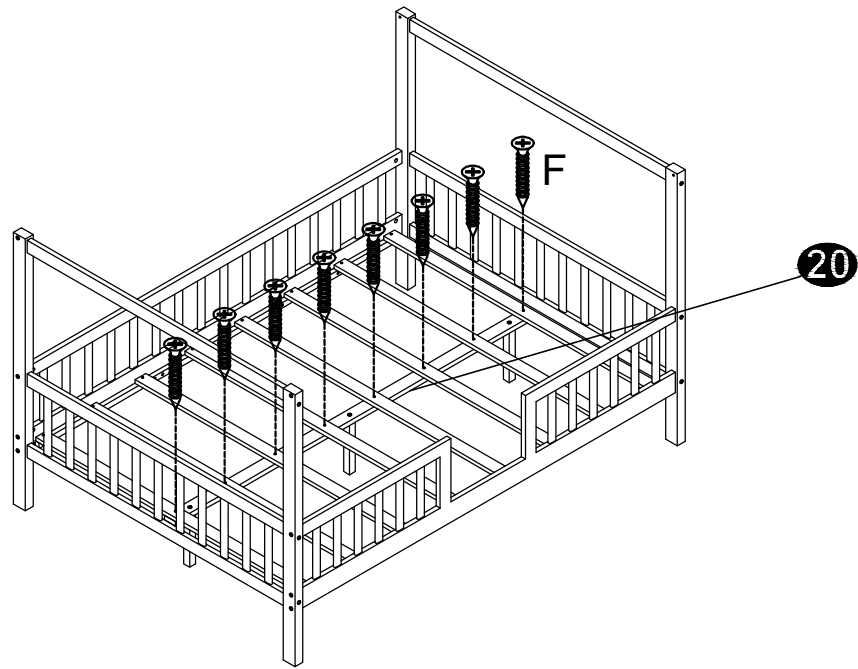
STEP 4

F	
16PCS	




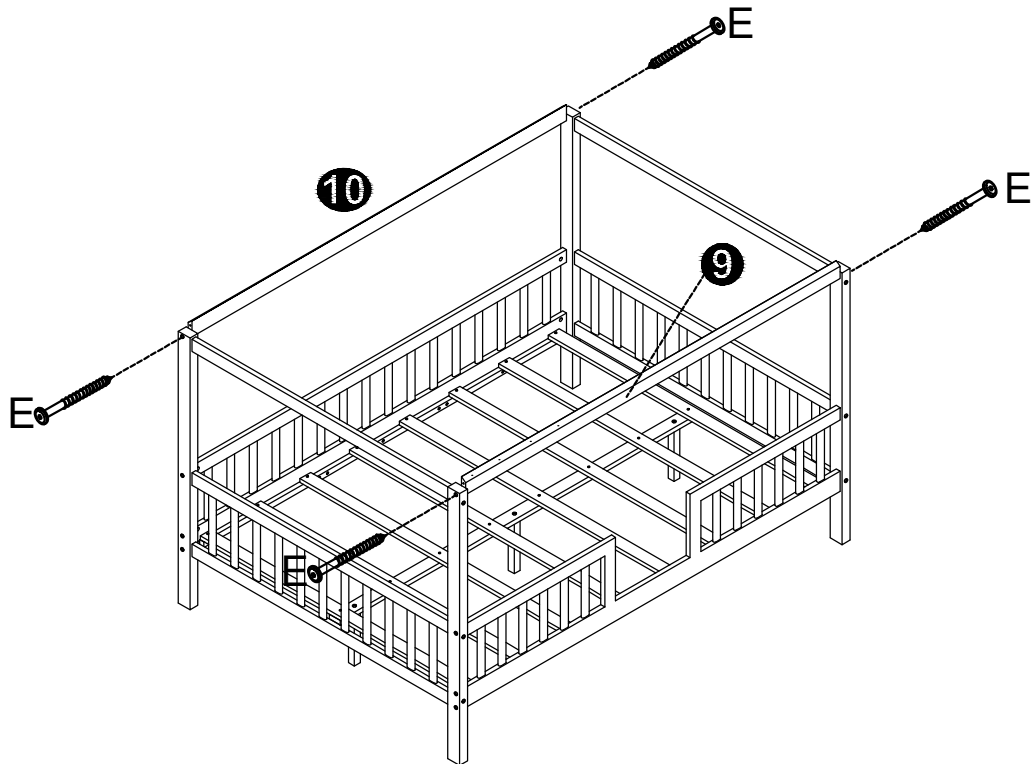
STEP 5

F

8PCS




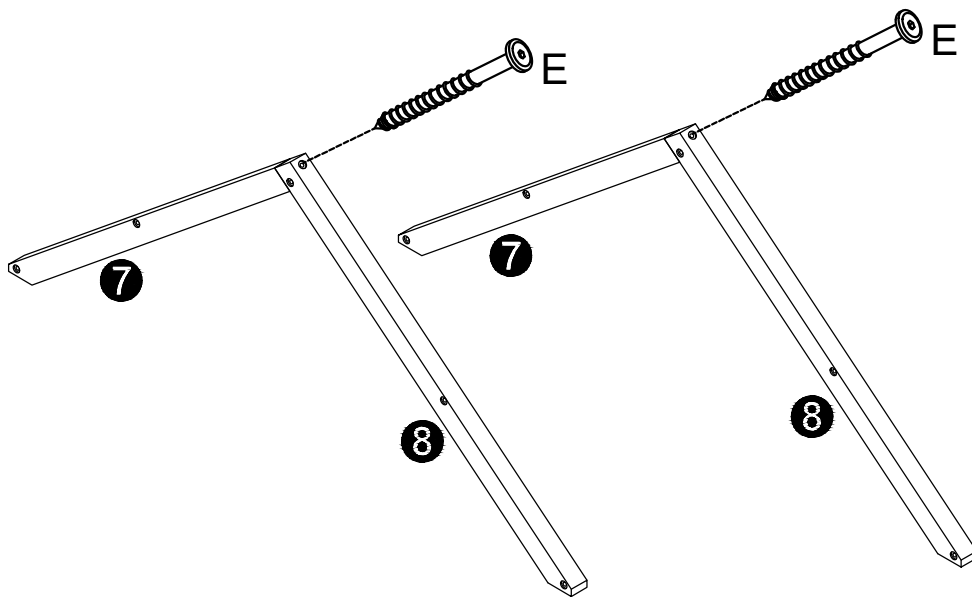
STEP 6

E

4PCS





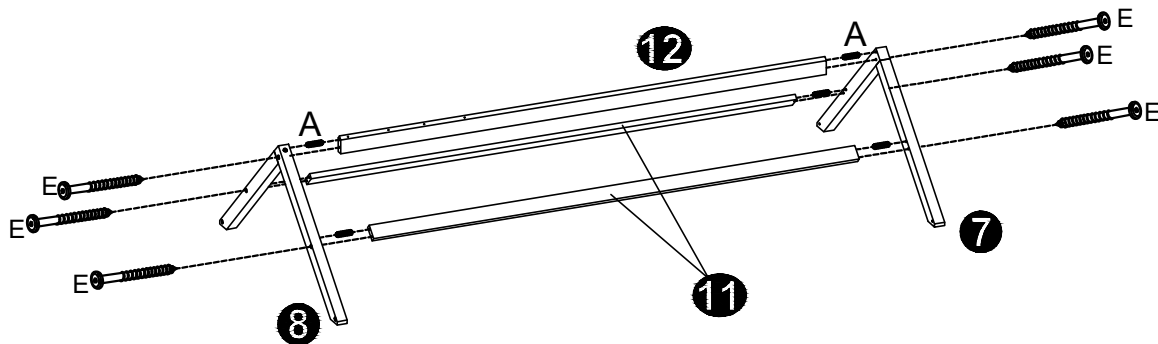
STEP 7

E	
2PCS	




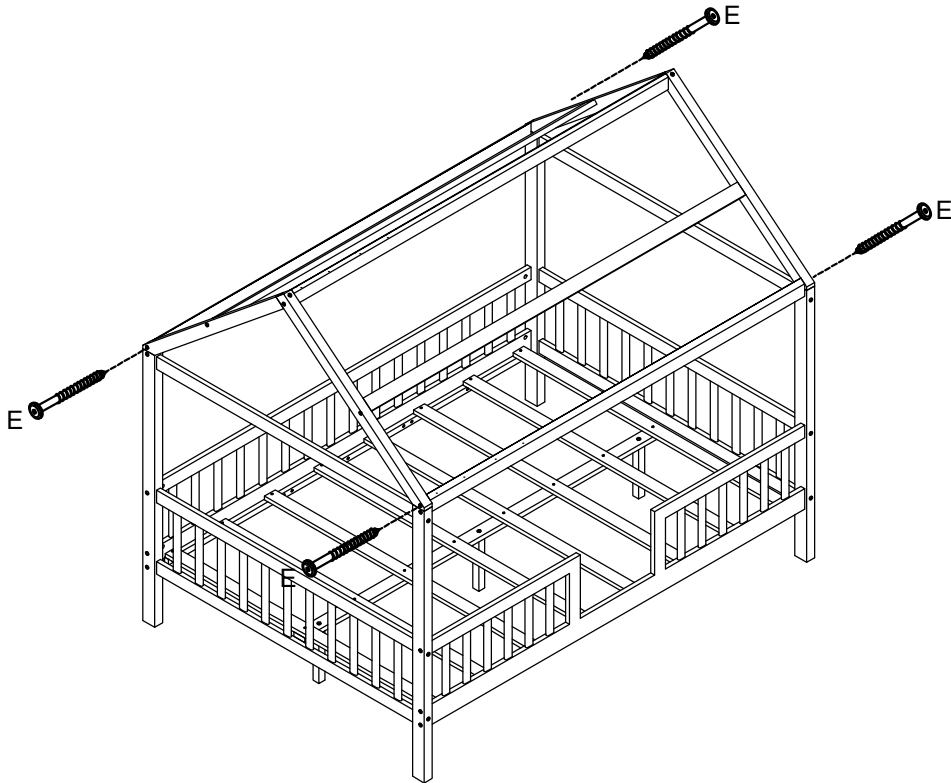
STEP 8

A		E	
6PCS		6PCS	




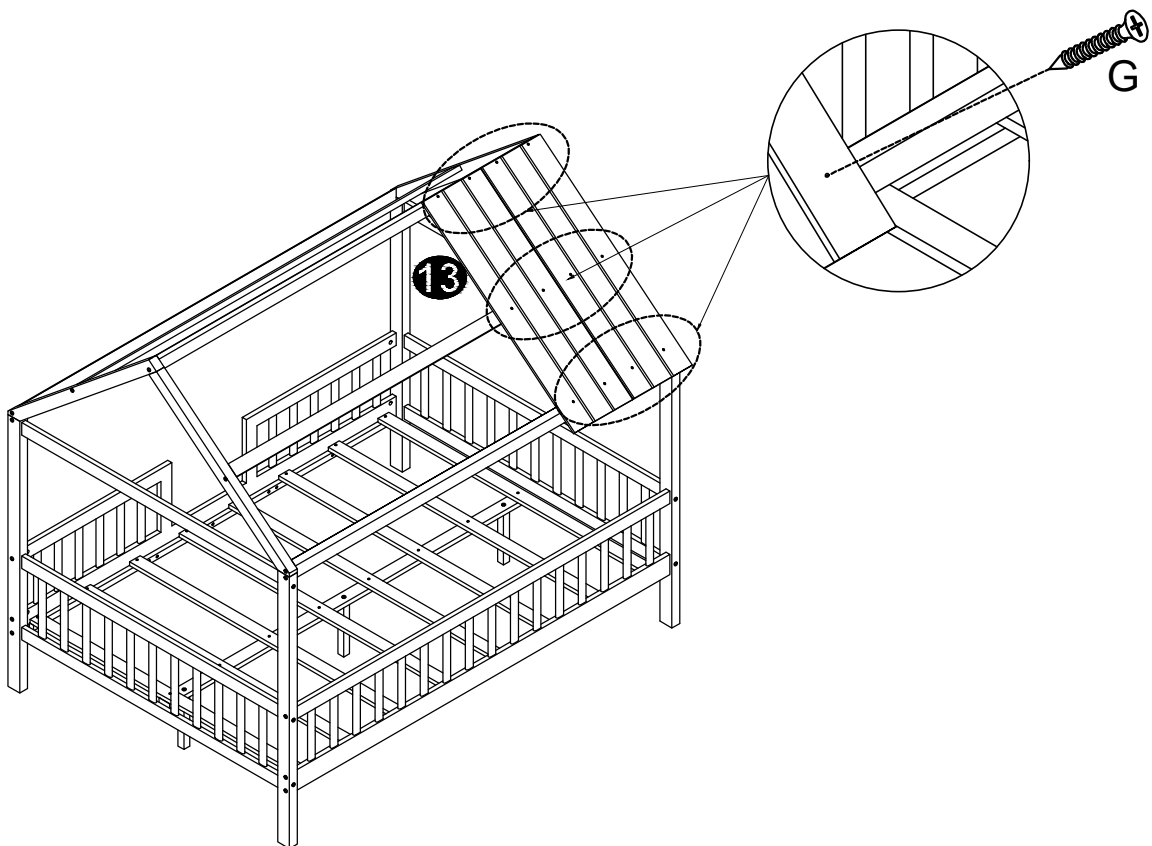
STEP 9

E	
4PCS	




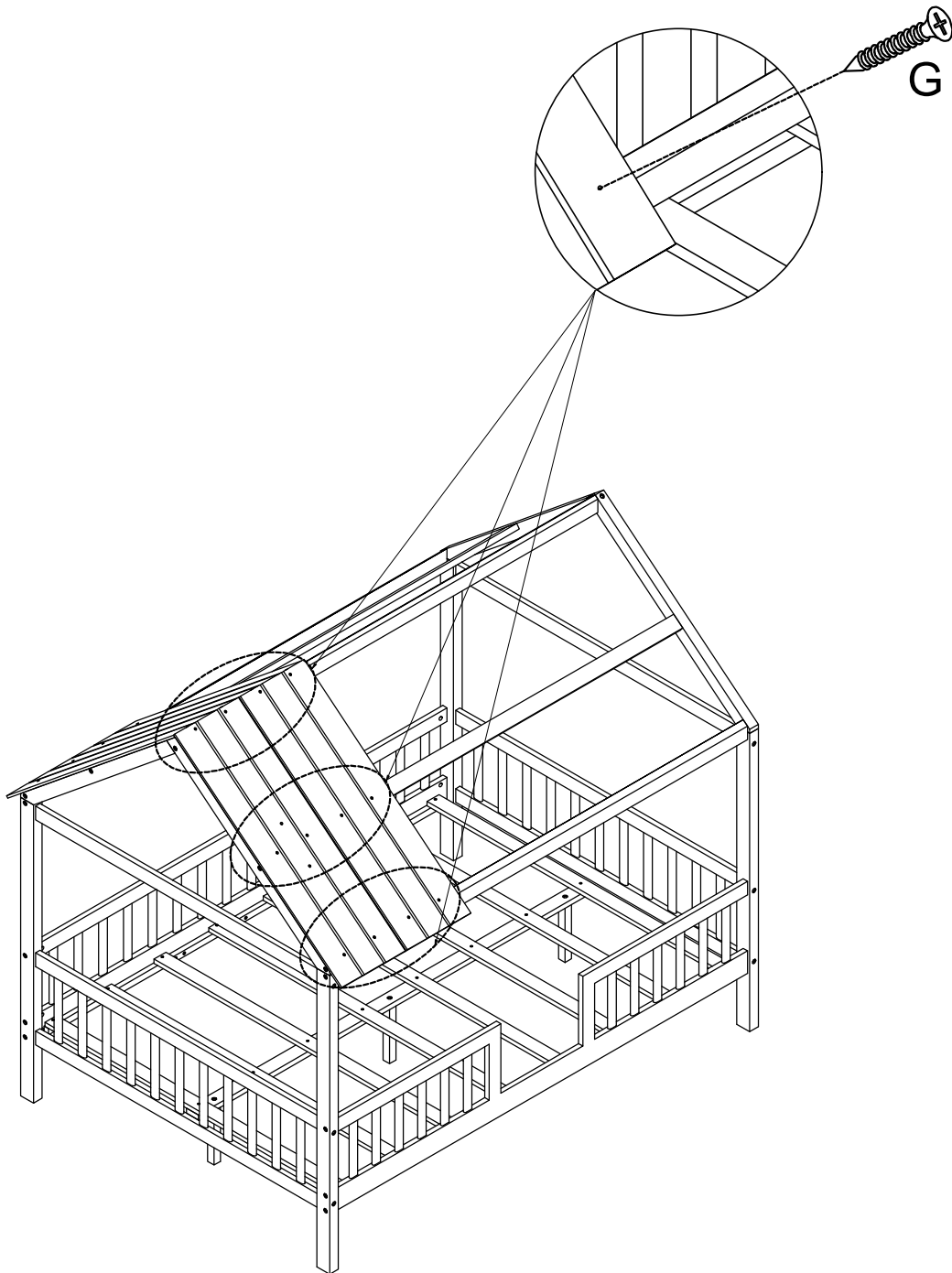
STEP 10

G	
12PCS	




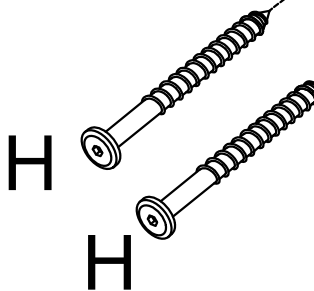
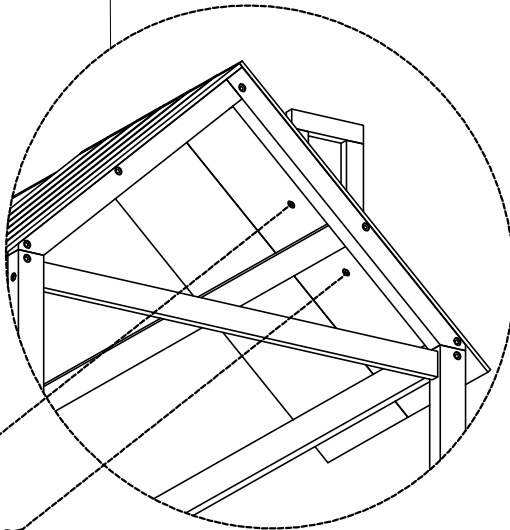
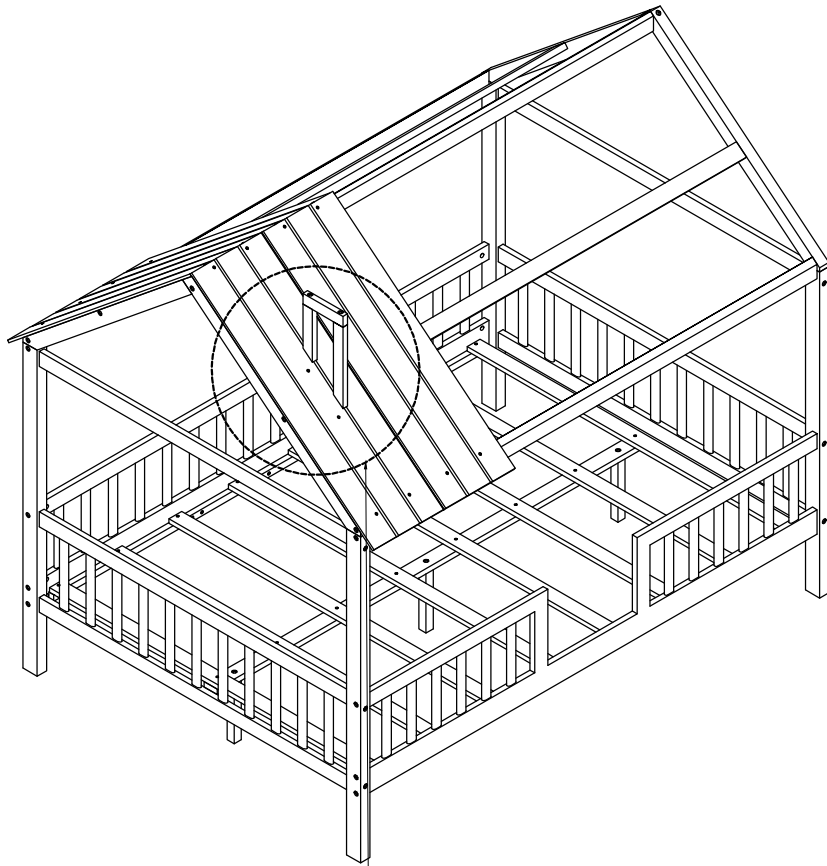
STEP 11

G

12PCS



STEP 12

H	
2PCS	



COMPLETED

