



# BIM182OSADALHD



32.5" x 17.75" x 23.75" (H x W x D)

18" wide outdoor clear icemaker for built-in or freestanding use under ADA-compliant counters, with stainless steel door and cabinet

### Highlights:

Slim 18" width is perfect to complete any wet bar or undercounter kitchen space

Produces up to 60 lbs. of clear ice cubes in a day cycle with a 33lb. storage capacity

Full stainless steel exterior ensures lasting durability with professional style

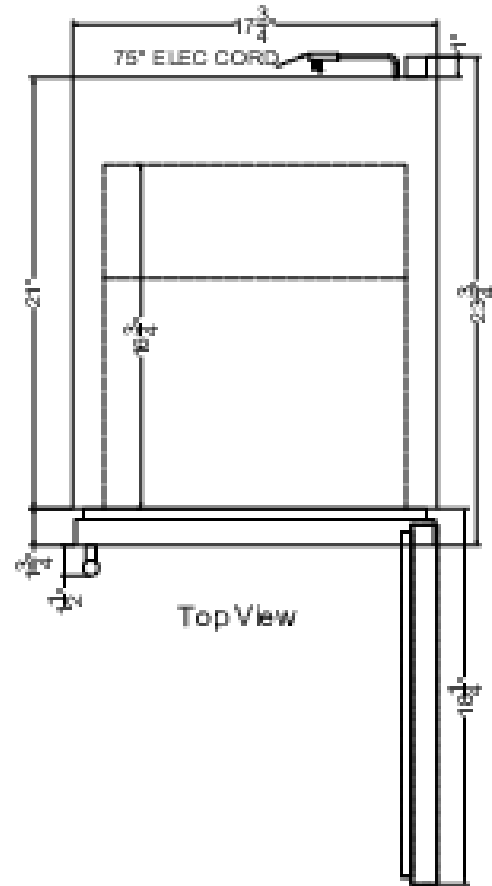
### Product Features:

18" Wide Clear Ice maker	Built-in undercounter icemaker ideal for installation in kitchens, wet bars, break rooms, and other settings
Weatherproof design	Durable stainless steel construction for safe installation in outdoor spaces
ADA-compliant	32.5" height allows easy installation under lower ADA compliant counters
Built-in capable	Make the best use of space by installing your icemaker under the counter
60 lb. production capacity	Can make up to 60 lbs. of clear ice cubes in a day cycle and store up to 33 lbs. per day
Height adjustable	This unit can be raised to 34.75", with a taller kickplate included for a seamless aesthetic
Built-in pump	Internal pump affords more flexibility in placing the unit
Touch control panel	Provides easy operation of the unit with indicator lights for each stage of the production process
Ice selection	Unit allows users to choose from small, medium, or large clear ice cubes

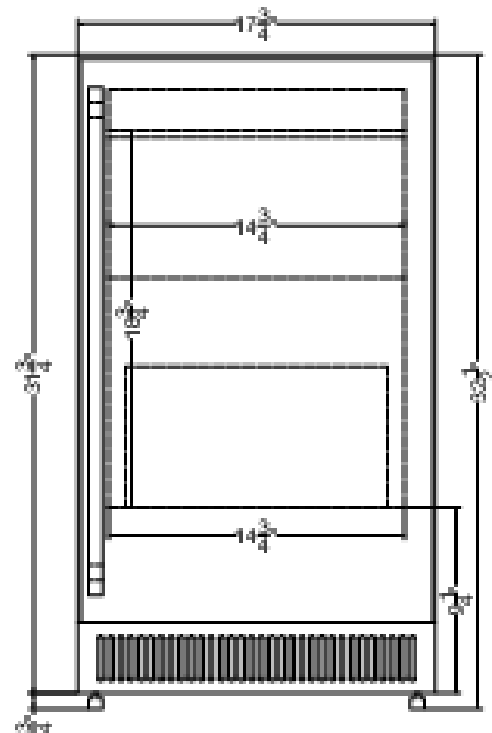


## BIM182OSADALHD Specifications:

Overview	
Height of Cabinet	32.5" (83 cm)
Width	17.75" (45 cm)
Depth	23.75" (60 cm)
Depth with Handle	25.25" (64 cm)
Depth with door at 90°	41.0" (104 cm)
Defrost Type	Automatic
Door	Stainless Steel
Cabinet	Stainless Steel
US Electrical Safety	ETL
Canadian Electrical Safety	ETL-C
Amps	11.8
Voltage/Frequency	115 V AC/60 Hz
Parts & Labor Warranty	1 Year
Compressor Warranty	5 Years
UPC	761101150604
Icemaker	
Door Swing	LHD
Height Adjustable	Yes
Drain Required	Yes
Daily Ice Production	60.0 lbs. (27 kg)
Ice Storage Capacity	33.0 lbs. (15 kg)
Ice Shape	Cube
Size of Cube	.87" x .87" . 87"
Number of Ice Cube Sizes	3
Interior Light	Yes
Refrigerant Type	R290
Refrigerant Amount	1.37 oz.
High Side PSI	330.0
Low Side PSI	160.0
Interior Height	18.75" (48 cm)
Interior Width	14.75" (37 cm)
Interior Depth	16.75" (43 cm)
Level Legs	4



Top View



Front View