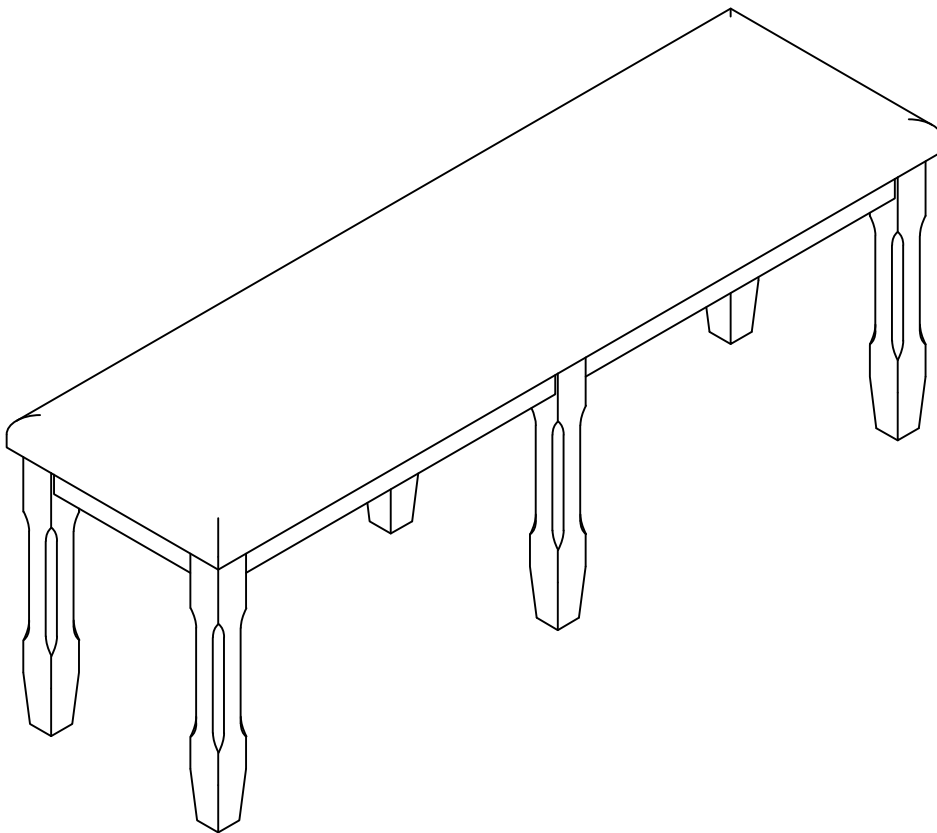


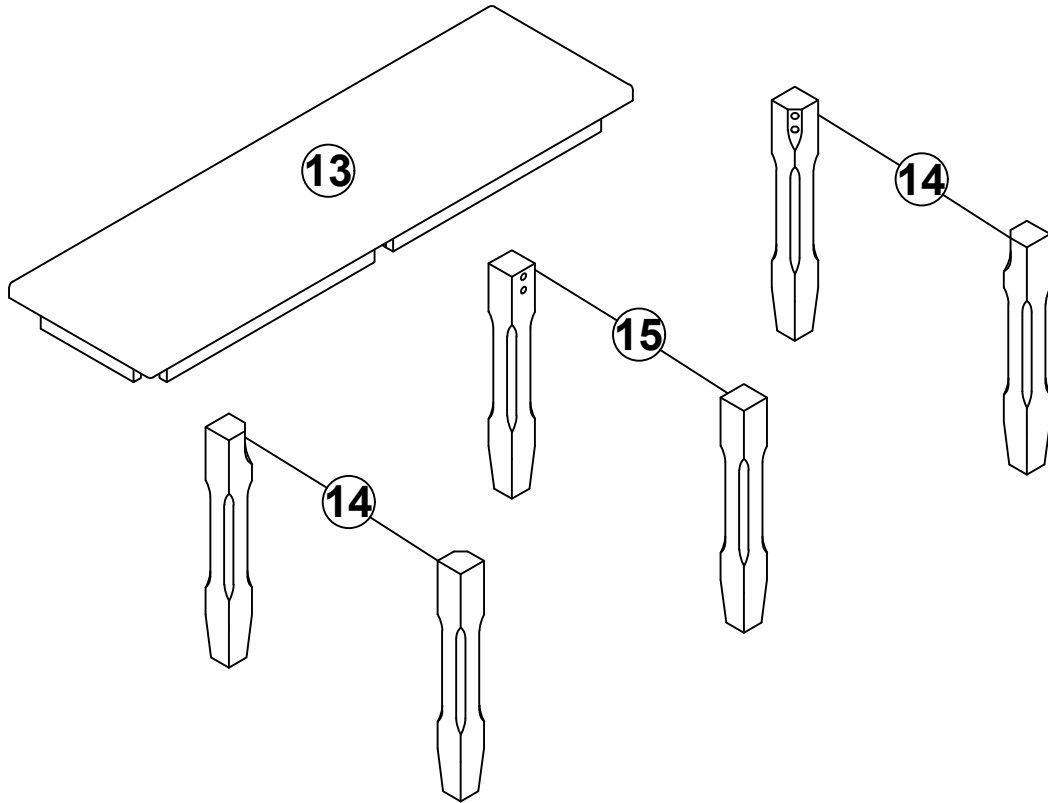
ASSEMBLY INSTRUCTIONS




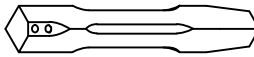


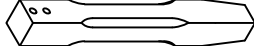


DINING BENCH



IMPORTANT NOTE :

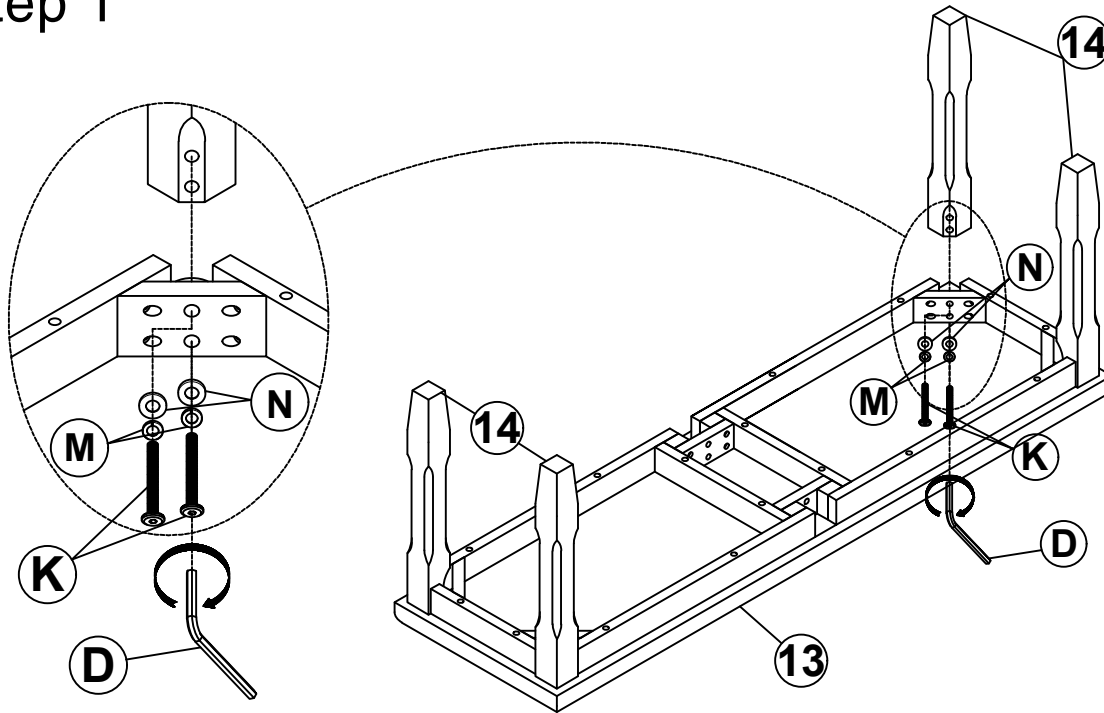
- ① PLACE ALL PARTS ON A CLEAN AND SMOOTH SURFACE SUCH AS A RUG OR CARPET TO AVOID THE PARTS FROM BEING SCRATCHED.
- ② BEFORE YOU BEGIN , KINDLY FOLLOW THE ASSEMBLY INSTRUCTIONS STEP BY STEP.
- ③ DO NOT TIGHTEN ALL SCREWS AND BOLTS UNTIL THE BENCH IS FULLY SET-UP







Part List For One Bench	Hardware List For One Bench
<p>13</p>  <p>SEAT BENCH (1pc)</p>	<p>D</p>  <p>4mm ALLENKEY (1pc)</p> <p>K</p>  <p>Ø5/16" x 55mm BOLT (8pcs)</p>
<p>14</p>  <p>LEGS BENCH (4pcs)</p>	<p>L</p>  <p>Ø5/16" x 45mm BOLT (4pcs)</p> <p>M</p>  <p>Ø5/16" x 13mm SPRING WASHER (12pcs)</p>
<p>15</p>  <p>CENTER LEGS BENCH (2pcs)</p>	<p>N</p>  <p>Ø5/16" x 19mm FLAT WASHER (12pcs)</p> <p>O</p>  <p>ADJUSTABLE FEET (2pcs)</p>

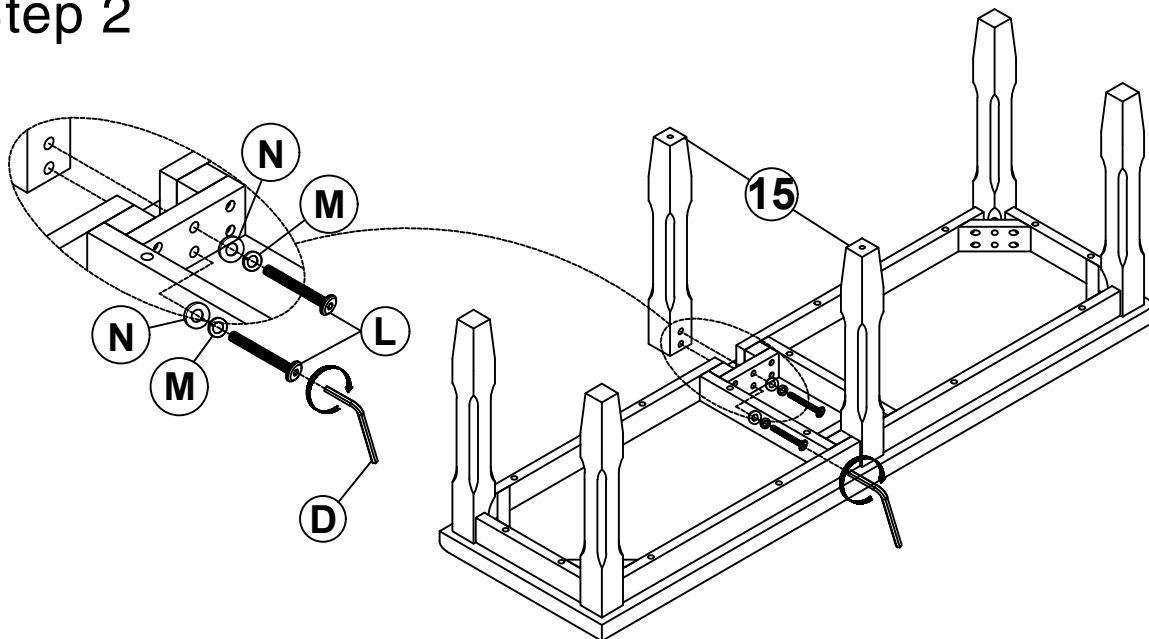
ASSEMBLY INSTRUCTIONS





Step 1



K	5/16x55		8PCS	M	5/16x13		8PCS
D	4x58		1PC	N	5/16x19		8PCS

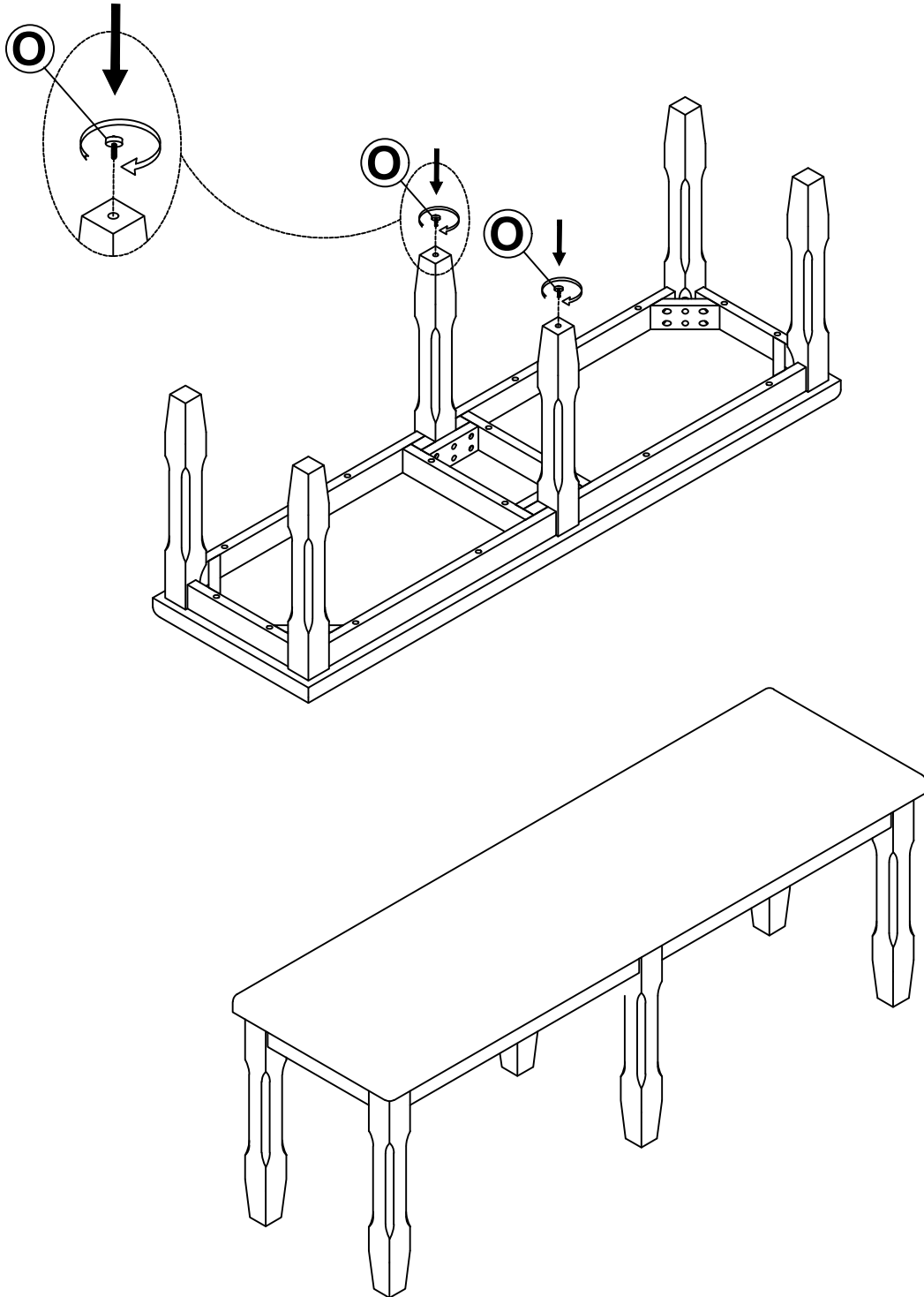
Step 2



L	5/16x45		4PCS	M	5/16x13		4PCS
D	4x58		1PC	N	5/16x19		4PCS

ASSEMBLY INSTRUCTIONS

Step 3



O

1/4x25



2PCS