

Features

- Slotted overflow for maximum bathing depth
- Integral lumbar support
- Molded armrests for extra comfort
- Intuitive high-clarity color touch-screen user interface
- 6 transducers and control amplifier create surround sound experience that gently massages the body
- User interface mounting plate is included in color CP
- Includes 25 feet of wiring and an amplifier
- Textured Bottom Surface
- Two-piece design
- 61-3/4" (1568 mm) x 31-3/4" (806mm) x 22" (559 mm)
- End Drain Placement
- Requires 120V electrical service

Material

- Exocrylic™

Hydrotherapy

- VibrAcoustic®

Installation

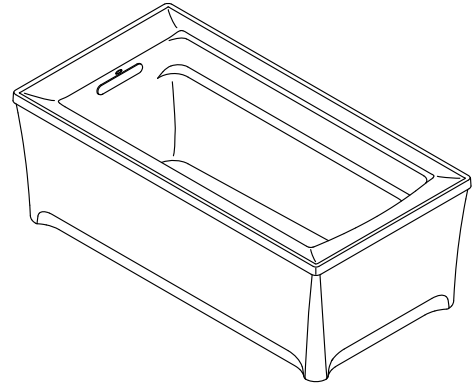
- Freestanding Bath
- Requires K-7271 or K-7272 Clearflo slotted overflow bath drain (sold separately).

Required Accessories

K-7271 Slotted Overflow Bath Drain

or

K-7272 Slotted Overflow Bath Drain








Codes/Standards

CSA B45.5/IAPMO Z124
UL 1795
CSA C22.2 No. 218.2
CARB P2

See website for detailed warranty information.

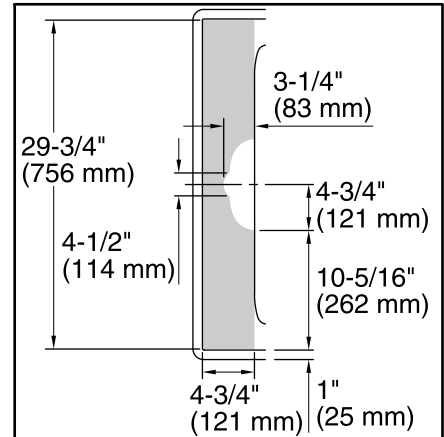
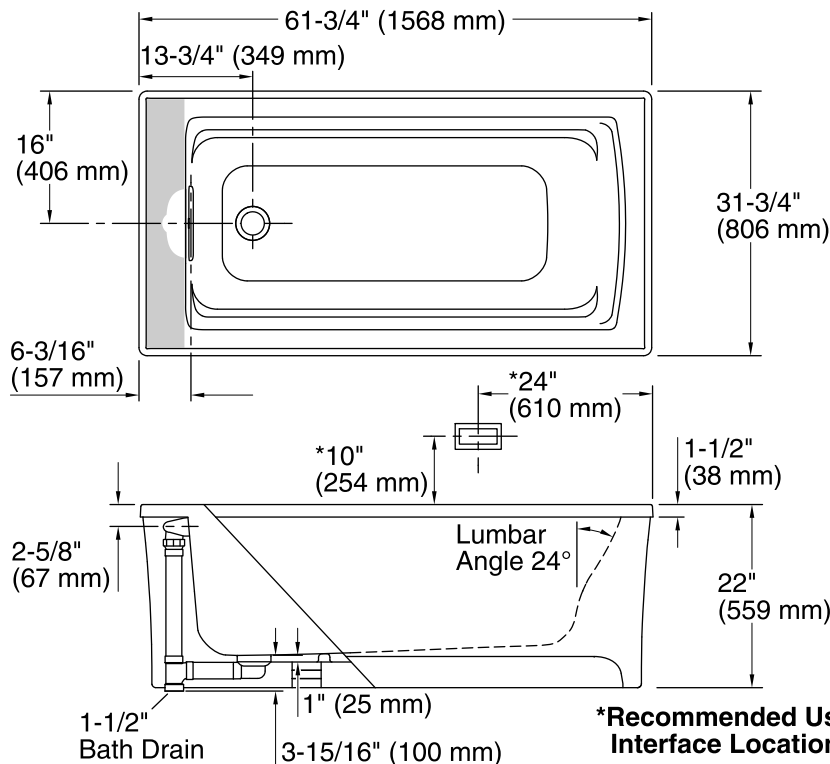
Available Color/Finishes

Color tiles intended for reference only.

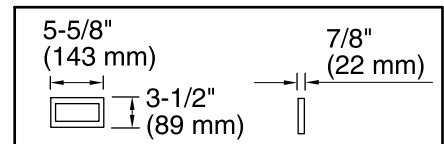
Color	Code	Description
	0	White
	96	Biscuit
	47	Almond
	NY	Dune
	G9	Sandbar

No change in measurements if connected with drain illustrated. (K-7272)

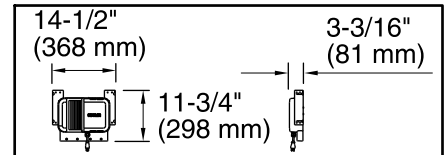
█ Recommended faucet area.



Recommended Faucet Area Detail



User Interface



Control Amplifier

Required Electrical Service

One dedicated circuit required, protected with Class A Ground-Fault Circuit-Interrupter (GFCI) or Residual Current Device (RCD).

Amplifier: 120 V, 15 A, 60 Hz, 300 W

Technical Information

All product dimensions are nominal.

Installation:	Freestanding
Drain location:	Reversible
Basin area, bottom:	45-1/8" x 19-11/16" (1147 mm x 500 mm)
Basin area, top:	52-3/4" x 25-5/16" (1339 mm x 643 mm)
Weight:	90 lbs (40.8 kg)
Minimum floor load:	43.5 lbs/ft ² (212.4 kg/m ²)
Water depth:	15-1/16" (383 mm)
Water capacity:	58 gal (219.6 L)
Electrical rating:	Amplifier: 120 V, 15 A, 60 Hz, 15 W
Pump speed:	Variable

Notes

Measure your actual product for roughing-in details.

Install this product in accordance with the installation instructions.

Locate the bath within 24" (610 mm) of a GFCI-protected 120 V, 15 A grounded electrical outlet. Provide a separate grounded outlet if connecting to a powered wireless device or adapter. One electrical service may be used for the entire bath and related electrical components.

Control amplifier fits 16" (406 mm) center studs. 25' (7.6 m) cables are included.

NOTICE: Do not support the load weight of the bath by the rim.

NOTICE: Confirm adequate support for rim-mount faucet. Using faucets as a means of support are not appropriate or safe for this installation.

The hot water supply should be 70% of the capacity of the bath or greater. Installations will vary.