

USER'S MANUAL

Table of Contents

Thank you for purchasing our Adjustable Bed Base. Please read this manual carefully before use, especially the safety section. Please keep this manual after reading and refer to it whenever necessary.

Disclaimer and Precautions	01
Product Display	02
Parts List	02
Installation Instructions	03-05
Remote Control Instructions	06
Function	07
Tips	08
Warranty and After-sales Service	09
Product Information	10
Troubleshooting	10

The product technology is continuously improved, and changes may occur without further notice. Please refer to the actual product for details.

Disclaimer and Precautions

Please read this manual carefully before installing and using this product, operate in accordance with the relevant content of this manual, and keep the manual properly.

1. Connect the adjustable bed base to the wall power correctly

Connect your adjustable bed base to the wall power correctly. It is recommended to use a current protector (not provided with your adjustable bed base). The adjustable bed base should be connected to the wall power. Incorrect power connection may cause electric shock or fire, etc.,

Damage to motors and appliances caused by incorrect power connection will not be covered by the warranty.

2. Avoid electric shock

In the process of using this product, please do not open or disassemble any parts of your adjustable bed base without authorization. Make sure the AC power cord is unplugged before repairing or cleaning your adjustable bed base to avoid electric shock.

3. Make sure that the AC power cord is always kept away from any flammable and high-temperature objects

4. Reduce risk of injury

During the operation, please ensure that your body is placed in a safe range to prevent injuries.

Please dispose of the packaging in time.

To avoid injury, do not allow any person or pet under the adjustable bed base at any time.

Place the remote control out of reach of children.

When children use the adjustable bed base, they must be accompanied by adult.

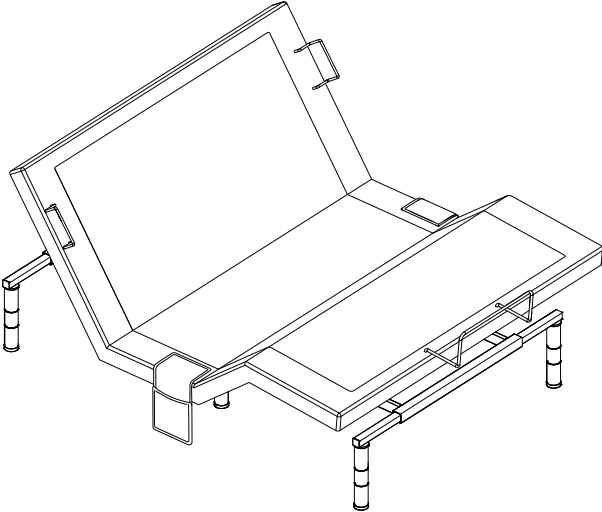
5. Use accessories correctly

Please refer to this manual for the correct use of accessories, use the accessories provided or approved, otherwise the damage caused by this will not be covered by the warranty.


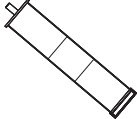
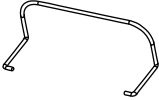
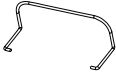
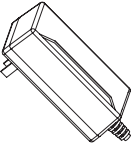
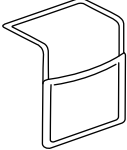
6. Warranty warnings

Tampering with or opening the control box, motors, or remote control(with the exception of replacing batteries) will void the warranty. For detailed warranty regulations, please refer to the warranty card.

Product Display



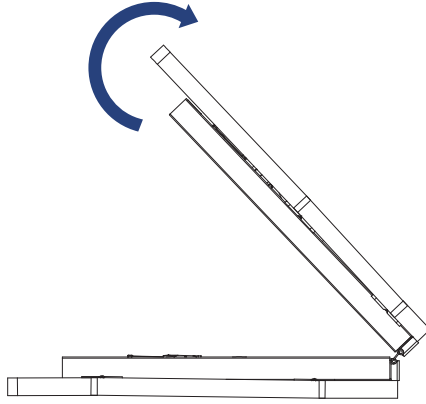
Parts List

Remote Control	Leg	Retainer Bar	Retainer Bar
 <p>×1pcs</p>	 <p>×6pcs</p>	 <p>×1pcs</p>	 <p>×2pcs</p>
AC Power Cord		Multi-Function Cloth Bag	
 <p>×1pcs</p>		 <p>×2pcs</p>	

Installation Instructions

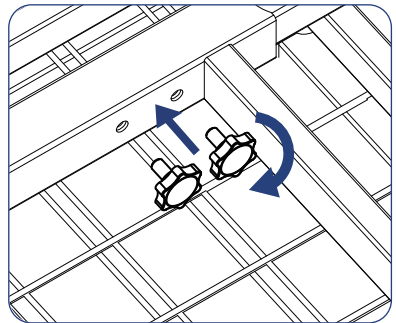
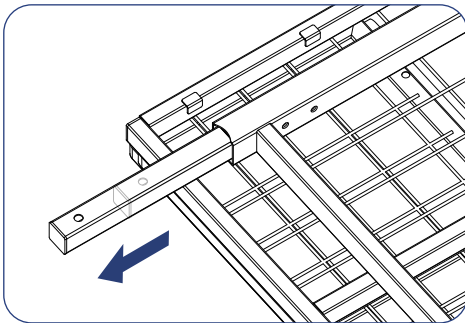
* The installation process requires two people to cooperate.

1. Open the package, the upper side is the foot end, unfold in the direction shown in the picture.

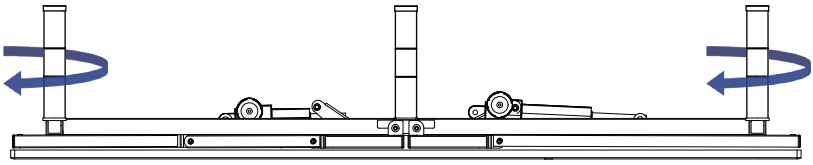


2. Cut the cable ties, take out retainer bar and accessory box from the packaging, count all the accessories.

3. Carefully disengage the bed frame legs and tighten the fixing screws by rotating them clockwise.

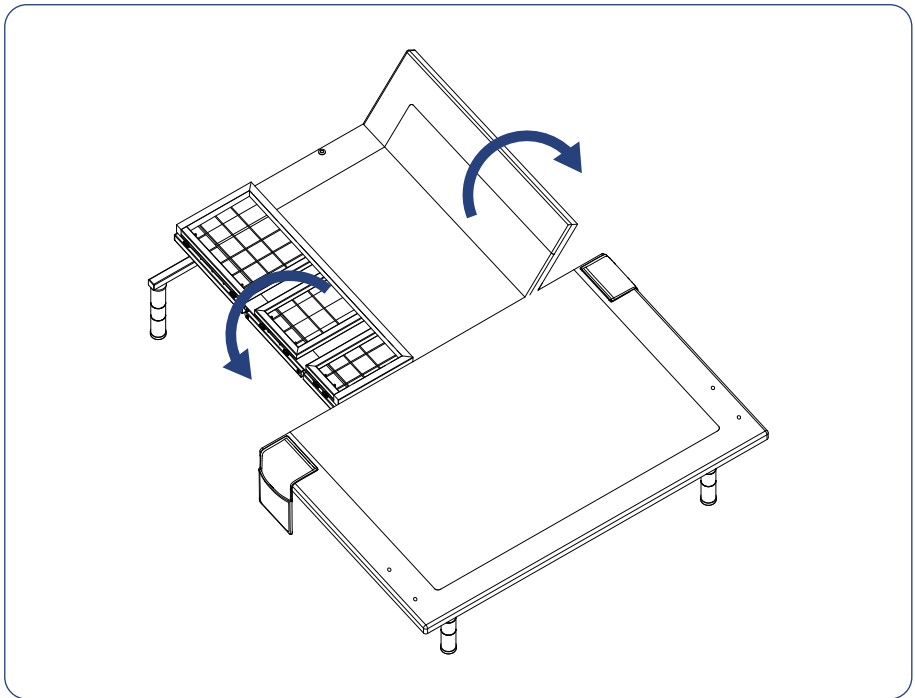


4. Take out the 4 bed legs (the other 2 legs are pre-installed at the factory) and tighten all legs by rotating clockwise.

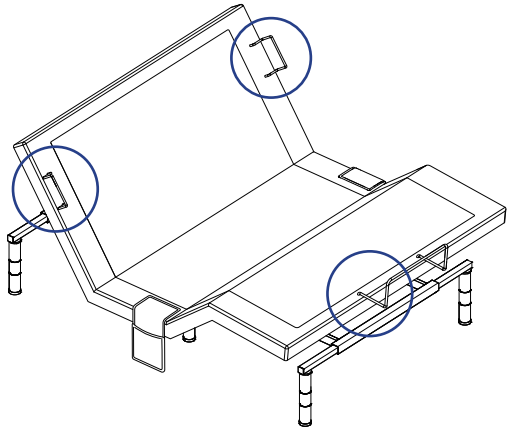
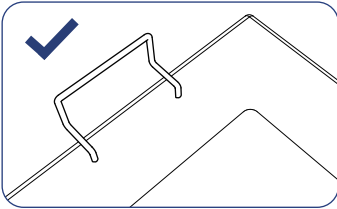
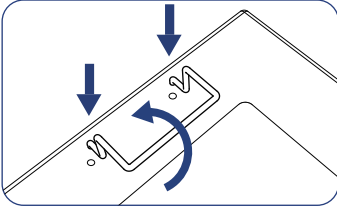


5. Stabilize the bed surface and the bed frame, then flip the bed over. Slowly and firmly unfold the folded bed surface.

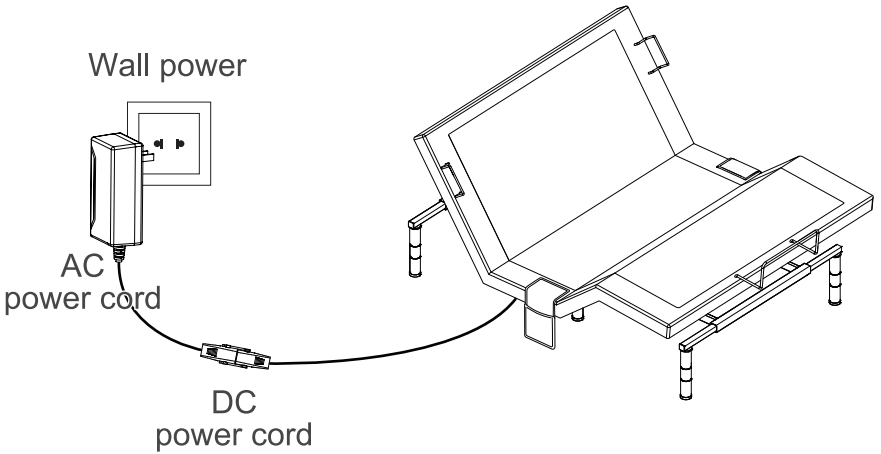
(Note: The folded surface is secured with tight screws. Apply sufficient force to unfold it, preventing sudden drops that may trap fingers. Exercise caution during this step to avoid injury despite pre-tightened screws.)



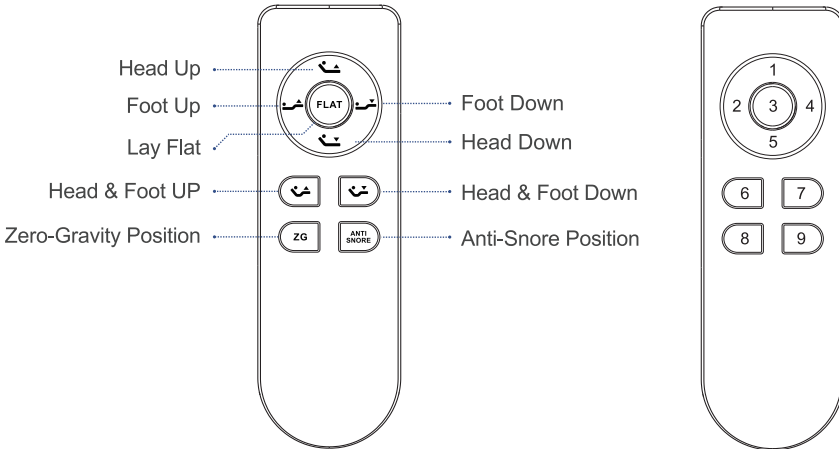
6. Install the retainer bars.



7. Connect the power supply. The bed frame can now be raised/low-ered simply by using the remote control.




Remote Control Instructions



<p>Pairing Method 1</p>	<p>Step 1. Unplug the power cord, power on after 5s, control box indicator light turns blue, under bed light flashes (If the under bed light is installed), control box enters into pairing mode.</p> <p>Step 2. Press and hold the remote HEAD UP+HEAD DOWN button, remote backlight flashes, the remote enters into pairing mode, until remote backlight stops flashing and stays on, and control box indicator light turns green (or under bed light stops flashing and goes out), pairing is done.</p> <p>Note: When you power on again, the control box will be in pairing mode in the first 10 seconds, if you have already paired successfully before, then you don't need to pair again. After 10 seconds, control box indicator light turns green (or under bed light stops flashing and goes out), you can use remote to operate the bed directly.</p>
<p>Pairing Method 2</p>	<p>Step 1. Double click the control box pairing button, control box indicator light turns blue, under bed light flashes (If the under bed light is installed), control box enters into pairing mode.</p> <p>Step 2. Press and hold the remote HEAD UP+HEAD DOWN button, remote backlight flashes, the remote enters into pairing mode, until remote backlight stops flashing and stays on, and control box indicator light turns green (or under bed light stops flashing and goes out), pairing is done.</p>
<p>If the pairing time out, please repeat the above actions until the pairing is successful</p>	

Function

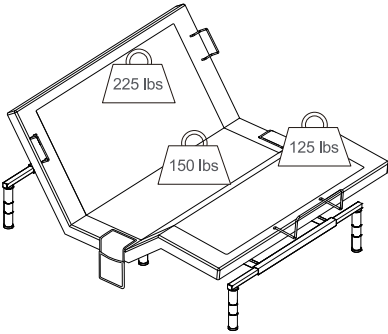
Buttons	Key value	Specification
B1:	Head Up	Press and hold B1, backrest goes up, stop when released.
B2:	Foot Up	Press and hold B2, backrest goes up, stop when released.
B3:	Flat	Click B3, the bed will be flat.
B4:	Foot Down	Press and hold B4, footrest goes down, stop when released.
B5:	Head Down	Press and hold B5, backrest goes down, stop when released.
B6:	Head & Foot UP	Press and hold B6, backrest and footrest go up, stop when released.
B7:	Head & Foot Down	Press and hold B7, backrest and footrest go down, stop when released.
B8:	ZG	Click B8, the bed moves to B8 position.
B9:	Anti-Snore	Click B9, the bed moves to B9 position.
Factory Reset	FLAT + ZG	Press and hold B3 + B8 for 5s, until the backlight flashes, memory positions of control box will be reset to default settings.
Set New Memory Position (Except Flat)	Press and hold the corresponding memory button for 5s	Move bed to your favourite position, press and hold the corresponding memory button for 5s, until the backlight flashes, the remote sets the current position as a new memory position.
Other Functions	Any Button	During the automatic movement of bed (Click memory position buttons or flat button, bed moves to memory position or flat position), press any button, the bed movement will stop.
Child Lock Function	Head Up + ZG	<ol style="list-style-type: none"> 1. Press and hold B1 + B8 for 5 seconds until the backlight flashes. The remote control enters child lock mode. 2. In child lock mode, pressing any button will make the backlight flash, but the control box will not respond, and the motor will remain inactive. 3. To exit the child lock mode, press and hold B1 + B8 again for 5 seconds until the backlight flashes, and the remote control will exit the lock mode.
	Control box pairing button	<ol style="list-style-type: none"> 1. Pairing. 2. Press and hold this button, the bed will be flat. 3. When the control box is in pairing mode, click this button, the control box exits the pairing mode.

Tips

Do not place objects exceeding 1000 pounds on the adjustable bed base when it is lying flat and stationary. When the bed is being raised, the weight limit is 500 pounds. Avoid pushing the head or pulling the foot of the bed with excessive force once the adjustable bed base is raised.



500 lbs (lifting)



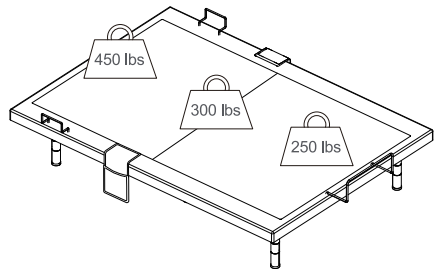
225 lbs

150 lbs

125 lbs

Head position - Middle position - Foot position

1000 lbs (lying flat)



450 lbs

300 lbs

250 lbs

Head position - Middle position - Foot position

Warranty and After-sales Service

We only provides warranty coverage for cases where the purchaser's adjustable bed base exhibits defects resulting from faulty workmanship or materials (excluding accessories). In such instances, the purchaser can reach out to the store from which the adjustable bed base

was acquired, and must furnish the original purchase receipt along with the purchase date. Furthermore, this request for warranty service must fall within the specified warranty period.

Limited Warranty

Within 2 years from the date of installation, we will provide free replacement of any damaged parts, with us covering a portion of the material and shipping costs.

Permanent repair

From the 3rd to the 6th year, we offer repair or replacement services for any damage to the power base. Customers are responsible for covering the costs of materials, accessories, and shipping.

Please note that the warranty does not cover any damage caused by improper storage by the purchaser or a third party. To avail of our basic power supply warranty, the purchaser must present this warranty card along with the proof of purchase.

Maximum load-bearing

Our adjustable bed base has undergone rigorous testing within the recommended load-bearing range, as specified in the warranty card. However, any damage resulting from exceeding the recommended weight limit will void the warranty.

*** The maximum load-bearing capacity is 1000 lbs (including the weight of the iron frame).**

Product Information

Adjustable angle range of the back	$\leq 67^{\circ} \pm 3^{\circ}$
Adjustable angle range of the foot	$\leq 40^{\circ} \pm 3^{\circ}$
Maximum load (including mattress weight)	1000 lbs (lying flat) 500 lbs (lifting)
Appearance performance	Comply with national furniture and other related industry standards.
Mechanical performance	Comply with national furniture and other related industry standards.

Troubleshooting

Symptoms	Cause Analysis	Solutions
Legs cannot be tightened.	The screw slips, the screw does not match the screw hole.	Reaming with corresponding specifications of taps.
The iron frame is unstable and shakes.	The ground is not level and the connecting parts are loose.	Adjust the product position (or level up).
Stains on the iron frame.	Caused by warehousing or transportation.	Just wipe it with a clean towel.
Unpleasant smell.	New product is not breathable after packaging.	Ventilate and change air after unpacking.
Abnormal noise.	Loose screws, or friction between mattress and headboard.	Check and tighten the screws in each part, keep a certain gap between the mattress and the headboard.
The cloth surface is wrinkled and not neat.	Keep heavy objects on it for a long time.	Tap the surface of the cloth with your hand, flatten both sides.
Motor abnormal noise.	Interface connection error, motor installation error, motor damaged during transportation.	Check the wiring and reconnect the control box, and check the installation position of the motor according to the installation diagram.
The vibration motor overheats or stops.	Overheat protection, the motor automatically shuts down.	Wait 30 minutes, and then restart the operation. If it doesn't work, please contact customer service.