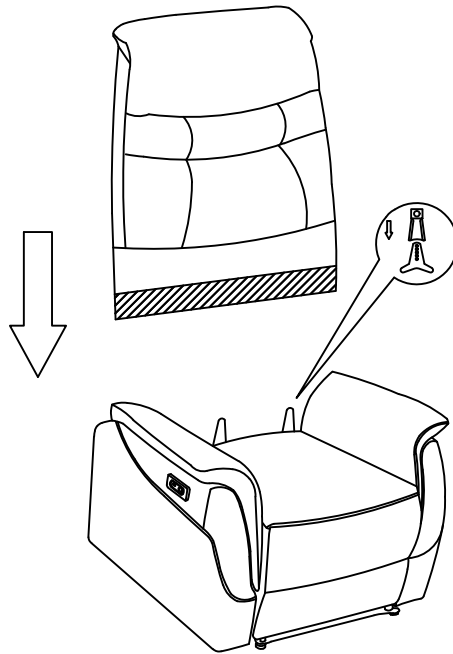


# Assembly Instructions

Step1:



Finish:

