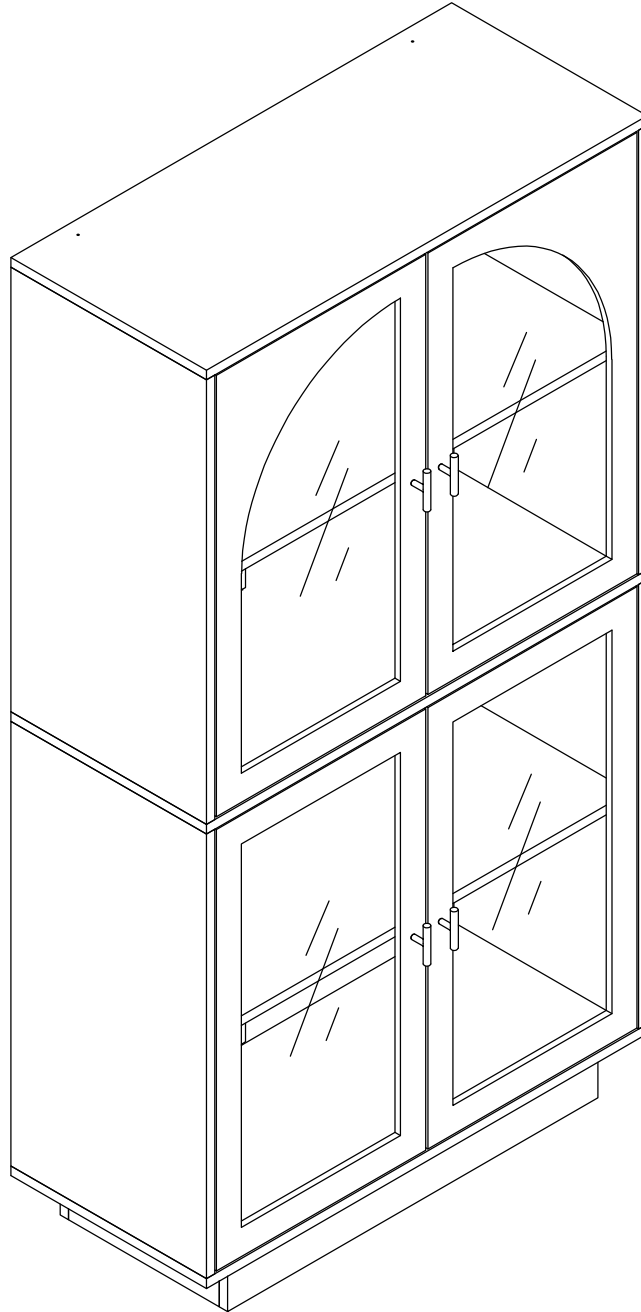


Installation Instruction



Product name

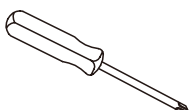
4 Door Cabinet

Ver.1.0 20240516

Assembling

What you need

- Use the packaging carton as a working surface to prevent product damage during assembly
- Phillips head screwdriver



Weight Limitation



60

lbs table top

30

lbs per shelf

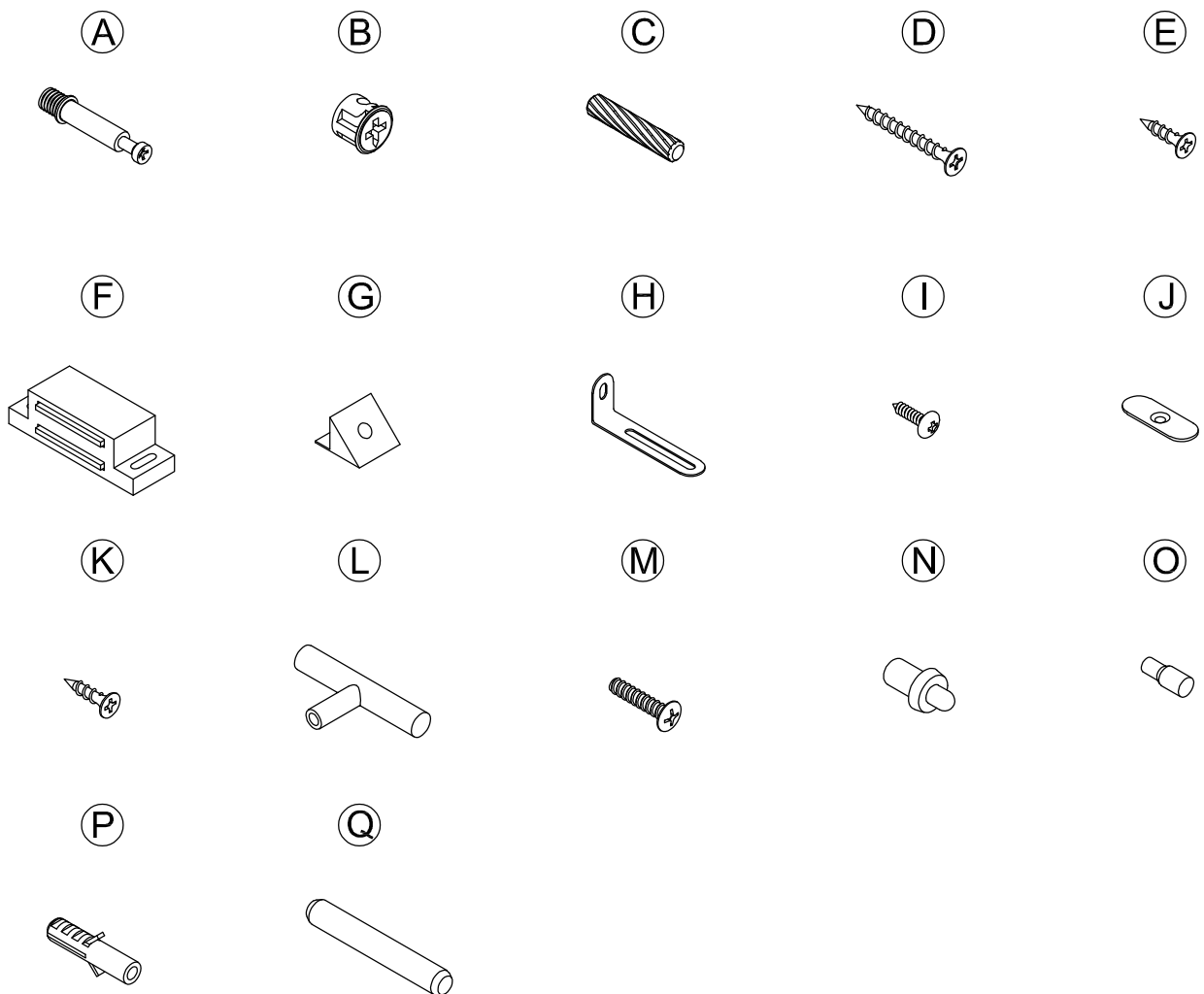


2 PERSONS

What's included

Code	Description	Qty
A	Cam Bolt M6X35MM	28
B	Cam Lock 15X10MM	28
C	Wooden Dowel M8X30MM	24
D	Screw M4X35MM	10
E	Screw M3X14MM	24
F	Magnetic Door Catcher	4
G	Plastic Corner Support	16
H	Metal Plate	2
I	Screw M4X14MM	2
J	Door Metal Plate	8
K	Screw M3X12MM	8
L	Handle	4
M	Bolt M4X18MM	4
N	Metal Pin	8
O	Metal Support	8
P	Anchor M6X30MM	2
Q	Wooden Dowel M8X50MM	4

The Hardwares



IMPORTANT:

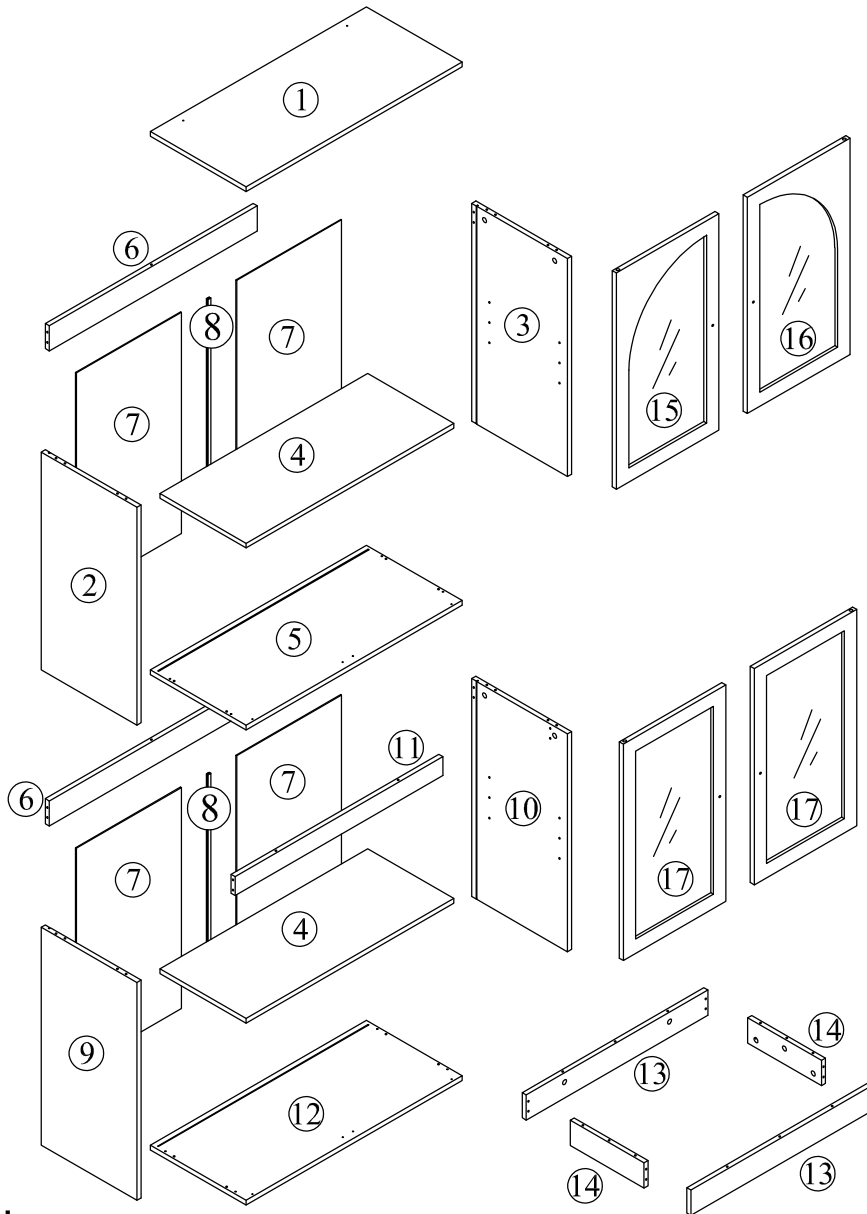
1. Do not tighten bolts / screws completely until all bolts / screws are lined up and inserted into holes.
2. Do not over tighten screws and bolts to avoid stripping.
3. Please use hand tools to assemble this product. Do not use power tools.
4. Must need 2 people to assemble this product.



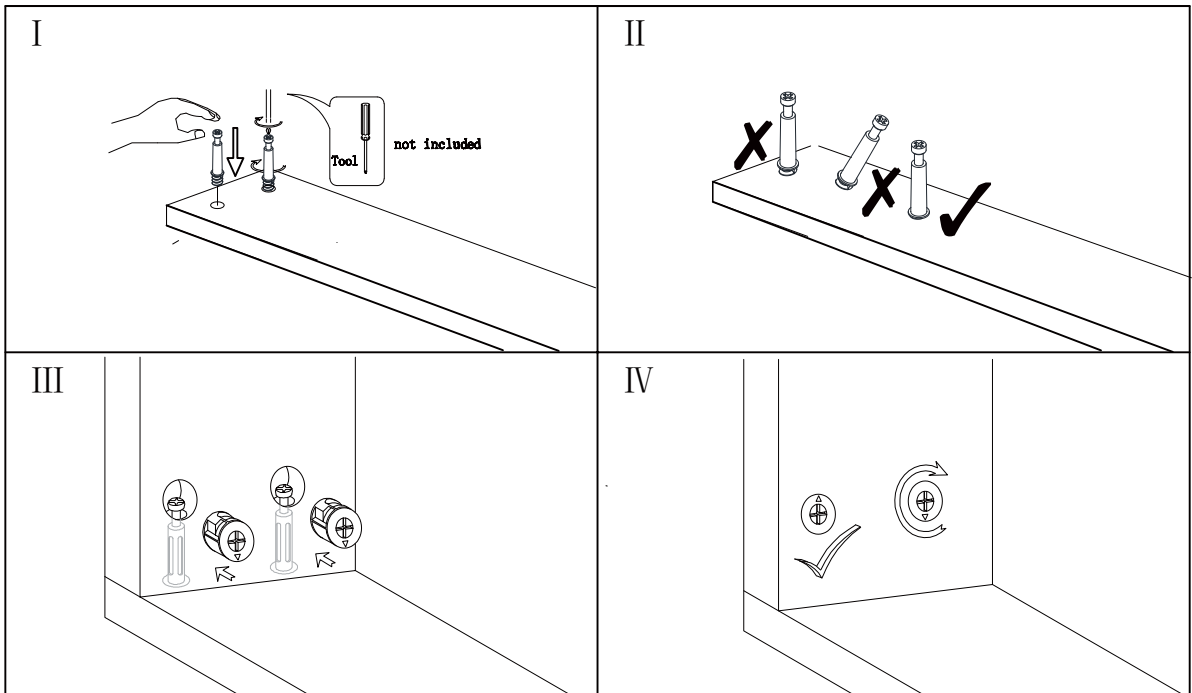
Included Accessories

Code	Description	Qty
1	Cabinet Top	1
2	Upper Left Side Panel	1
3	Upper Right Side Panel	1
4	Shelf	2
5	Upper Bottom Panel	1
6	Back Stretcher	2
7	Back Panel	4
8	Plastic Strip	2
9	Lower Left Side Panel	1
10	Lower Right Side Panel	1
11	Lower Front Stretcher	1
12	Lower Bottom Panel	1
13	Bottom Long Support Panel	2
14	Bottom Short Support Panel	2
15	Upper Left Door	1
16	Upper Right Door	1
17	Lower Door	2

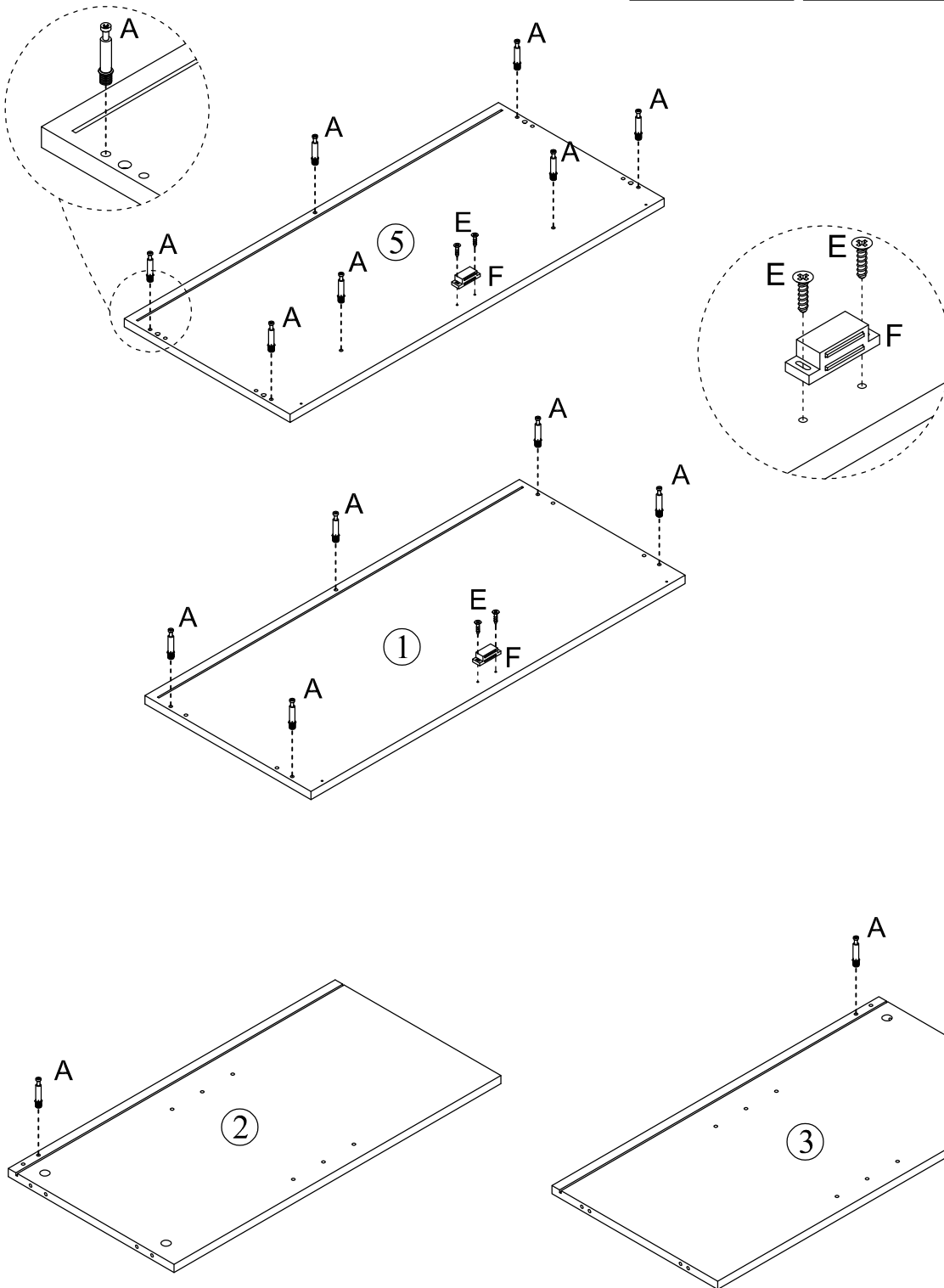
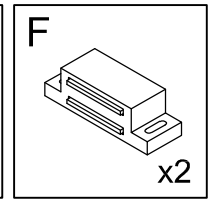
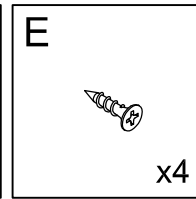
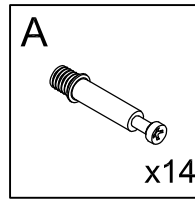
The Accessories



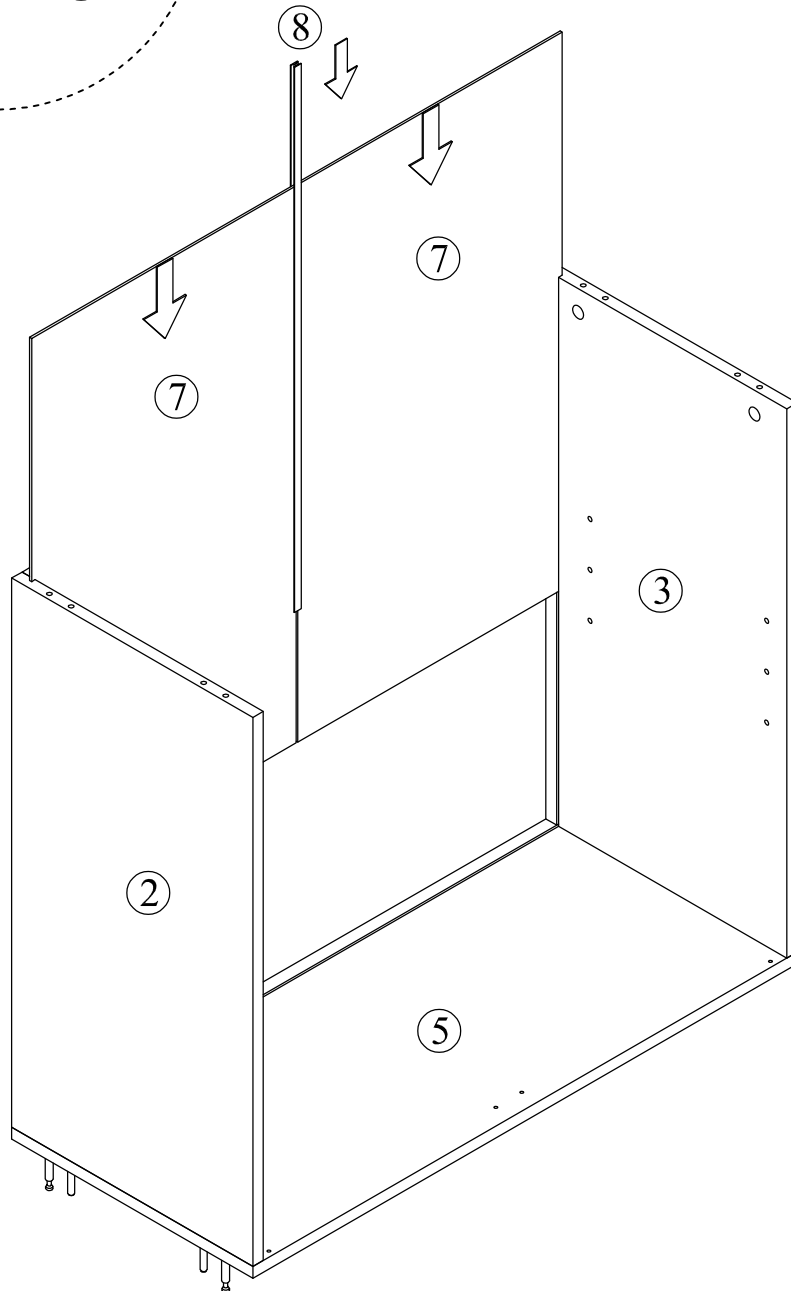
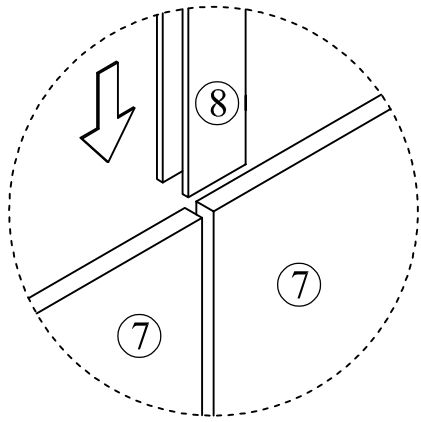
Noted :



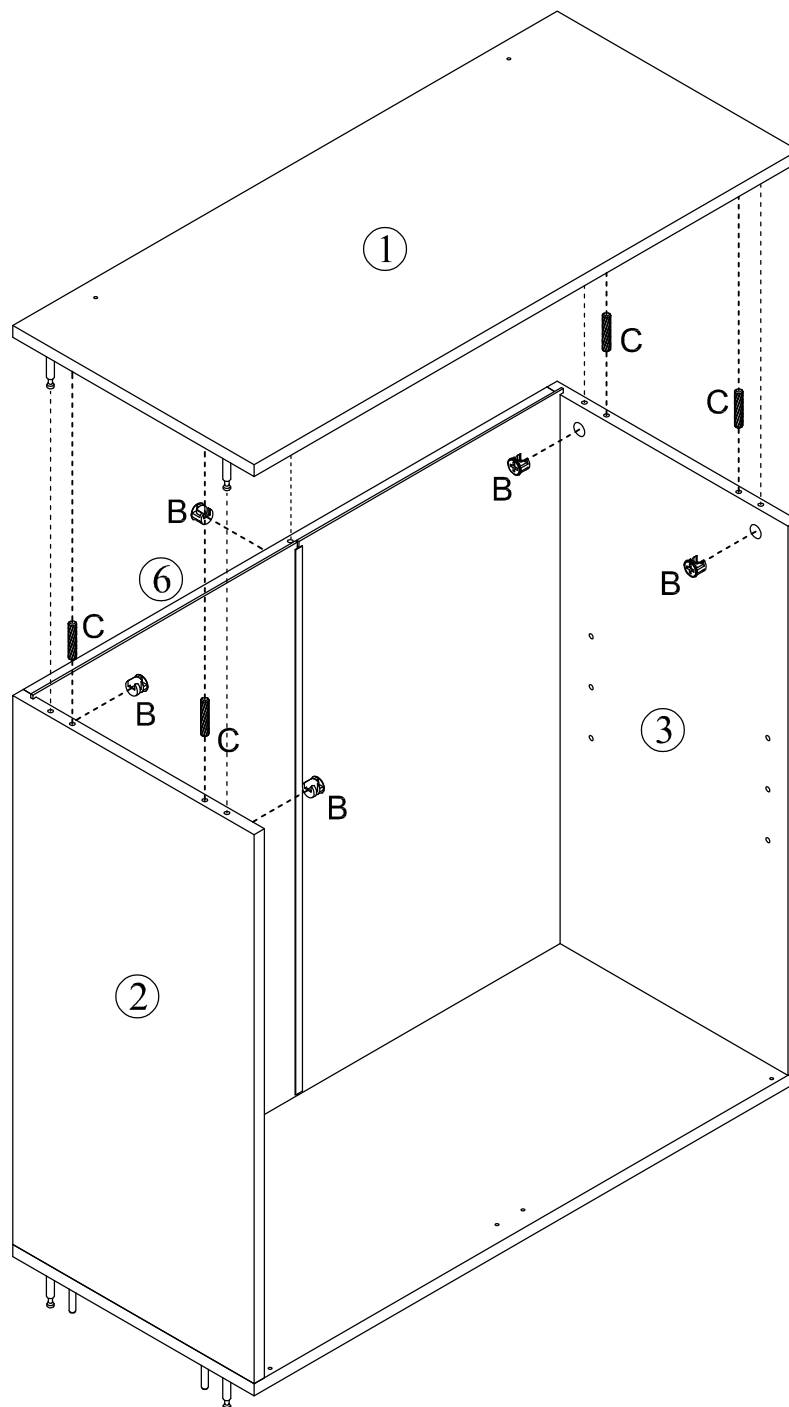
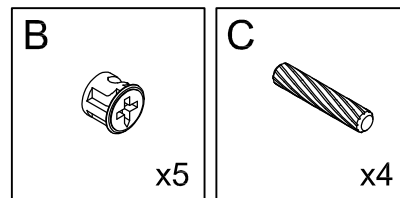
STEP 1



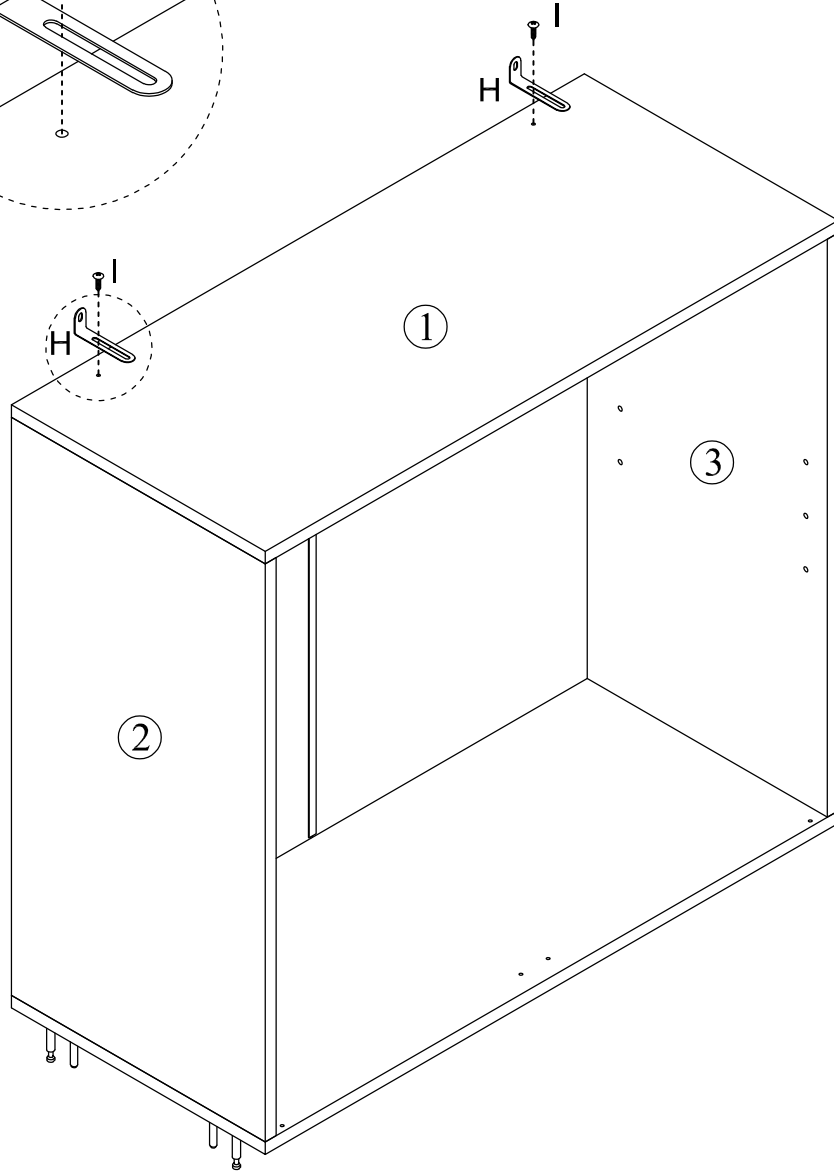
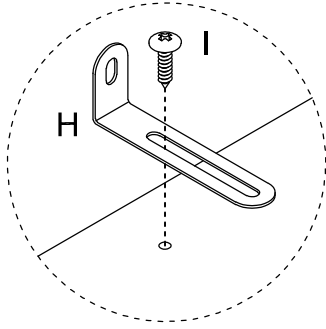
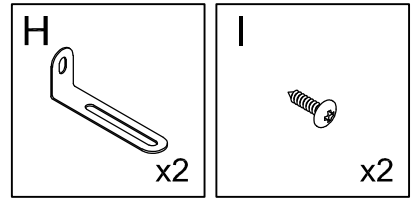
STEP 3



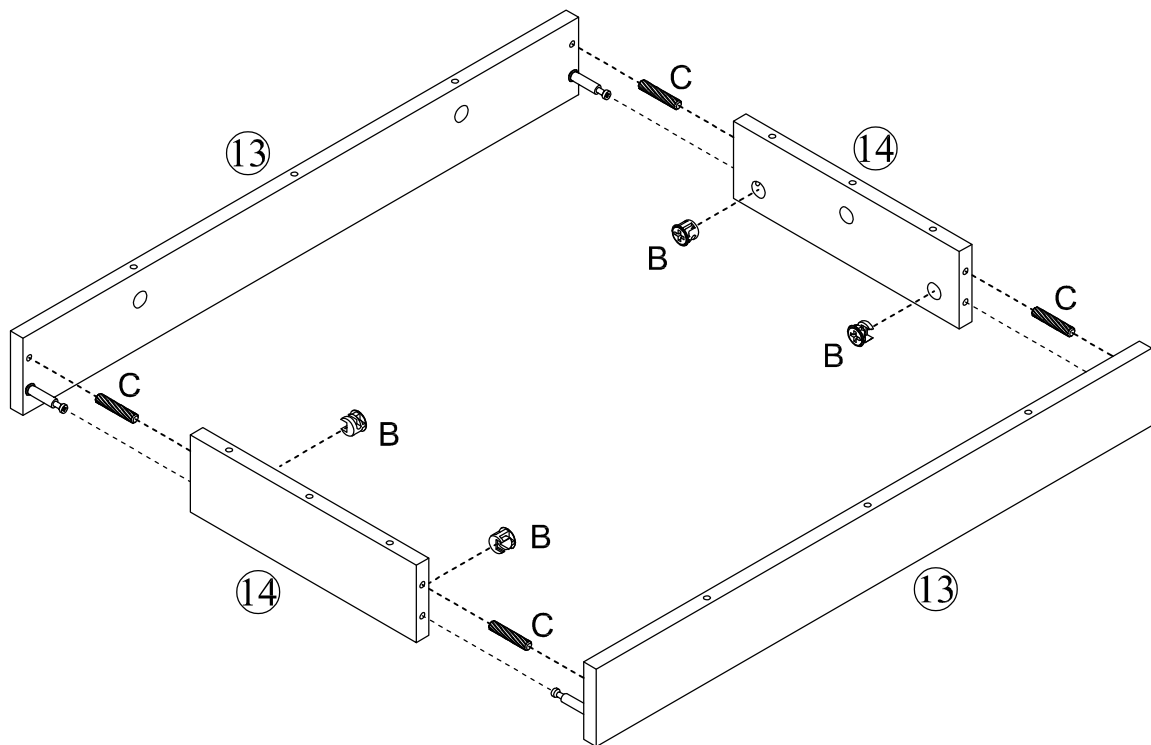
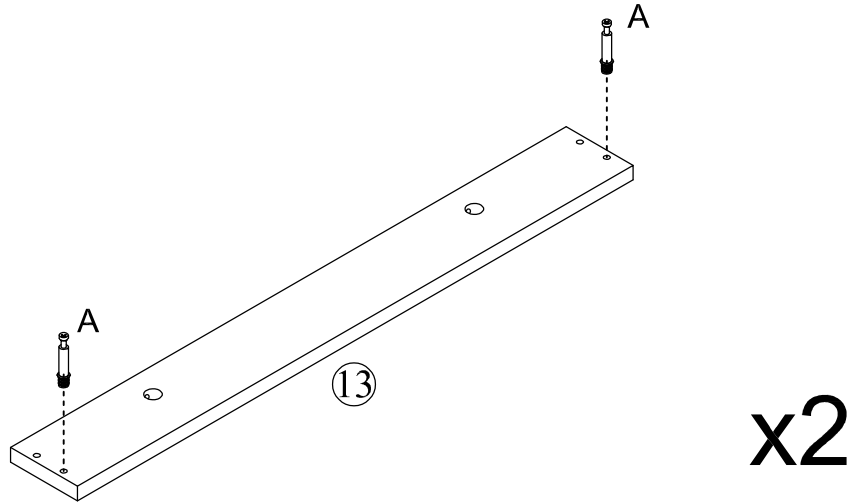
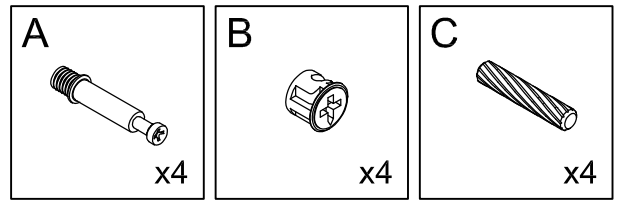
STEP 4



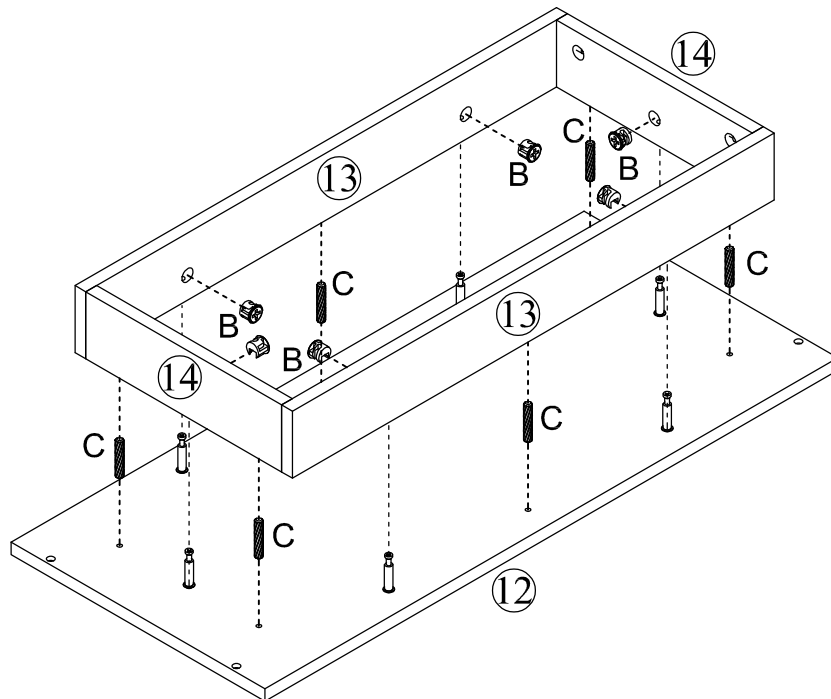
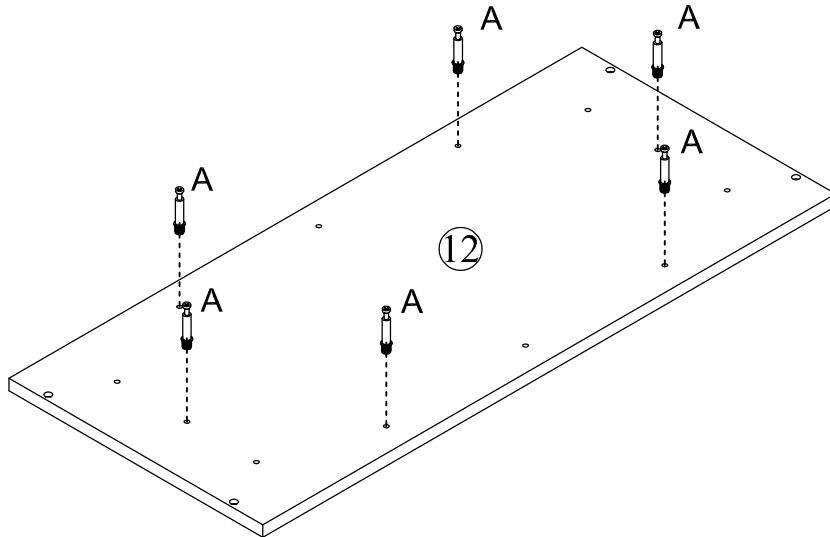
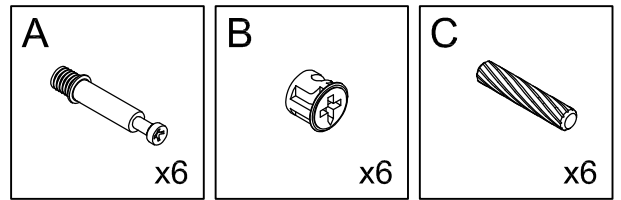
STEP 5



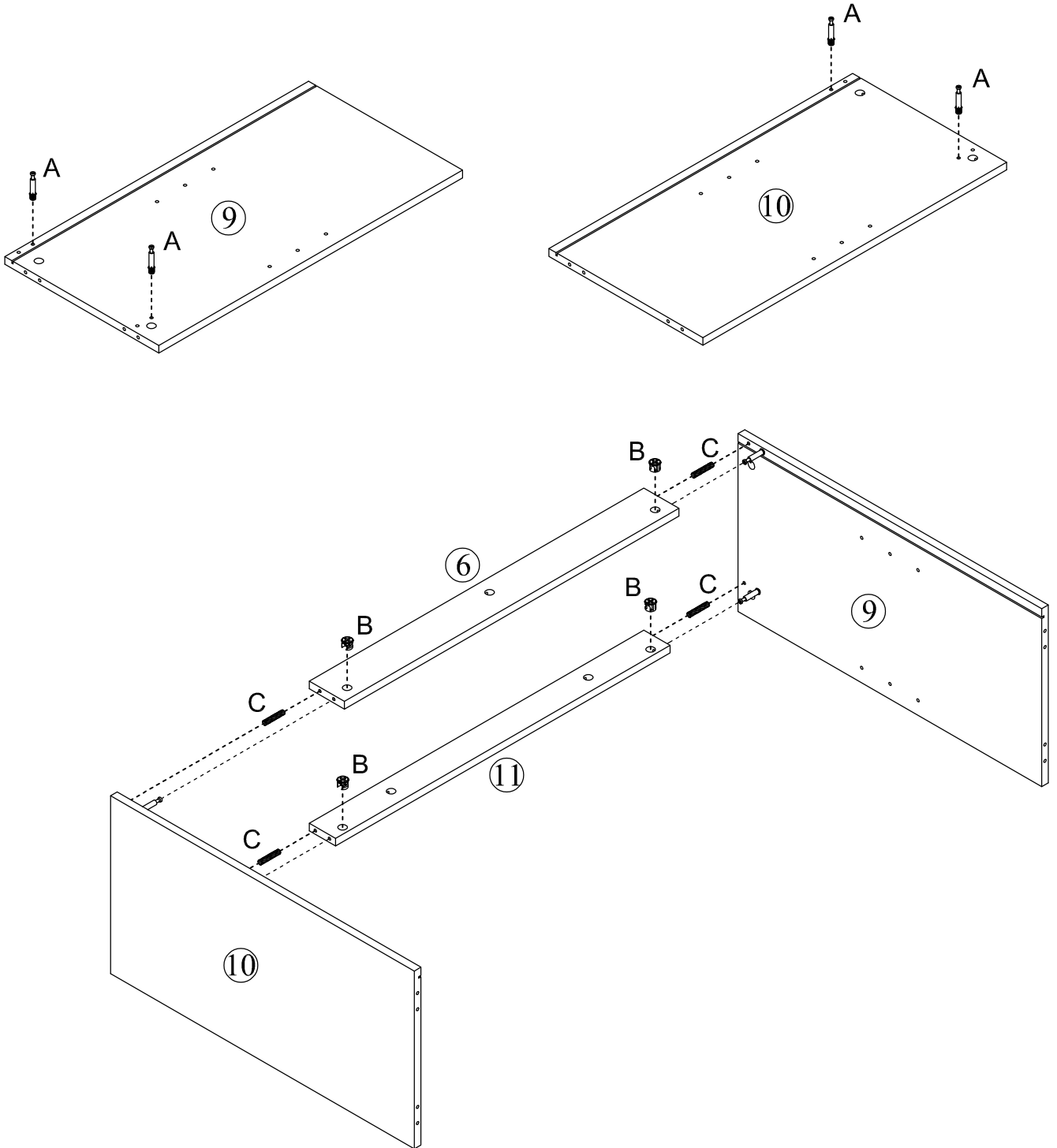
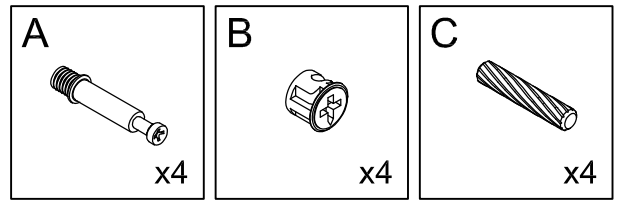
STEP 6



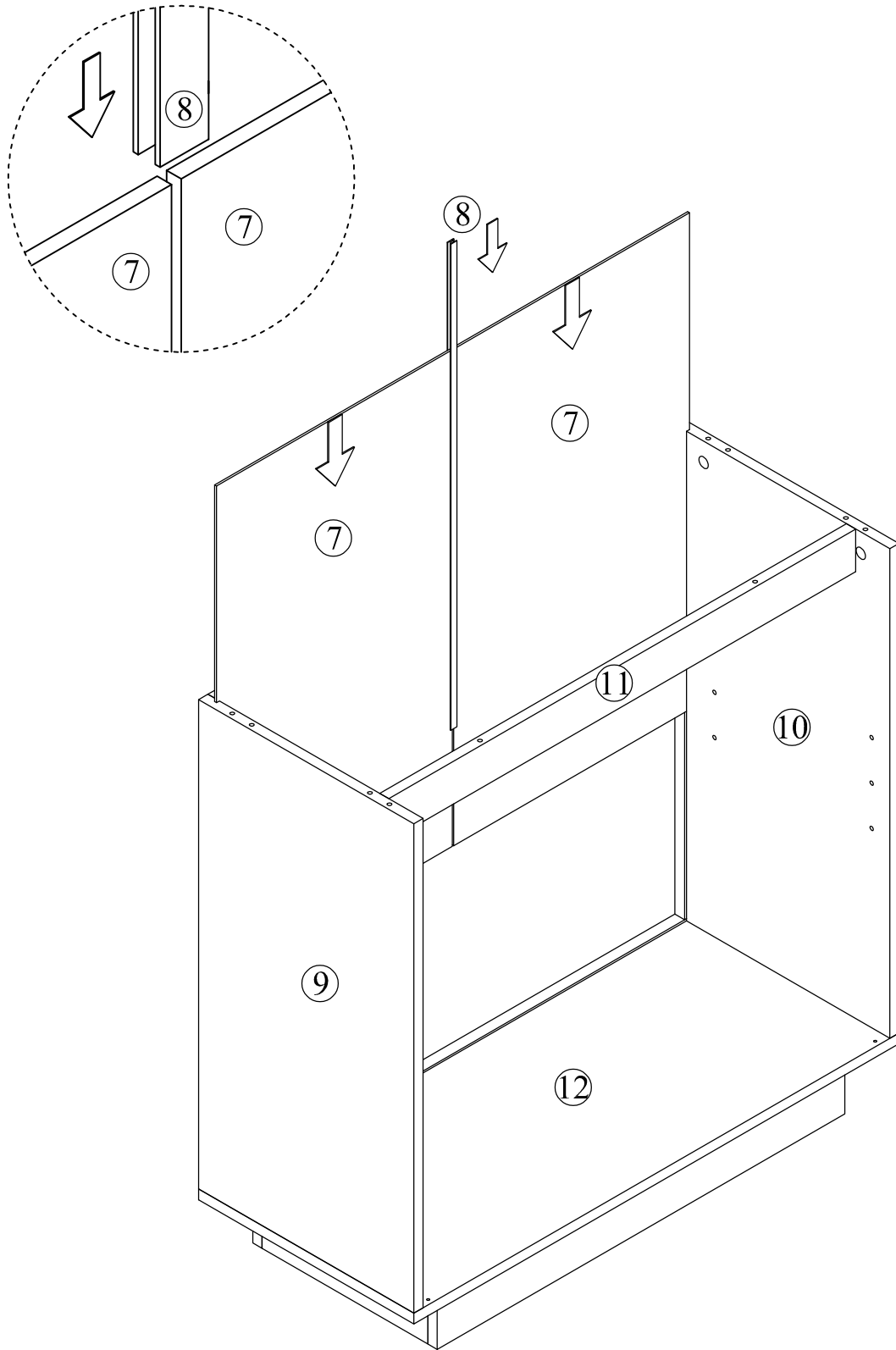
STEP 7



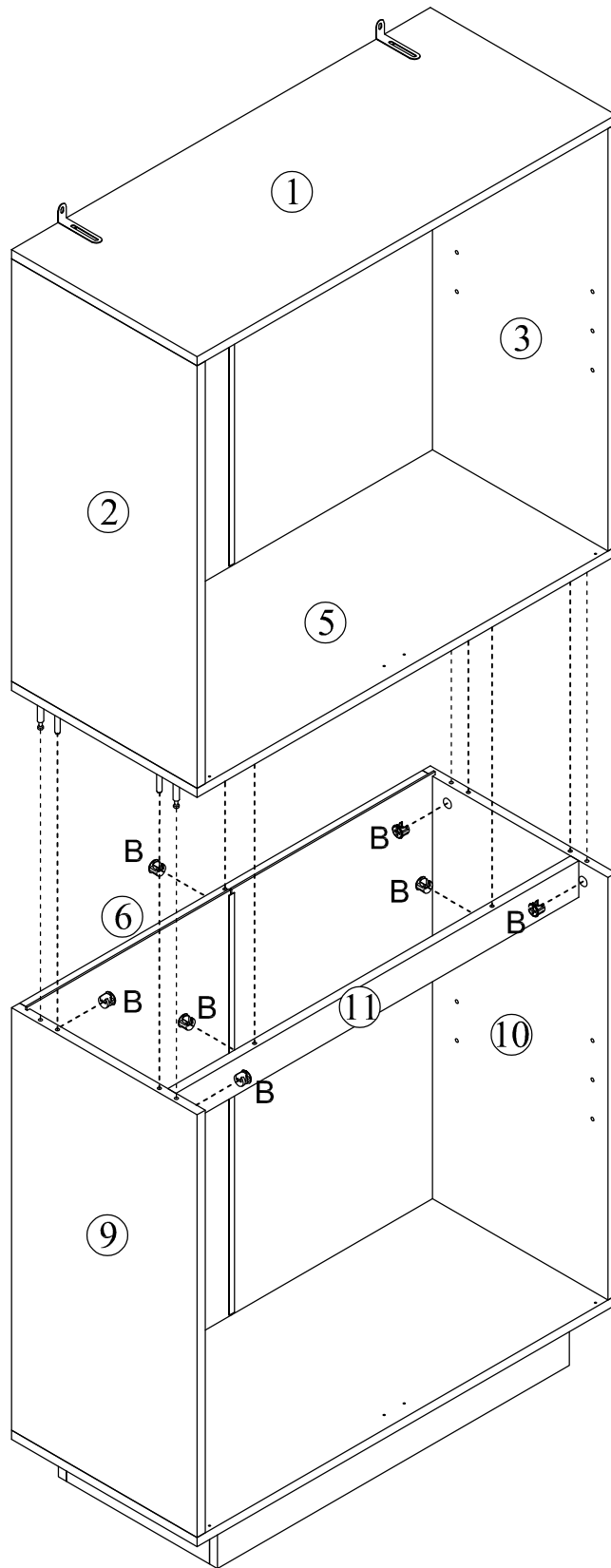
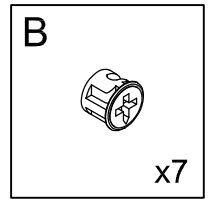
STEP 8



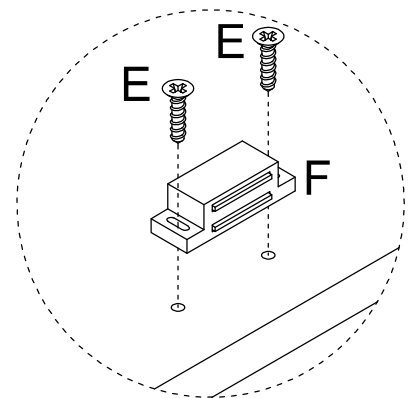
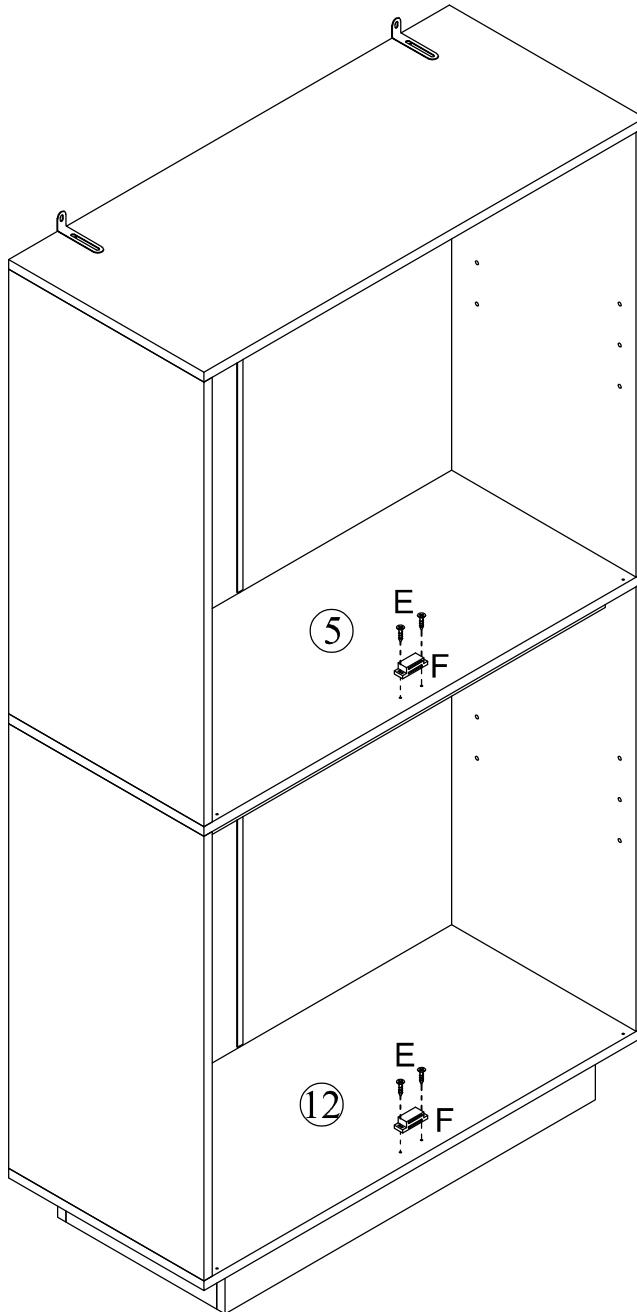
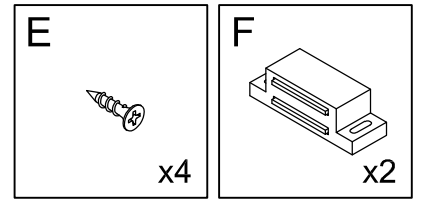
STEP 10



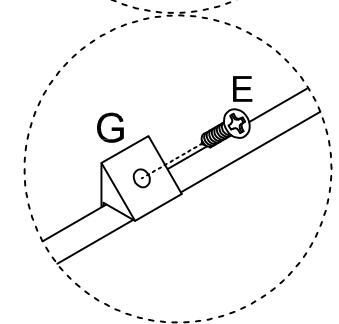
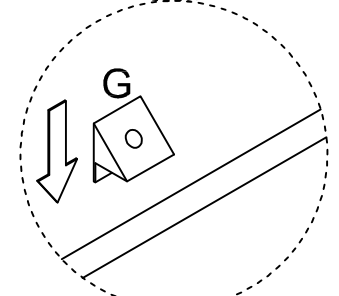
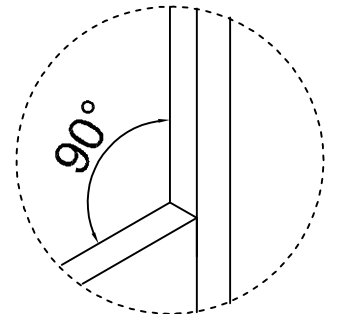
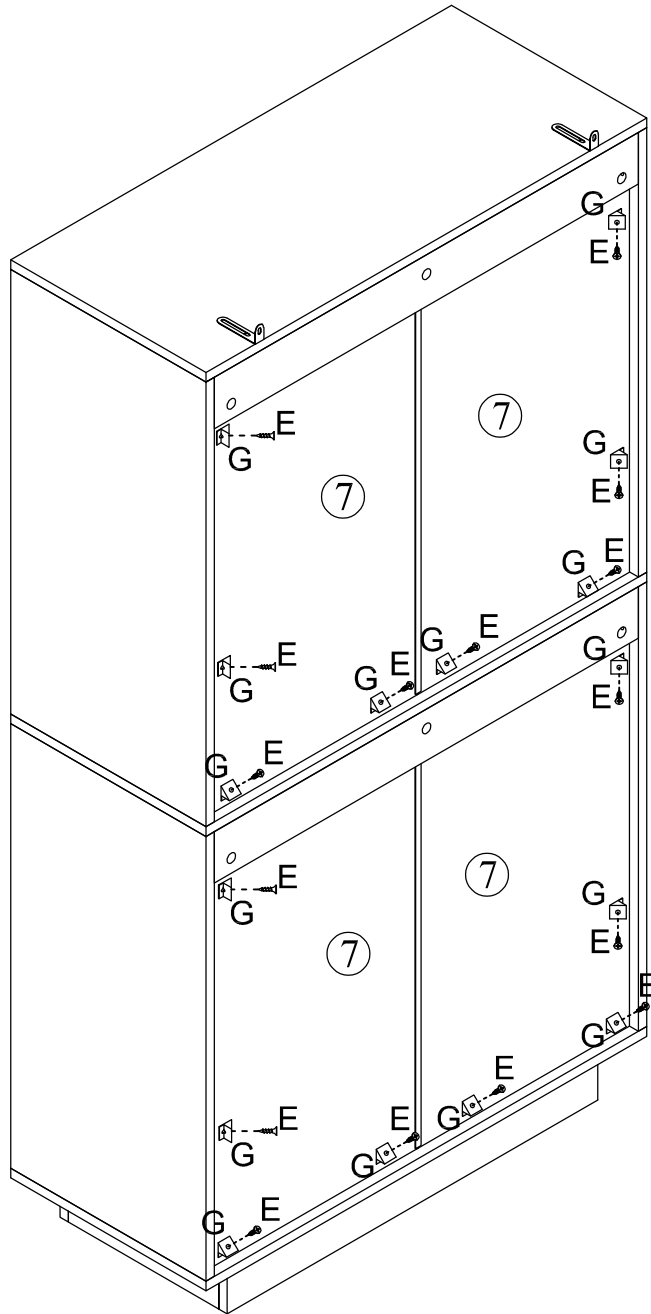
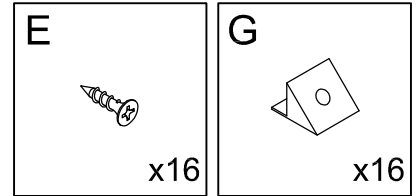
STEP 11



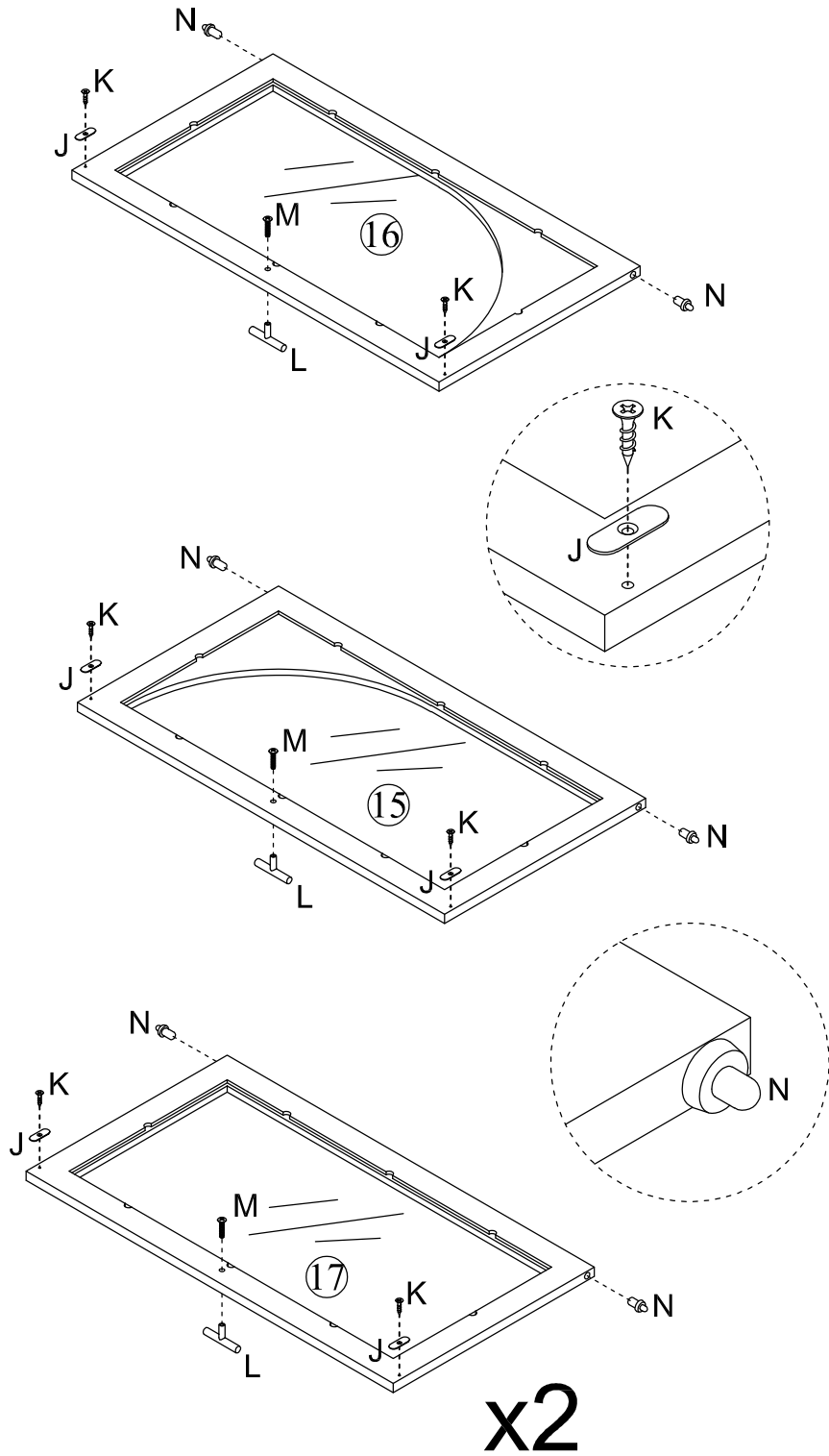
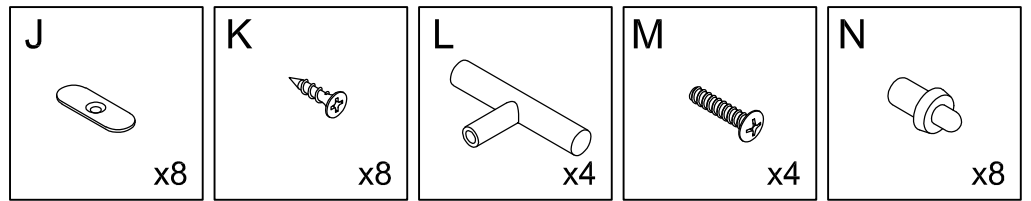
STEP 12



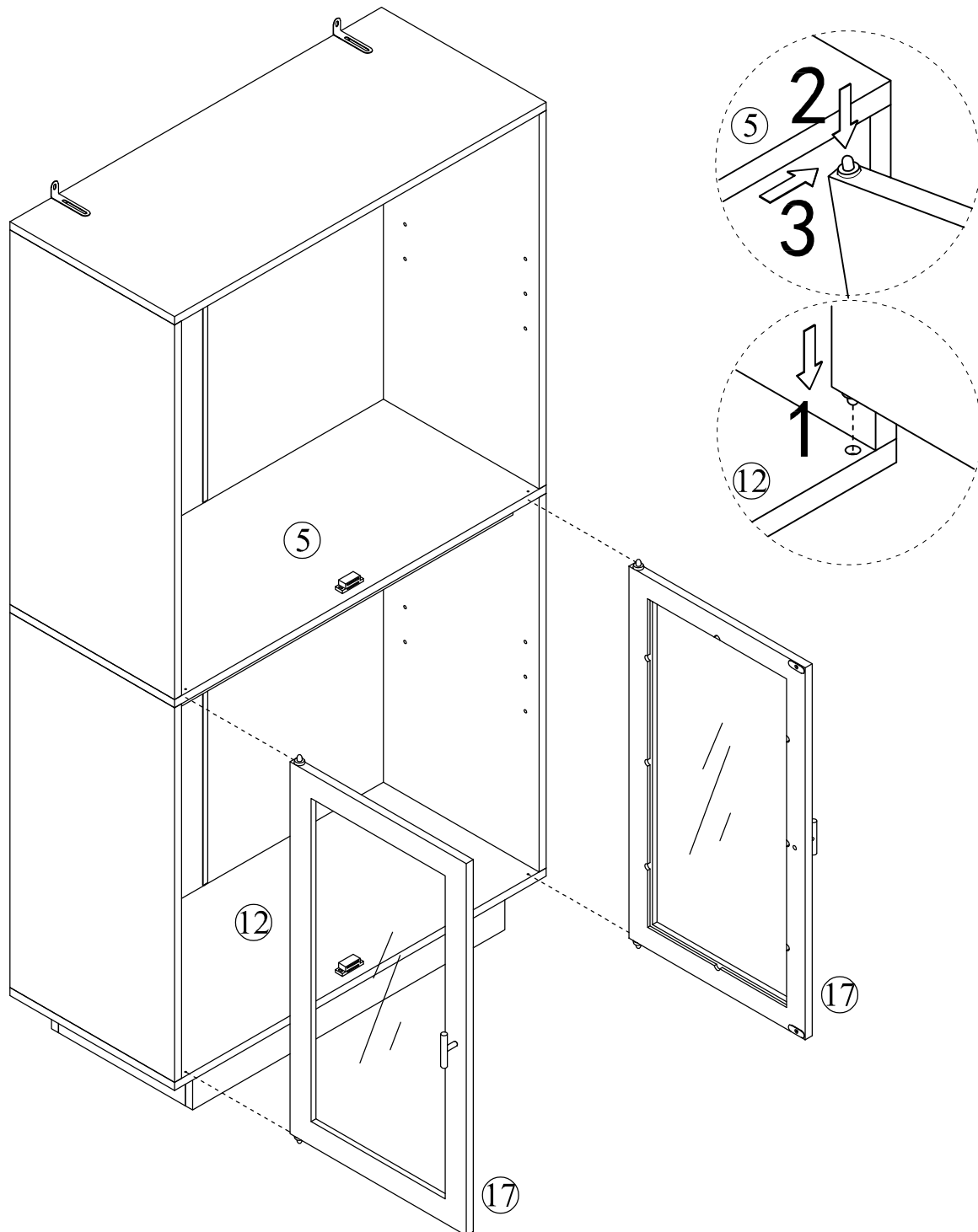
STEP 13



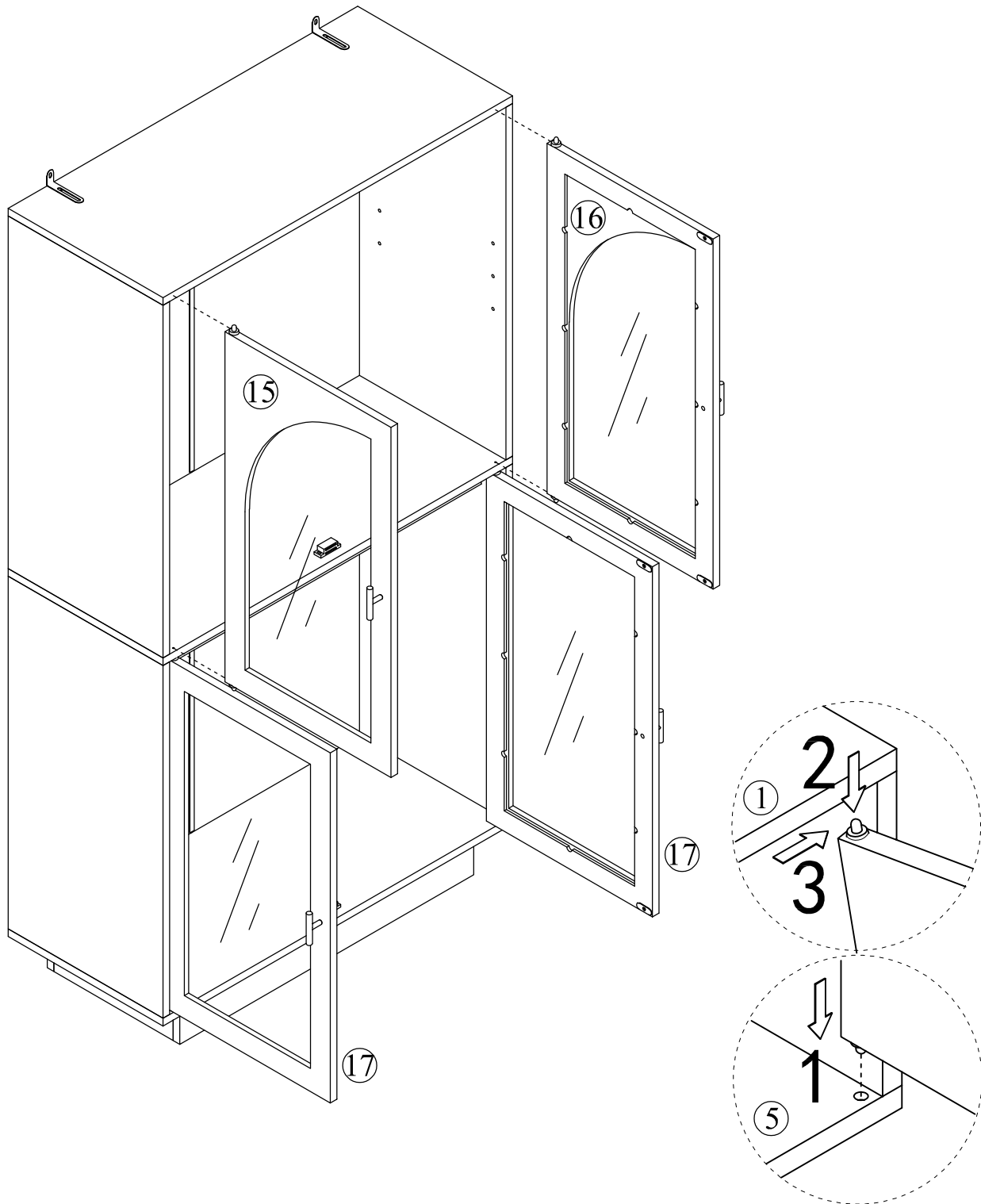
STEP 14



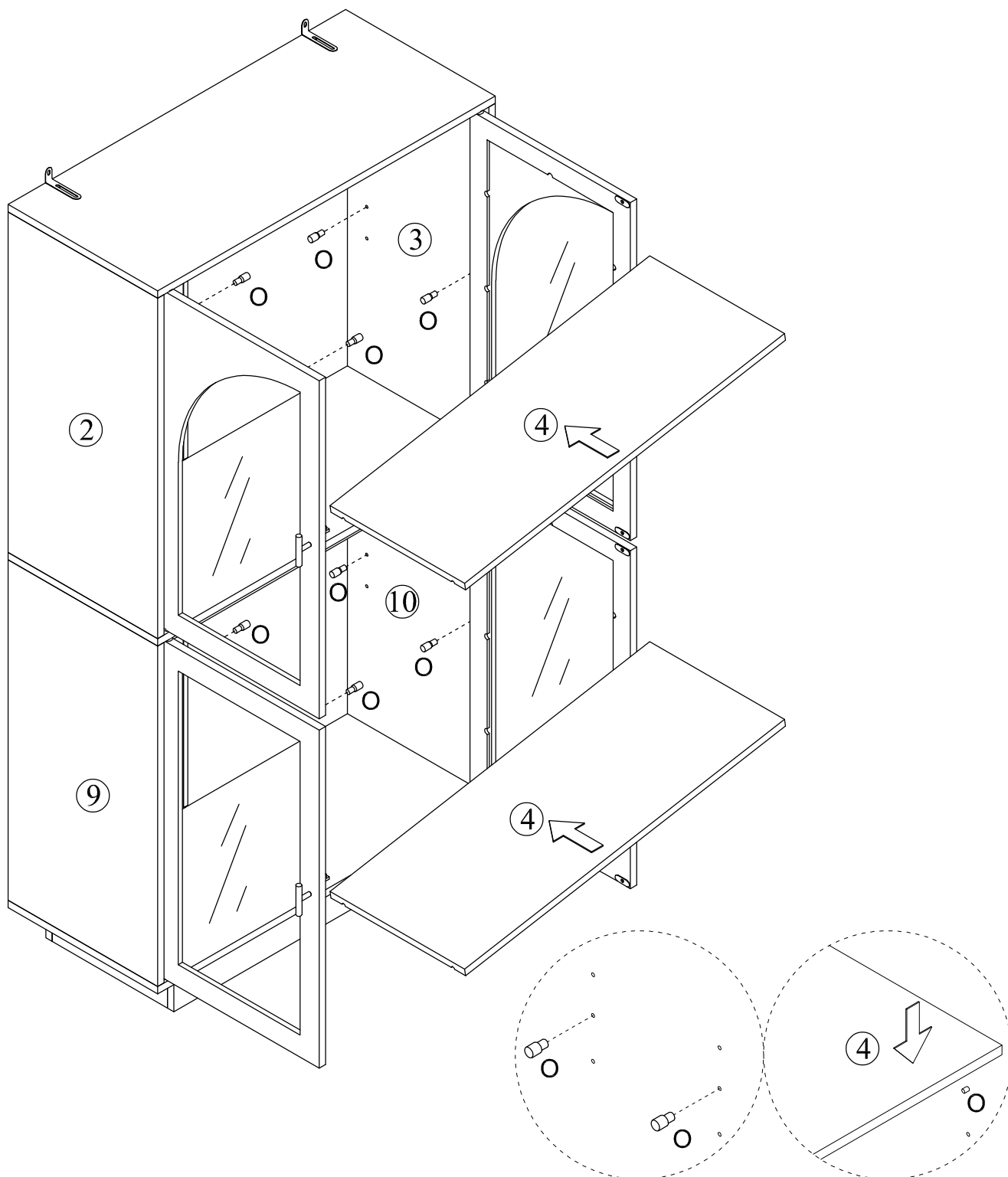
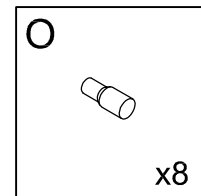
STEP 15



STEP 16



STEP 17



Proper Use

- DO NOT** use for commercial purposes
- DO NOT** use as a step stool or stand on table
- DO NOT** put hot serving liquid directly on the table top
- DO NOT** leave spilled liquid on the table top
- DO NOT** use table if damaged
- DO NOT** exceed weight limit
- DO NOT** make temporary repairs
- DO NOT** use outdoor

Dear Customer:

Thank you for purchasing our product,we wish you satisfy our service,if you have any further questions or any quality issues,please show the belows number and don't hesitate to contact our Customer Service People:

W688202405