

# INSTALLATION MANUAL



SFS1121

## IMPORTANT NOTICE

- ▲ Ensure the pipes are clear and flush or blow out debris before installation to prevent blockages.
- Please read this manual carefully before installation.
- Ensure all parts are included before starting the assembly.
- For replacement parts, please contact us using the contact information in the footer.

## LIMITED LIFETIME WARRANTY

EVERSTEIN, a brand committed to the highest standards of quality and craftsmanship, provides a Limited Lifetime Warranty for its faucets. This warranty is applicable to the original purchaser and covers defects in material or manufacturing workmanship, proof of purchase will be required in the case of a claim.

For manufacture defects, EVERSTEIN will, at its option, (1) replace the defective part or product free of charge, (2) refund the original purchase price of the product (valid for 30 days from the date of delivery).

EVERSTEIN recommends installation by a licensed professional plumber. EVERSTEIN is not responsible for any damage or product failure caused by improper installation, misuse or failure to use a licensed professional.

## WARRANTY COVERAGE EXCLUSIONS

This warranty does not cover defects or damage caused by the use of non-EVERSTEIN original parts. Furthermore, any damage resulting from faulty installation, product abuse, improper use, or the use of abrasive cleaners or solvents is not covered by this warranty. Labor charges and/or damage incurred during installation, repair, or replacement are also not the responsibility of EVERSTEIN.

## LIMITATIONS OF LIABILITY

Except as required by law, this warranty replaces all other warranties, conditions, and guarantees, whether expressed or implied, statutory or otherwise, including but not limited to merchantability or suitability. In certain states, provinces, and countries, the exclusion or limitation of incidental or consequential damages may not apply.

## RESPONSIBILITIES OF OTHERS

Inspecting the unit prior to installation is the responsibility of the installer or building contractor who acts on behalf of the user. They are responsible for ensuring the unit is free of defect or damage. In the event of a problem, the unit must not be installed. EVERSTEIN is not responsible for failures or damage that could have been discovered, repaired, or avoided by proper inspection and testing prior to installation.

Damage occurring in transit is the responsibility of the carrier. The user or installer MUST open the crate and inspect the unit for damage when it is delivered. If damage is discovered, it must be reported immediately to the EVERSTEIN and the carrier in writing.

## WARRANTY SERVICE NOTE

When requesting warranty, be sure to have the following:

- Copy of original invoice
- Date of installation
- Description and pictures of defect
- Model number or description of model

To obtain warranty service and replacement part, please contact EVERSTEIN Customer Service Team. EVERSTEIN will determine whether to repair or replace your product, issue a refund.

# **CONTENT**

---

**1. Basin Faucet Installation Manual ----- (1-3)**

# **CONTENIDO**

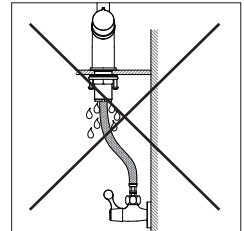
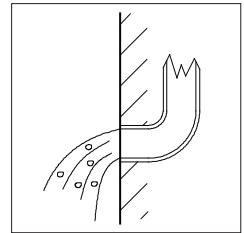
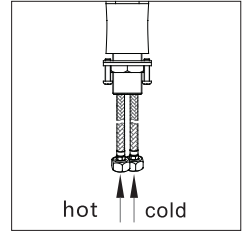
---

**1. Manual de instalación del grifo para lavabo.----- (4-6)**

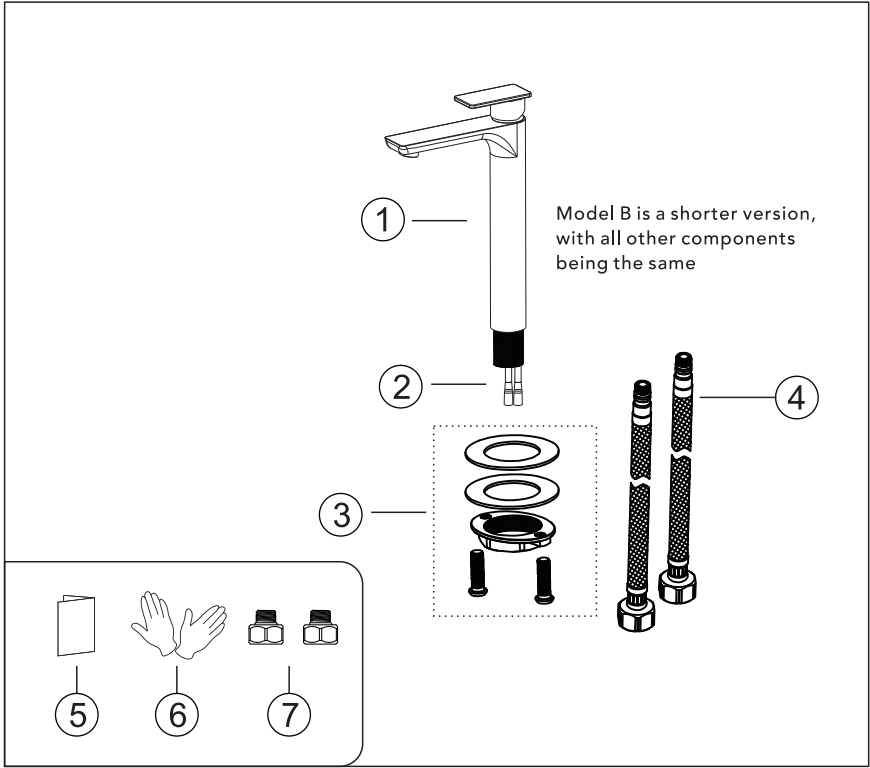
# Prior to Installation

---

1. Ensure that all necessary parts are available by referring to the diagram and parts list.
2. Ensure that your basin matches the kitchen faucet size.
3. Do not disassemble the main faucet body, as it has been properly installed and tested before delivery from the factory.
4. Turn off the hot and cold water supply before starting the installation.
5. To prevent the faucet from clogging, flush the water pipes before installation.
6. After completing the installation, check all joints and connections for leaks.



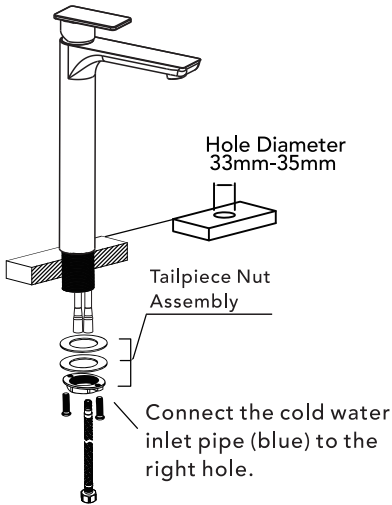
# Standard Part List



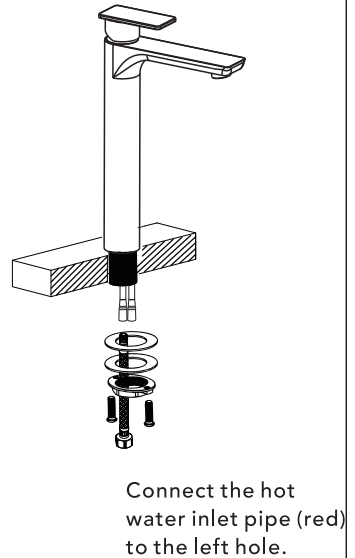
NO.	Part Name	Qty
1	Faucet body	1
2	Extension copper pipe	2
3	Tailpiece nut assembly	1 set
4	Hot and cold inlet pipes	1
5	Installation manual	1
6	Gloves	2
7	G9/16 to NPT1/2 adapter	2

# Installation Step

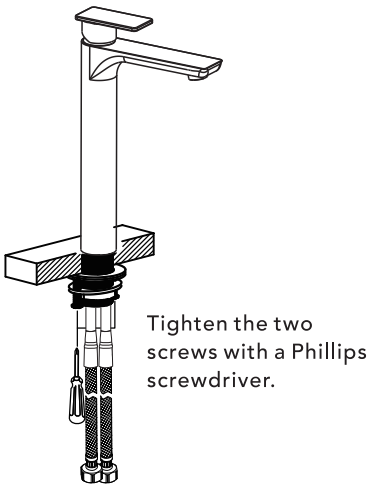
1



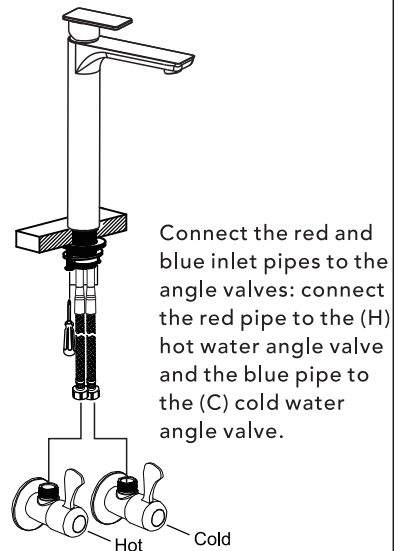
2



3



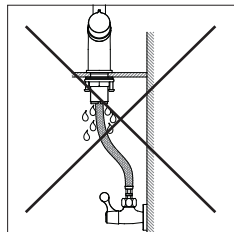
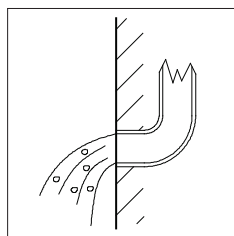
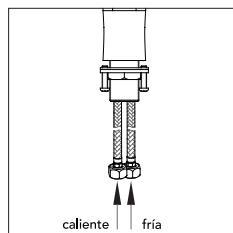
4



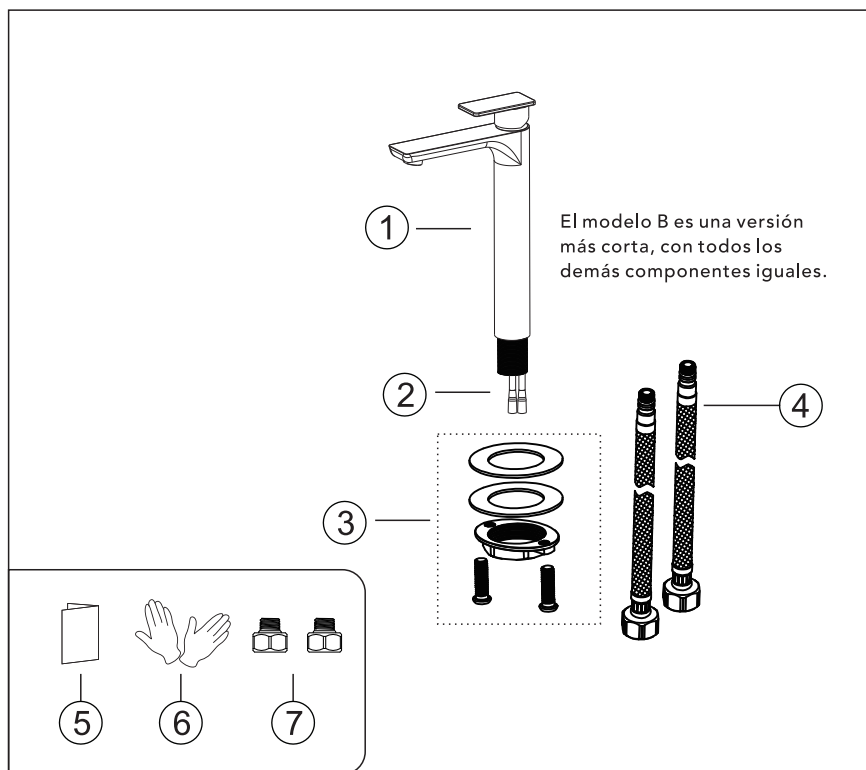
# Antes de la instalación

---

1. Asegúrese de tener todas las piezas necesarias verificando el diagrama y la lista de piezas.
2. Verifique si su lavabo es compatible con el tamaño del grifo del lavabo.
3. No desmonte el cuerpo principal del grifo, ya que ha sido instalado y ajustado correctamente y con precisión antes de su entrega desde la fábrica.
4. Cierre los suministros de agua caliente y fría antes de comenzar.
5. Para evitar que el grifo se obstruya, enjuague la tubería de agua antes de la instalación.
6. Al finalizar la instalación, revise todas las uniones y conexiones para detectar posibles fugas.



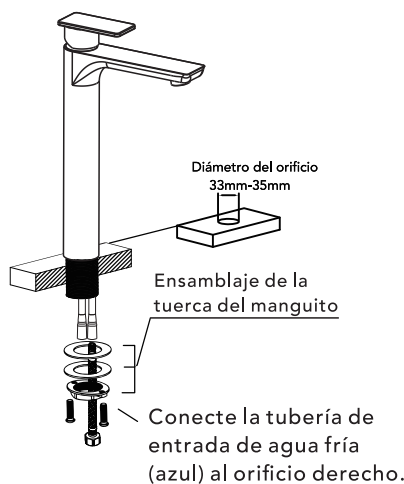
# Lista estándar de piezas



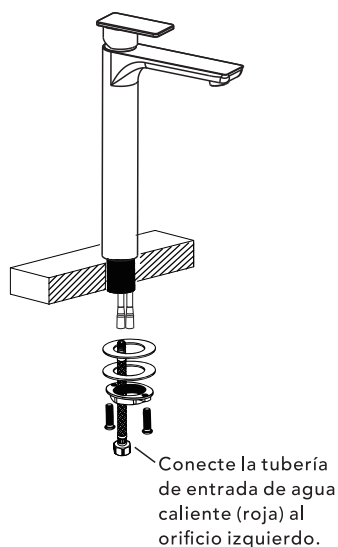
N.º	Nombre de la pieza	Cant.
1	Cuerpo del grifo	1
2	Tubo de extensión de cobre	2
3	Ensamblaje de la tuerca del mango	1 juego
4	Tuberías de entrada de agua caliente y fría	1
5	Manual de instalación	1
6	Guantes	2
7	Adaptador de G9/16 a NPT1/2	2

# Paso de instalación

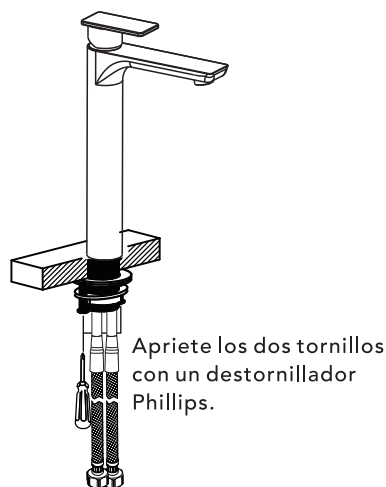
1



2



3



4

