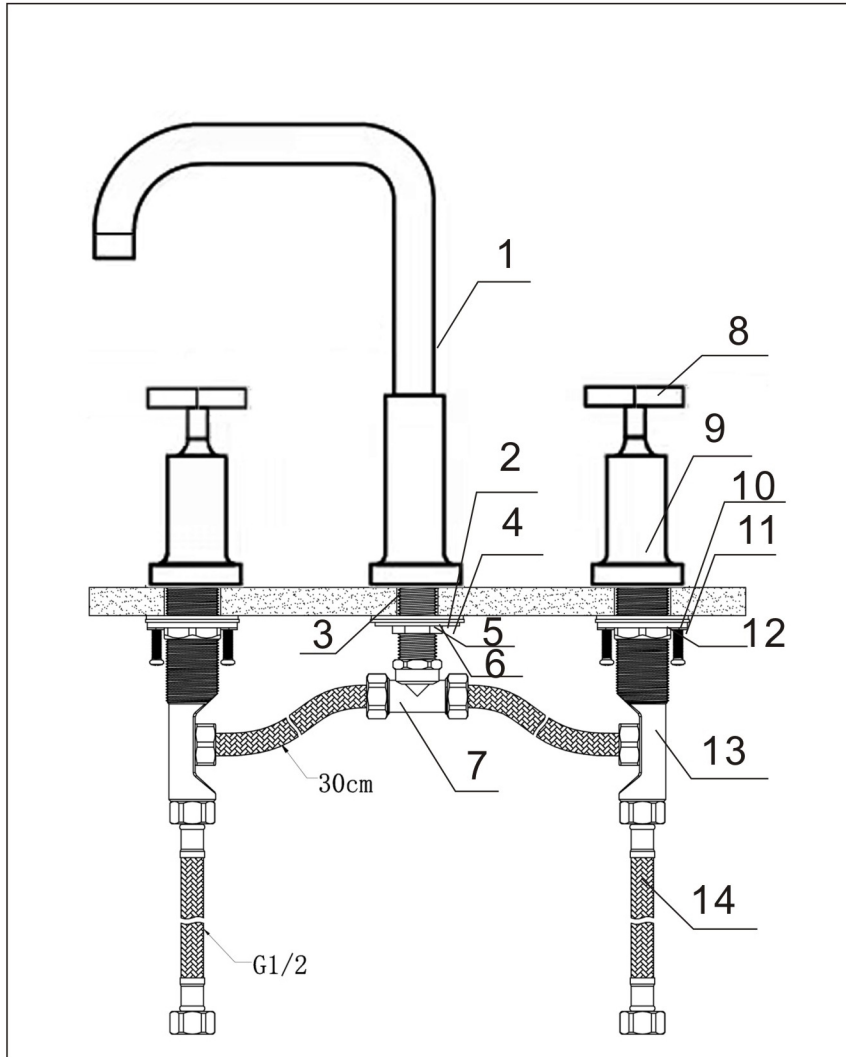


1. Prepare Tap for Installation



2. Installation Instructions

1.	spout
2.	O-ring washer
3.	nipple
4.	nut
5.	nut 5. G3/4"black washer
6.	washer
7.	triple tube
8.	handle
9.	decorate seat
10.	washer
11.	washer
12.	nut
13.	Triple valve
14.	hoses