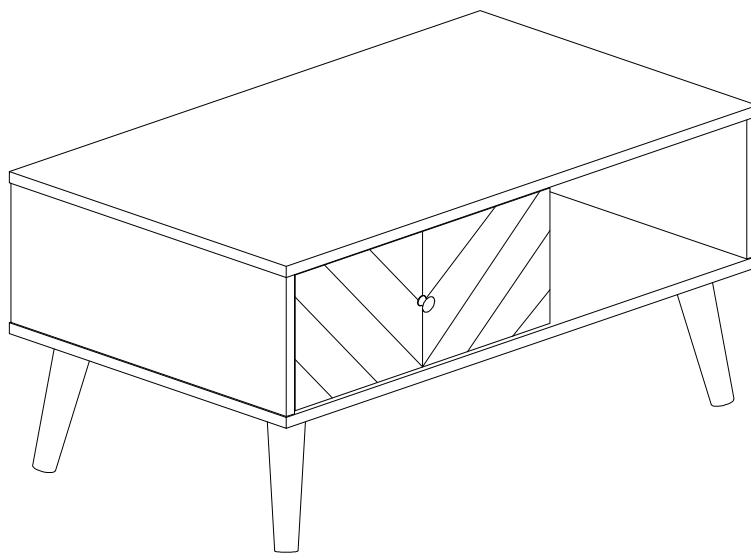



Dallas COFFEE TABLE

Assembly Instructions – Please keep for future reference



Dimensions	No. people	Assembly Time	
Width: 85cm Depth: 50cm Height: 40cm		30 mins (approx.)	

Important – Please read these instructions fully before starting assembly

Safety and Care Advice

Important – Please read these instructions fully before starting assembly

- Check you have all the components and tools listed on pages 4 and 5.
- Remove all fittings from the plastic bags and separate them into their groups.
- Keep children and animals away from the work area, small parts could choke if swallowed.
- Make sure you have enough space to lay out the parts before starting.
- Do not stand or put weight on the product, this could cause damage.
- Assemble the item as close to its final position (in the same room) as possible.
- Assemble on a soft, level surface to avoid damaging the unit or your floor.
- We do not recommend the use of power drill/drivers for inserting screws, as this could damage the unit. Only use hand screwdrivers.
- Dispose of all packaging carefully and responsibly.



Care and Maintenance

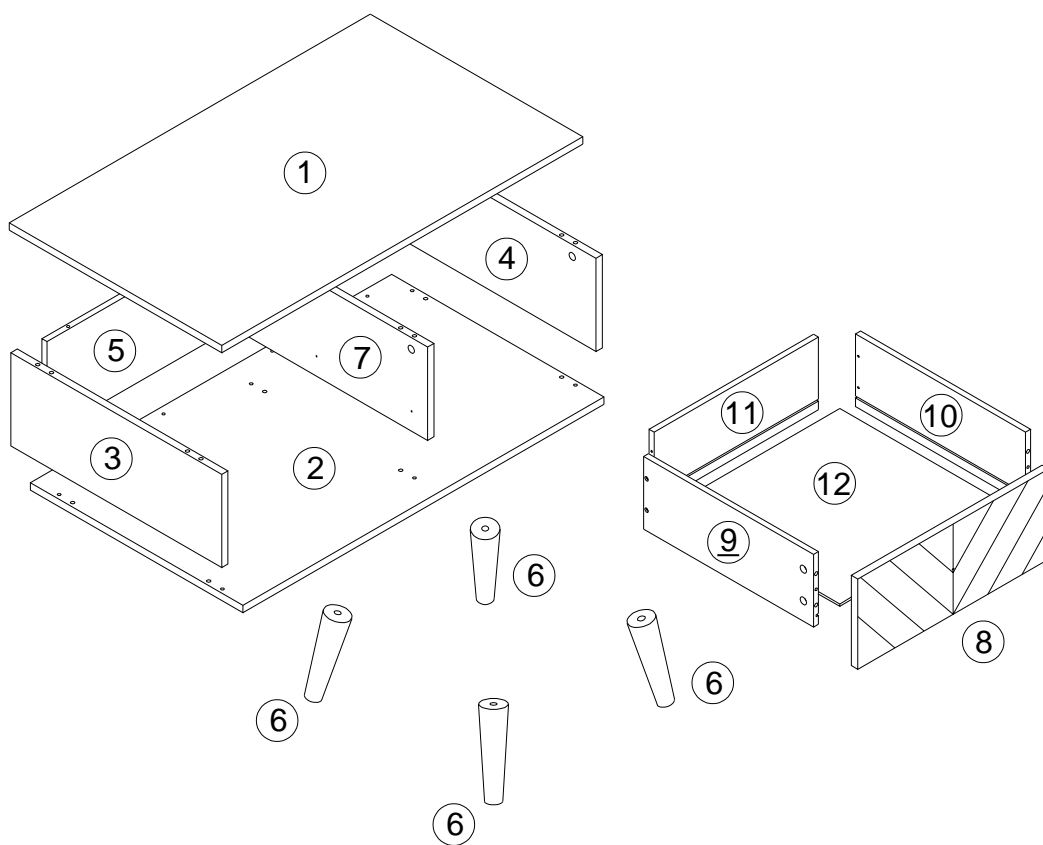
- Only clean using a damp cloth and mild detergent, do not use bleach or abrasive cleaners.
- From time to time check that there are no loose screws on this unit.
- This product should not be discarded with household waste. Take to your local authority waste disposal centre.

If kept outside please ensure in the winter months that the product is correctly covered or put away into a dry environment to prevent corrosion, weathering or damage.

If your product is not designed to be outside, we recommend that it is always kept indoors in a dry environment.

If you are unhappy with the product and wish to return it, please follow the retailer's returns procedure.

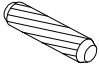
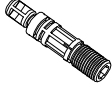


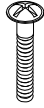
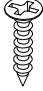


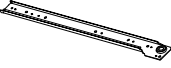



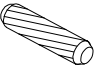


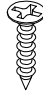
Exploded View



Components - Fixings

Please check that you have all the components listed below before constructing your item

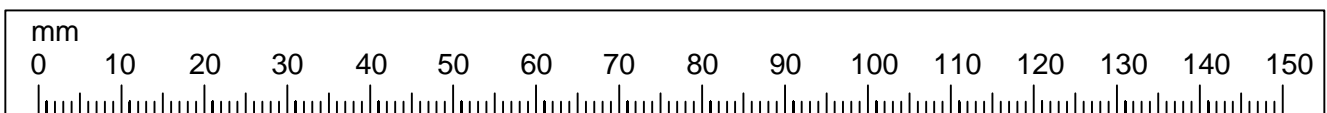
Note: The quantities below are the correct amount to complete the assembly. In some cases more fittings may be supplied than are required.

A x12	Ø8*30 	B x10	Ø8*38 	C x6	Ø15*12 	D x6	M7*38 
E x1	M4*18 	F x12	M3.5*12 	G x1		H x2	
I x2		J x4	M8*40 	K x4	M4*30 	L x4	Ø15*10 
M x10	Ø6*30 	N x2		O x4		P x20	M3.5*16 
Q		R		S		T	
U		V		W		X	

Tools Required



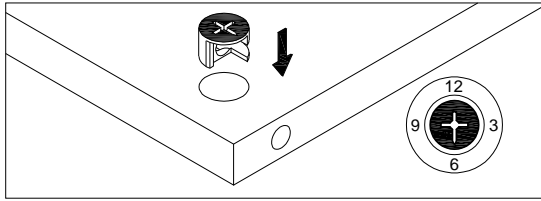
Ruler – Use this to measure your screws (mm)



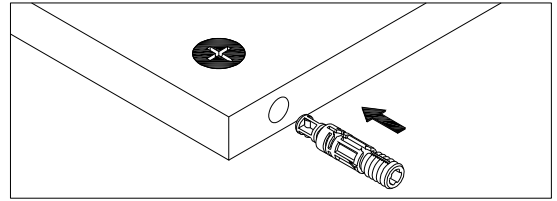
Important – Please read these instructions fully before starting assembly

Assembly Instructions

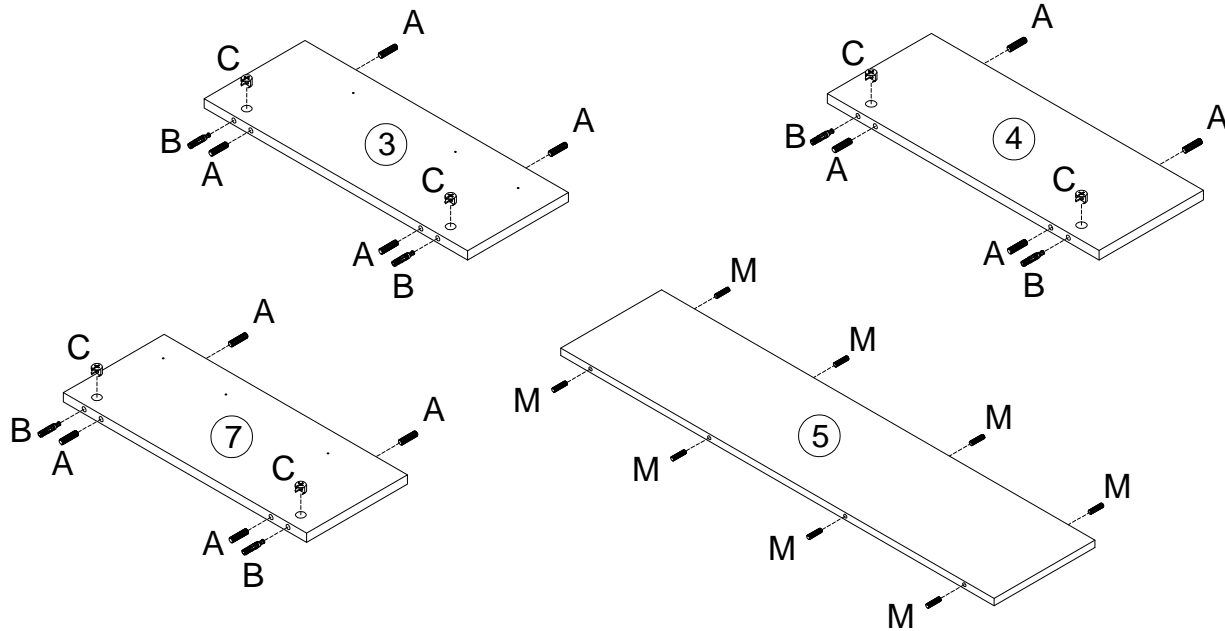
Step 1



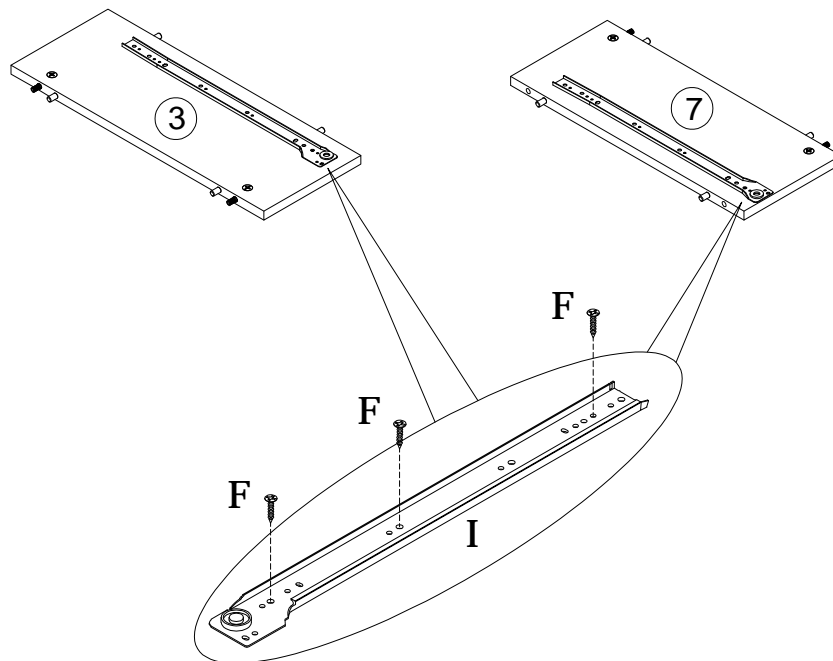
1. Press cam into pre-drilled hole with the arrow pointing toward the side hole. (see 6 O'clock.)



2 . Push the bolt all the way into the side hole.

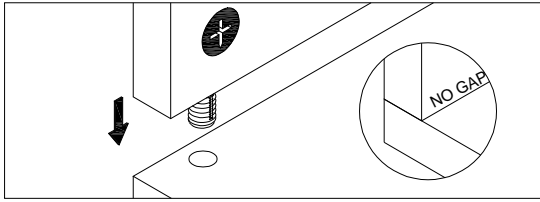


Step 2

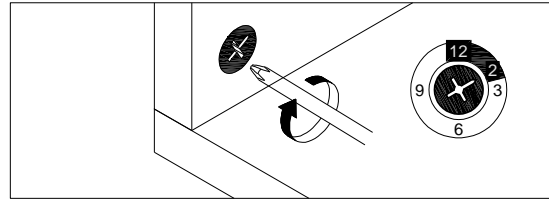


Assembly Instructions

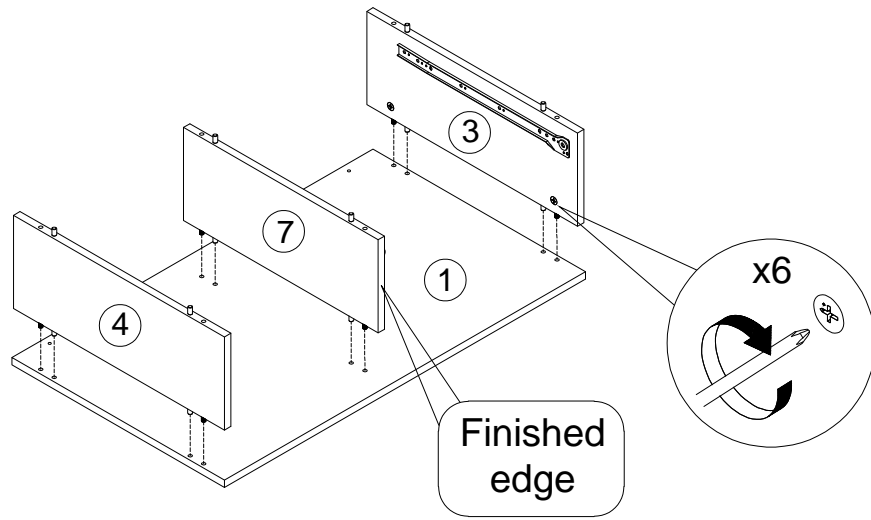
Step 3



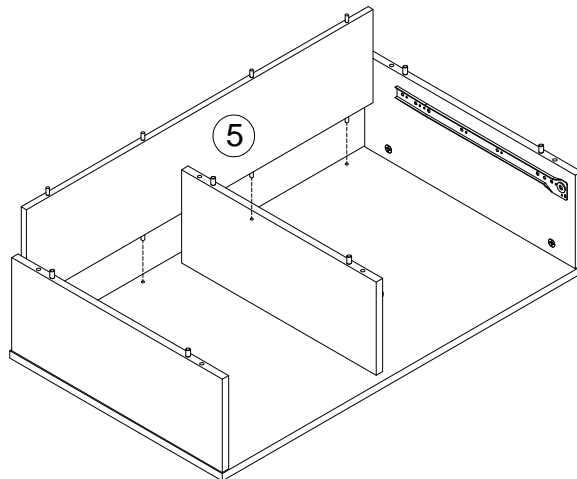
3 . With all cam & bolts installed align and push the panels together - NO GAPS
(MAKE SURE PANELS HAVE NO GAPS)



4 . Turn cam clockwise to tighten. Secure connection by turning arrow on the cam to 2 O'clock to smoothly lock panels together.

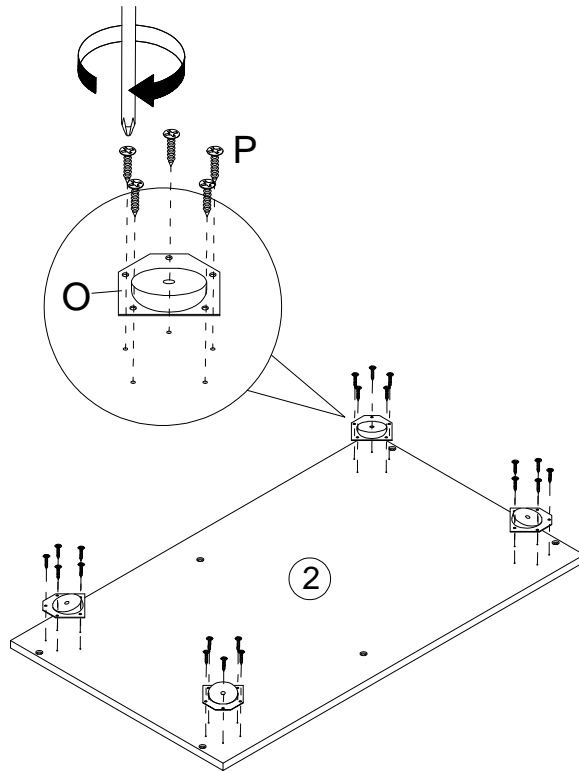


Step 4

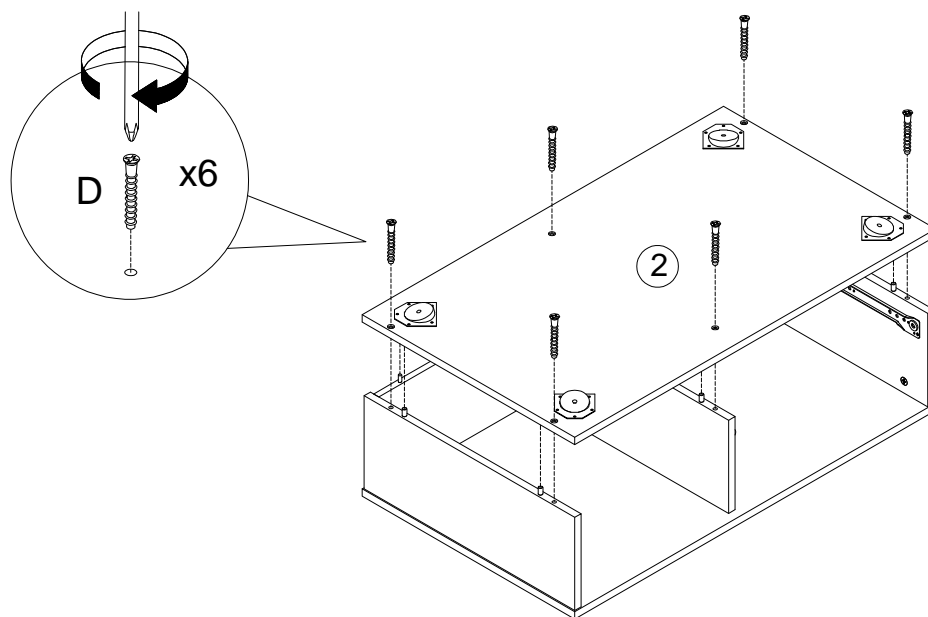


Assembly Instructions

Step 5

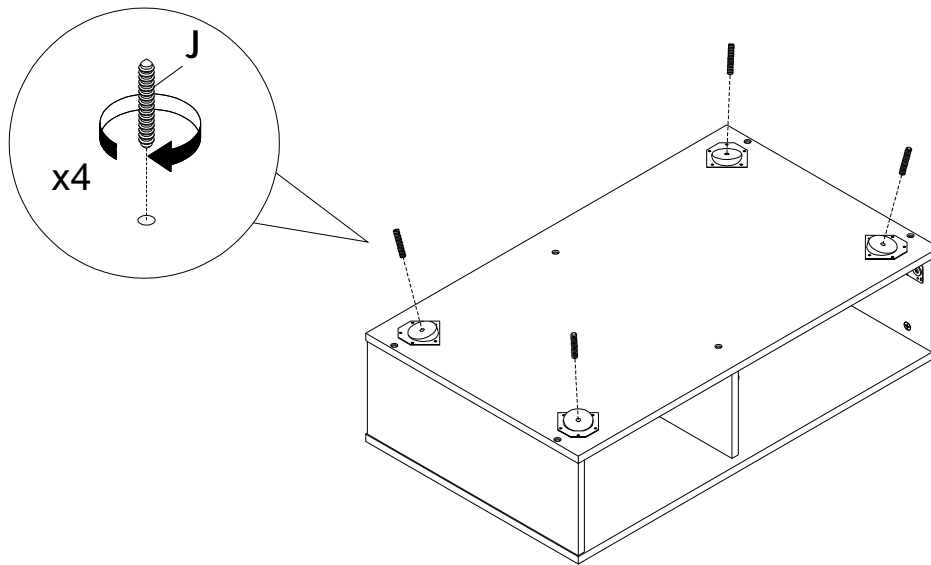


Step 6

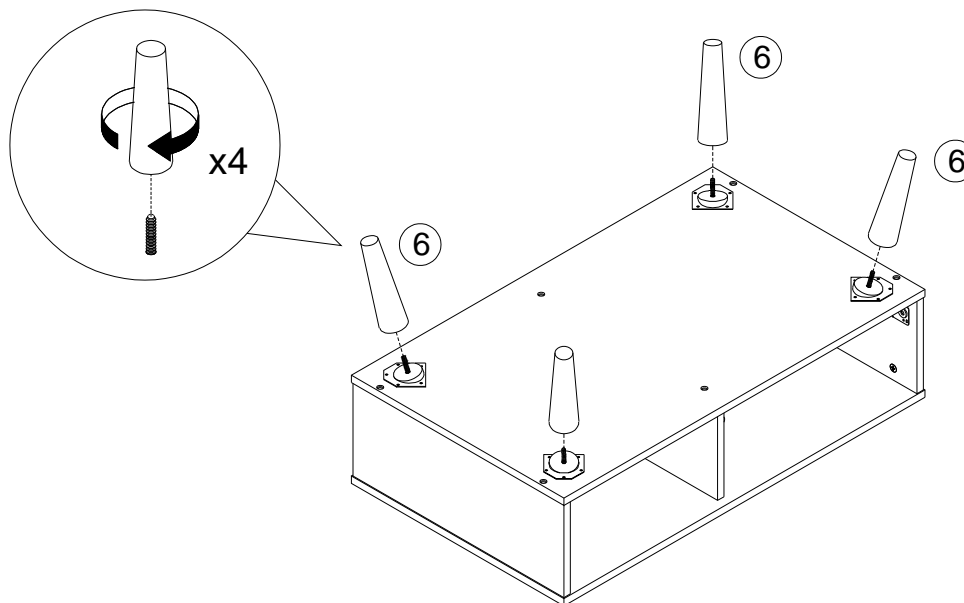


Assembly Instructions

Step 7

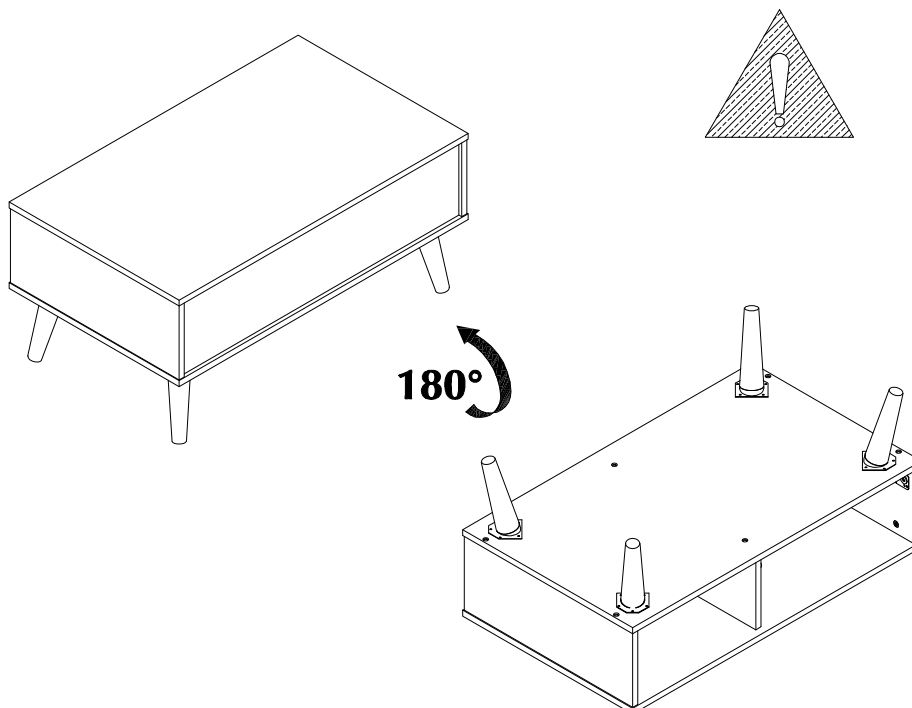


Step 8

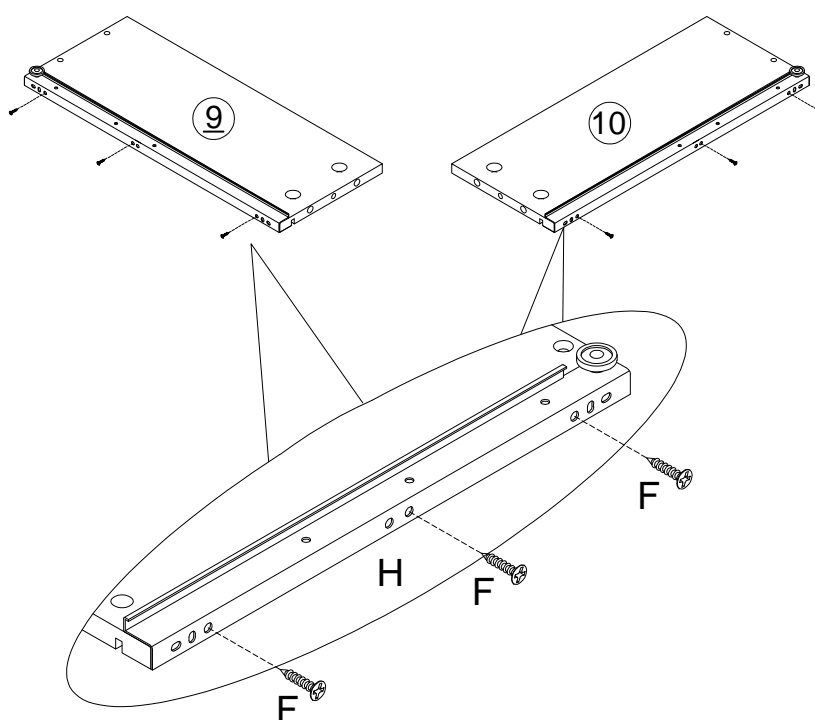


Assembly Instructions

Step 9

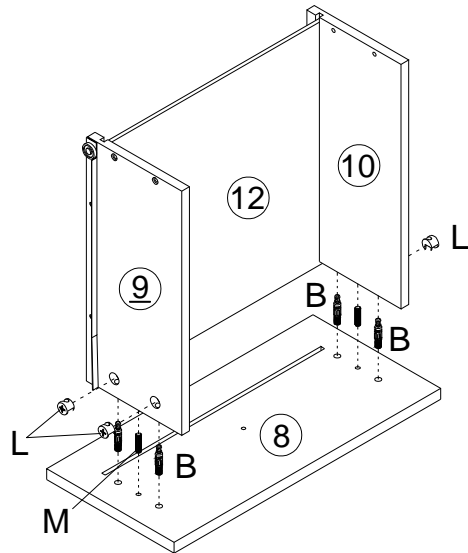


Step 10

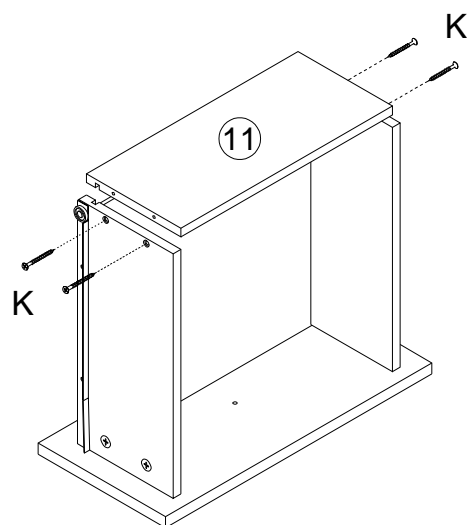


Assembly Instructions

Step 11

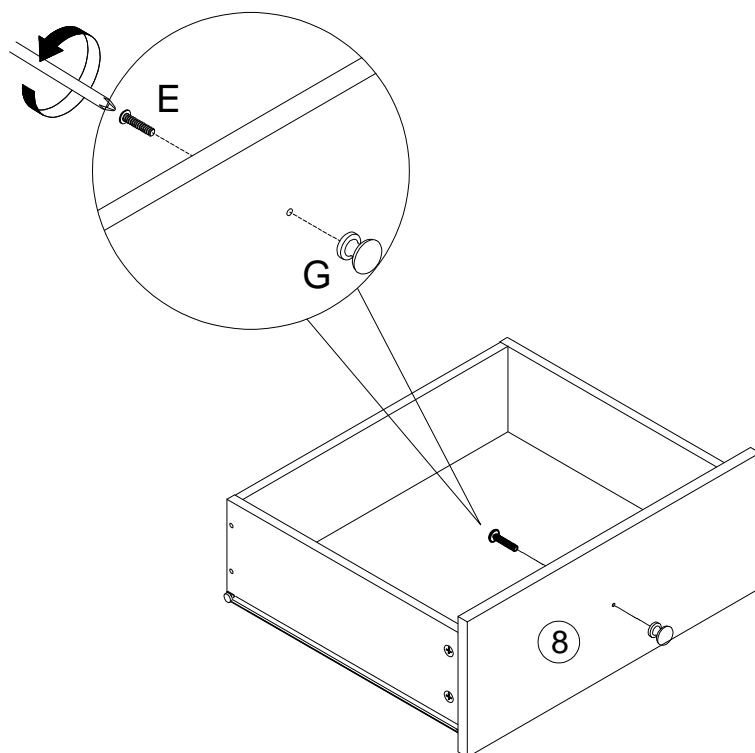


Step 12



Assembly Instructions

Step 13



Step 14

