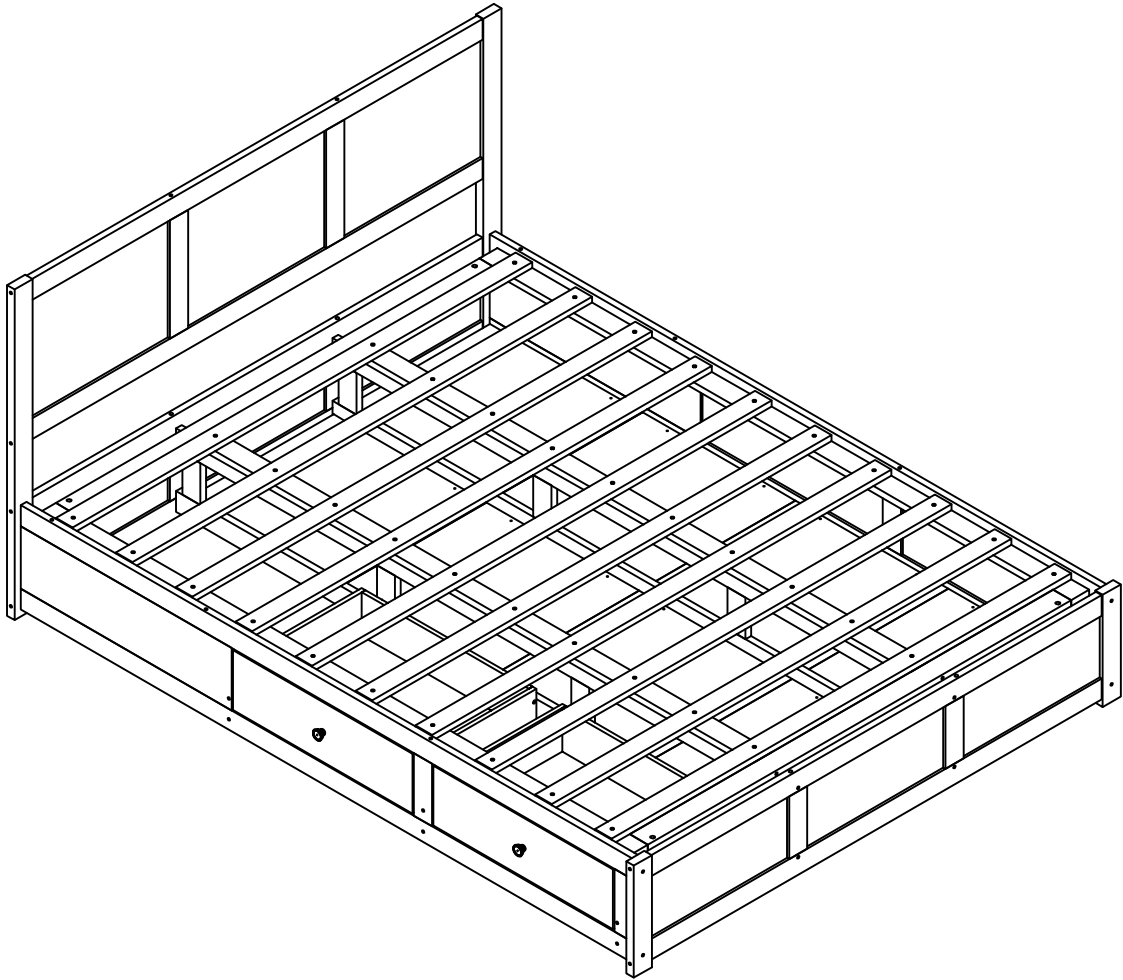


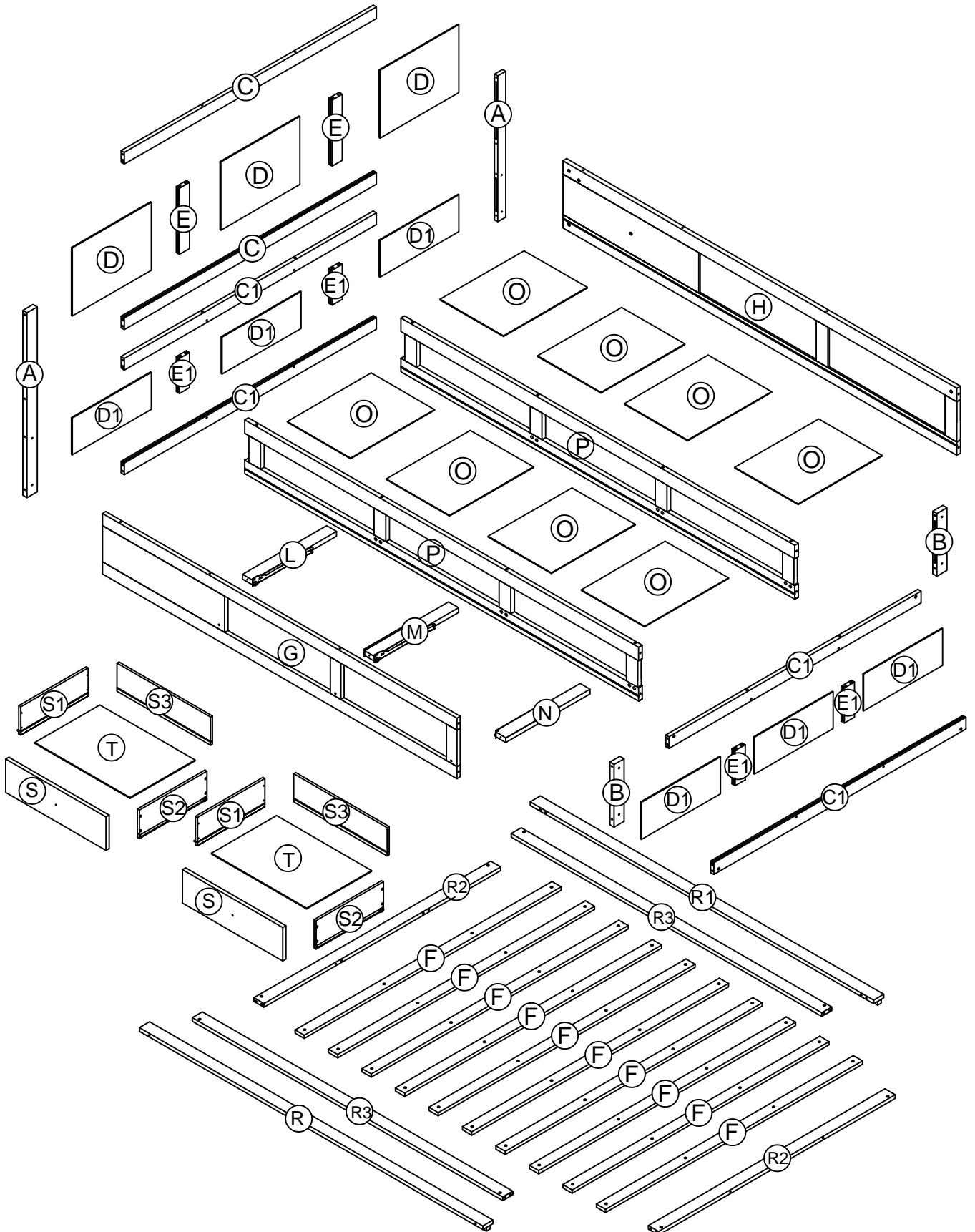
# ASSEMBLY INSTRUCTION





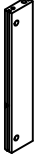
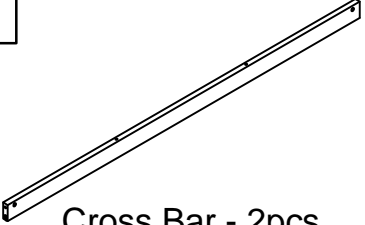

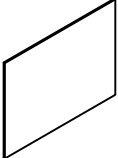
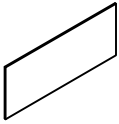

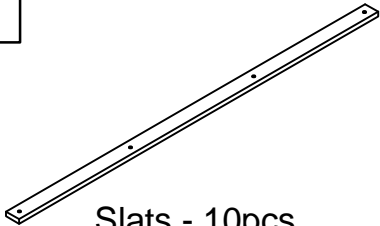
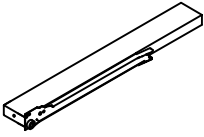
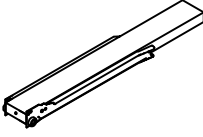
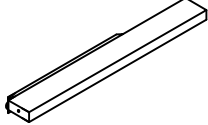
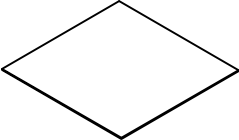
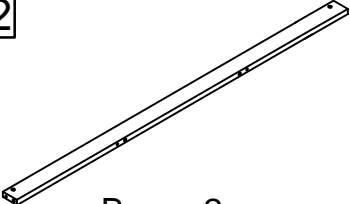
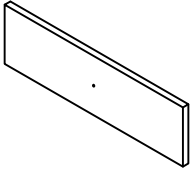
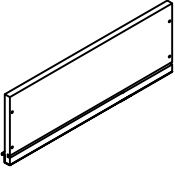
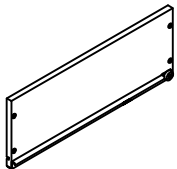
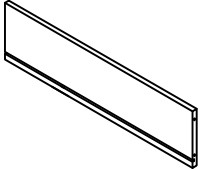
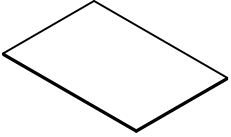
## **! SAFETY WARNINGS !**

1. This bed is designed for use FULL Mattress 75 inch Long 54 inch Wide.
2. Always use the recommended size mattresses or mattress supports, or both, to help prevent the likelihood of entrapment or falls.
3. Do not allow horseplay on or under the bed and prohibit jumping on the bed
4. Do not use substitute parts. Contact the manufacturer or dealer for replacement parts.
5. Keep these instructions for future reference



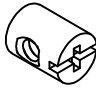


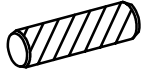

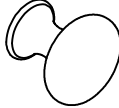
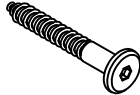
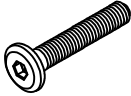
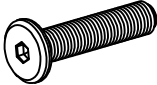


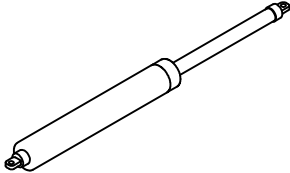
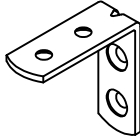
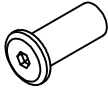


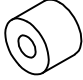
# ASSEMBLY INSTRUCTION

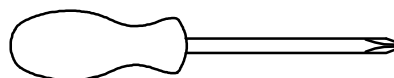


# Part List

<p><b>A</b></p>  <p>Headboard - 2pcs</p>	<p><b>B</b></p>  <p>Footboard - 2pcs</p>	<p><b>E</b></p>  <p>Vertical Bar - 2pcs</p>
<p><b>C</b></p>  <p>Cross Bar - 2pcs</p>	<p><b>C1</b></p>  <p>Cross Bar - 4pcs</p>	<p><b>D</b></p>  <p>Head Panels - 3pcs</p>
<p><b>D1</b></p>  <p>Back Panels - 6pcs</p>	<p><b>E1</b></p>  <p>Vertical Bar - 4pcs</p>	<p><b>F</b></p>  <p>Slats - 10pcs</p>
<p><b>L</b></p>  <p>Panels - 1pcs</p>	<p><b>M</b></p>  <p>Panels - 1pcs</p>	<p><b>N</b></p>  <p>Panels - 1pcs</p>
<p><b>O</b></p>  <p>Panels - 8pcs</p>	<p><b>R2</b></p>  <p>Bars - 2pcs</p>	<p><b>S</b></p>  <p>Draws - Front Panels - 2pcs</p>
<p><b>S1</b></p>  <p>Draws - Sides Panels - 2pcs</p>	<p><b>S2</b></p>  <p>Draws - Sides Panels - 2pcs</p>	<p><b>S3</b></p>  <p>Draws - Back Panels - 2pcs</p>
<p><b>T</b></p>  <p>Draws - Panels - 2pcs</p>		

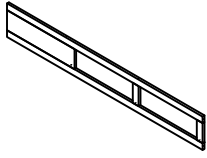
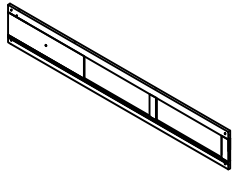
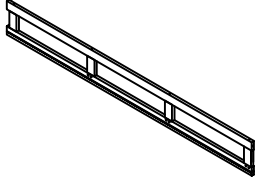
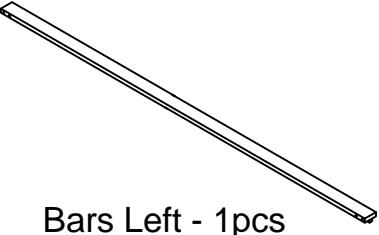
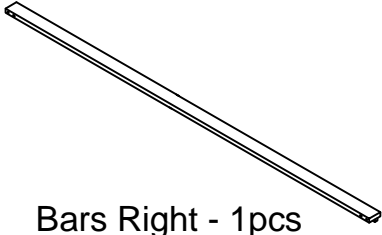

# Hardware List

<p>1</p>  <p>Ø1/4" x 60mm Hex-Head bolts 8pcs</p>	<p>2</p>  <p>Ø1/4" x 100mm Hex-Head bolts 28pcs</p>	<p>3</p>  <p>Ø11.5 x 15 mm Horizontal-Hole bolts 36pcs</p>
<p>4</p>  <p>M4 x 20 mm Wood Screws 8pcs</p>	<p>5</p>  <p>M4 x 30 mm Wood Screws 56pcs</p>	<p>7</p>  <p>Ø10 x 30 mm Wood Dowel 28pcs</p>
<p>8</p>  <p>M4 x 35 mm Bulong 2pcs</p>	<p>9</p>  <p>Wood Knob 2pcs</p>	<p>10</p>  <p>Ø1/4 x 50 mm Wood Screws 17pcs</p>
<p>11</p>  <p>Ø1/4" x 20mm Hex-Head bolts 4pcs</p>	<p>12</p>  <p>Ø1/4" x 45mm Hex-Head bolts 2pcs</p>	<p>13</p>  <p>M3.5 x 15 mm Wood Screws 32pcs</p>
<p>14</p>  <p>Allen Key 1pcs</p>	<p>15</p>  <p>Piston 2pcs</p>	<p>16</p>  <p>Steel Bracket 4pcs</p>
<p>17</p>  <p>Sleeve Nut 1/4x35-4pcs</p>	<p>18</p>  <p>Iron Steel - 16pcs</p>	<p>19</p>  <p>Sleeve Nut 1/4x25-2pcs</p>
<p>20</p>  <p>Disk Washer 2pcs</p>		



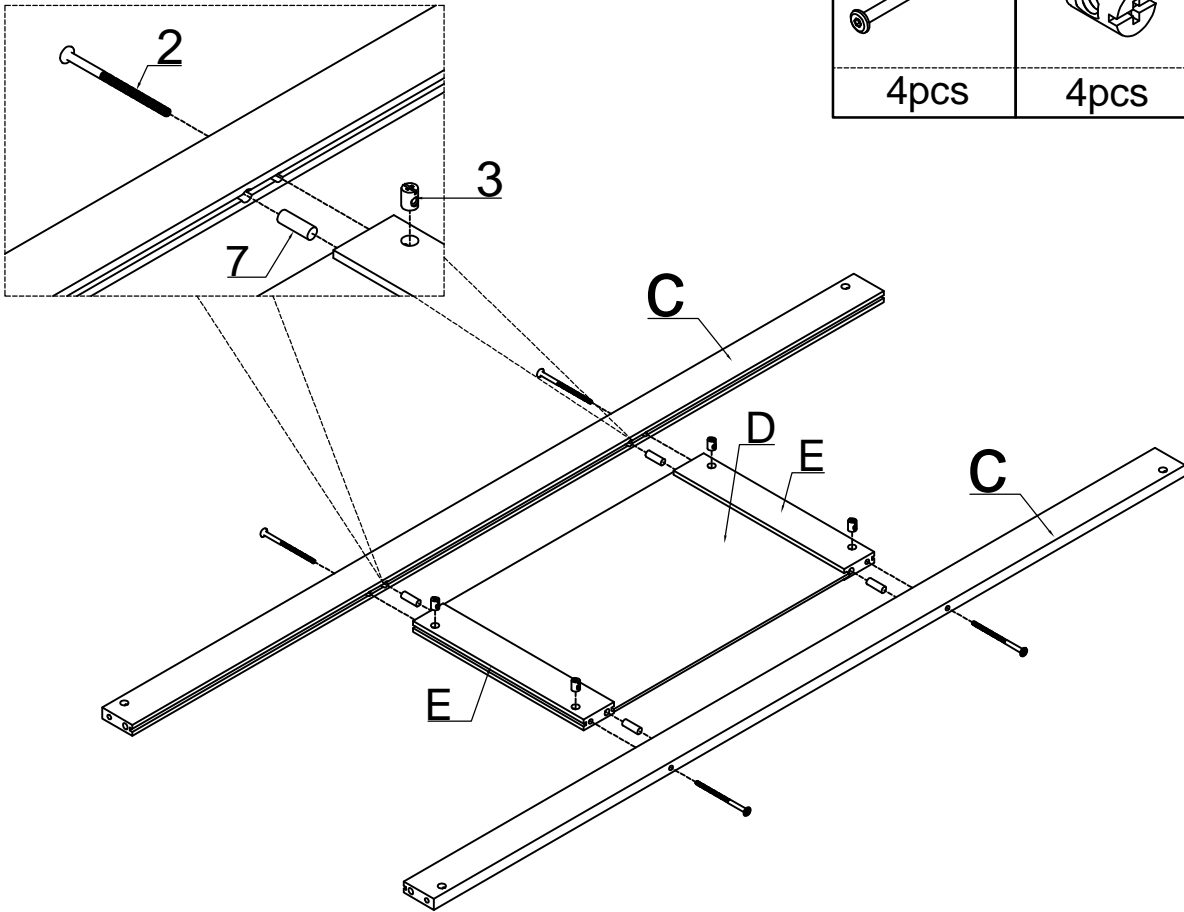
**Assembly Tools Required (Not Included)**

# Part List

<b>G</b>  Frame Sides Bar - 1pcs	<b>H</b>  Frame Sides Bar - 1pcs	<b>P</b>  Frame Sides Bar - 2pcs
<b>R</b>  Bars Left - 1pcs	<b>R1</b>  Bars Right - 1pcs	<b>R3</b>  Headboard - 2pcs

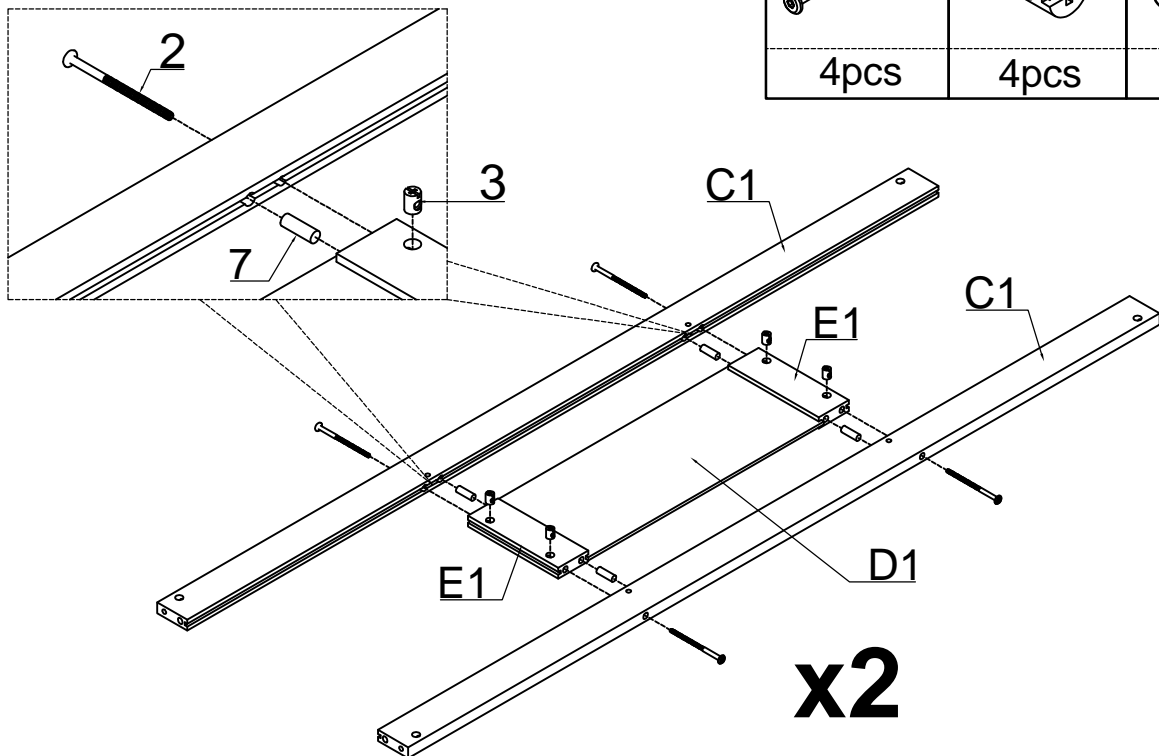
STEP 1: Following below illustration.

2	3	7
4pcs	4pcs	4pcs

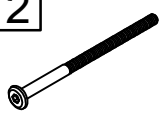
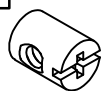
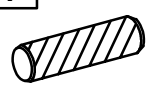


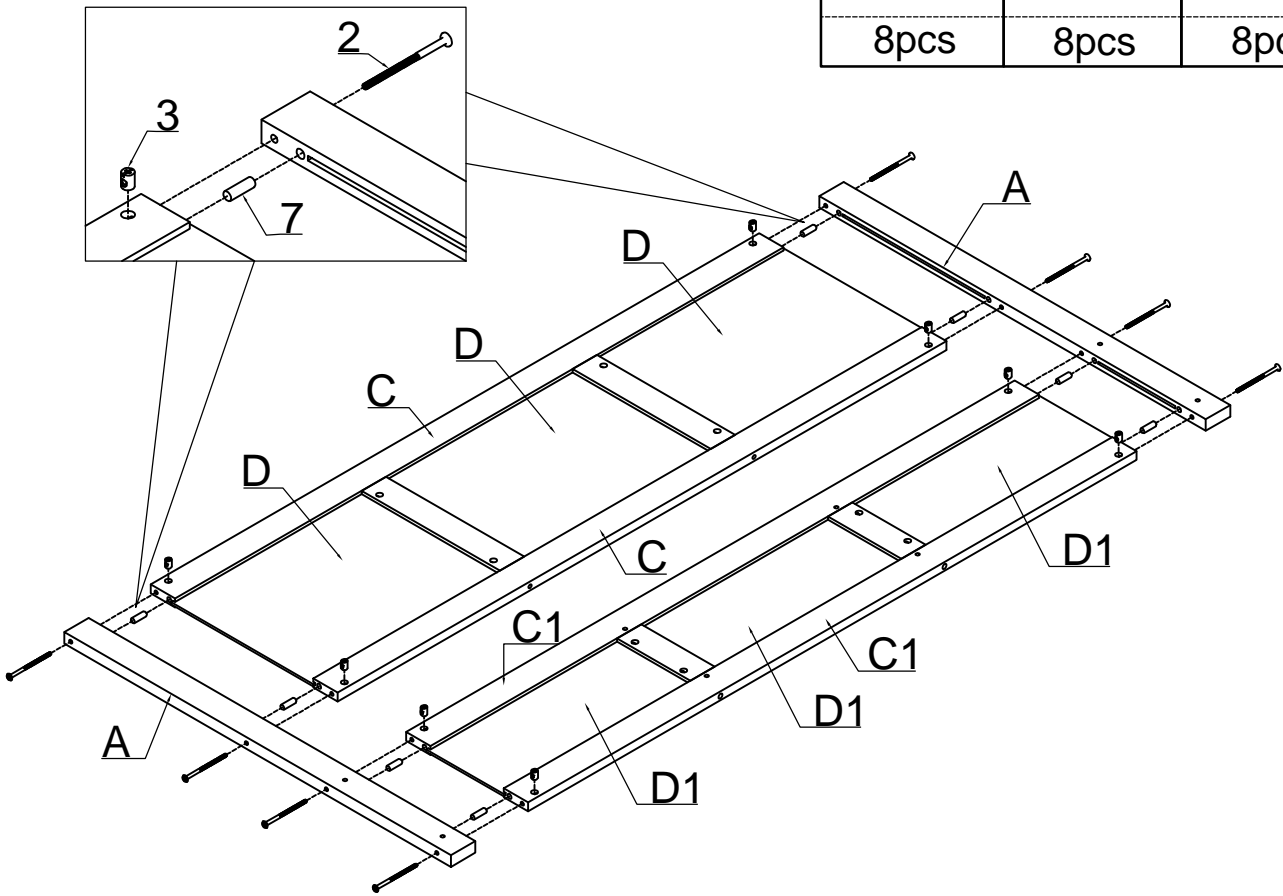
STEP 1-1: Following below illustration.

2	3	7
4pcs	4pcs	4pcs

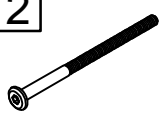
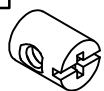
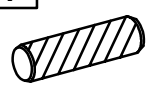


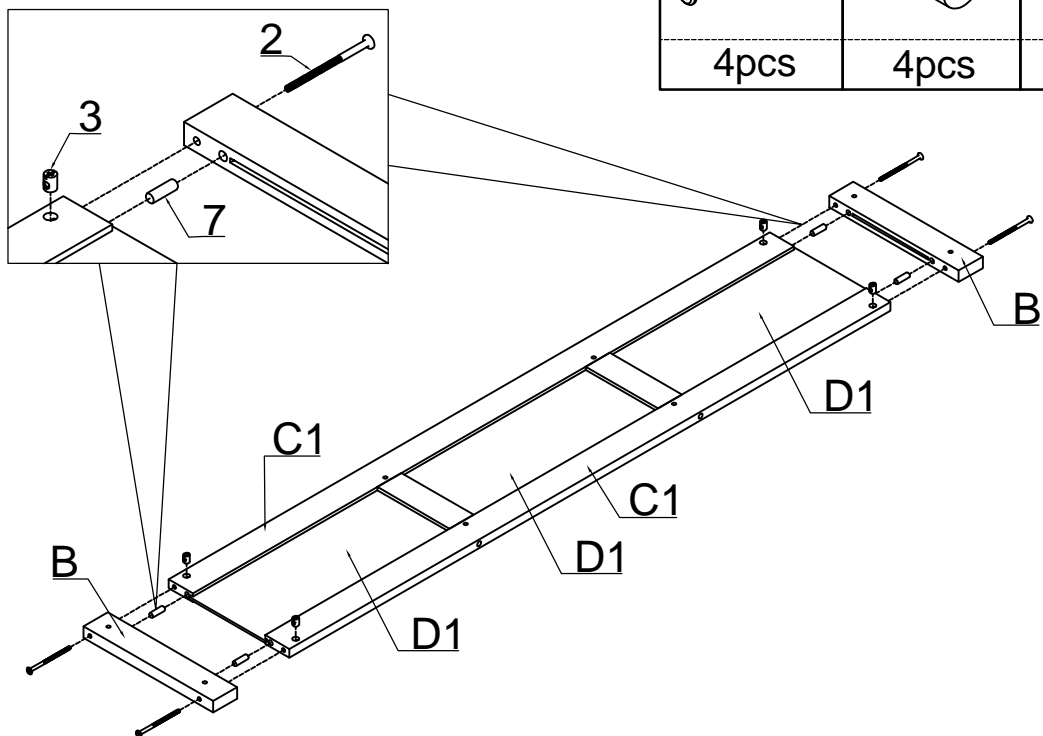
STEP 2: Following below illustration.

2		3		7	
8pcs		8pcs		8pcs	

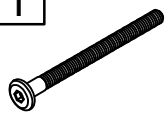
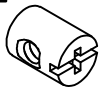


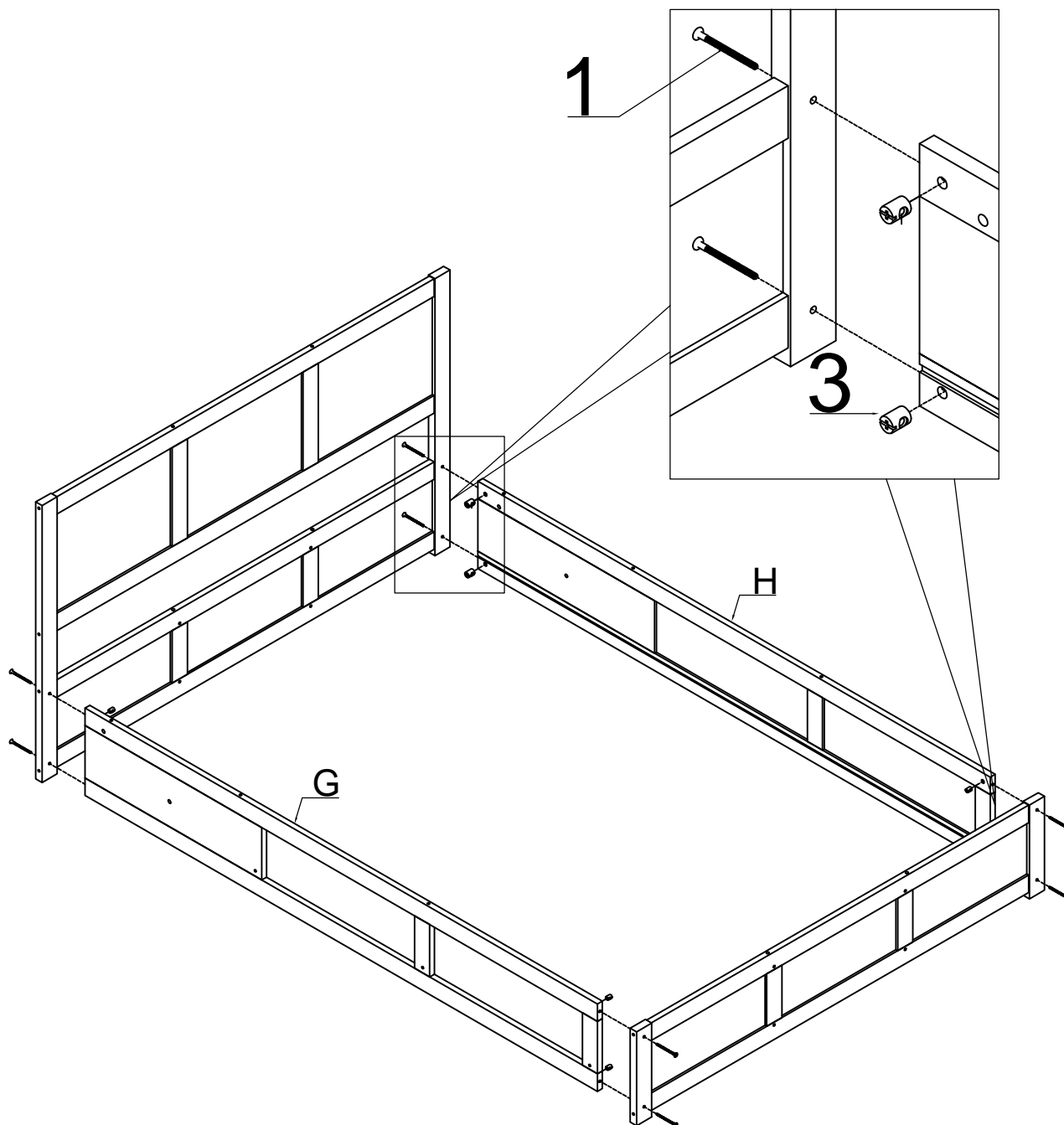
STEP 2-1: Following below illustration.

2		3		7	
4pcs		4pcs		4pcs	

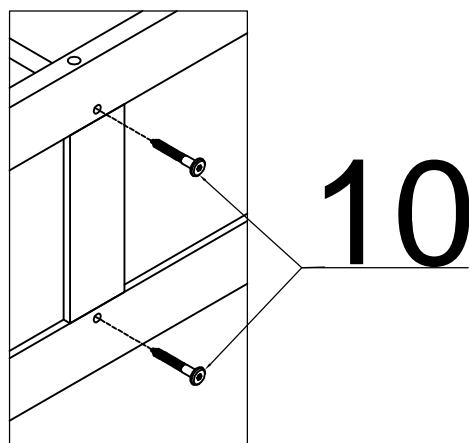
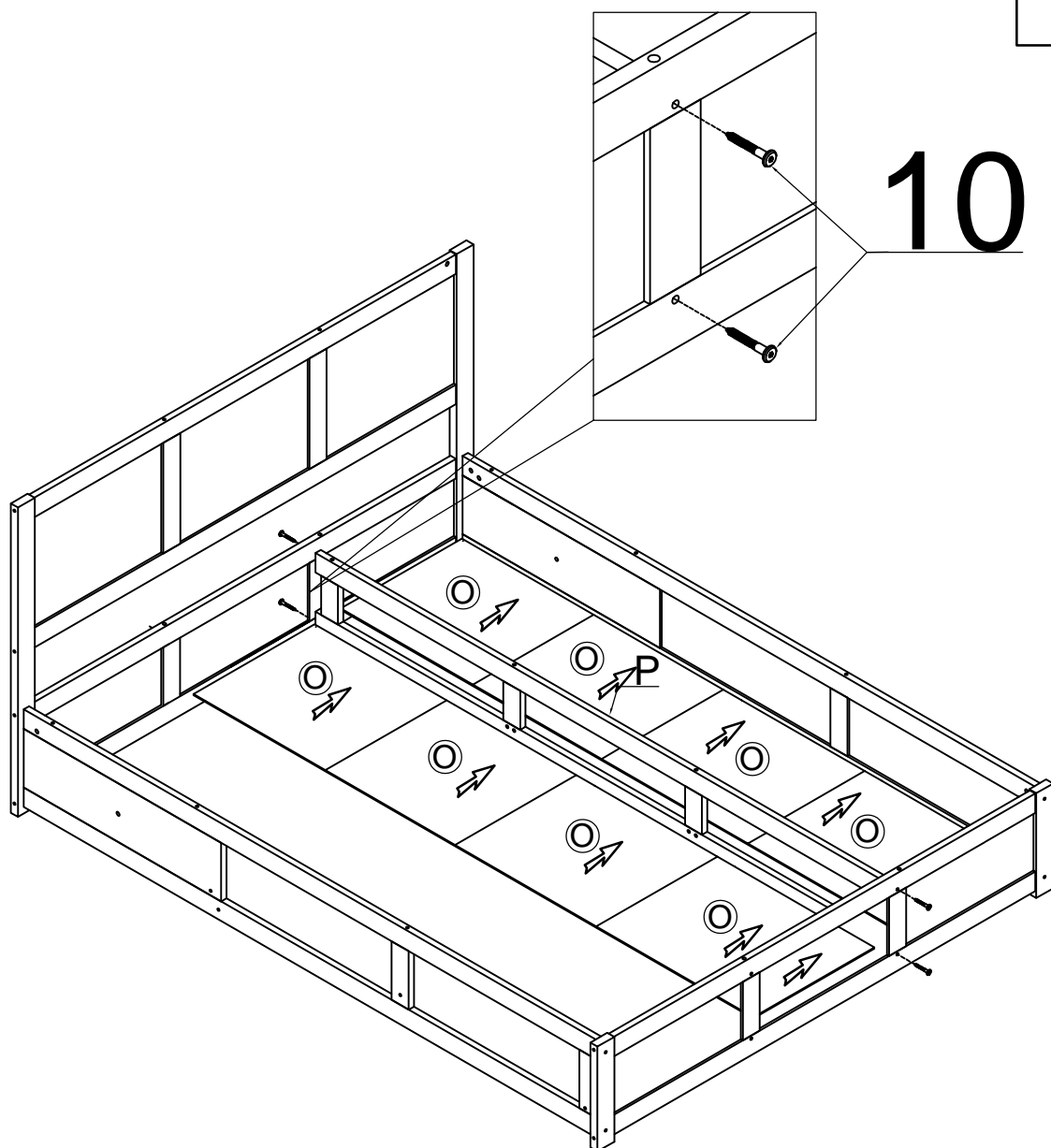
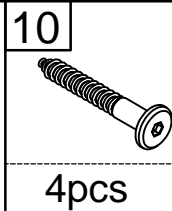


STEP 3: Following below illustration.

1	3
	
8pcs	8pcs

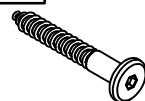


STEP 4: Following below illustration.

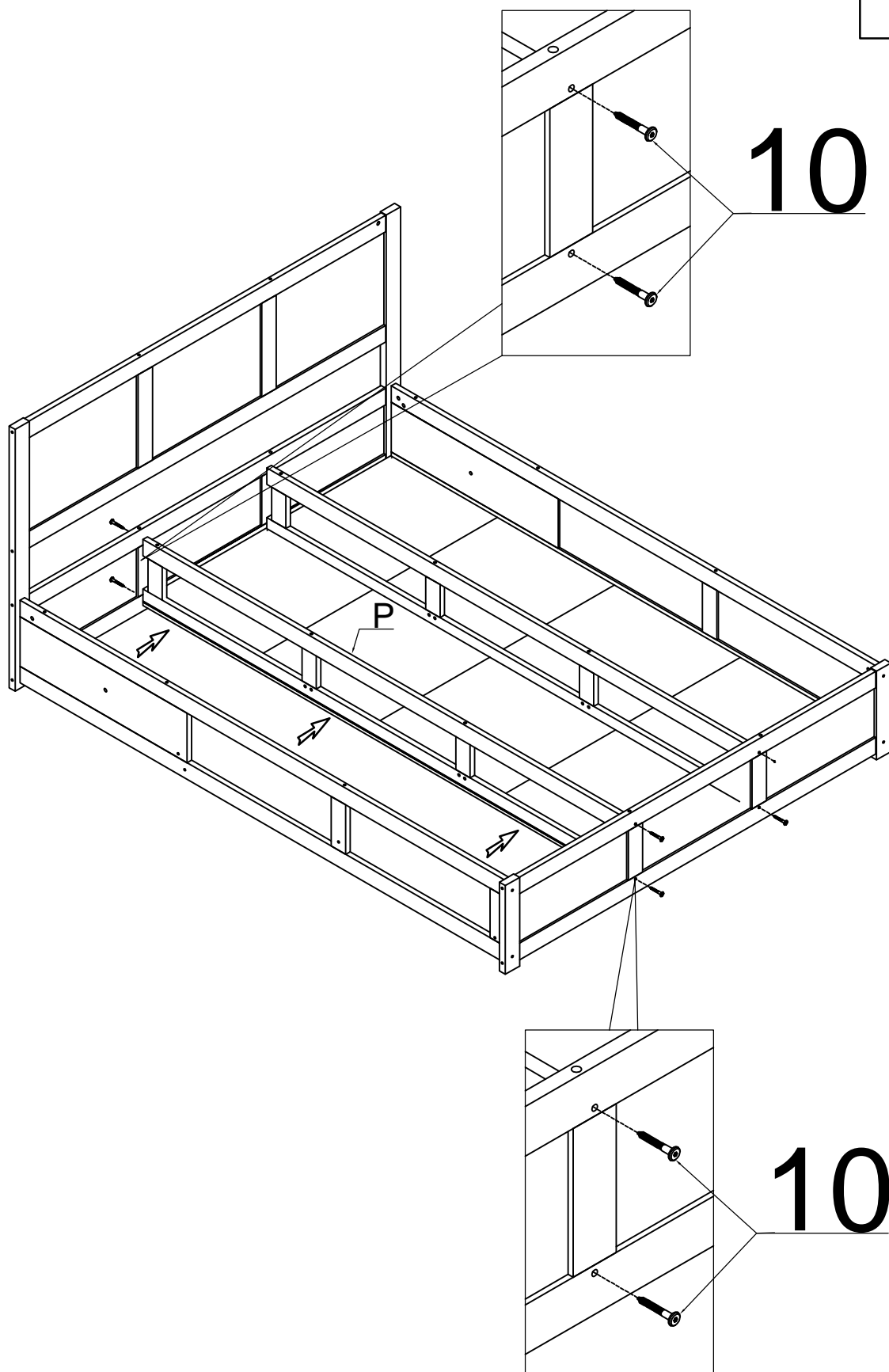


STEP 5: Following below illustration.

10

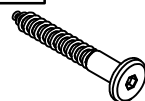


4pcs

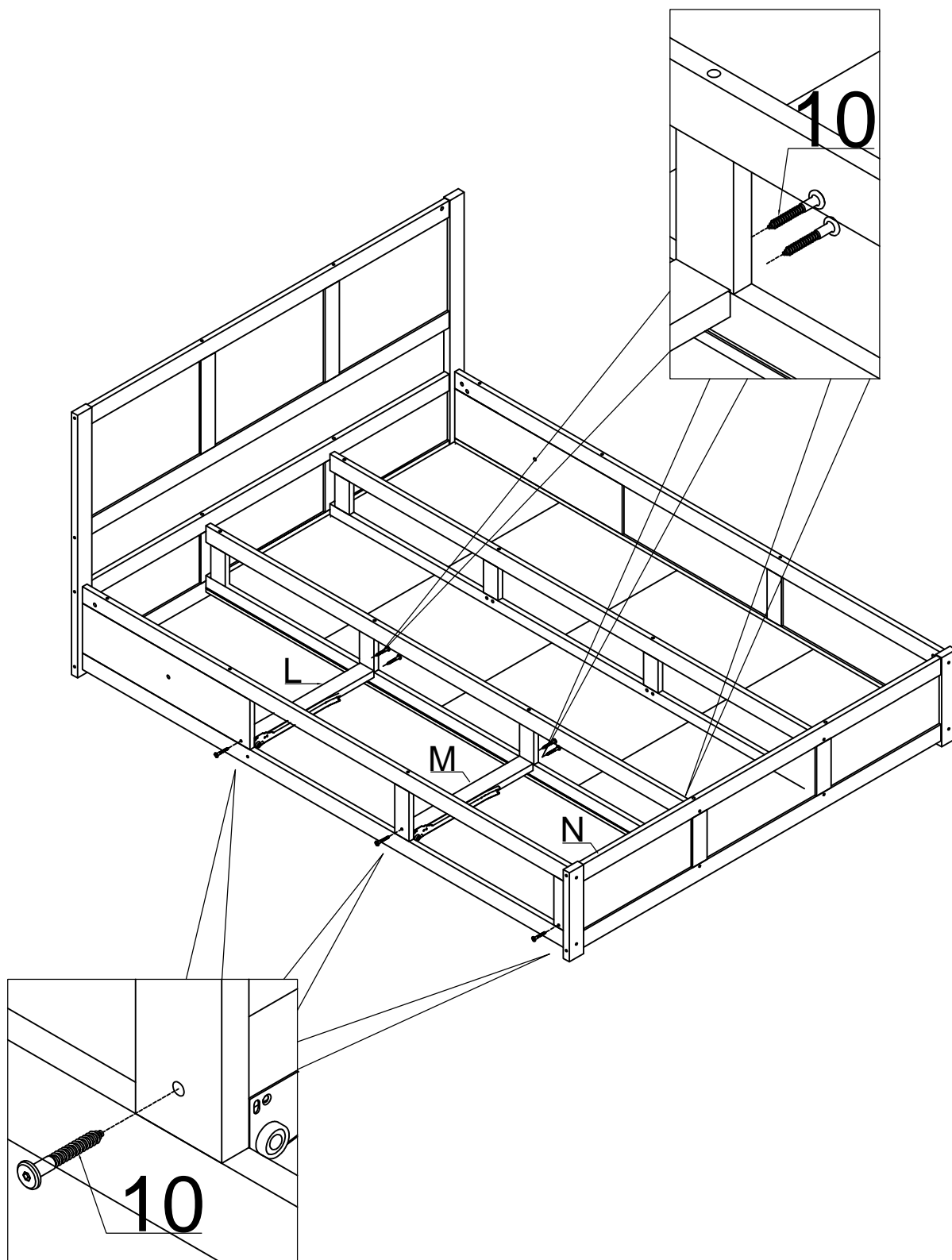


STEP 6: Following below illustration.



10

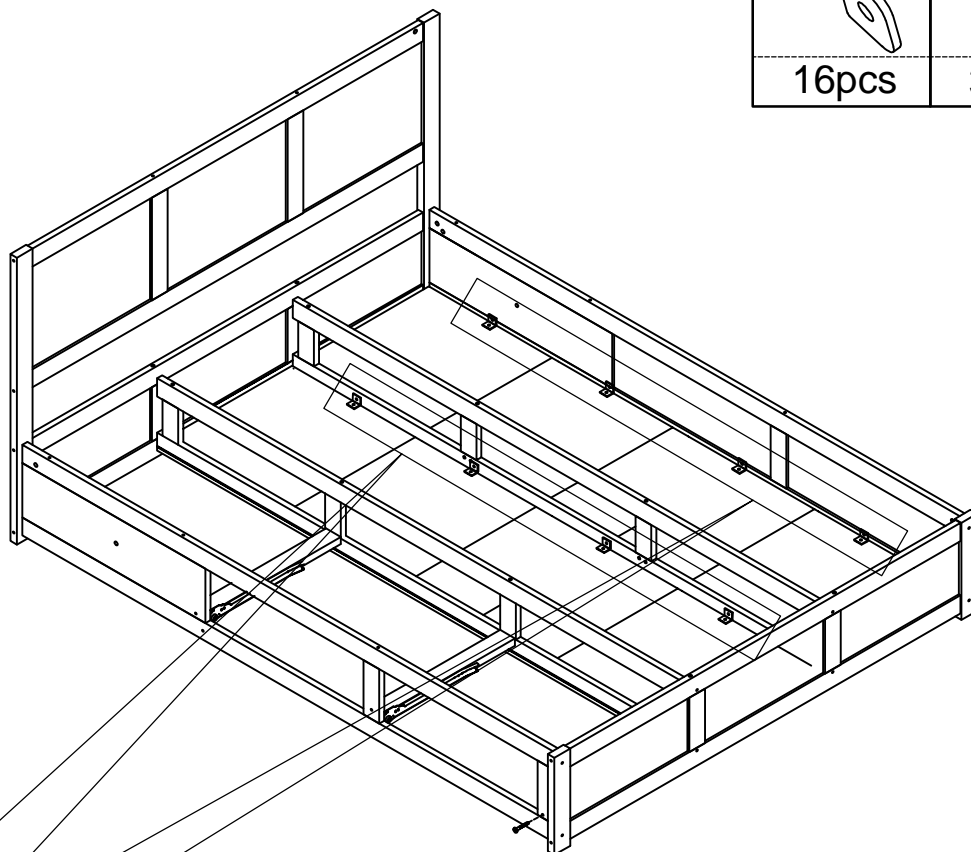


9pcs

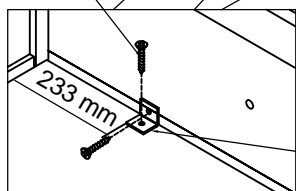


STEP 7: Following below illustration.

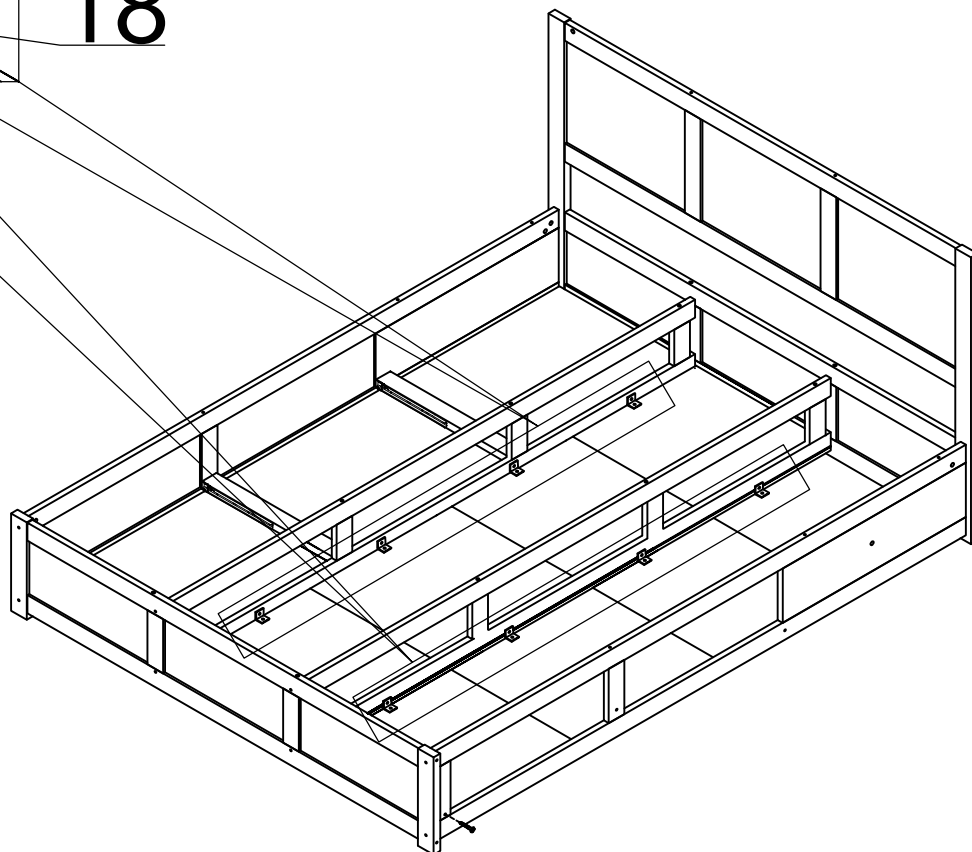
18		13	
16pcs		32pcs	



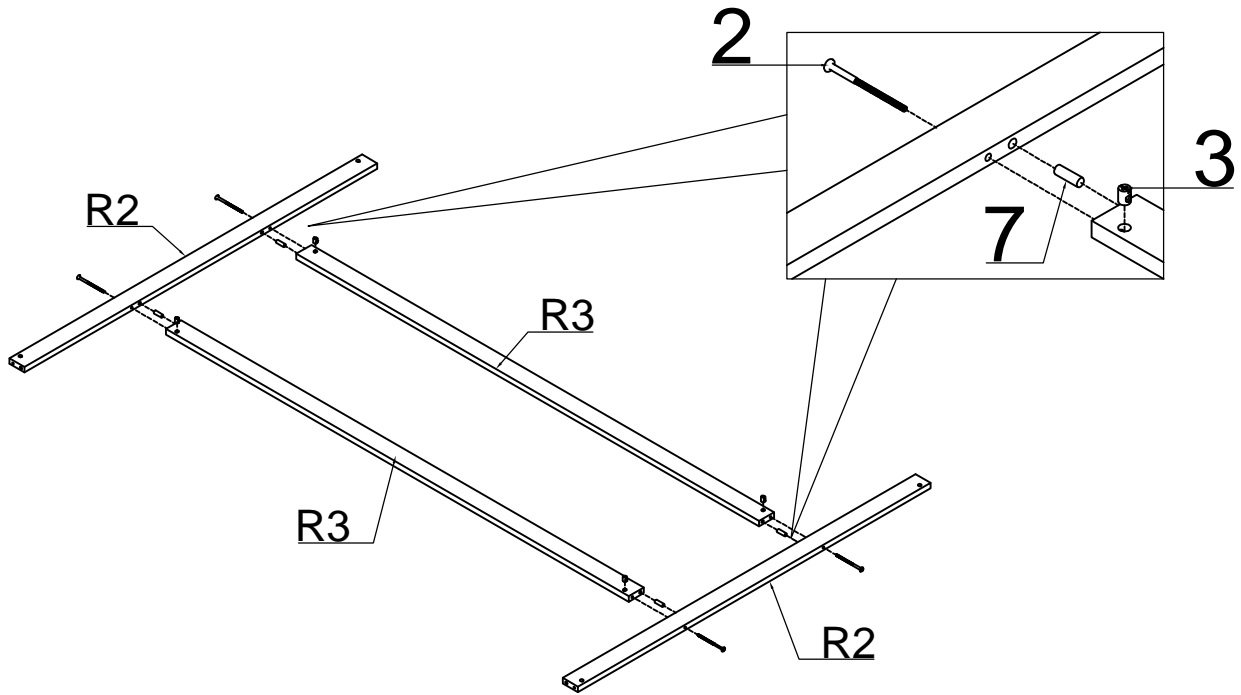
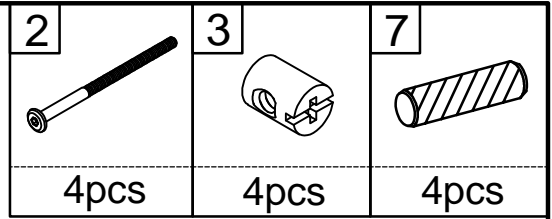
13



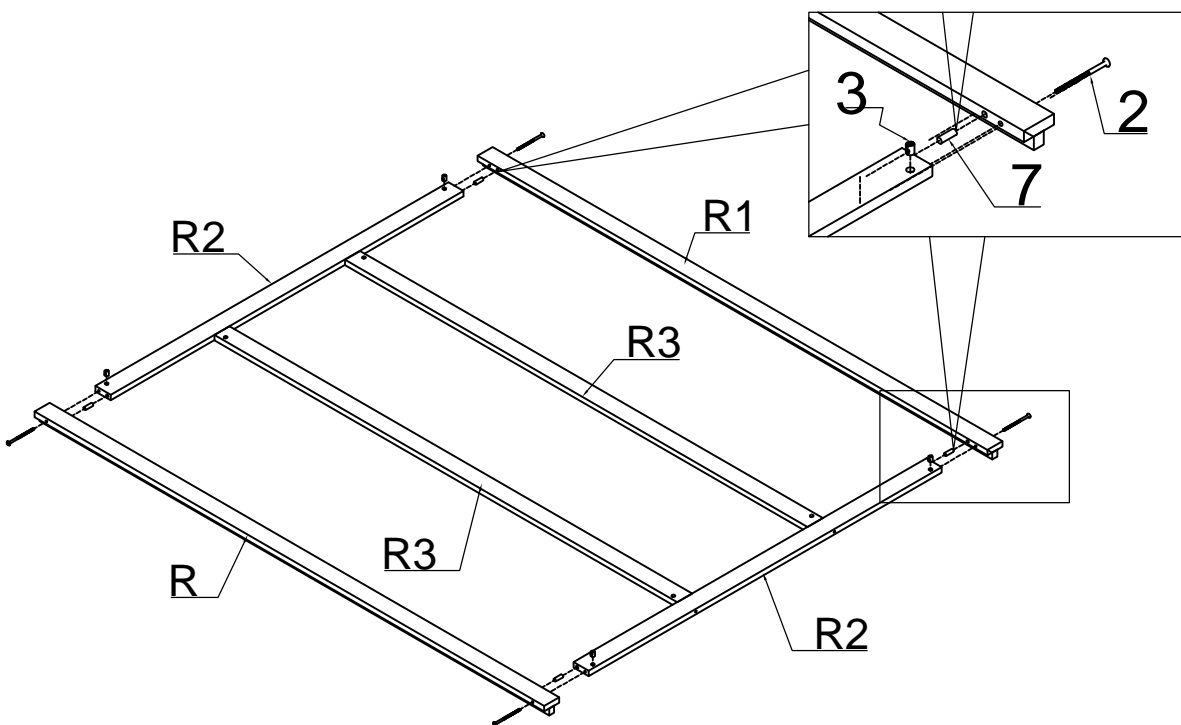
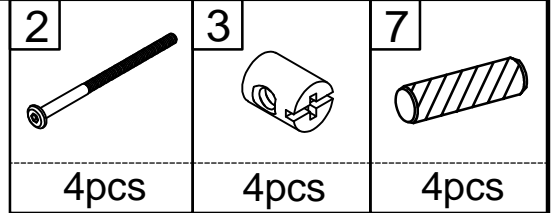
18




STEP 8: Following below illustration.

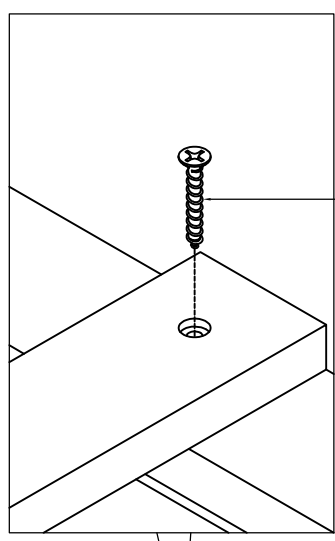


STEP 8-1: Following below illustration.

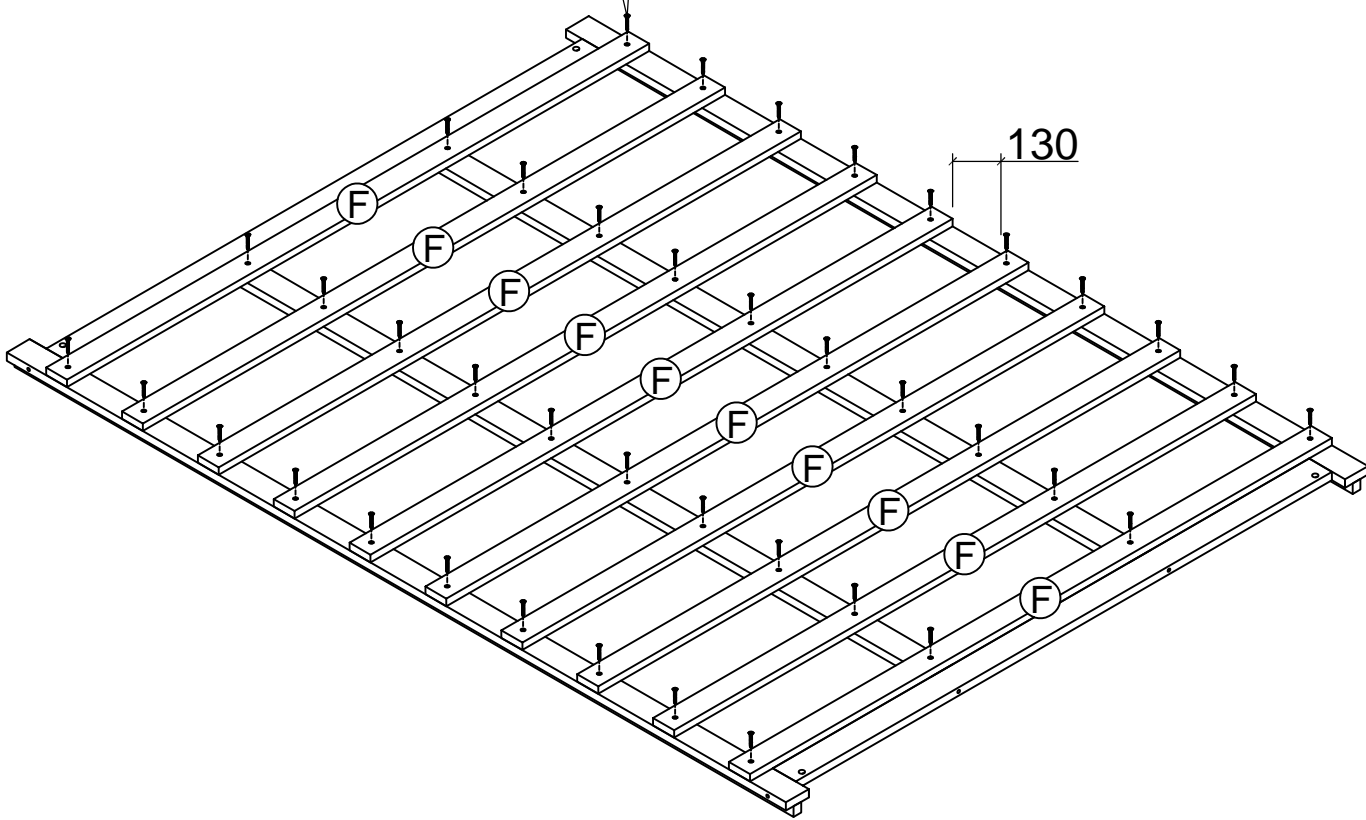


STEP 9: Following below illustration.

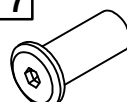
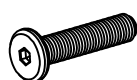
5	
40pcs	

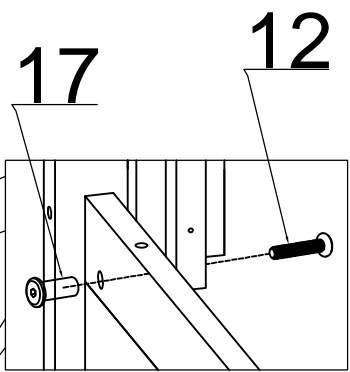
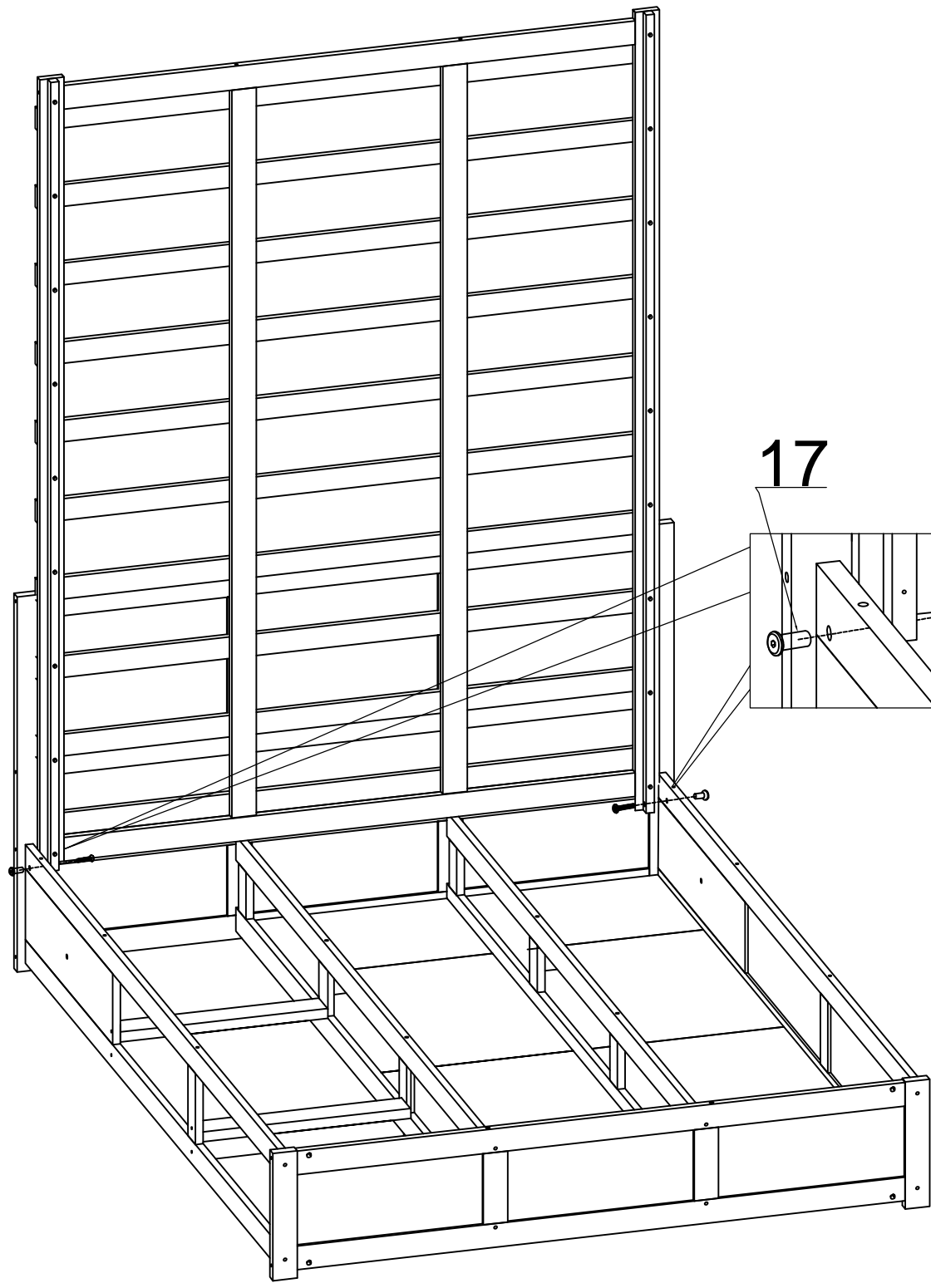


5



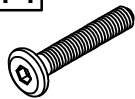
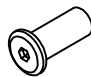



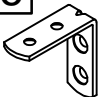
STEP 10: Following below illustration.

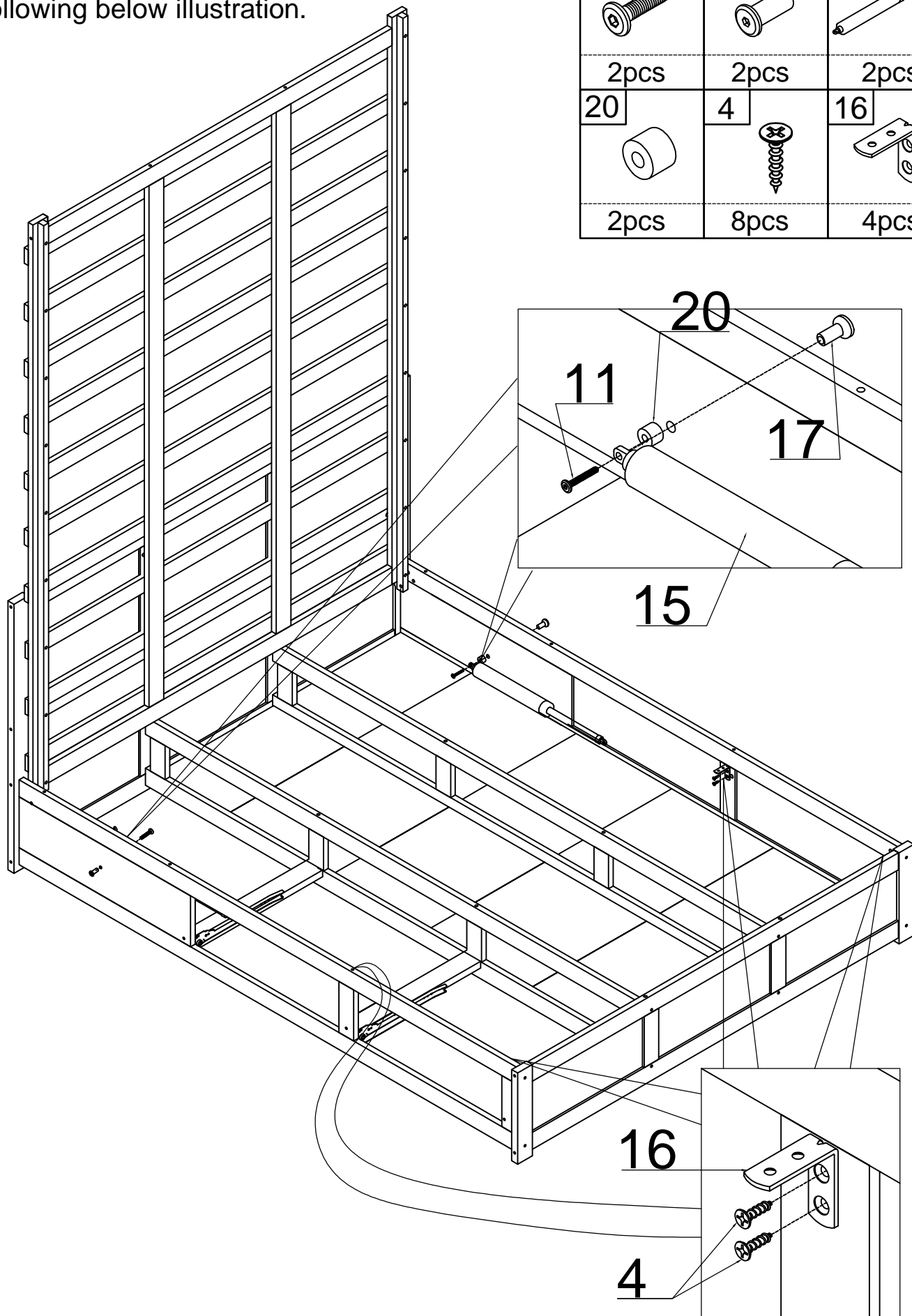
17	12
	
2pcs	2pcs



# STEP 11:

Following below illustration.

11		17		15	
2pcs		2pcs		2pcs	
20		4		16	
2pcs		8pcs		4pcs	



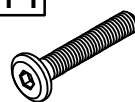
STEP 12: Following below illustration.

19

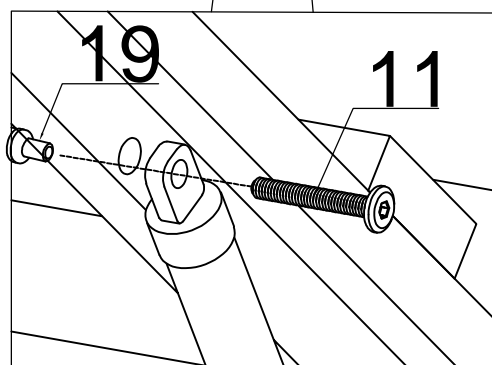
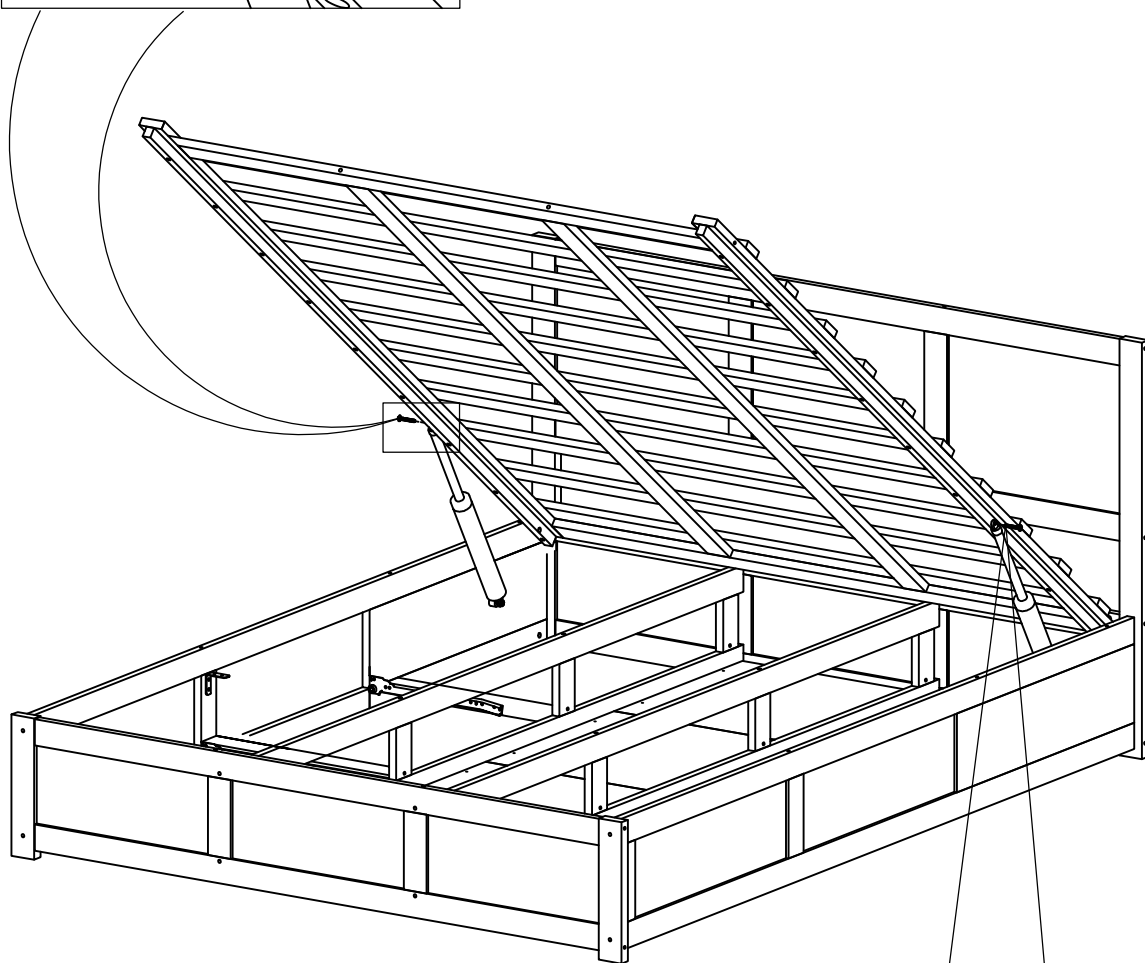
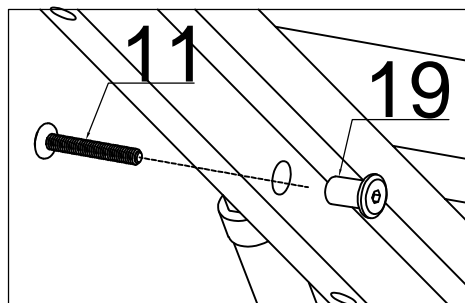


2pcs


11

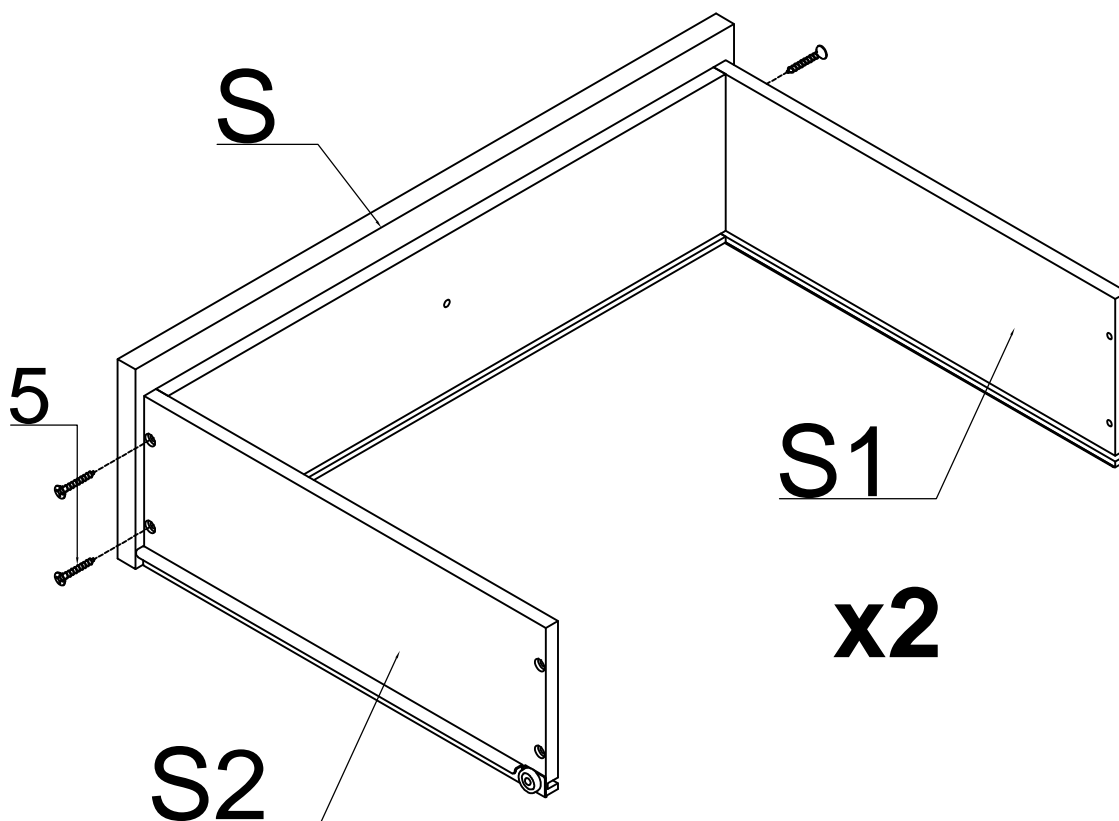


2pcs

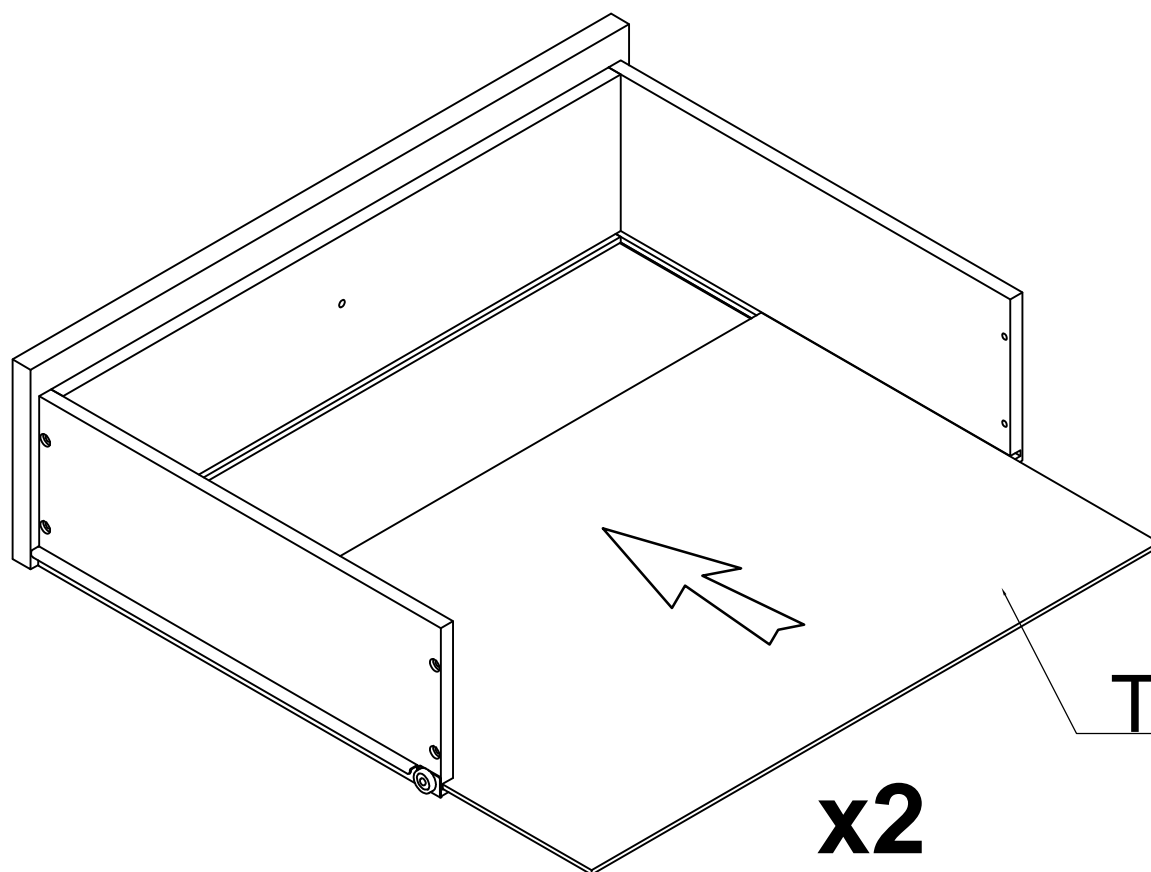


STEP 13: Following below illustration.


5	
8pcs	

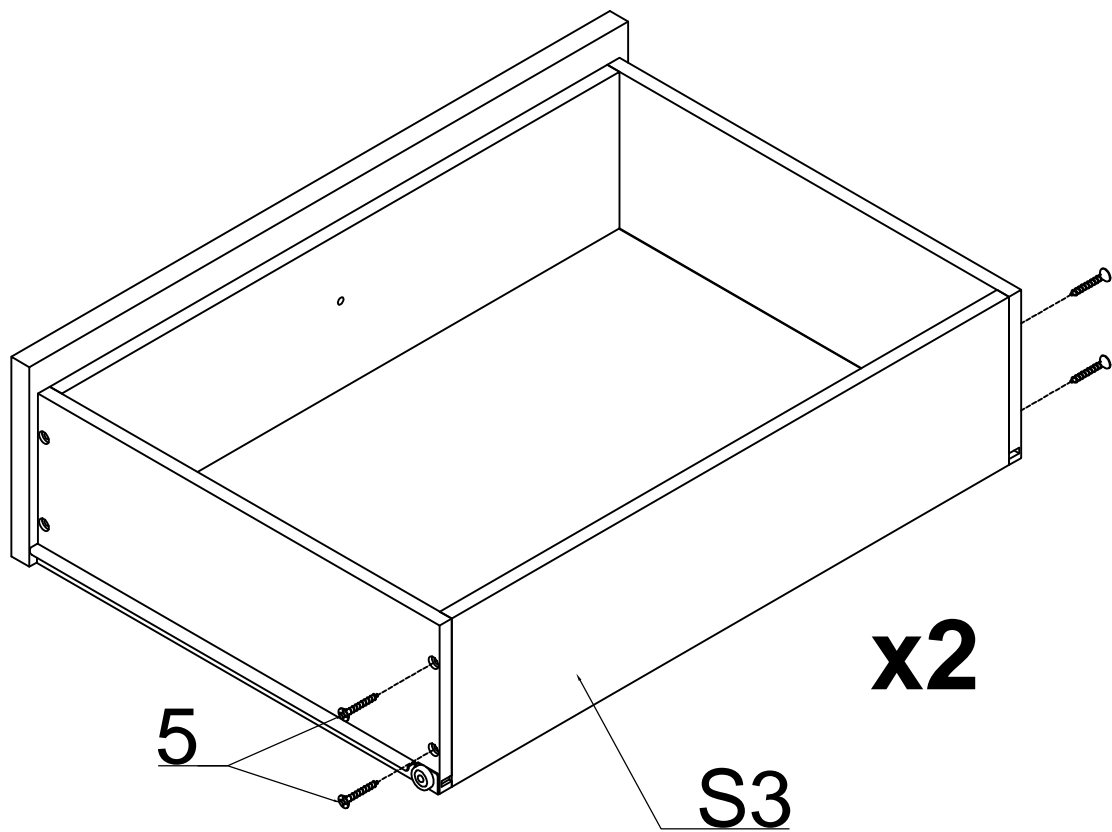


STEP 13-1: Following below illustration.





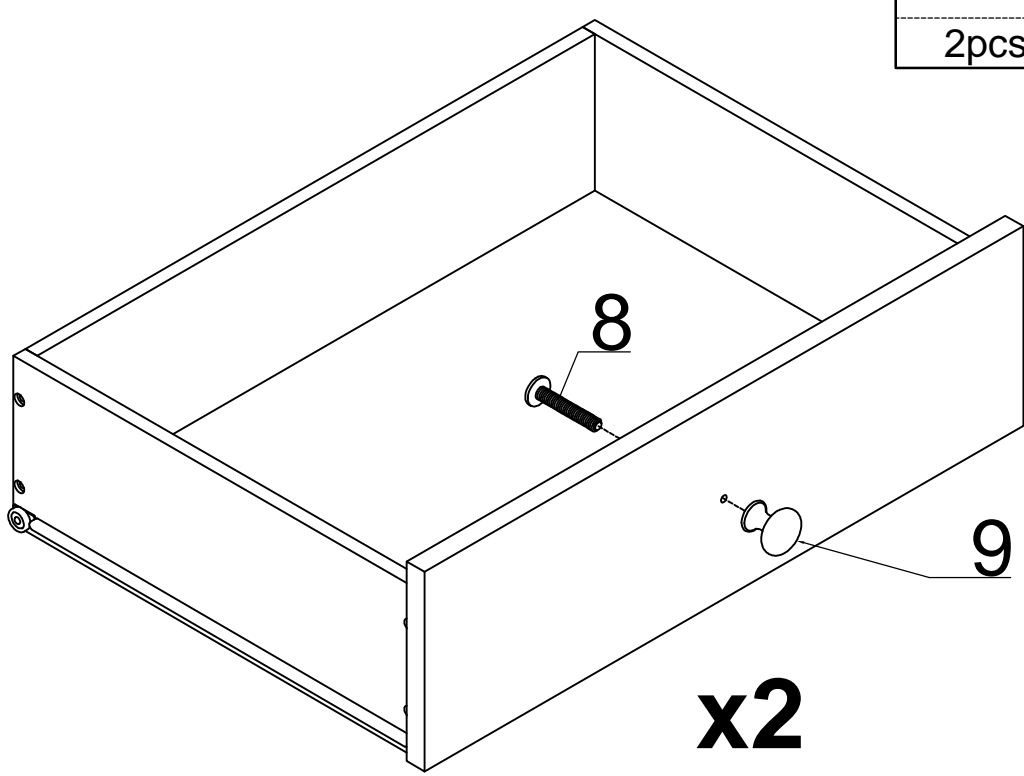
STEP 14: Following below illustration.

5	
8pcs	



STEP 14-1: Following below illustration.

8		9	
2pcs		2pcs	



# FINISH

