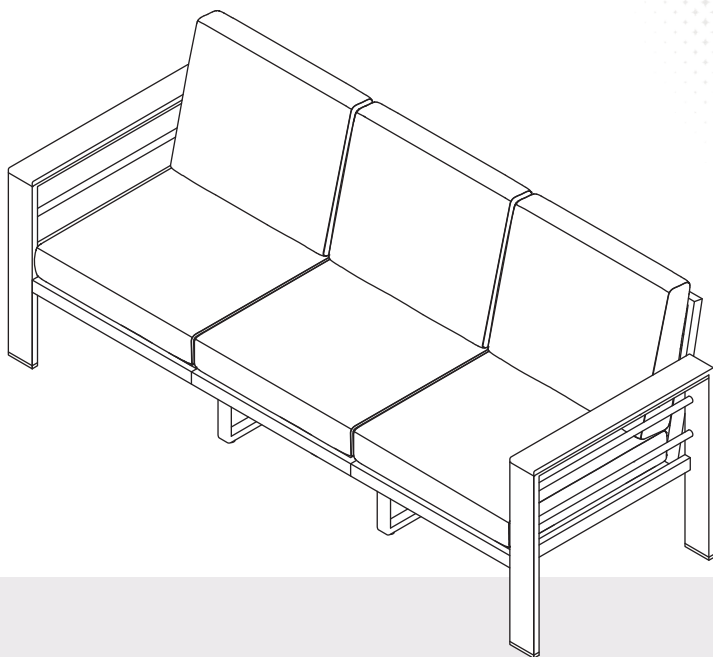


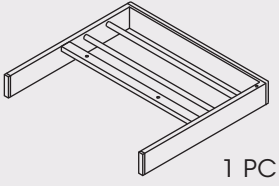
MANUAL INSTRUCTION

Aluminum three-seat sofa

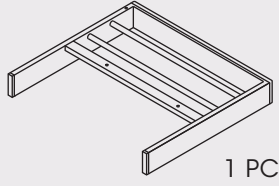


PARTS

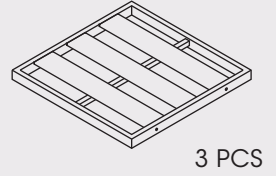
A Right Armrest



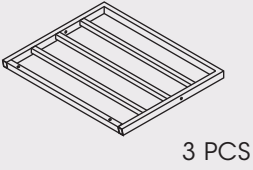
B Left Armrest



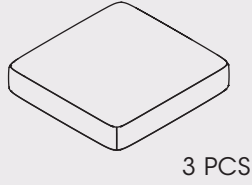
C Seat plate



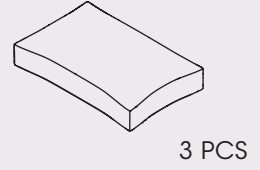
D Back plate



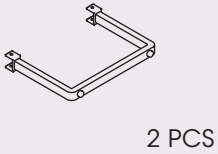
E Seat cushion



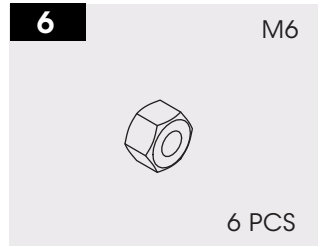
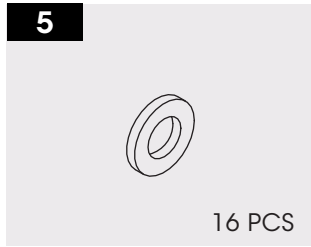
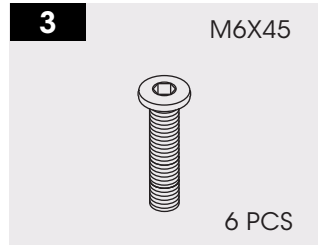
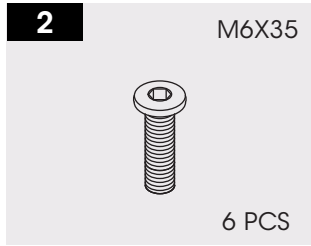
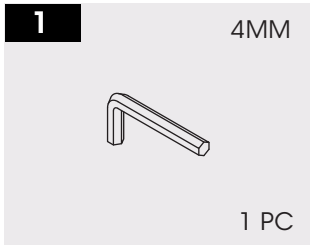
F Back cushion



G Middle leg







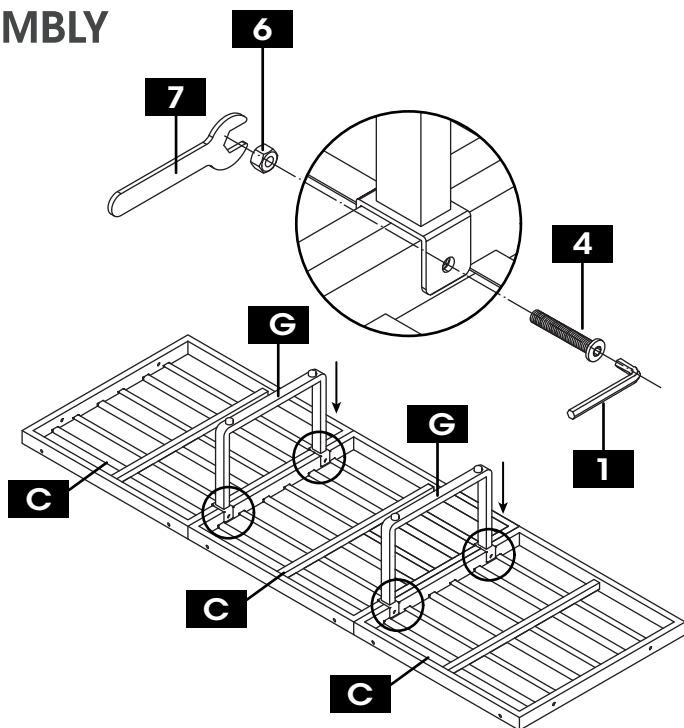
HARDWARE







I PRODUCT ASSEMBLY

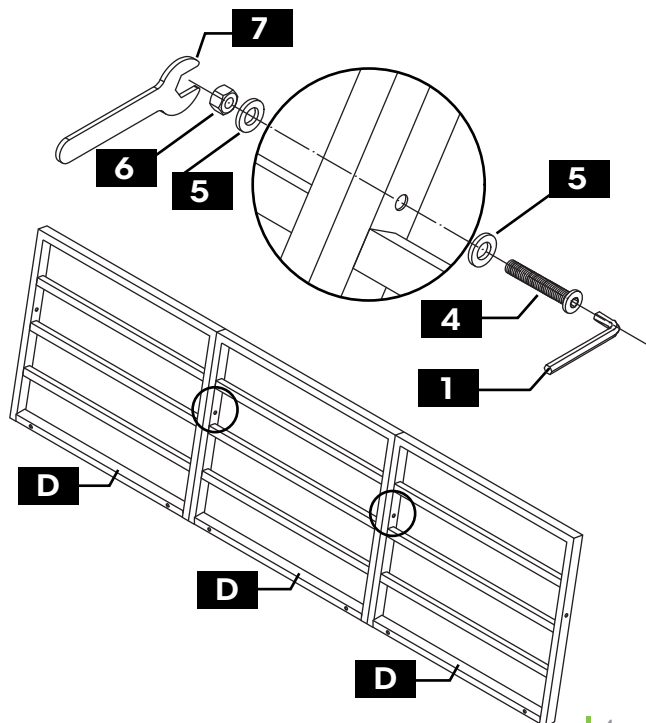
1 Step 1

PART	NO.	QTY.
	C	3
	G	2
	4	4
	6	4





2 Step 2

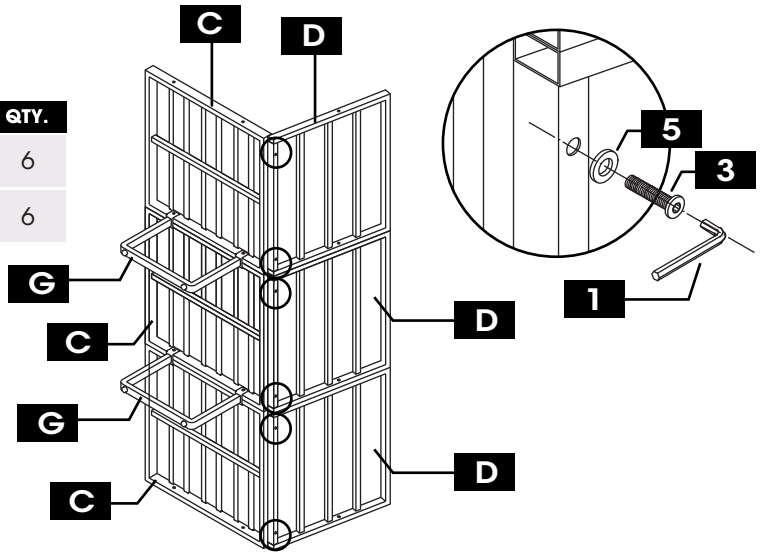
PART	NO.	QTY.
	D	3
	4	2
	5	4
	6	2





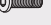
I PRODUCT ASSEMBLY

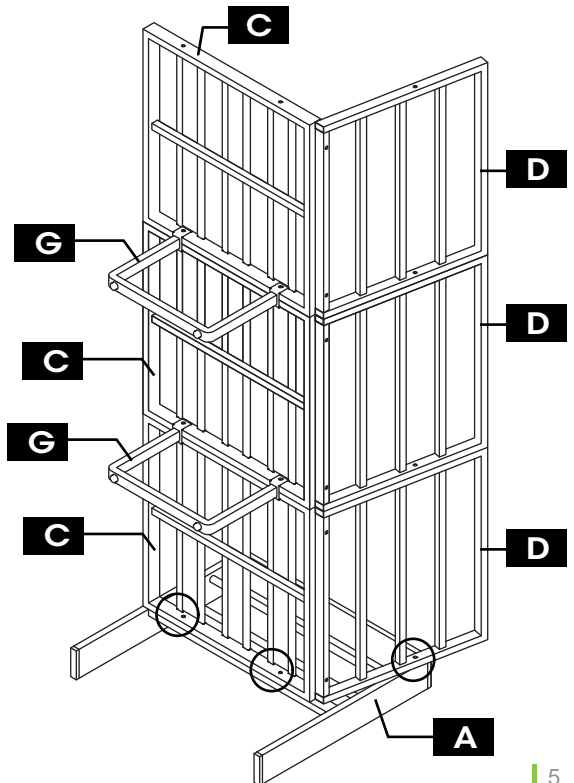
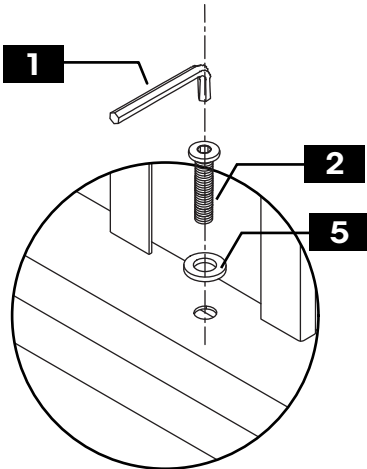
3 Step 3

PART	NO.	QTY.
	3	6
	5	6






4 Step 4

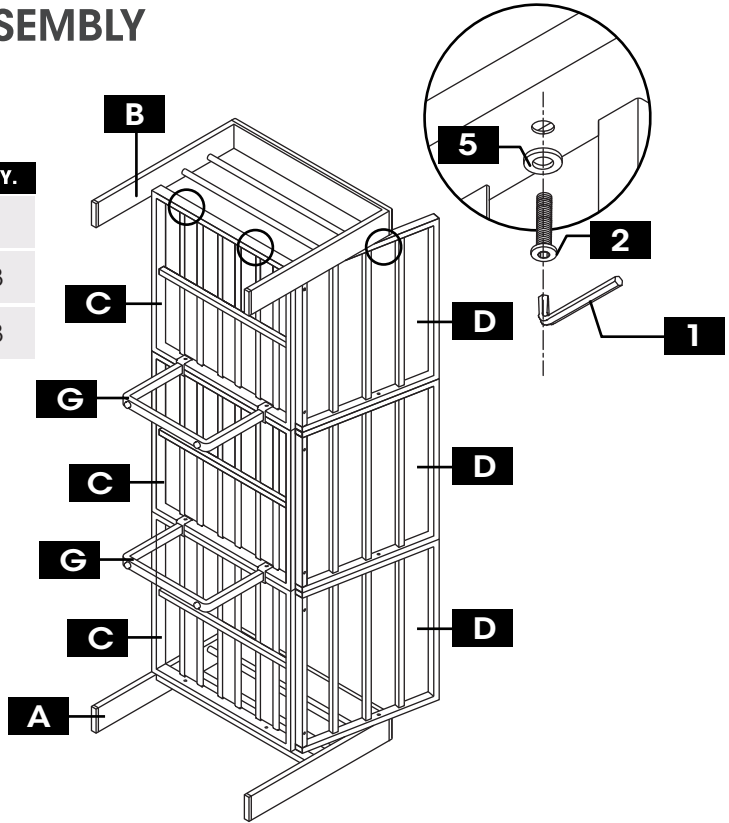
PART	NO.	QTY.
	A	1
	5	3
	2	3





I PRODUCT ASSEMBLY

5 Step 5

PART	NO.	QTY.
	B	1
	5	3
	2	3



6 Step 6

PART	NO.	QTY.
	F	3
	E	3

