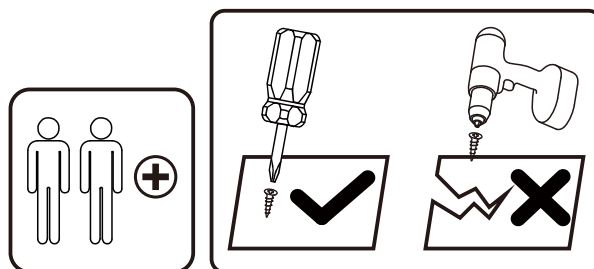
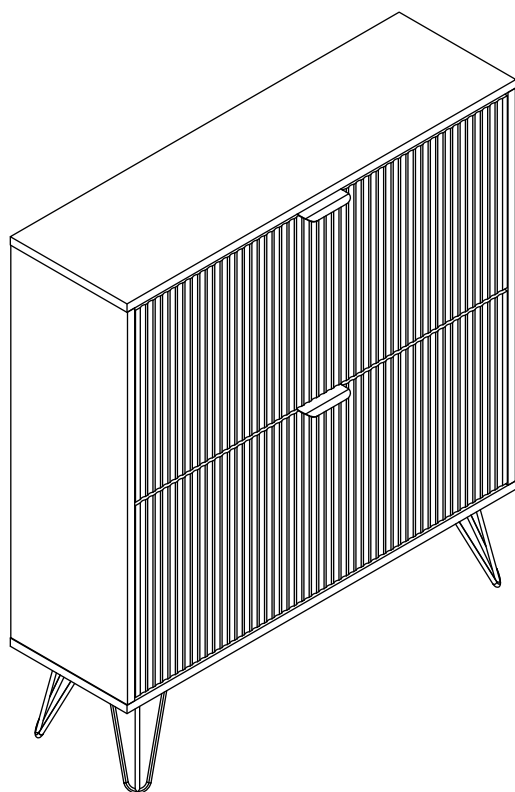


# ASSEMBLY INSTRUCTIONS

Customer Service : [cs@nbrehome.com](mailto:cs@nbrehome.com)



## Tools Recommended

THIS INSTRUCTIONS CONTAINS IMPORTANT SAFETY INFORMATION.  
PLEASE READ BEFORE ASSEMBLY AND KEEP FOR FUTURE REFERENCE.

Need Parts or Assistance? Email us : [cs@nbrehome.com](mailto:cs@nbrehome.com)

# IMPORTANT NOTICE

- This product contains small components, please ensure that they are kept away from small children.
- THIS INSTRUCTIONS CONTAINS IMPORTANT SAFETY INFORMATION. PLEASE READ BEFORE ASSEMBLY AND KEEP FOR FUTURE REFERENCE.
- Read each step carefully. It is very important that each step of instruction is performed in the correct order. If these steps are not followed in sequence, assembly difficulties will occur.
- Make sure all parts are included. Most parts are labelled or stamped on the raw edge.
- Work in spacious area, preferably on a carpet, near the place the unit will be used.
- Do not use power tools to assemble your furniture. Power tools may strip or damage the parts.
- Move your new furniture carefully, with two people lift and carry the unit to it's new location.
- Never push, drag or pull your furniture (especially on carpet)



## PLEASE DO NOT RETURN PRODUCT TO US IMMEDIATELY

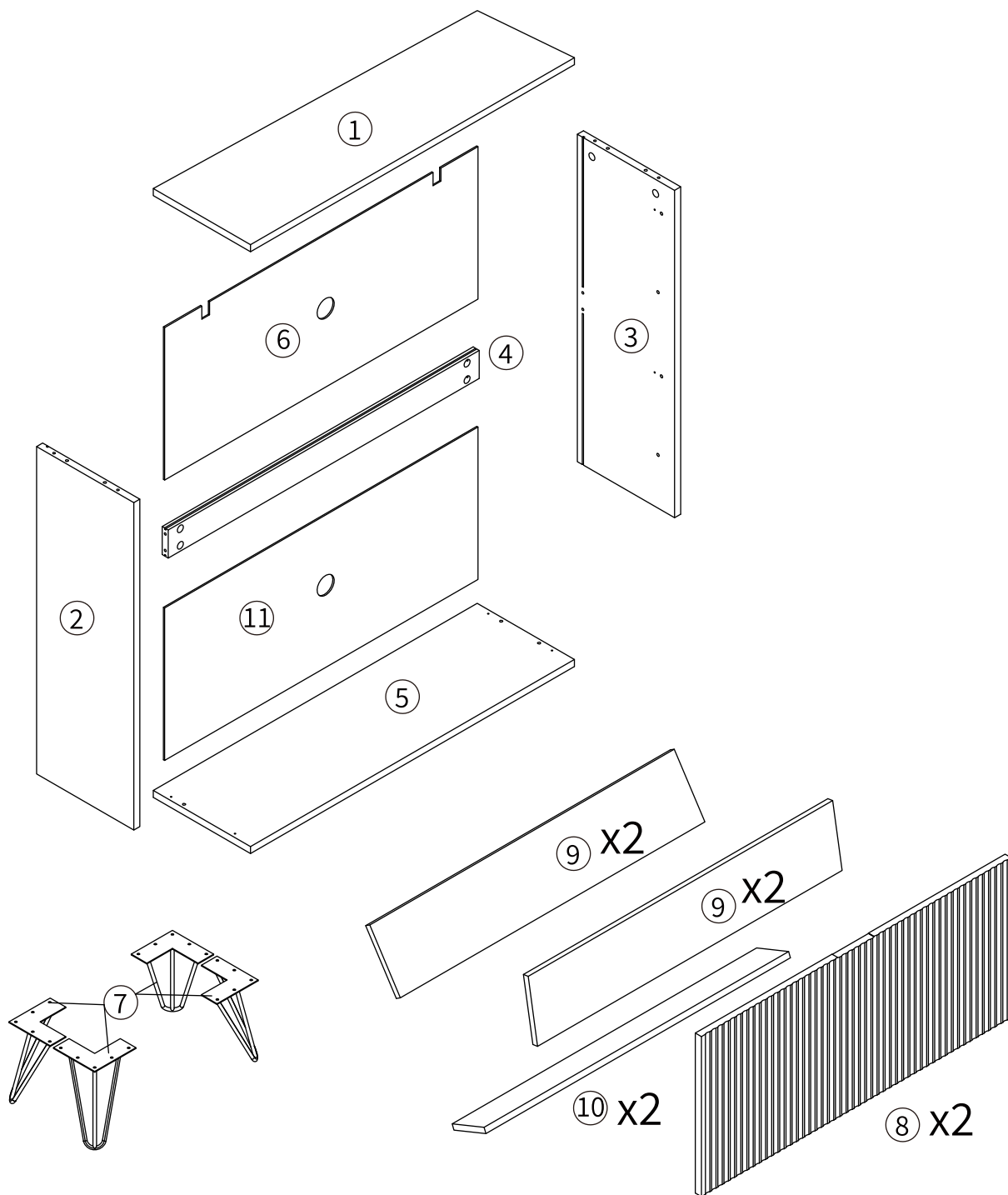
If a part is missing or damaged, email our customer service. We will gladly ship your replacement parts FREE of charge.





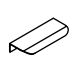














Need Parts or Assistance? Email us : [cs@nbrehome.com](mailto:cs@nbrehome.com)

For Prompt, reliable service, please have your assemble instruction ready

 <b>WARNING</b>	
	<b>Children have died from furniture tipover. To reduce the risk of furniture tipover:</b> <ul style="list-style-type: none"><li>• ALWAYS install anti-tip device provided.</li><li>• NEVER put a TV on this product.</li><li>• NEVER allow children to stand, climb or hang on any drawers, doors, or shelves.</li><li>• NEVER open more than one drawer at a time.</li><li>• Place heaviest items in the lowest drawers.</li></ul>
	<p>This is a permanent label. Do not remove!</p>

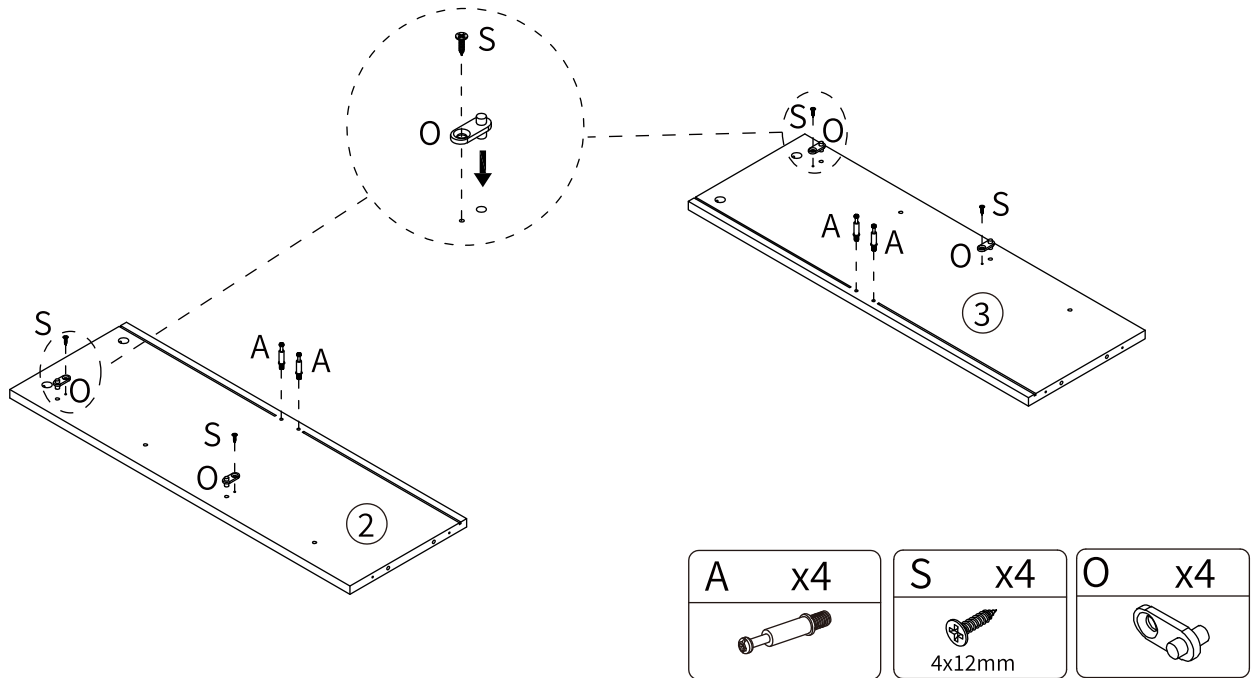
The installation direction should be aligned with the instructions to prevent plate breakage caused by product tipping during installation.



A x8  6x35mm	B x8 	C x8  6x30mm	D x4  4x40mm	E x2 	F x4  3x12mm	G x16  3x14mm
H x16 	I x2 	J x22  4x12mm	K x2  4x35mm	L x2 	M x2 	N x4  6x12mm
O x4 	P x4 	Q x24  4x14mm	R x2 	S x4  4x12mm		

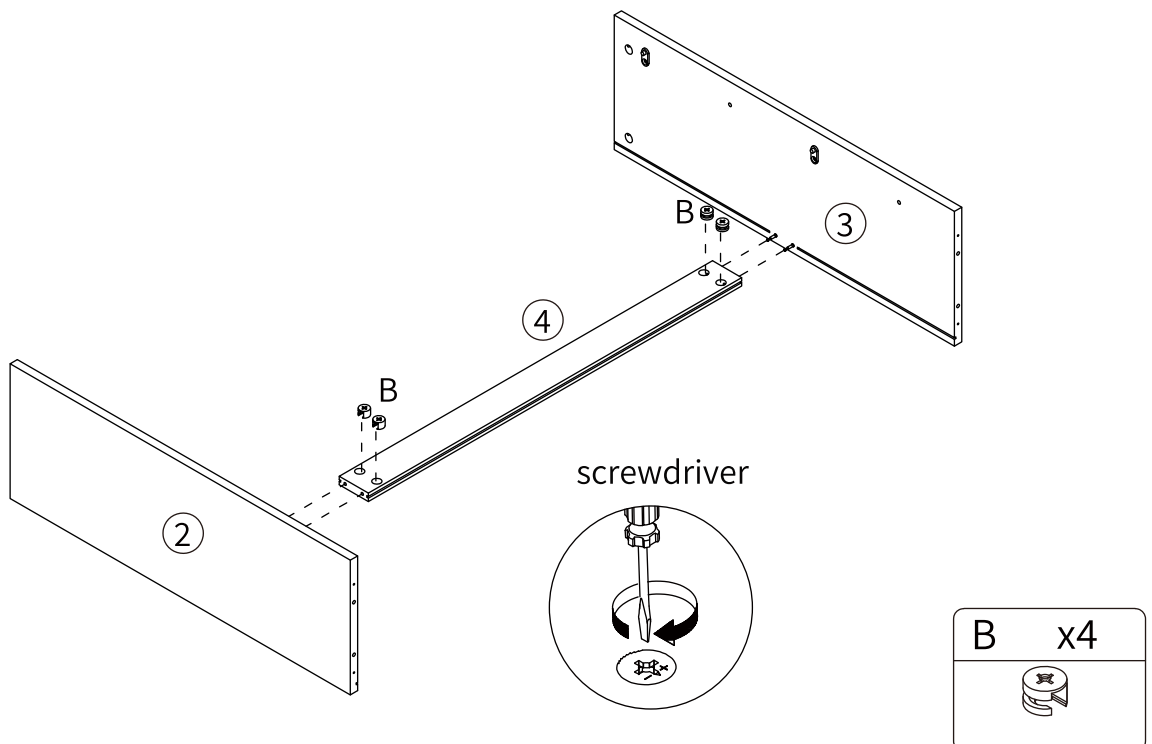
## Step 1

Install the screw (A) on the side panel ② & ③. Put parts (O) into the side panel ② & ③ and secure with the screw (S), the position per below shown.



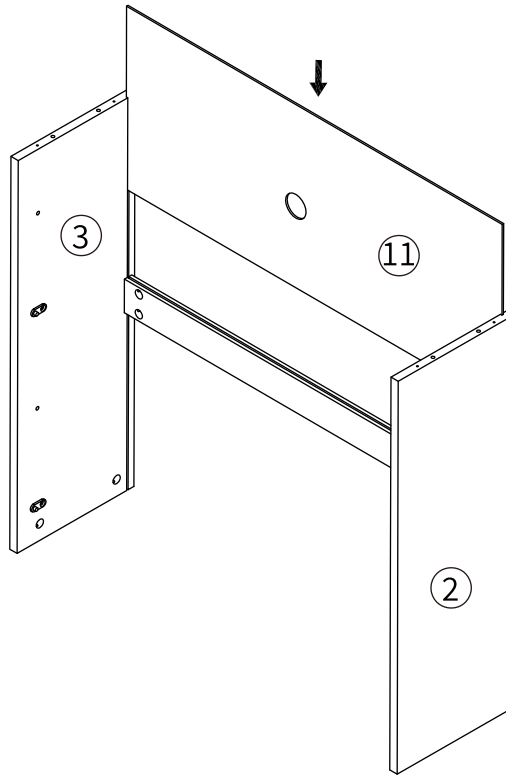
## Step 2

Connect part ② & ③ & ④ with cam lock (B), insert cam lock (B) into the corresponding holes on part ④ and use a screwdriver to turn it clockwise to tighten, the installation position is as shown.



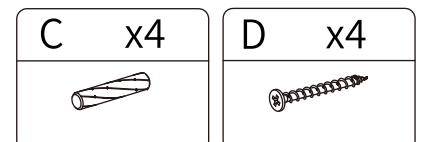
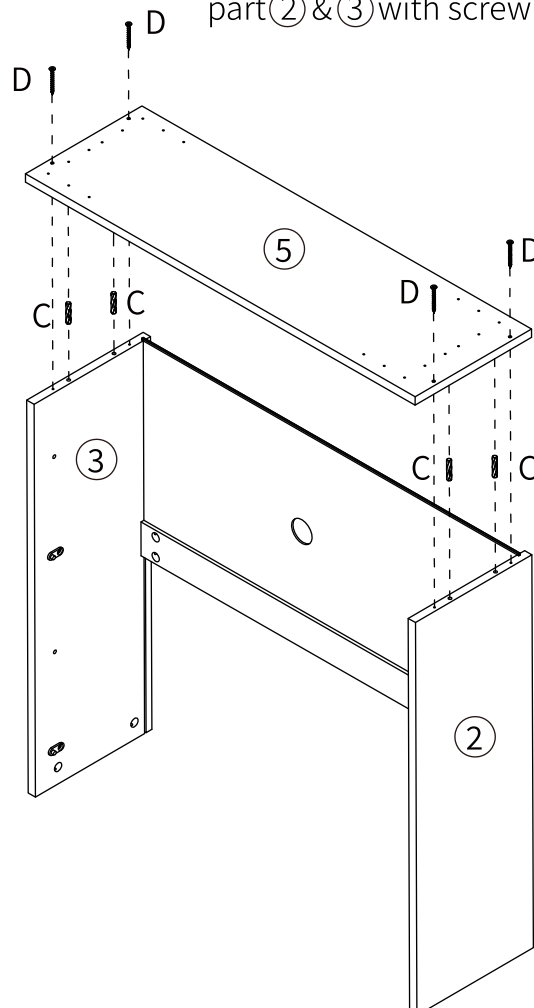
## Step 3

Insert part ⑪ along the slot, the position is as shown.



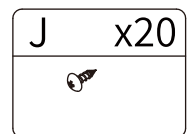
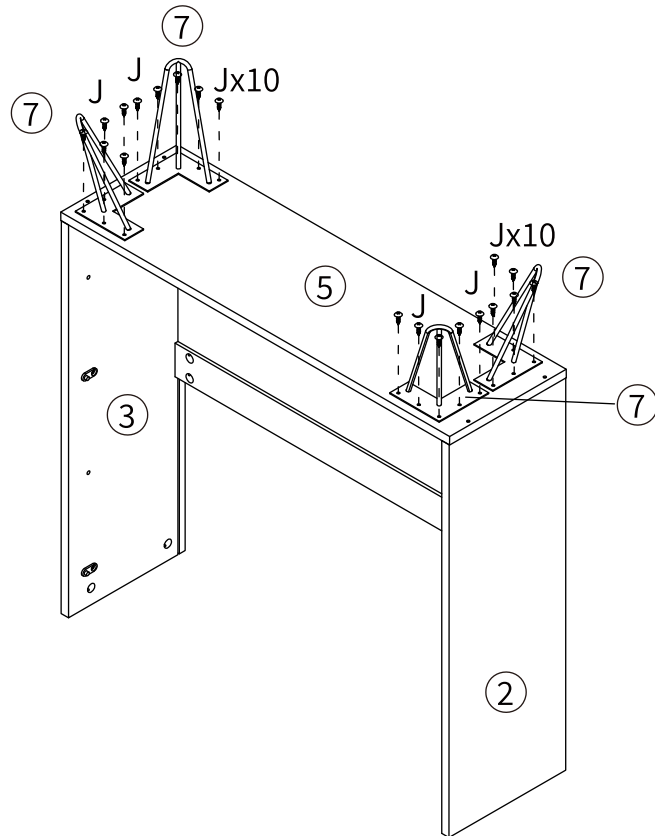
## Step 4

Insert the dowel (C) on part ② & ③, connect part ⑤ to part ② & ③ with screw (D).



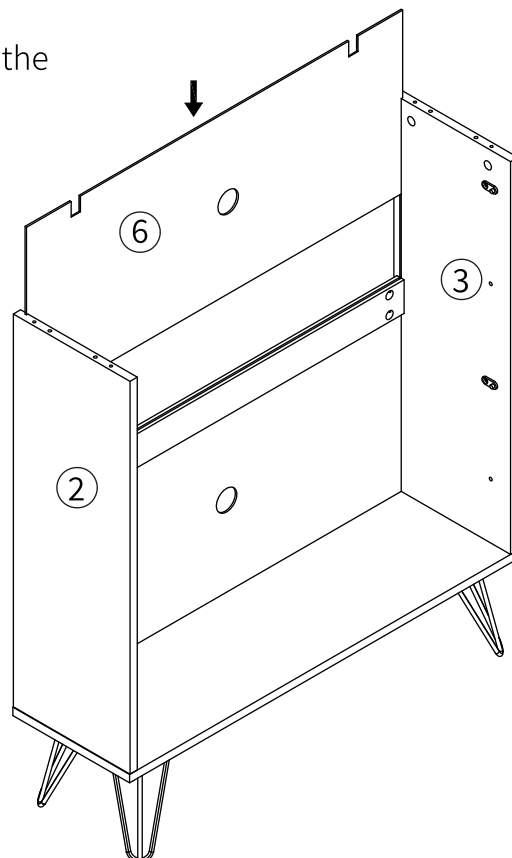
## Step 5

Attached metal feet ⑦ on bottom panel ⑤ with the screw (J).



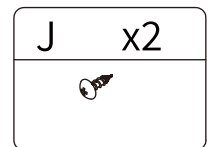
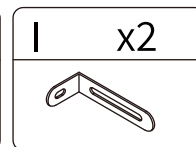
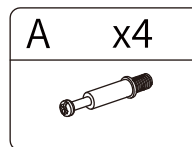
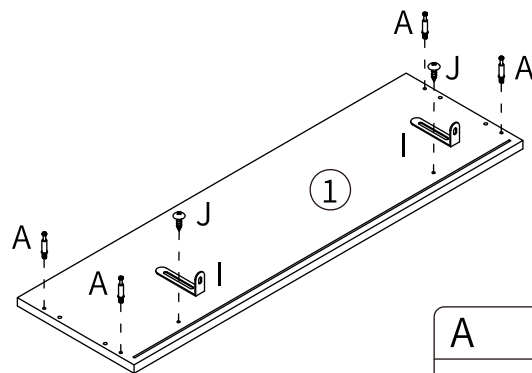
## Step 6

Insert part ⑥ along the slot, the position is as shown.



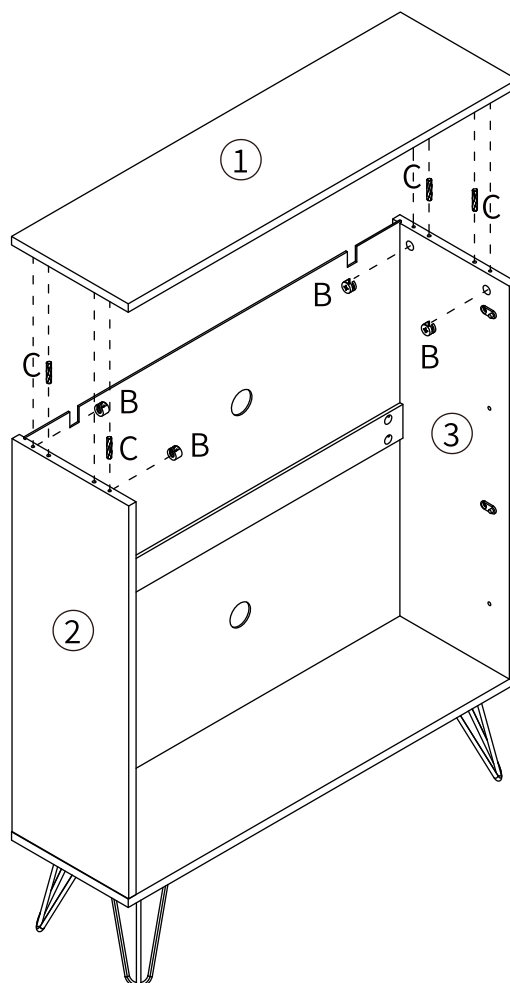
## Step 7

Install the screw (A) on the part ①, fasten the L-shaped iron piece (I) to the panel ① with screw (J).

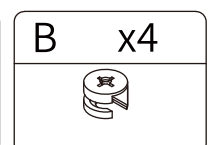
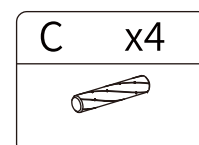
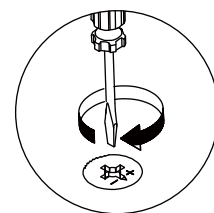


## Step 8

Insert the dowel (C) on part ② & ③, then connect part ② & ③ and part ① with cam lock (B), put the cam lock (B) into the corresponding holes on part ② & ③ and use a screwdriver to turn it clockwise to tighten, the installation position is as shown below.

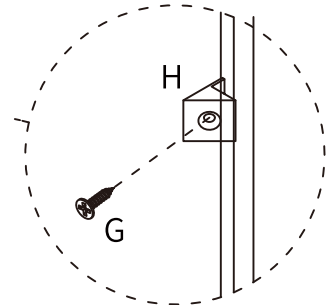
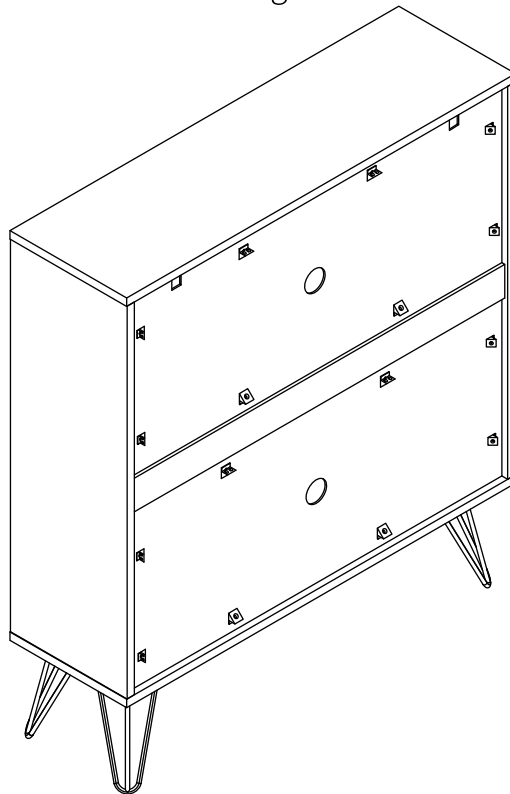




screwdriver



## Step 9

Use the screws in component (G)& (H) to fasten the back plate buckle.  
The installation position is as shown in the figure below.

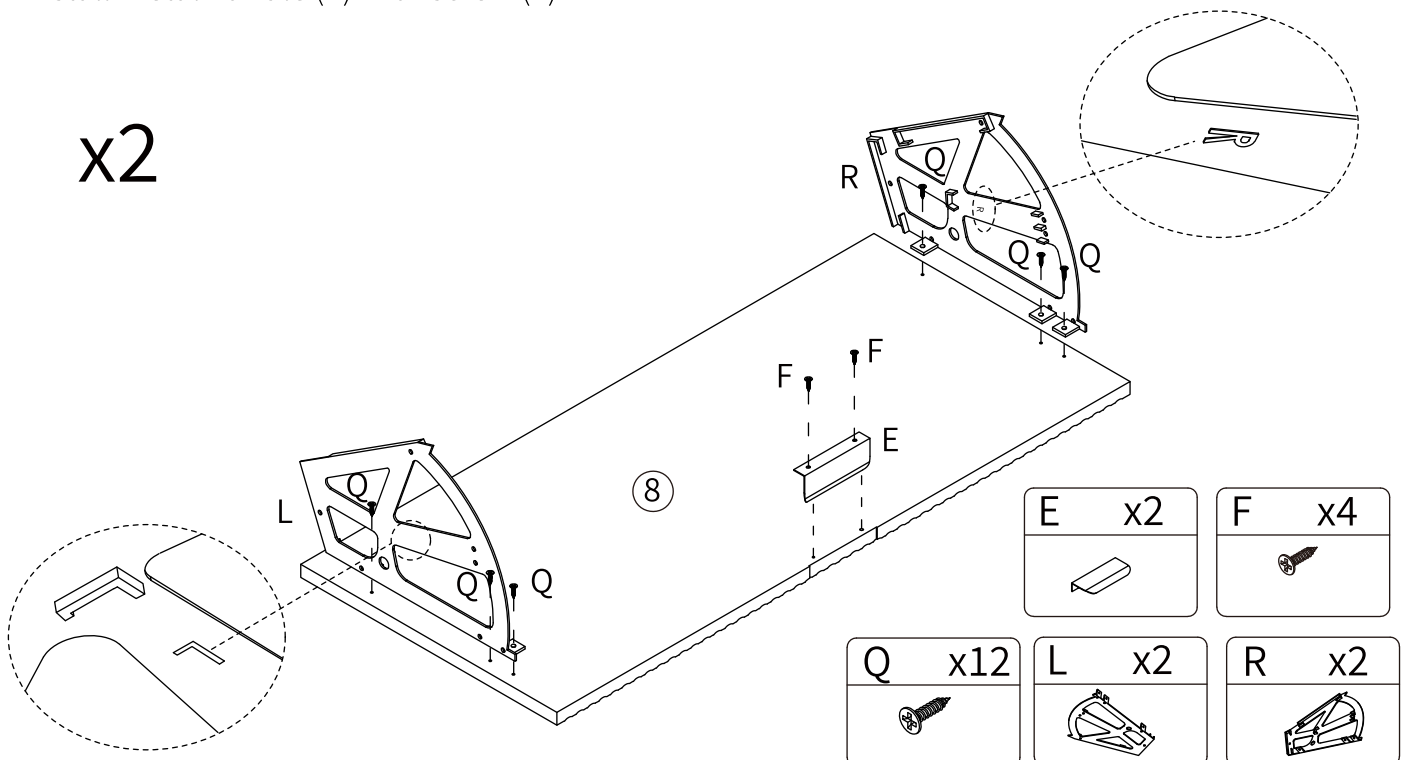







G x16	H x16
	

## Step 10

Put (L) & (R) on front panel ⑧ per below figure shown and secure with screw (Q).  
Install metal handle (E) with screw (F)

x2

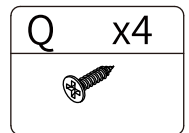
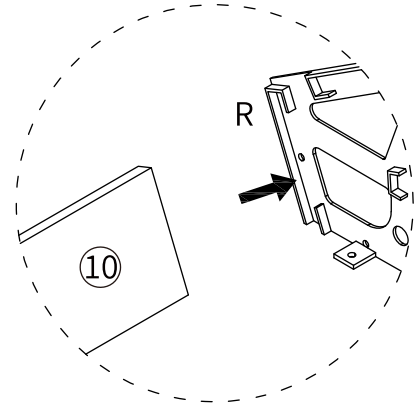
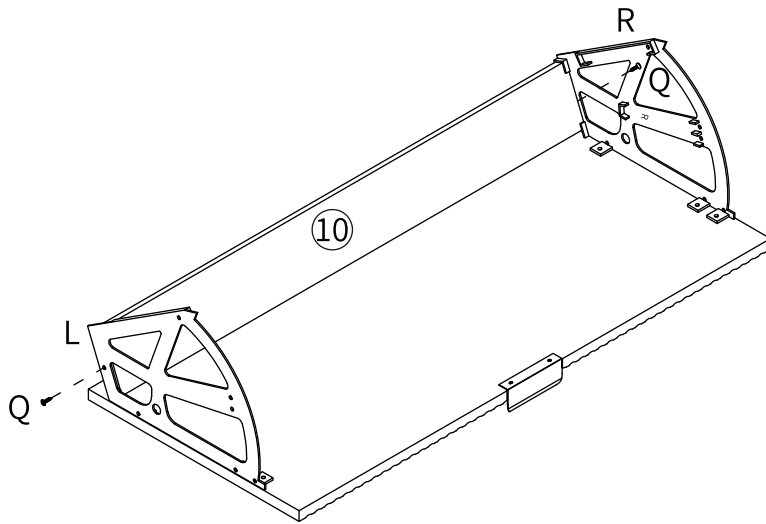


E x2	F x4	
		
Q x12	L x2	R x2
		

## Step 11

Put panel ⑩ into (L) & (R) and secure with screw (Q) from both ends.

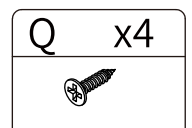
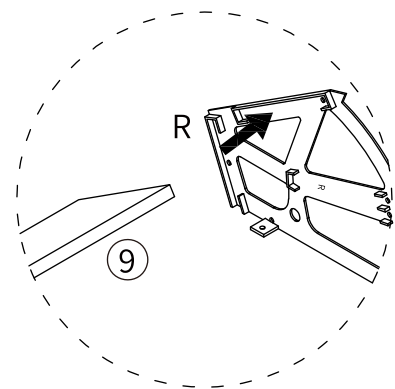
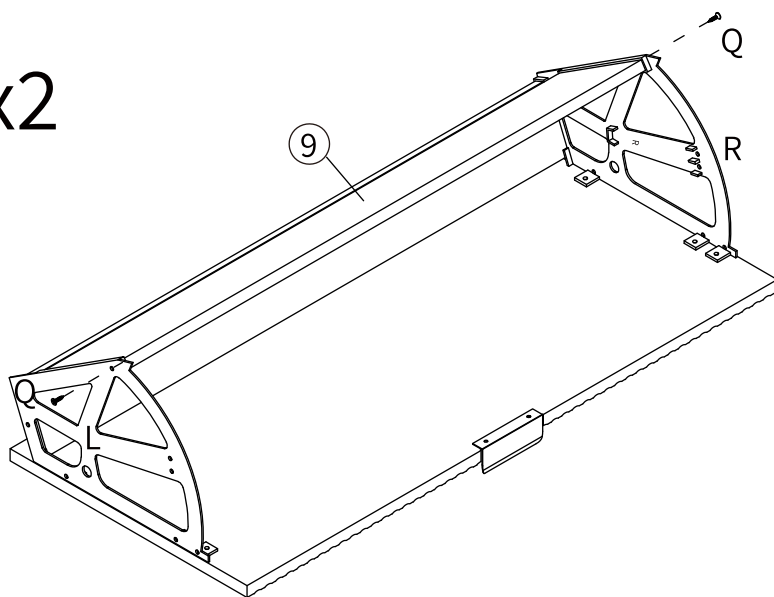
x2



## Step 12

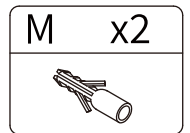
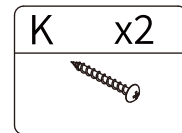
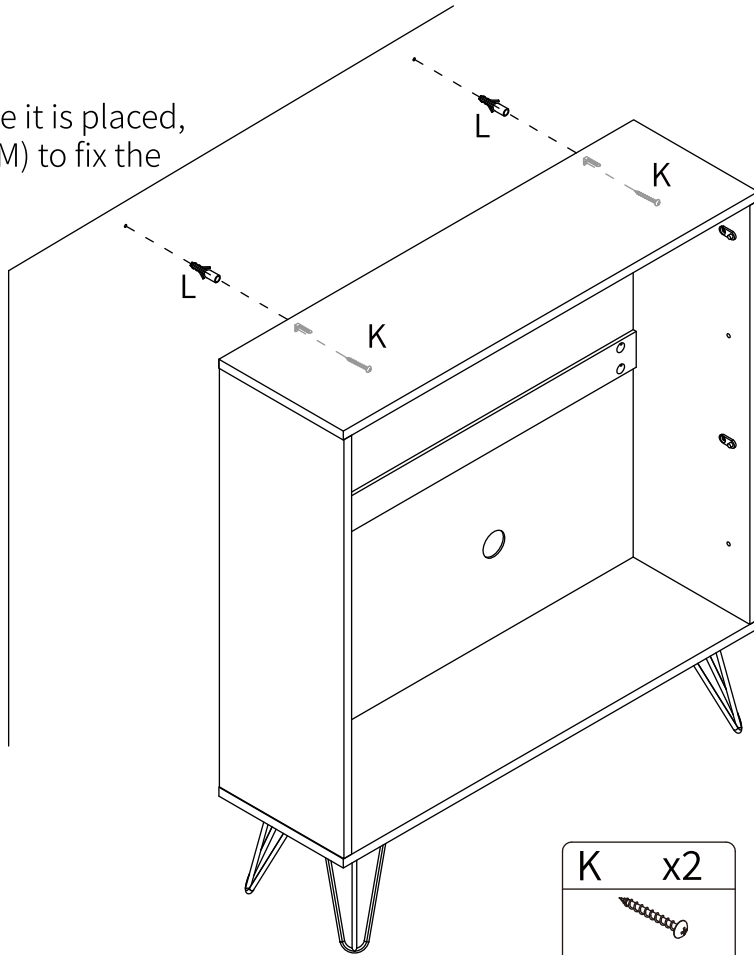
Put panel ⑨ into (L) & (R) and secure with screw (Q) from both ends.

x2



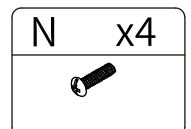
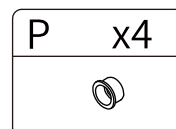
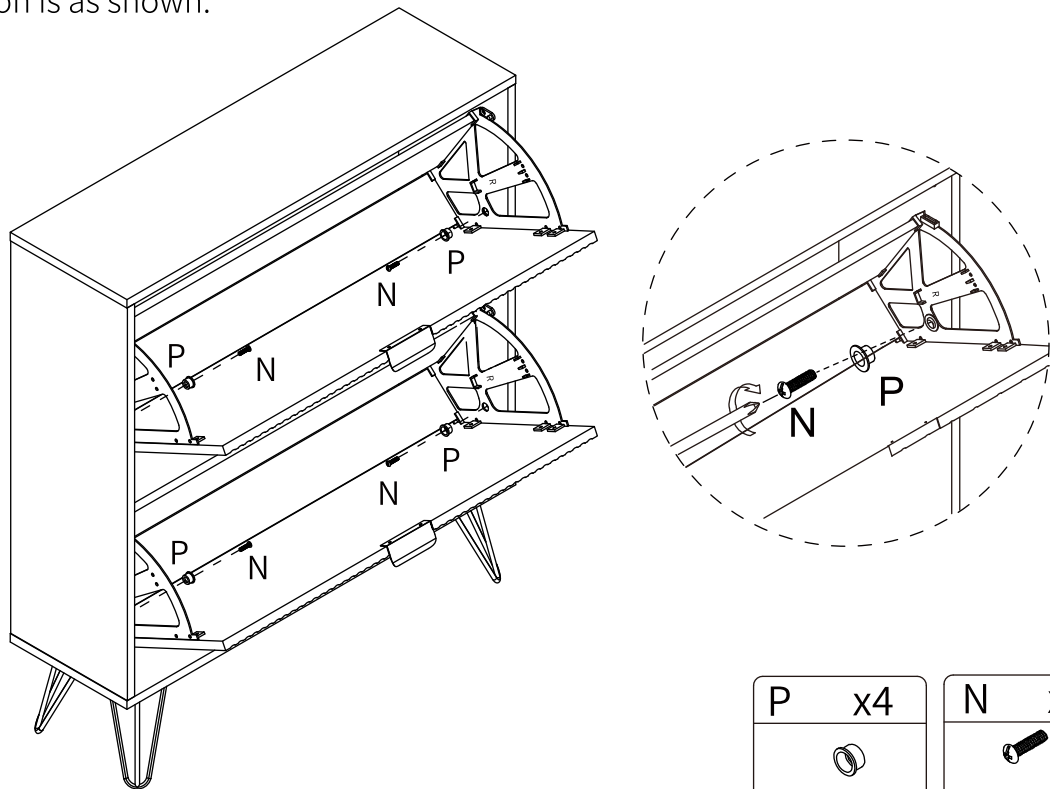
## Step 13

First drill holes on the wall where it is placed, and then use expansion screw (M) to fix the cabinet with screw (K). The installation location is as shown.



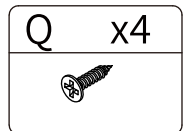
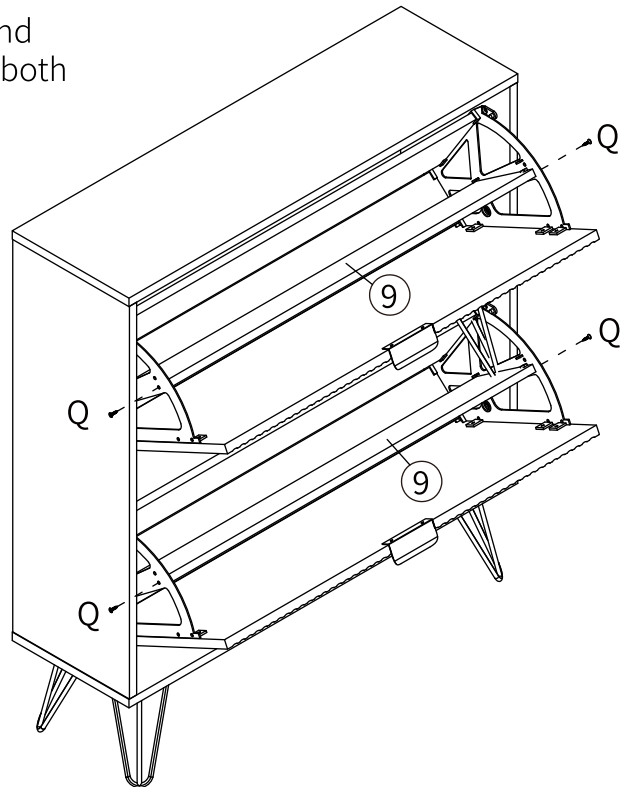
## Step 14

Put (P) into (M) & (N) then align with panel ② & ③ and secure with bolt (R). The installation location is as shown.



## Step 15

Put panel ⑨ into (L) & (R) and secure with screw (Q) from both ends.



## Step 16

