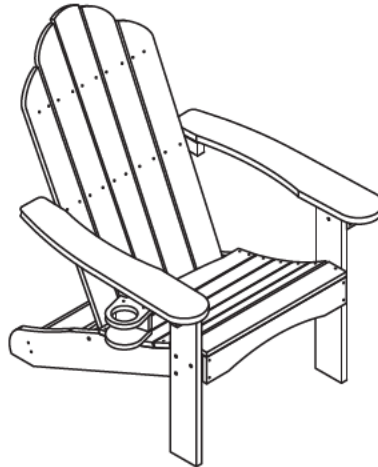


# USER'S MANUAL

## ADIRONDACK CHAIR & CUP HOLDER



### Guide of Manual

- ★ Thanks for your choice. **We will do our best to provide customer service for everyone.**
- ★ Please check to make sure **all parts are included as stated** when you unpack. If there are parts missing or wrong, **please contact us, we will expeditiously provide reissue accessories, compensation or other services.**
- ★ Instruction should be read carefully. But the manual may not cover every detail of all possible situations and steps. **Please contact us if further information and help are needed. We will respond in a timely manner.**
- ★ Please be patient that the other items are on the way if you buy more than one product.

### Care and Maintenance

- Use a soft, clean cloth that will not scratch the surface when dusting.
- If you run into scratches problems, we suggest you erase the scratches by knife.
- This item could be cleaned with soap and water. Be sure to avoid harsh solvents and abrasives.
- Periodically (every 90 days) make sure the screws are fully tightened.

### Material

- 100% HDPS

### Warning

- It's kindly advised to assemble this product on a carpeted floor to protect it from being scratched.
- Small parts are included. Please keep the product away from children while assembling. Do not let children play or jump on the product. Do not stand on the item or use as a step ladder.
- Please pay attention to the sharp corners during assembly. We recommend the use of gloves to prevent the undesired injury.
- Prior to use, please check to see if there's any loosening screw or part. Make sure that each screw and part is correctly installed and securely fastened.
- Usually it's unnecessary to use electric drill. Please at a low gear if you need.

### Resists Pest & Rough Weather

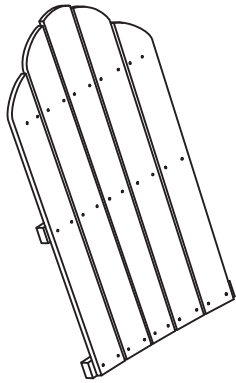
- These all-weather items can be stored outdoors year-round. Perfect for people who lives in a wet climate or lives on the coast where humidity and moisture will be an issue all year.

### Max weight capacity

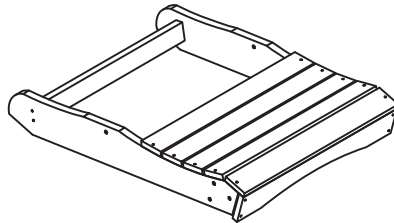
- 300lbs [Do not stand on the item]

# Parts List & Assembly Instruction

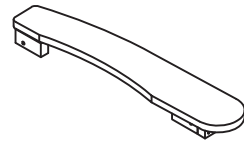
1. Make sure all parts are in the package.
2. Do not tighten all bolts until they have been installed in corresponding locations.



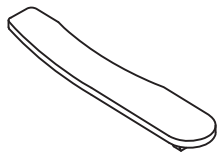
A x 1PC  
Back



B x 1PC  
Seat



C x 1PC  
Left Arm



D x 1PC  
Right Arm



F x 2PCS  
Front Legs



H x 1PC  
Seat Brace



I x 1PC  
Cup Holder



AA x 4PCS  
Screw (4\*35)



BB x 4PCS  
Bolt (M6\*50)



CC x 6PCS  
Bolt (M6\*50)



DD x 2PCS  
Bolt (M6\*60)



EE x 1PC  
Bolt (M6\*30)

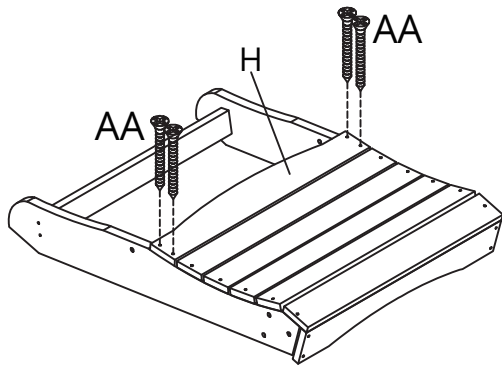


x 1PC  
Allen Wrench

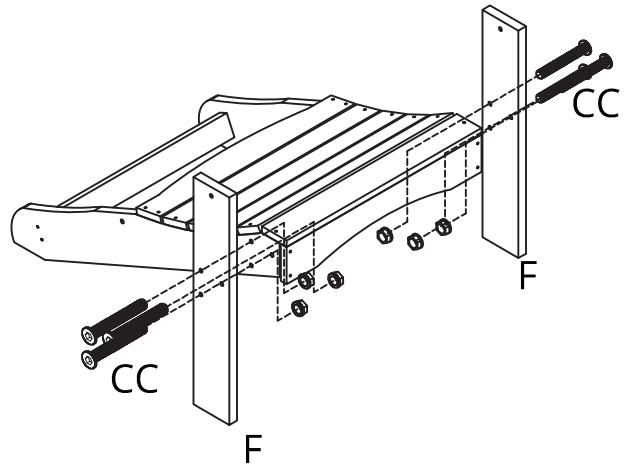


x 1PC  
Phillips screwdriver  
(not included)

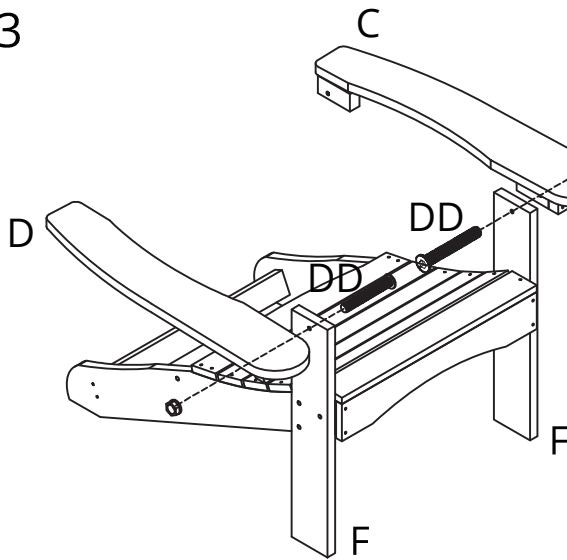
### Step 1



### Step 2

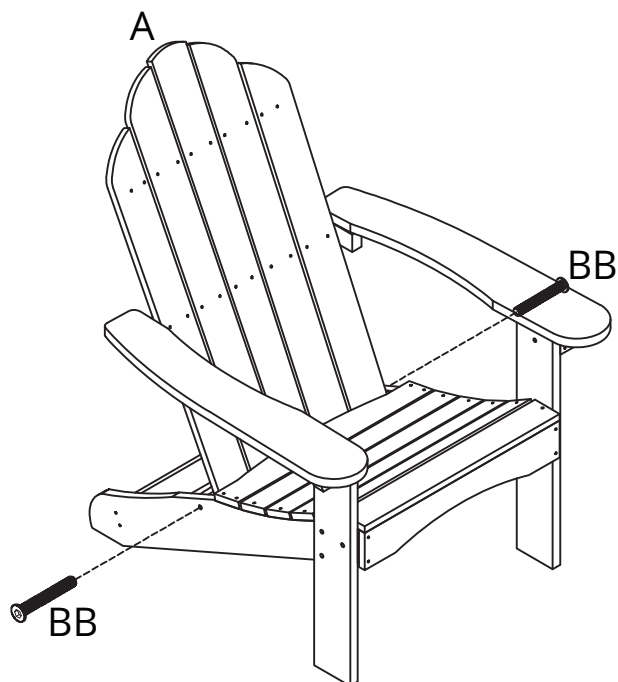


### Step 3

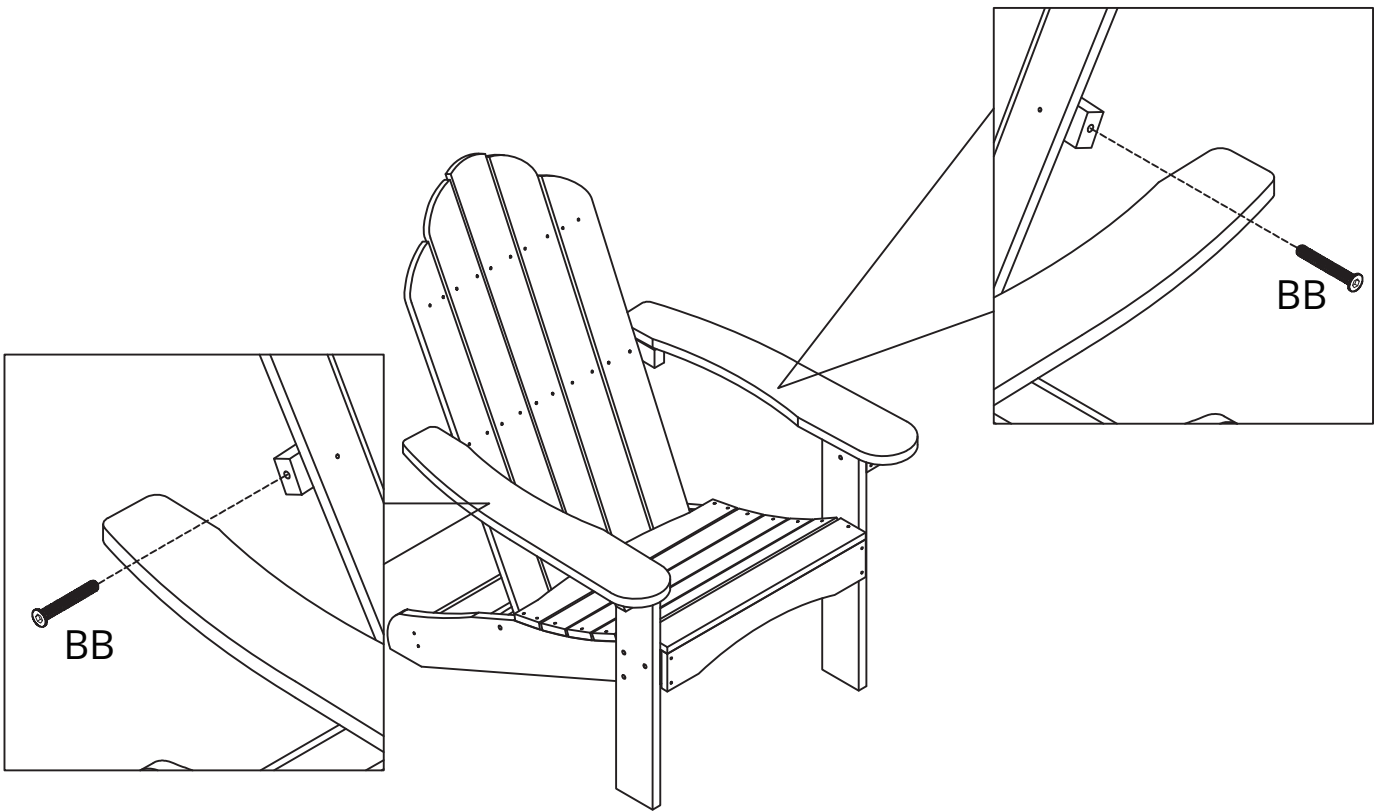


Please distinguish between the left and right armrest, the armrests should be installed on the outside of the Front Legs F.

### Step 4



## Step 5



## Step 6

