

WXX-05N

WARRANTY INFORMATION

- Do not expose the surfaces to direct sunlight or to extreme environmental conditions.
- Clean the surfaces preferable with a clean damp cloth, then dry with a clean towel.
- Do not use solvents or abrasive materials to clean the unit. If you decide to use a cleaning agent, test first on an area hidden from view.
- Replacement parts might be available to you at no charge, with an original proof of purchase and where a defect has arisen, wholly or substantially, as a result of faulty manufacturing, parts or workmanship during the Warranty Period.
- The warranty does not extend to regular wear and tear, nor the manufacturer assumes liability for damages or consequences due to accidents, incorrect assembly, negligence, improper use, modifications, or not heeding the above warnings.

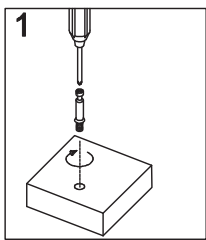
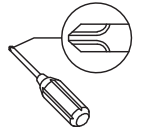
Thank you so much for your support! We hope you enjoy your purchase. If there is any damage or missing accessories, please feel free to contact us for free replacement or refund. You can quickly find us through **Customer Service Line: +1-888-292-2399**
Customer Service Email: service7770@outlook.com with your order number, we will try our best to solve this problem for you !

Thank you !

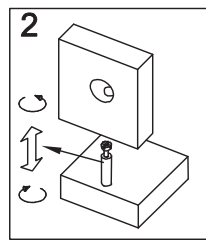
General Assembly Guidelines

- I. Ensure that all parts and hardware are available before beginning assembly.
- II. Follow each step carefully to ensure the proper assembly of this product.
- III. The three main types of hardware used to assemble this product are: wood dowels, screws and bolts.
- IV. A Phillips head screwdriver is required for the assembly of this product.

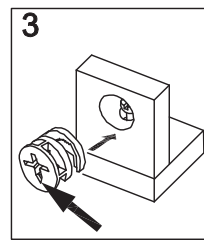
V. Cam bolt and Cam lock Assembly instruction.



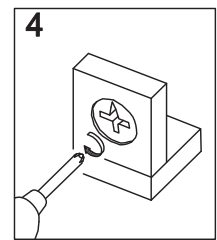
Cam bolt vertical installation



Cam bolt is adjustable

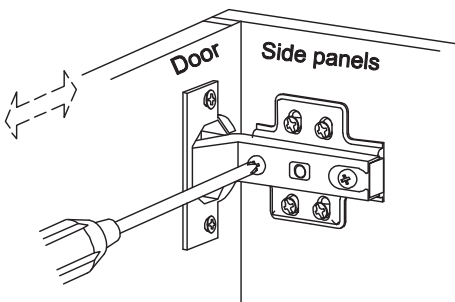


Cam lock the arrow is towards the Cam bolt

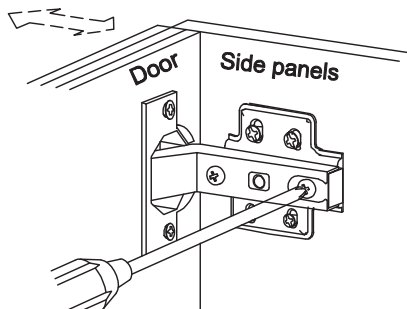


180° Ensure locking

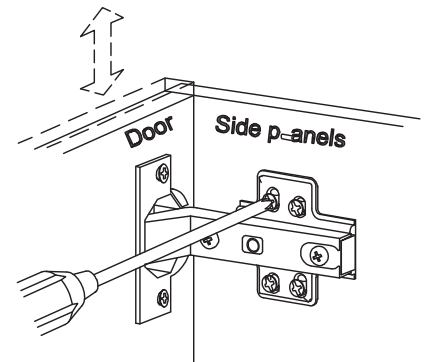
VI. Concealed hinges are three-way adjustable.



Horizontal by screw adjustment

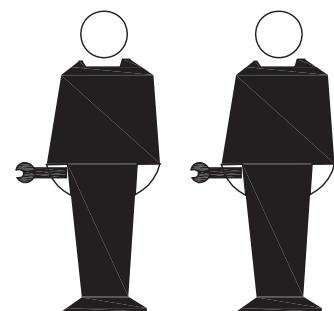


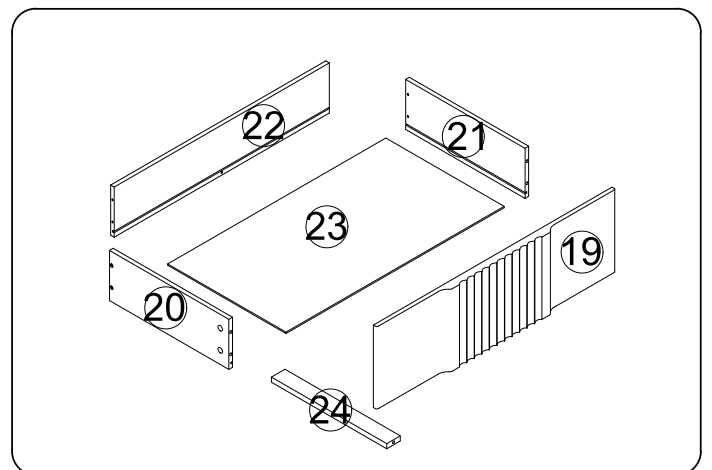
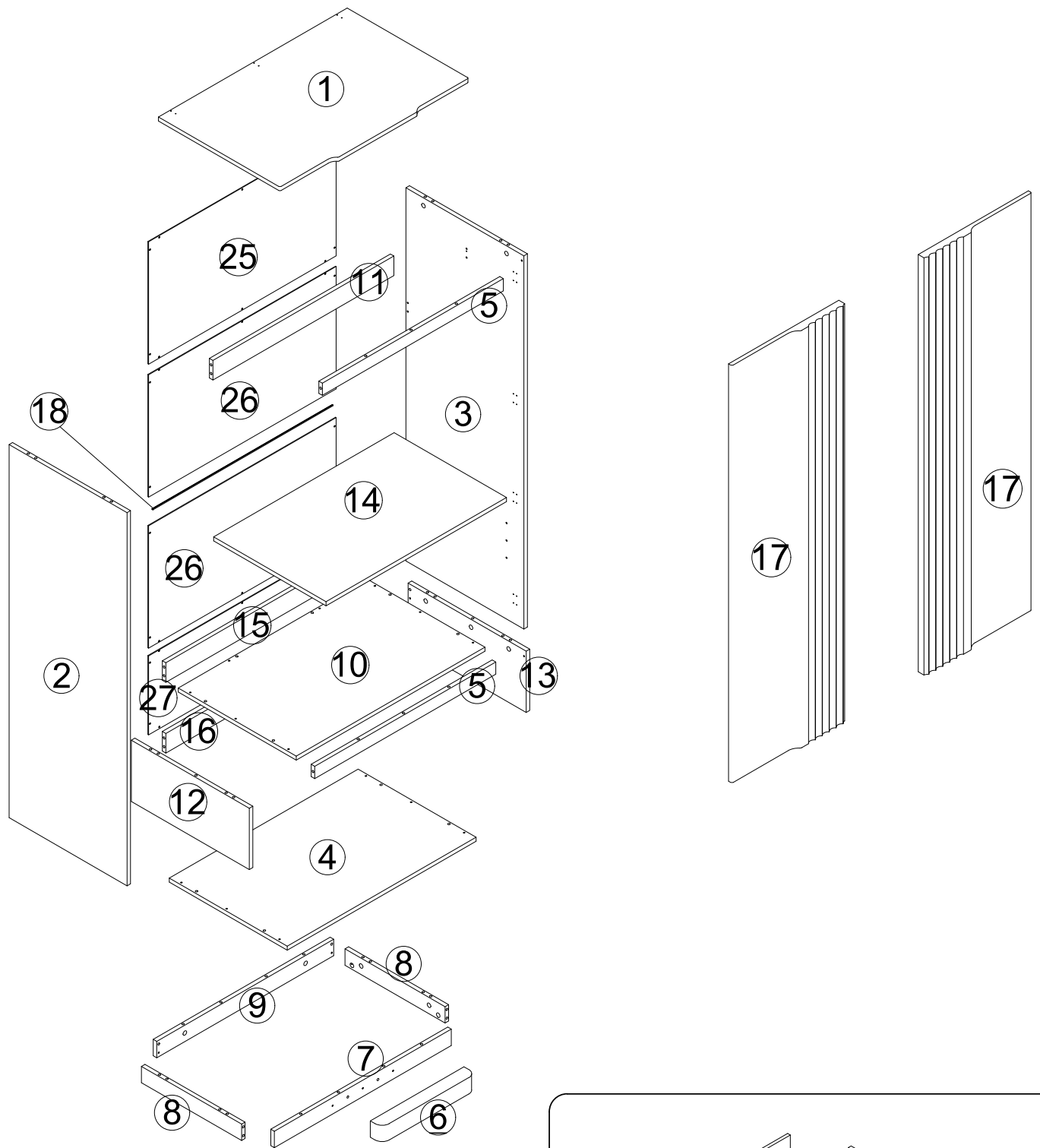
In-and-Out by loosening the hinge-arm mounting screw or via cam adjustment



Vertical Via slots in the mounting plate or via cam adjustment

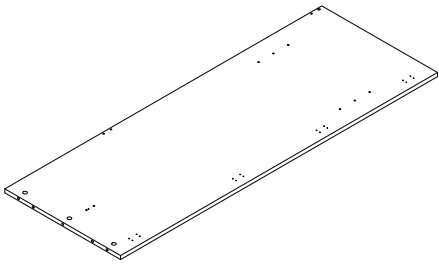
VII. Two people are recommended for ease in the assembly of this product.





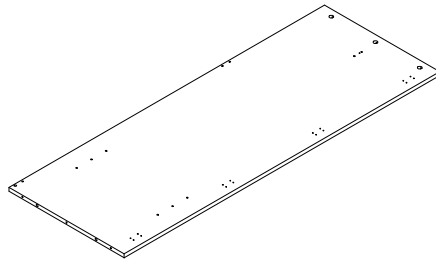
WXX-05N -1

2



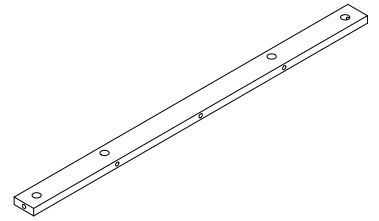
1PCS

3



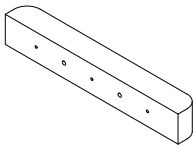
1PCS

5



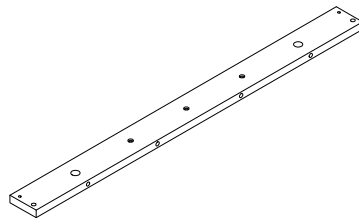
2PCS

6



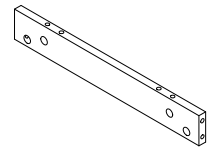
1PCS

7



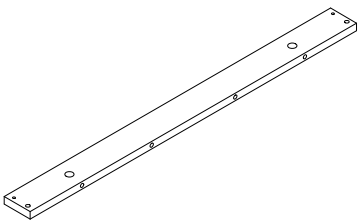
1PCS

8



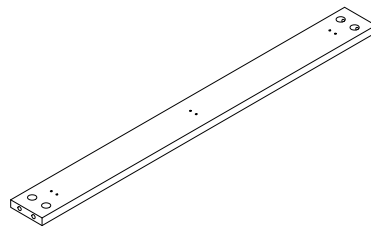
2PCS

9



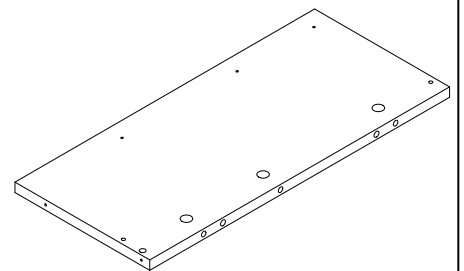
1PCS

11



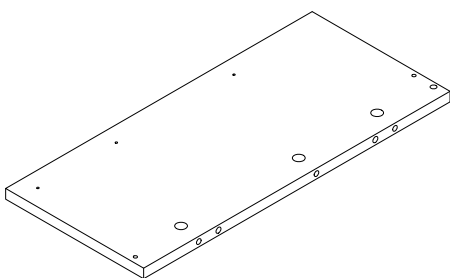
1PCS

12



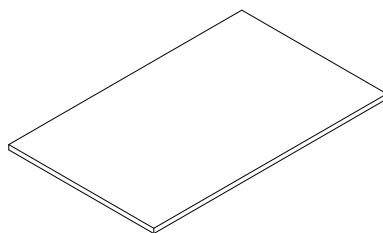
1PCS

13



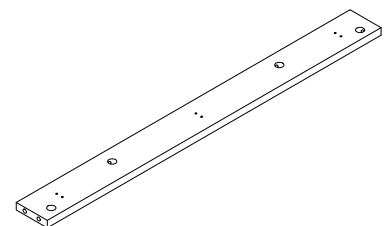
1PCS

14



1PCS

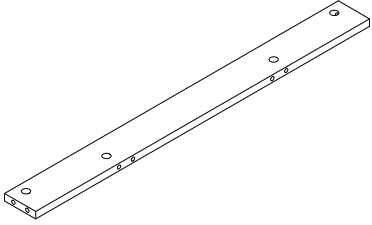
15



1PCS

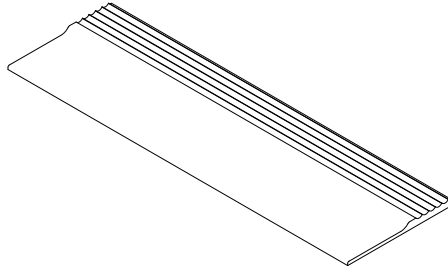
WXX-05N -1

16



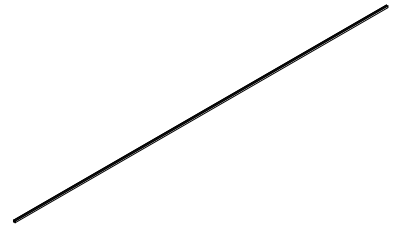
1PCS

17



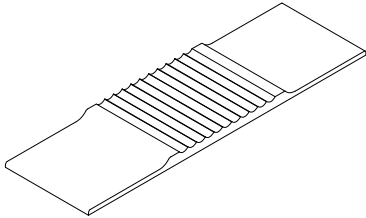
2PCS

18



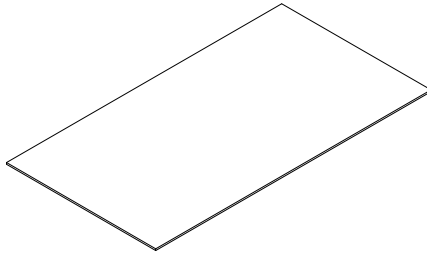
1PCS

19



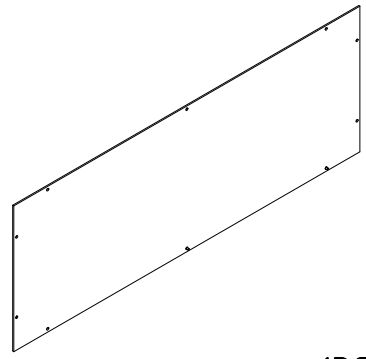
1PCS

23

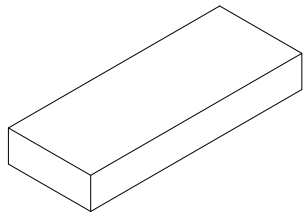


1PCS

27



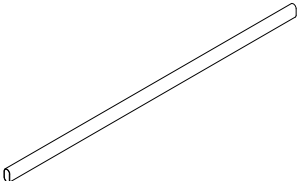
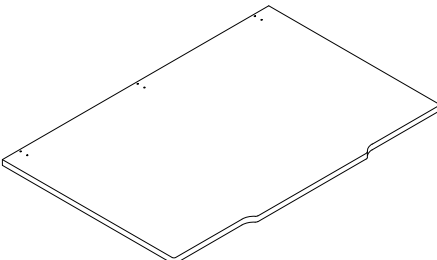
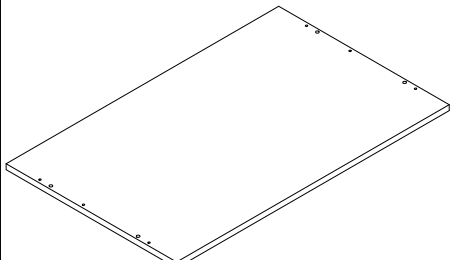
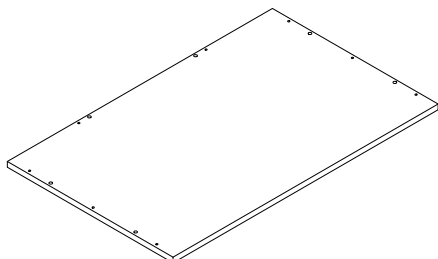
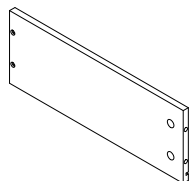
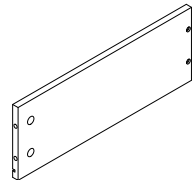
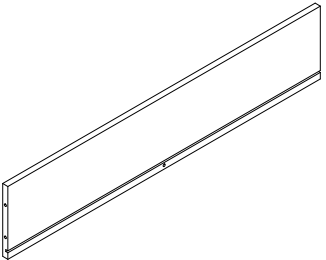
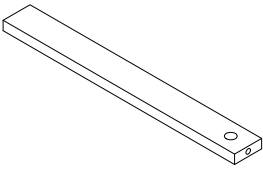
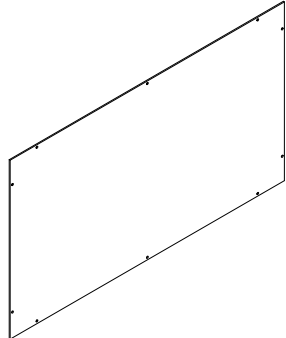
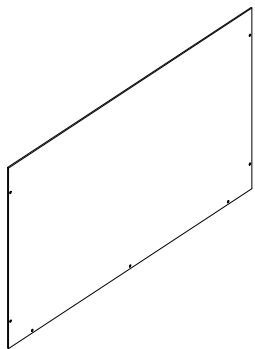
1PCS

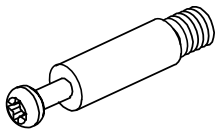
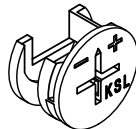
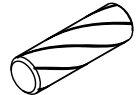
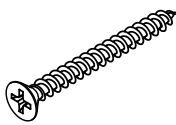
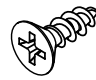
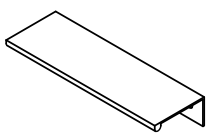
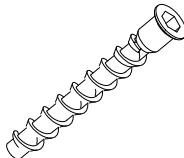
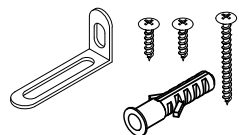
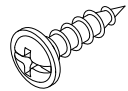
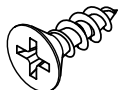
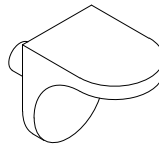
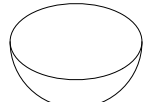
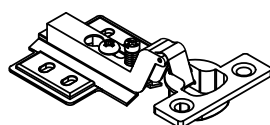

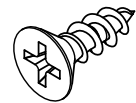
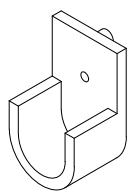
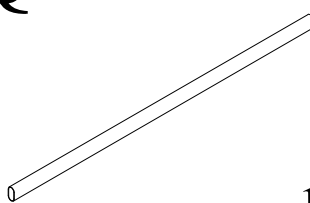
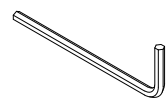


Hardware kit

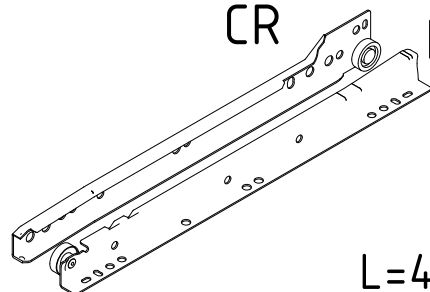
1PCS

WXX-05N -2

<p>Q</p>  <p>1PCS</p>	<p>1</p>  <p>1PCS</p>	<p>4</p>  <p>1PCS</p>
<p>10</p>  <p>1PCS</p>	<p>20</p>  <p>1PCS</p>	<p>21</p>  <p>1PCS</p>
<p>22</p>  <p>1PCS</p>	<p>24</p>  <p>1PCS</p>	<p>25</p>  <p>1PCS</p>
<p>26</p>  <p>2PCS</p>		

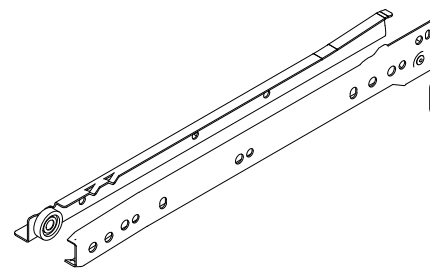
<p>A</p>  <p>49PCS</p>	<p>B</p>  <p>49PCS</p>	<p>C</p>  <p>ø8*30MM</p> <p>28PCS</p>
<p>D</p>  <p>M4*35MM</p> <p>8PCS</p>	<p>E</p>  <p>M3*12MM</p> <p>18PCS</p>	<p>F</p>  <p>3PCS</p>
<p>G</p>  <p>12PCS</p>	<p>H</p>  <p>3PCS</p>	<p>I</p>  <p>M3*14MM</p> <p>34PCS</p>
<p>J</p>  <p>M3.5*12MM</p> <p>48PCS</p>	<p>K</p>  <p>4PCS</p>	<p>L</p>  <p>4PCS</p>
<p>M</p>  <p>8PCS</p>	<p>N</p>  <p>ø8*50MM</p> <p>6PCS</p>	<p>O</p>  <p>M3.5*14MM</p> <p>2PCS</p>
<p>P</p>  <p>2PCS</p>	<p>Q</p>  <p>1PCS</p>	<p>R</p>  <p>1PCS</p>

CR



DR

DL

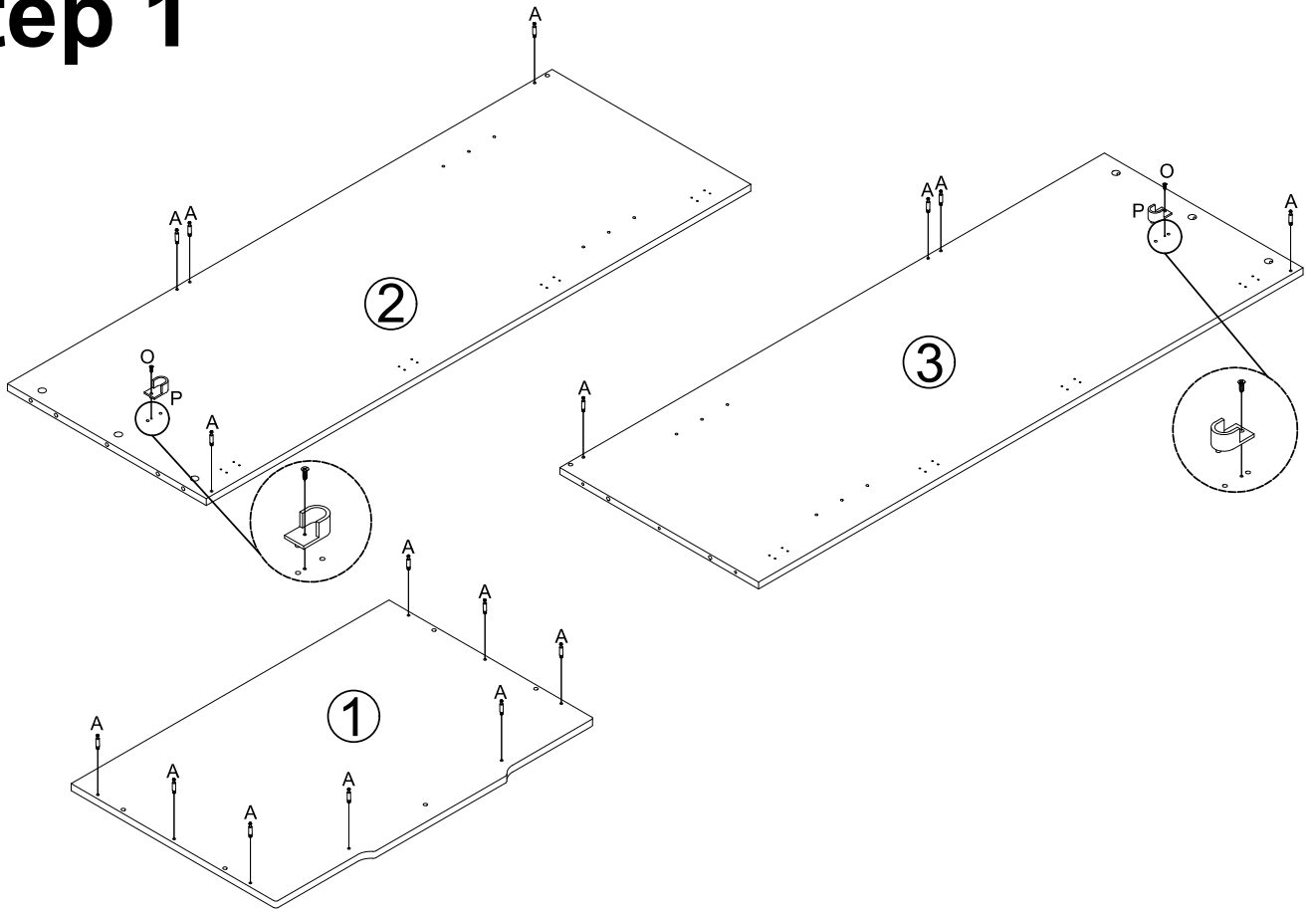


CL

L=400MM

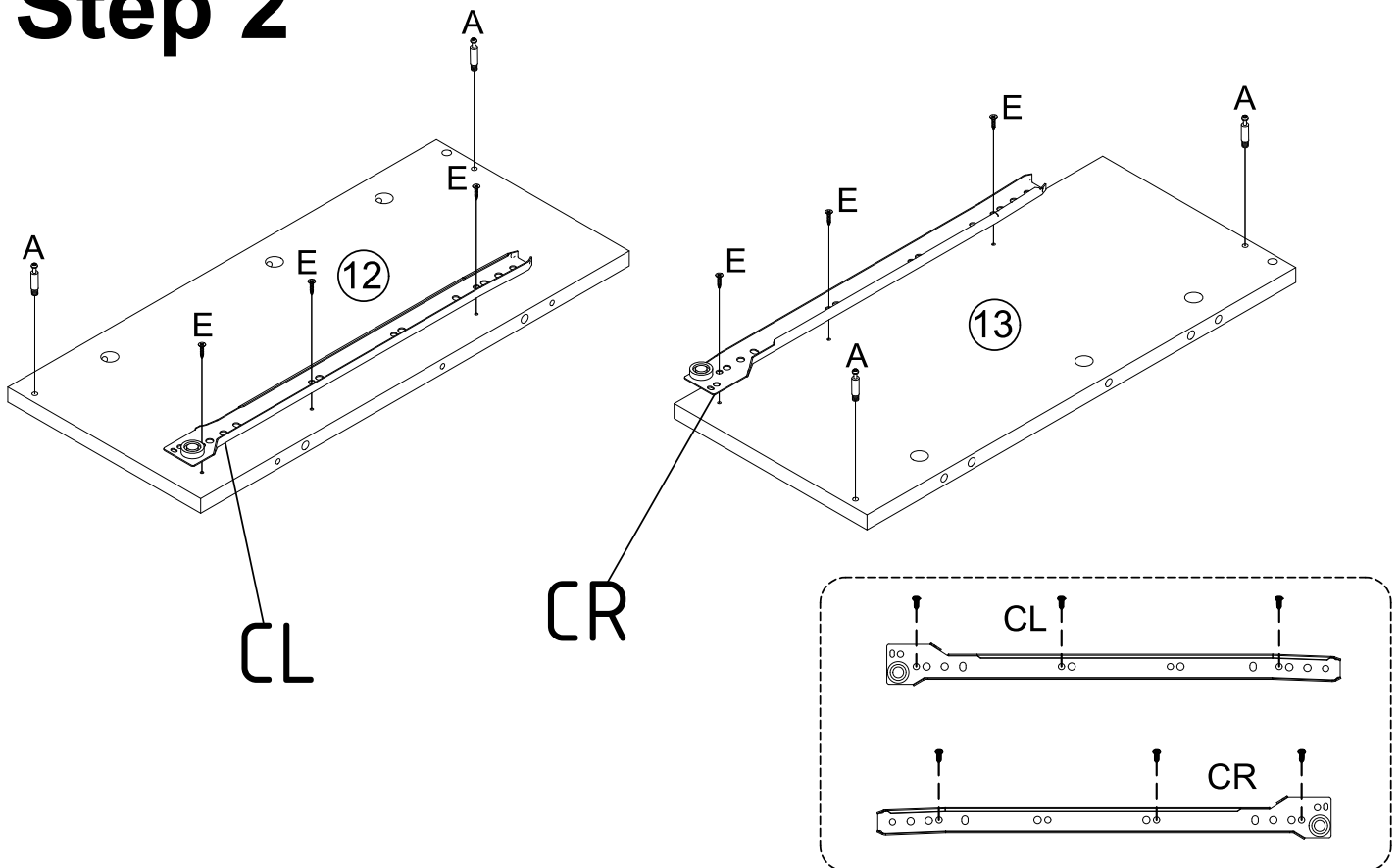
×1

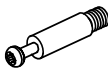

Step 1



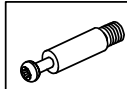
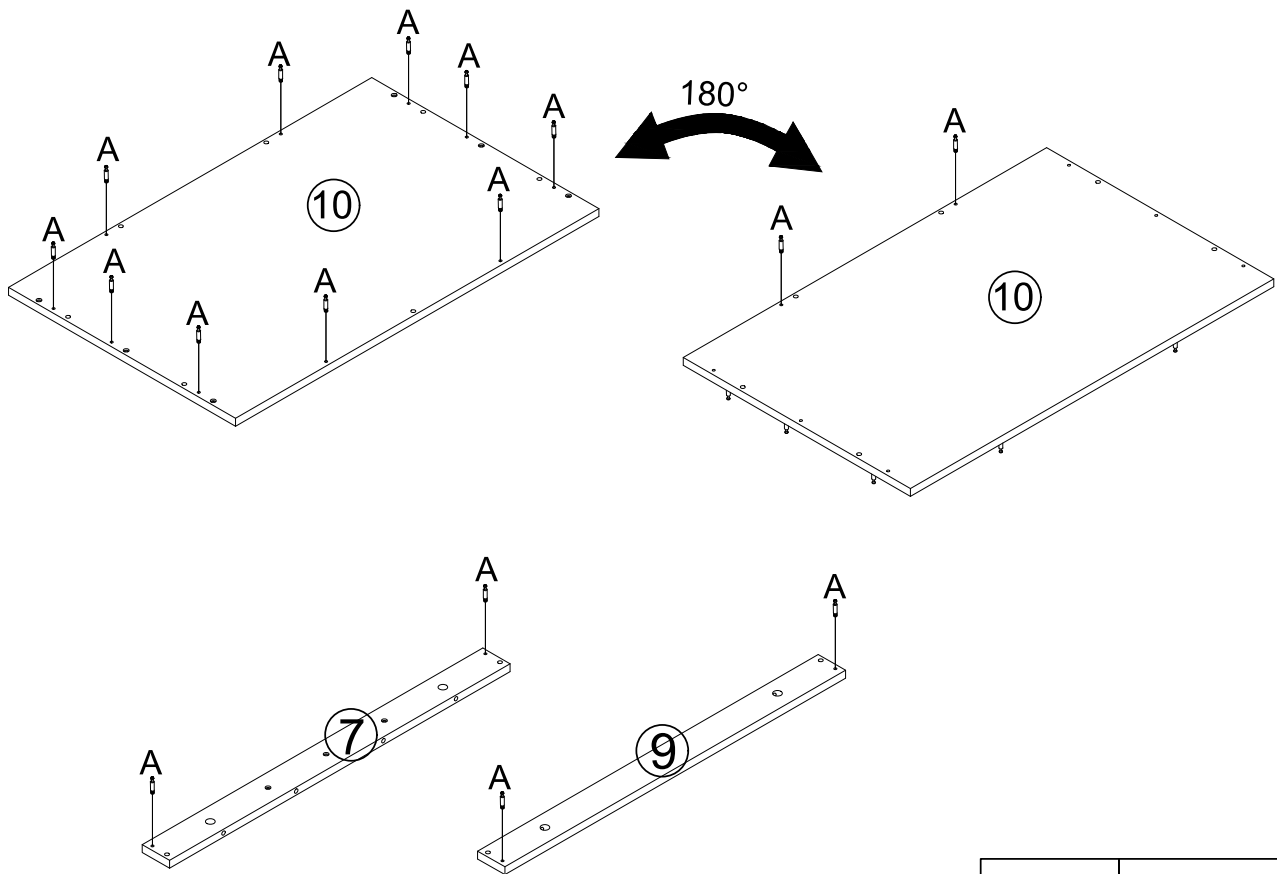
	A X 16PCS		P X 2PCS		O X 2PCS
---	-----------	---	----------	---	----------

Step 2



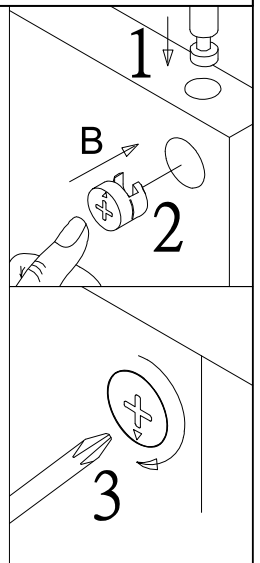
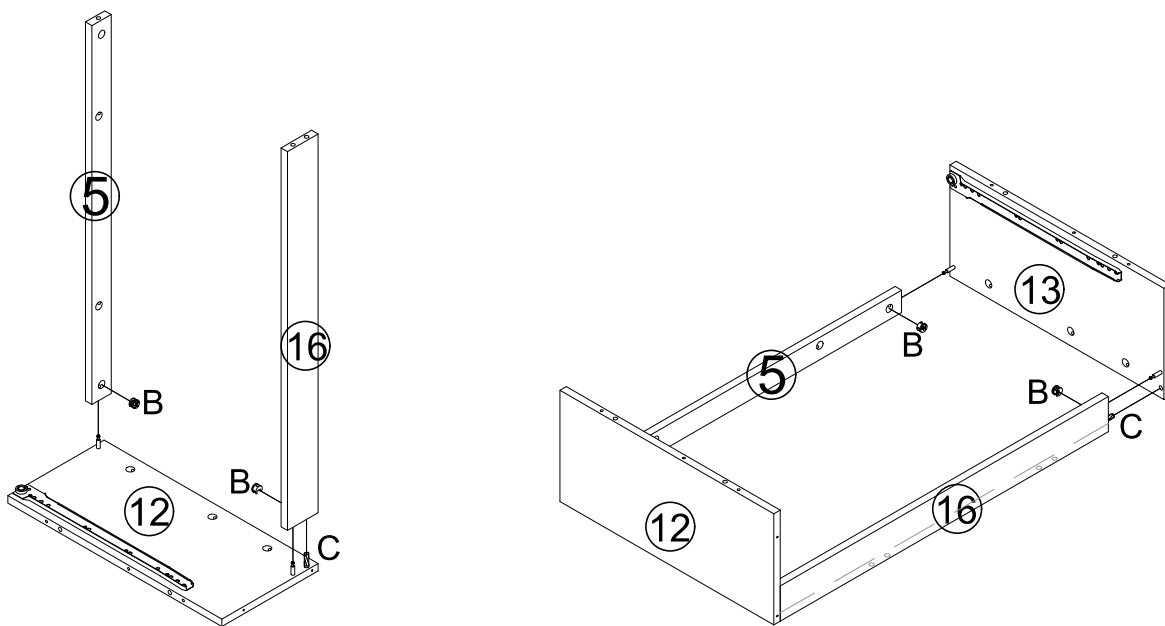
	A X 4PCS		E X 6PCS
---	----------	---	----------

Step 3



A X 16PCS

Step 4

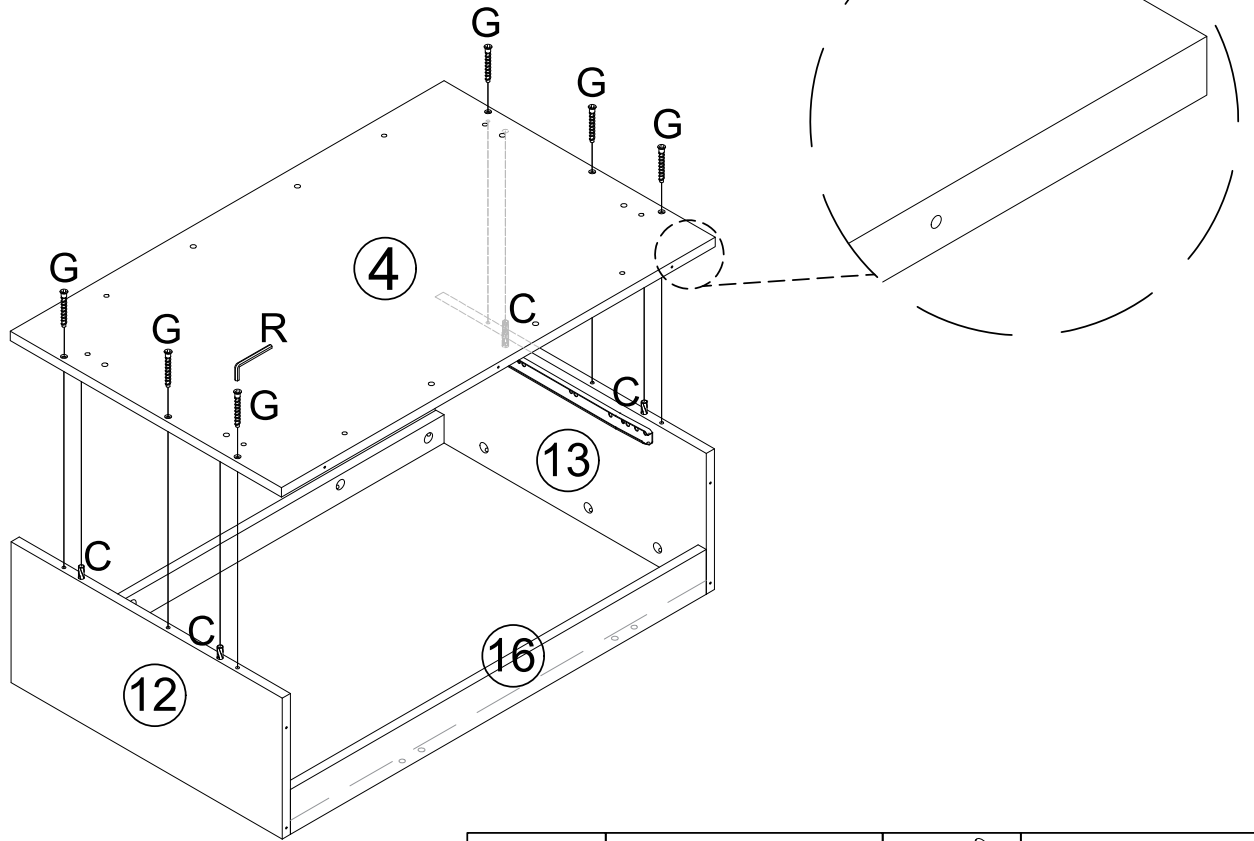




B X 4PCS



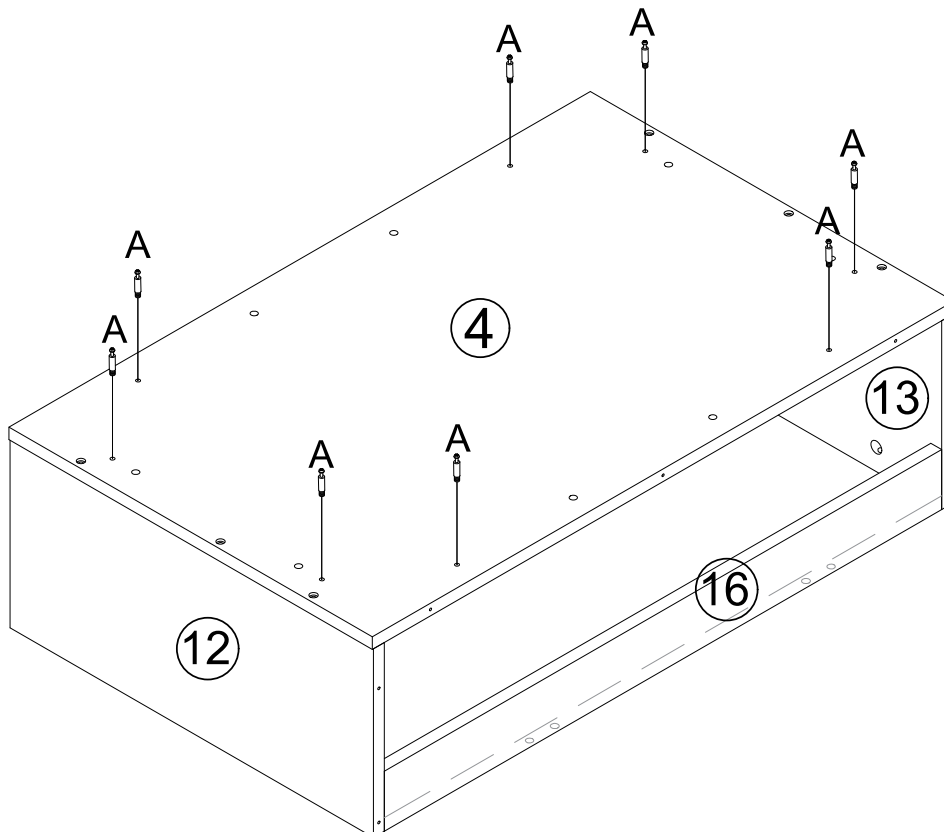
C X 2PCS

Step 5



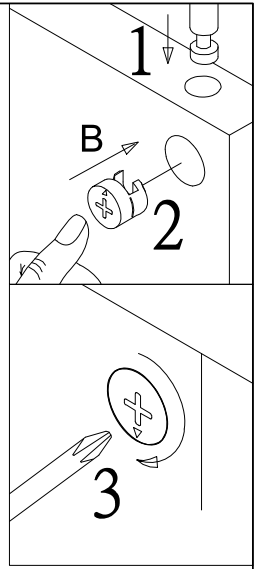
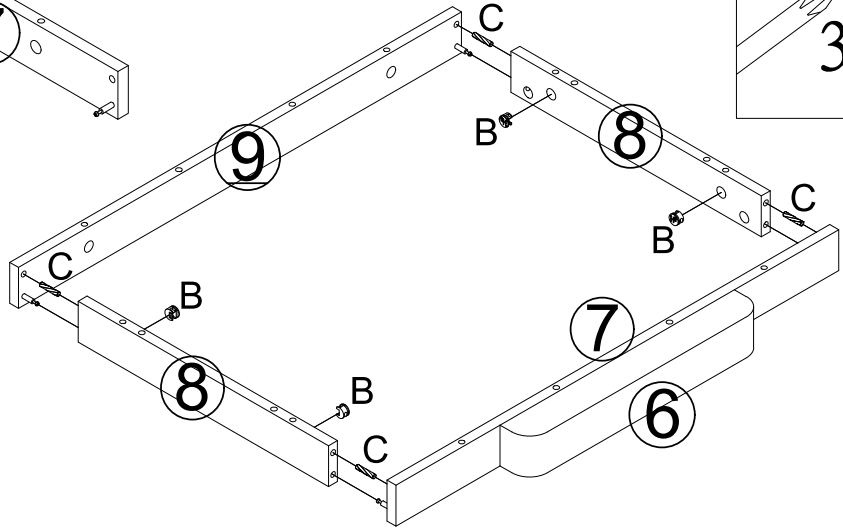
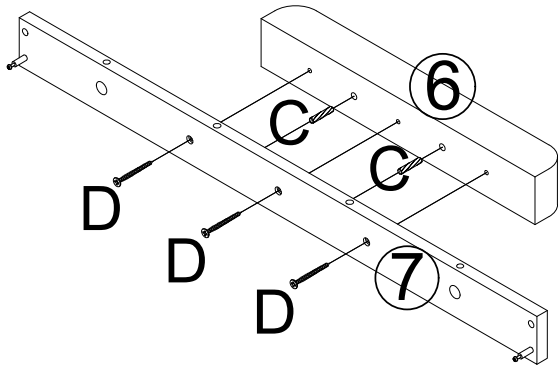
	C X 4PCS		G X 6PCS
---	----------	---	----------




Step 6



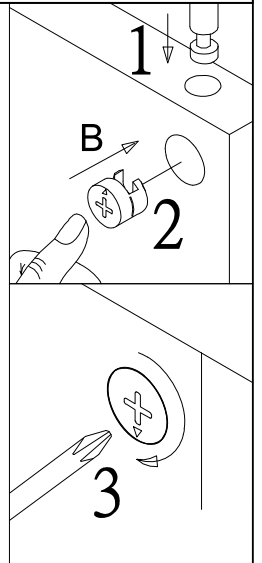
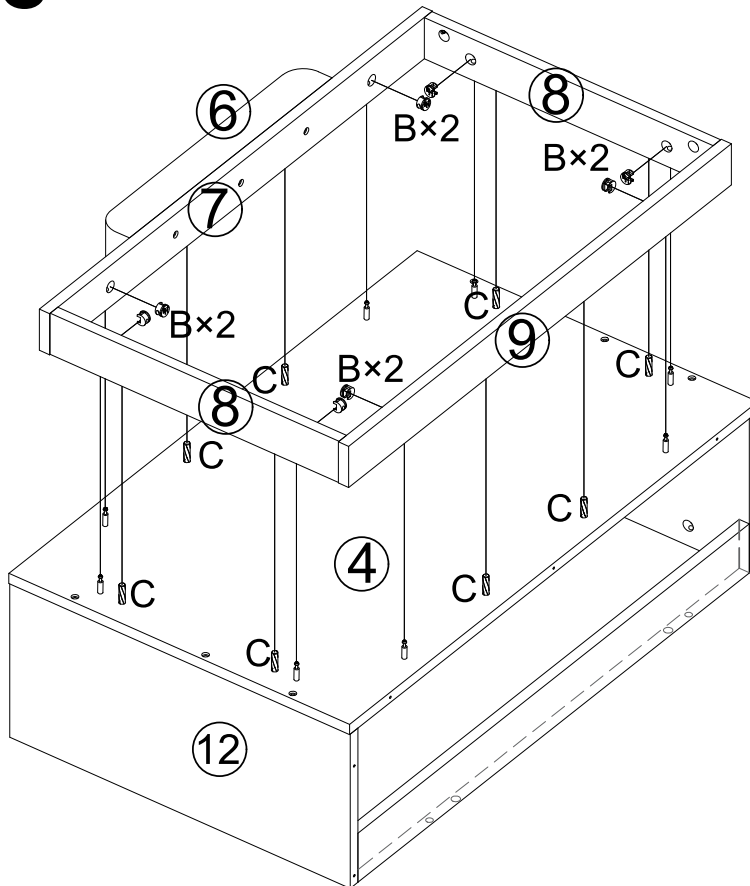
	A X 8PCS
---	----------

Step 7



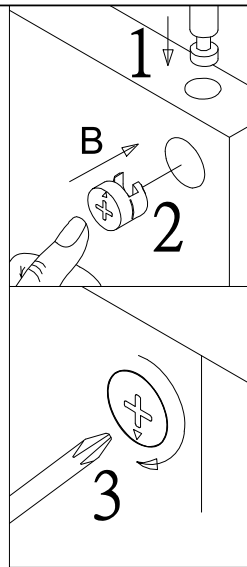
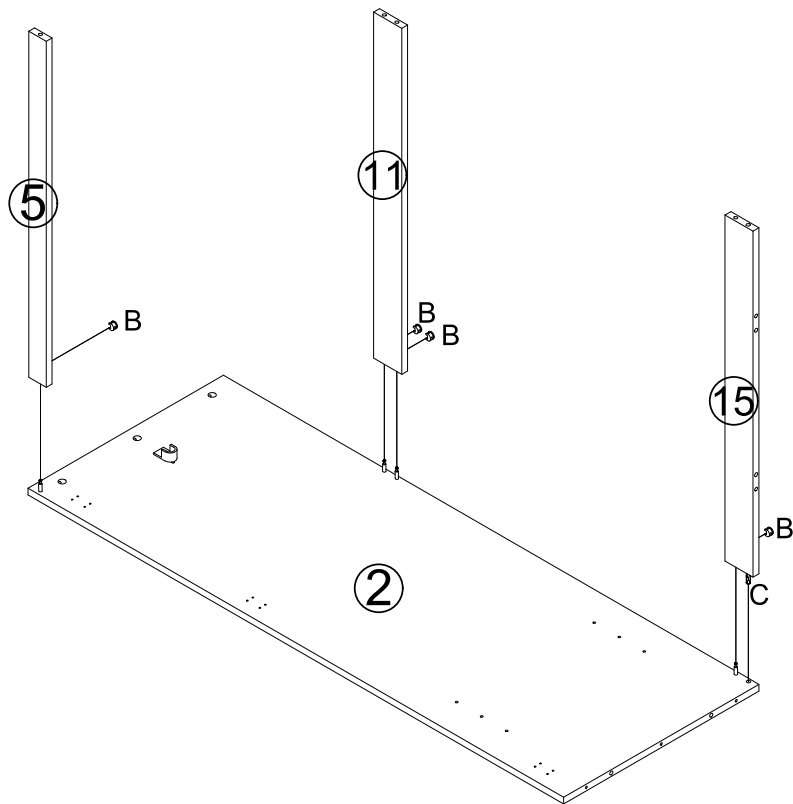
	B X 4PCS		C X 6PCS		D X 3PCS
---	----------	---	----------	---	----------

Step 8



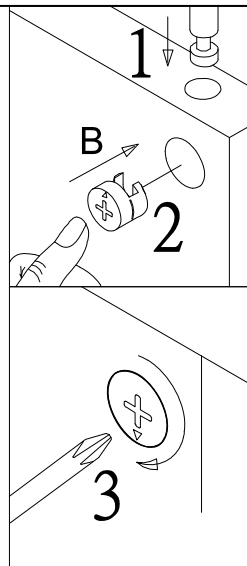
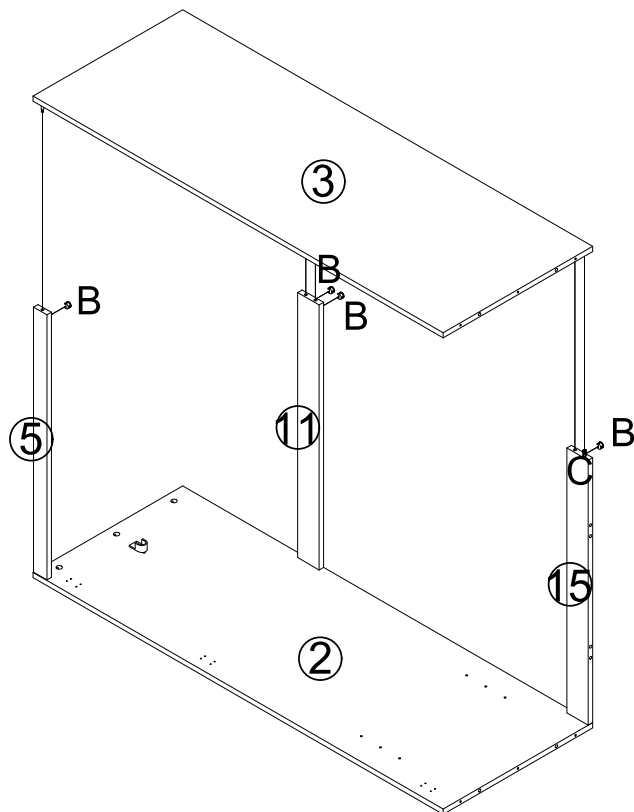
	B X 8PCS		C X 8PCS
---	----------	---	----------

Step 9



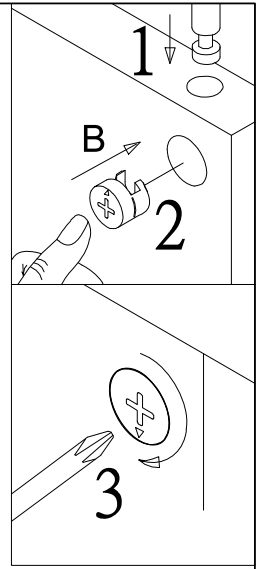
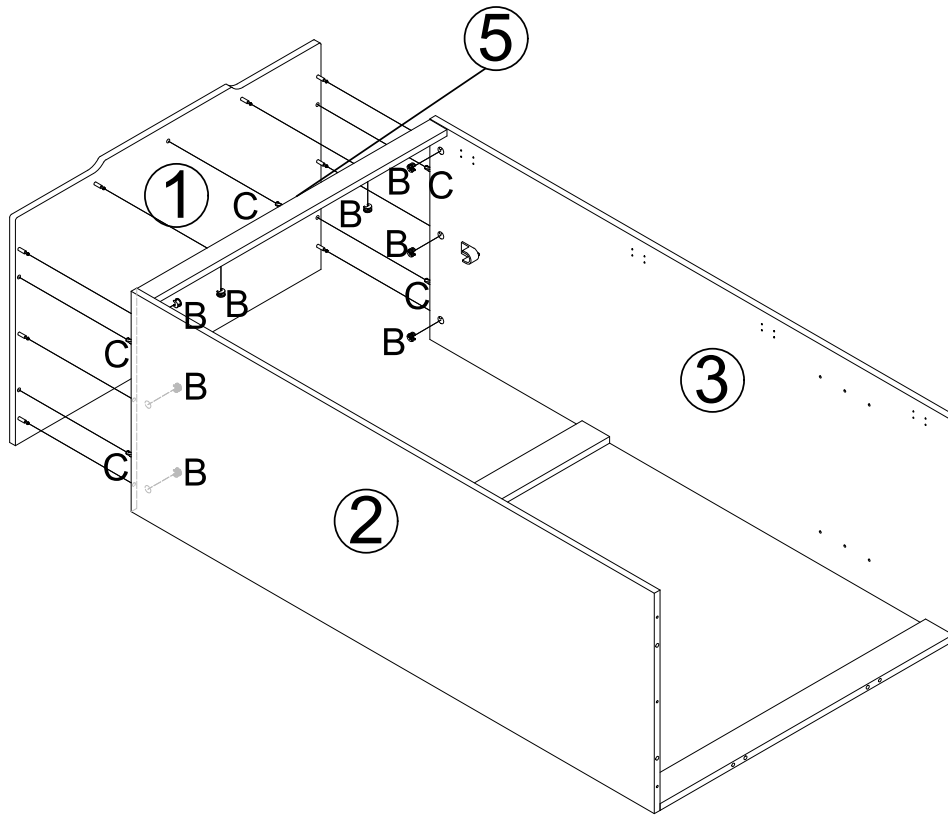
	B X 4PCS		C X 1PCS
---	----------	---	----------



Step 10



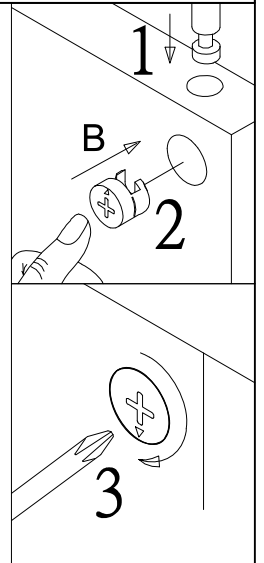
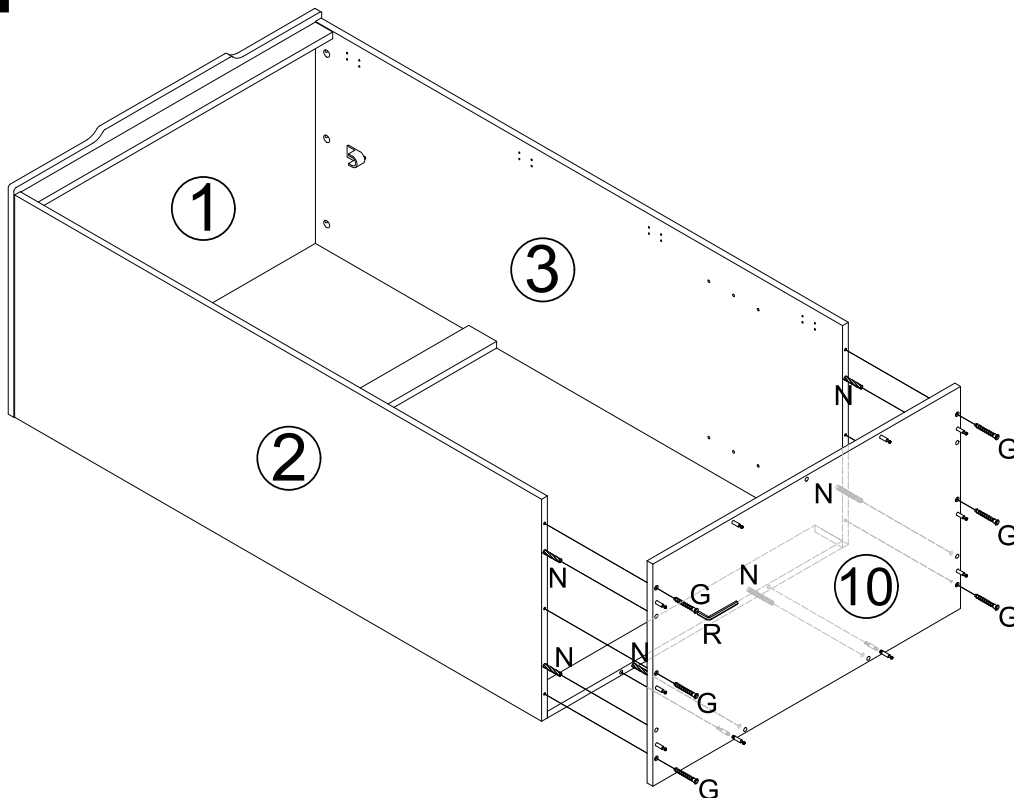
	B X 4PCS		C X 1PCS
---	----------	---	----------

Step 11



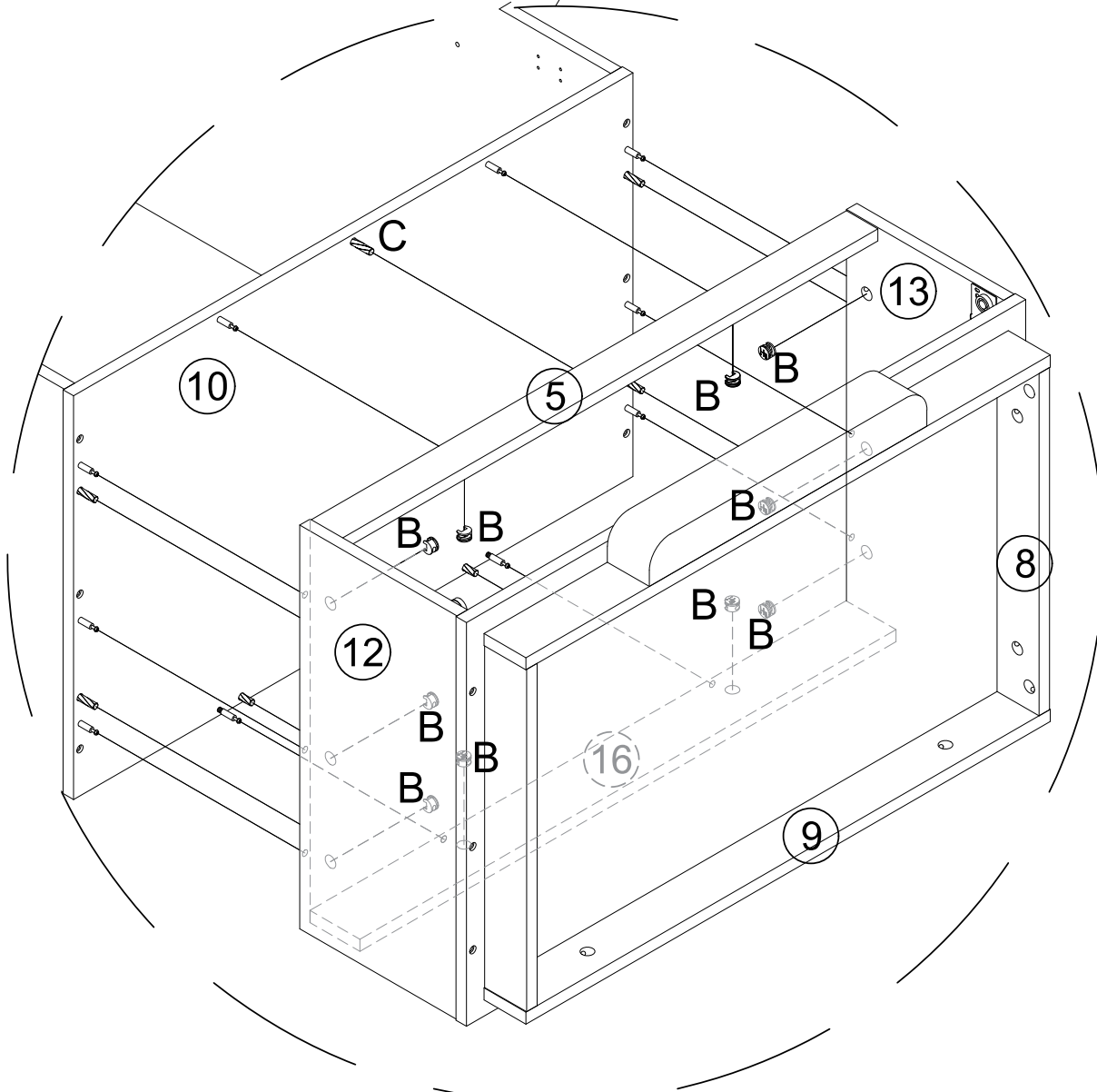
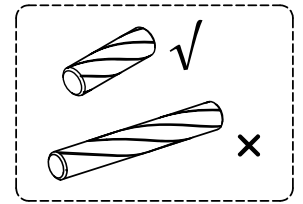
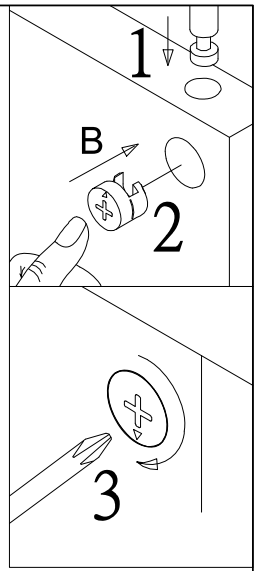
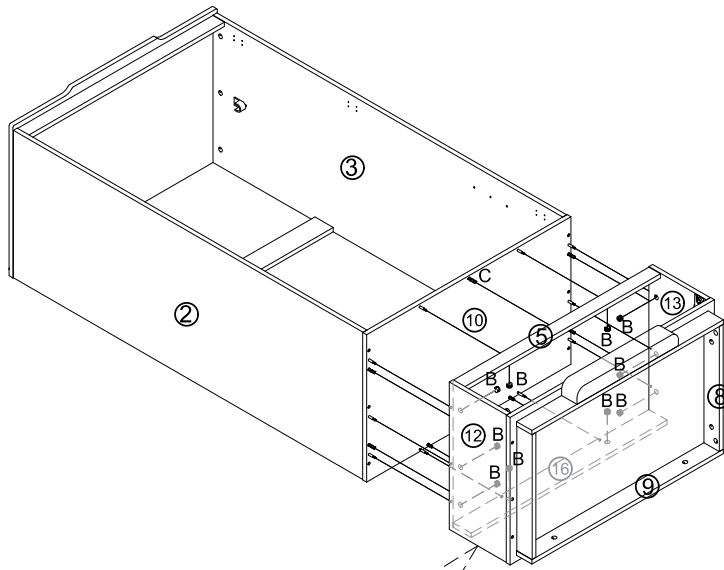
	B X 8PCS		C X 5PCS
---	----------	---	----------

Step 12



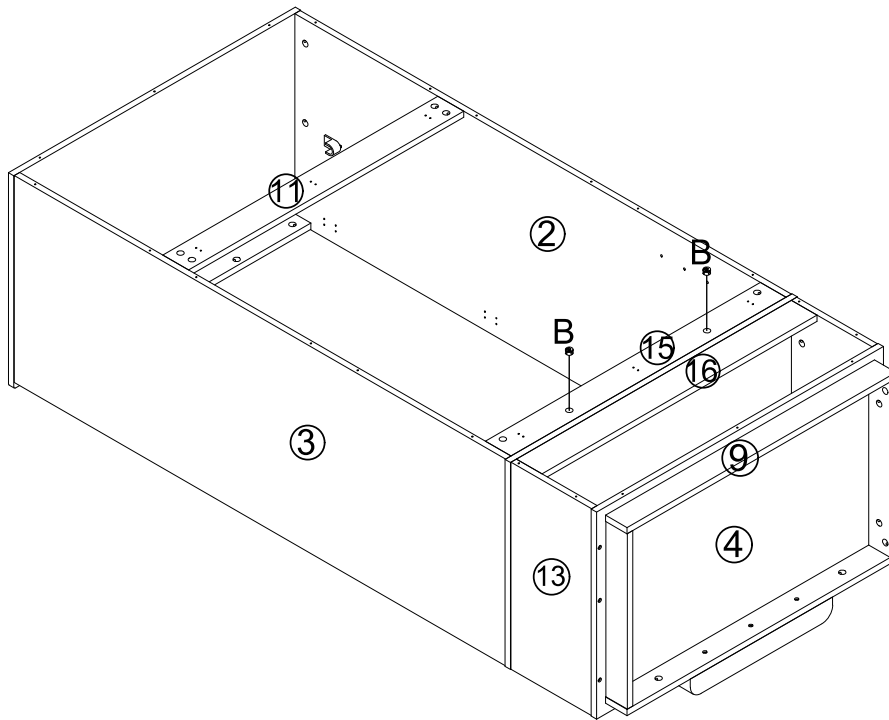
	N X 6PCS		G X 6PCS
---	----------	---	----------

Step 13



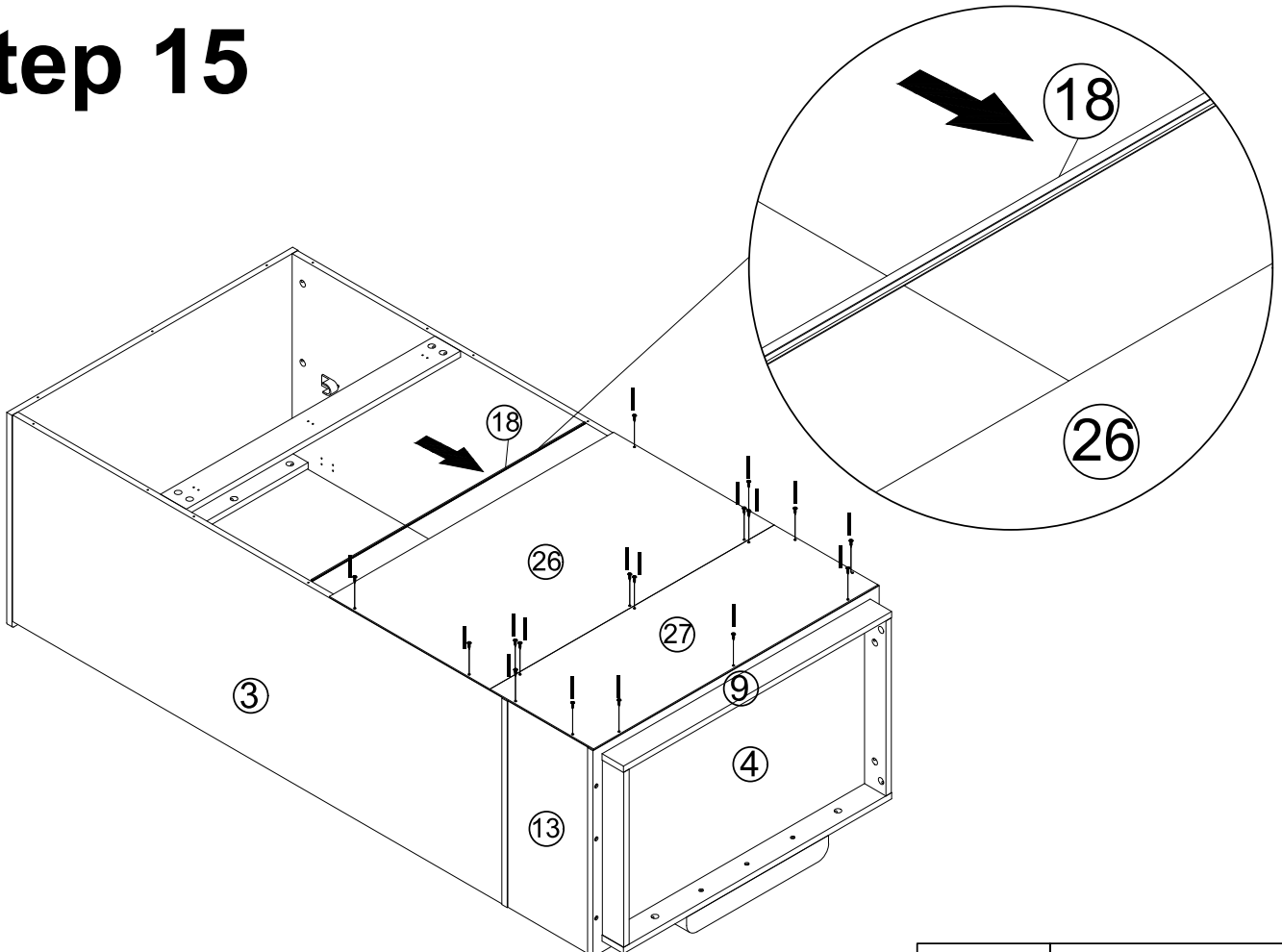
	B X 10PCS		C X 1PCS
--	------------------	--	-----------------

Step 14



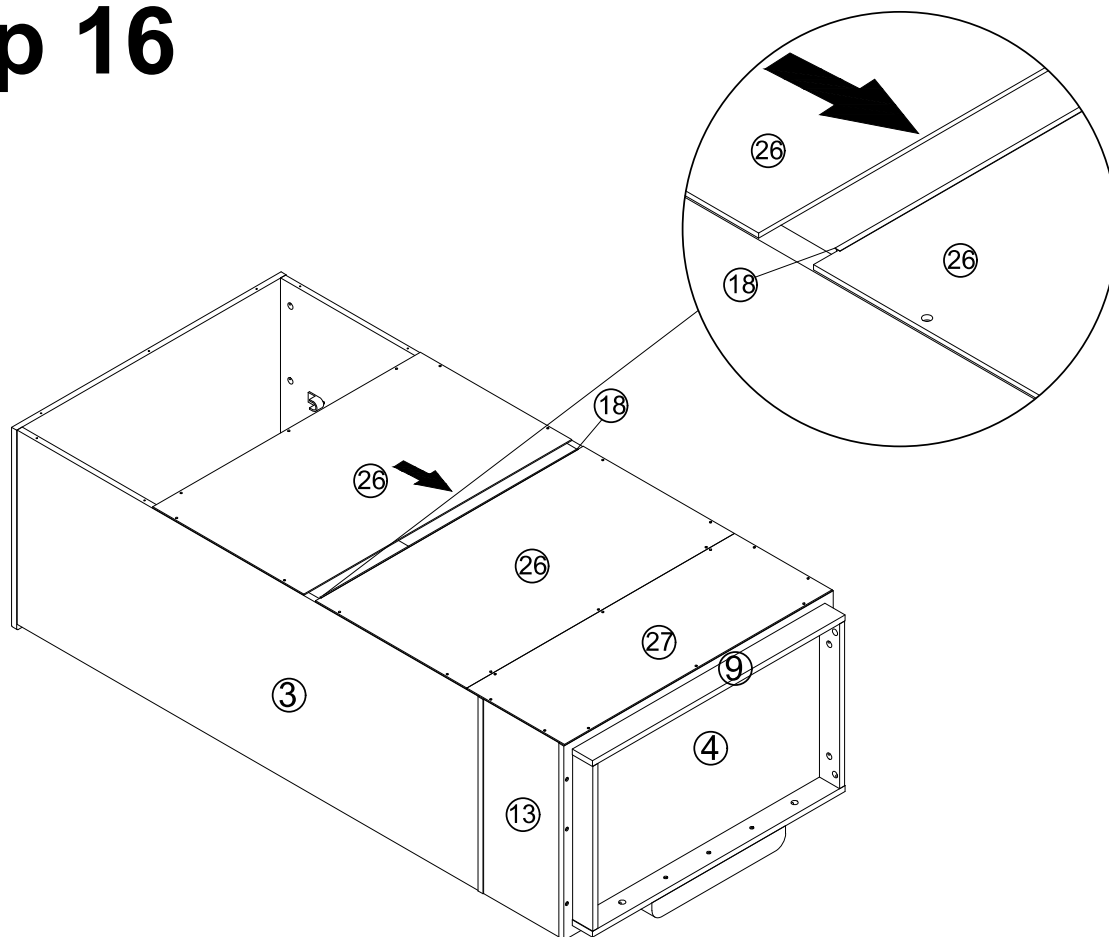
B X 2PCS

Step 15

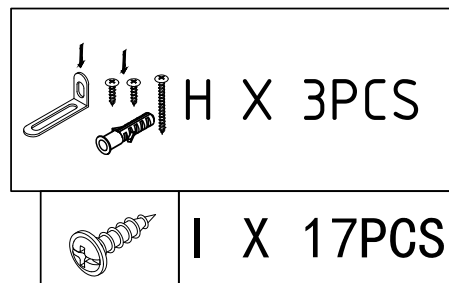
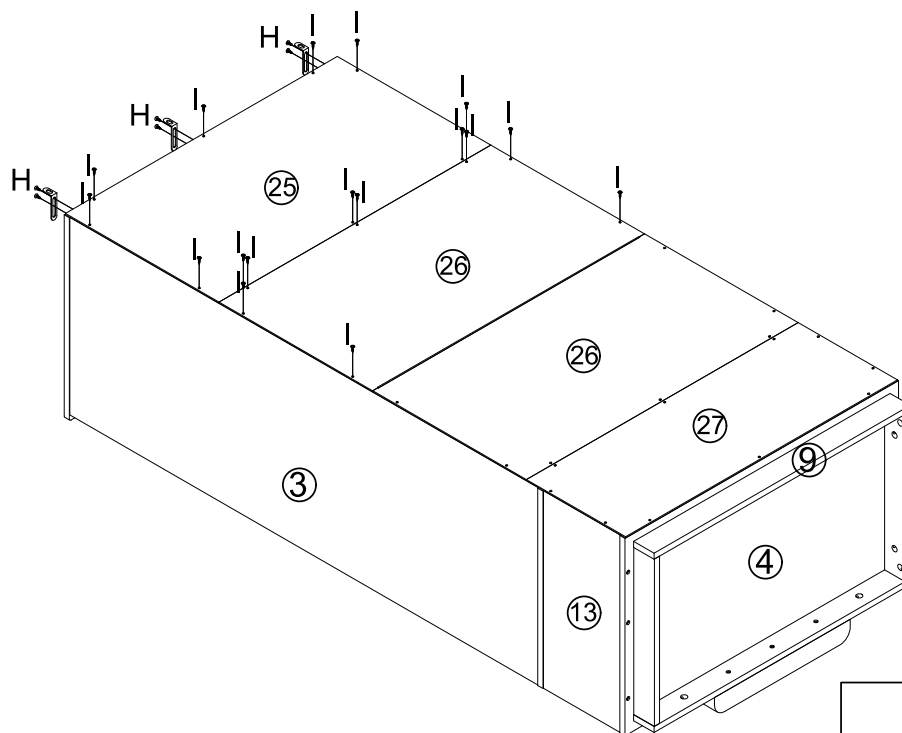


I X 17PCS

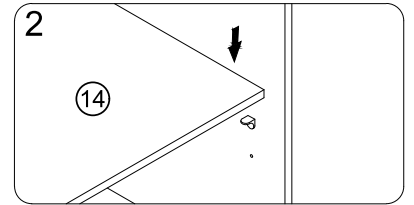
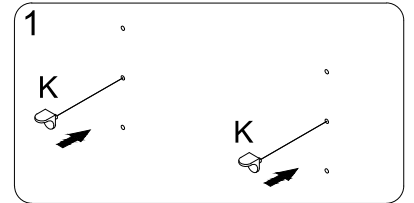
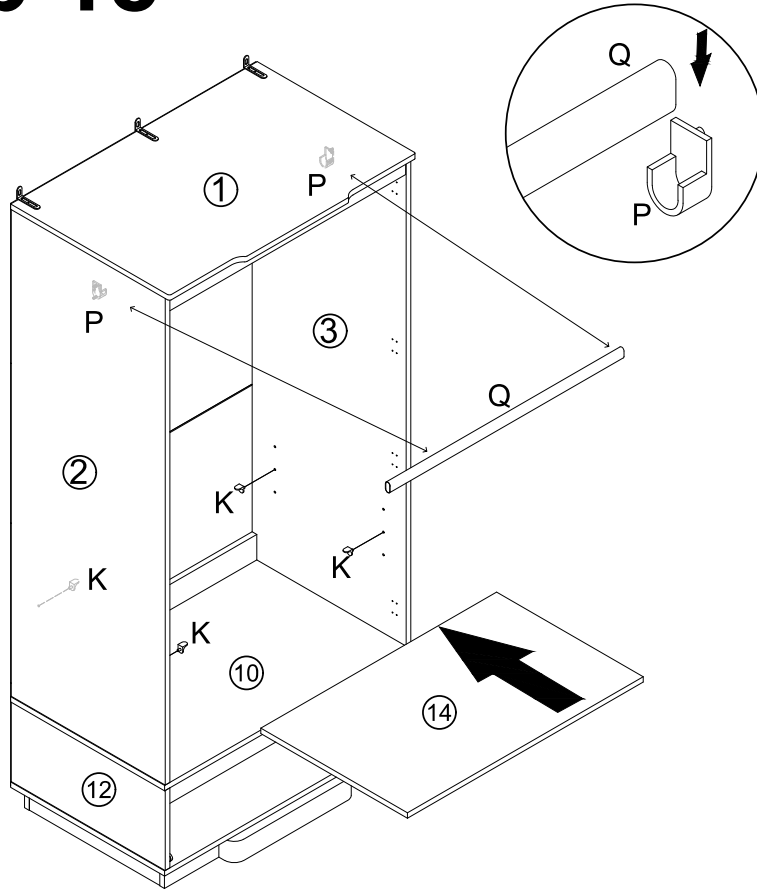
Step 16



Step 17

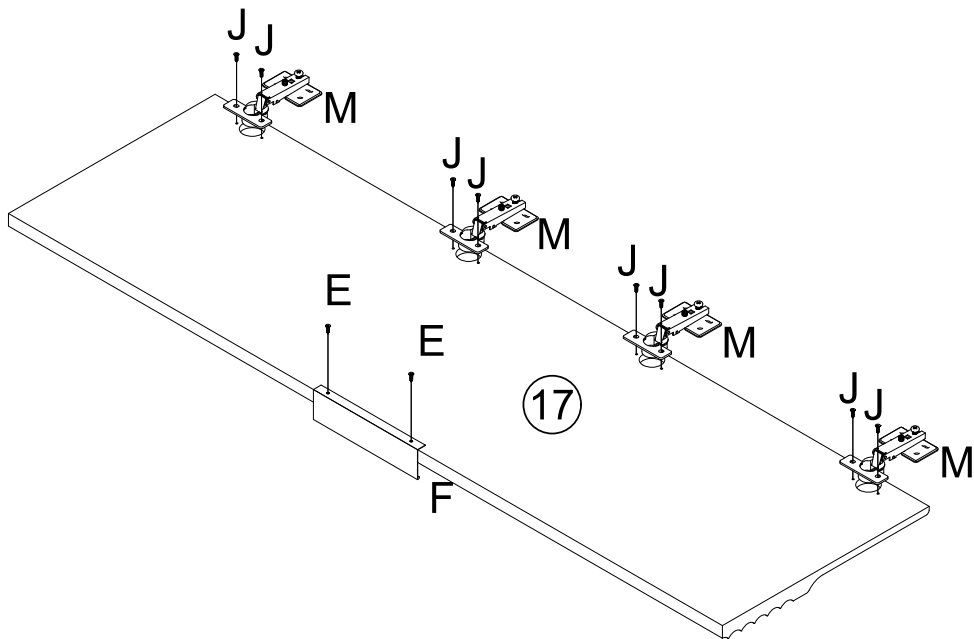


Step 18



	K X 4PCS		Q X 1PCS
--	----------	--	----------

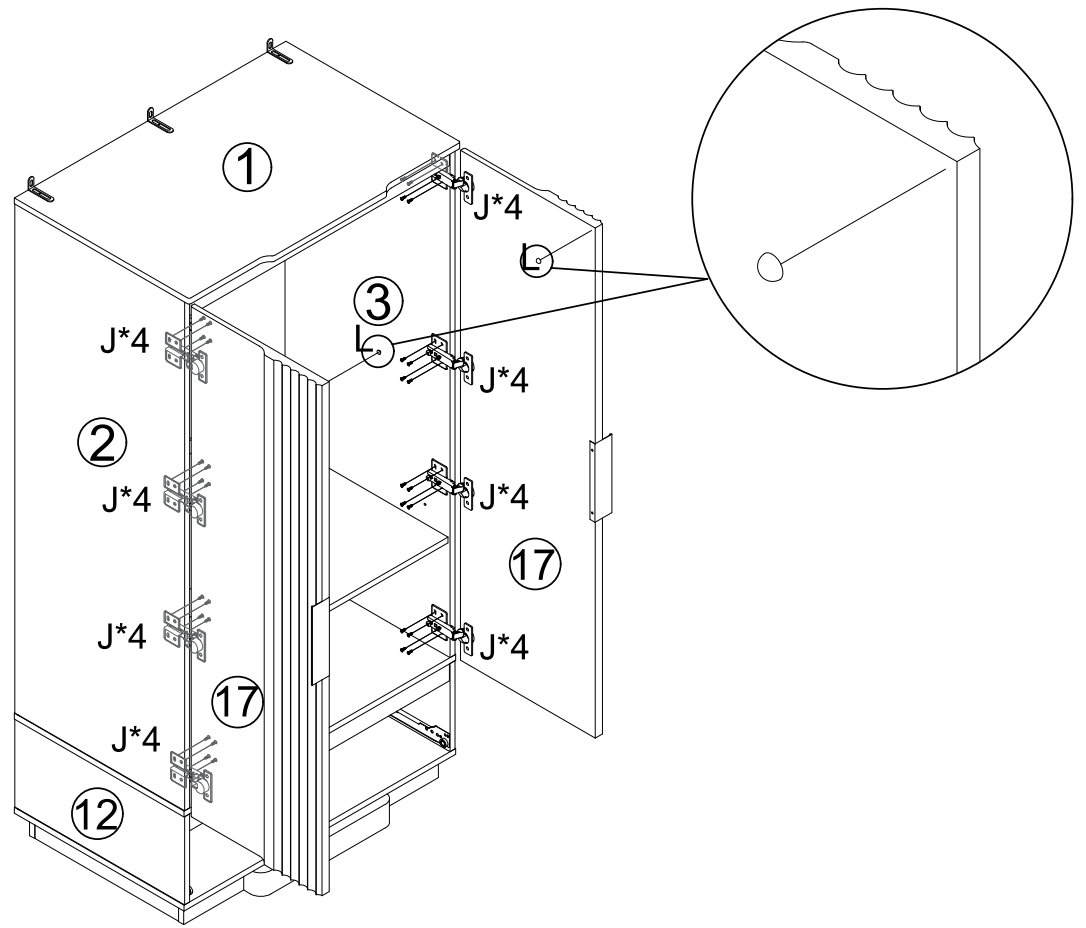
Step 19



x2

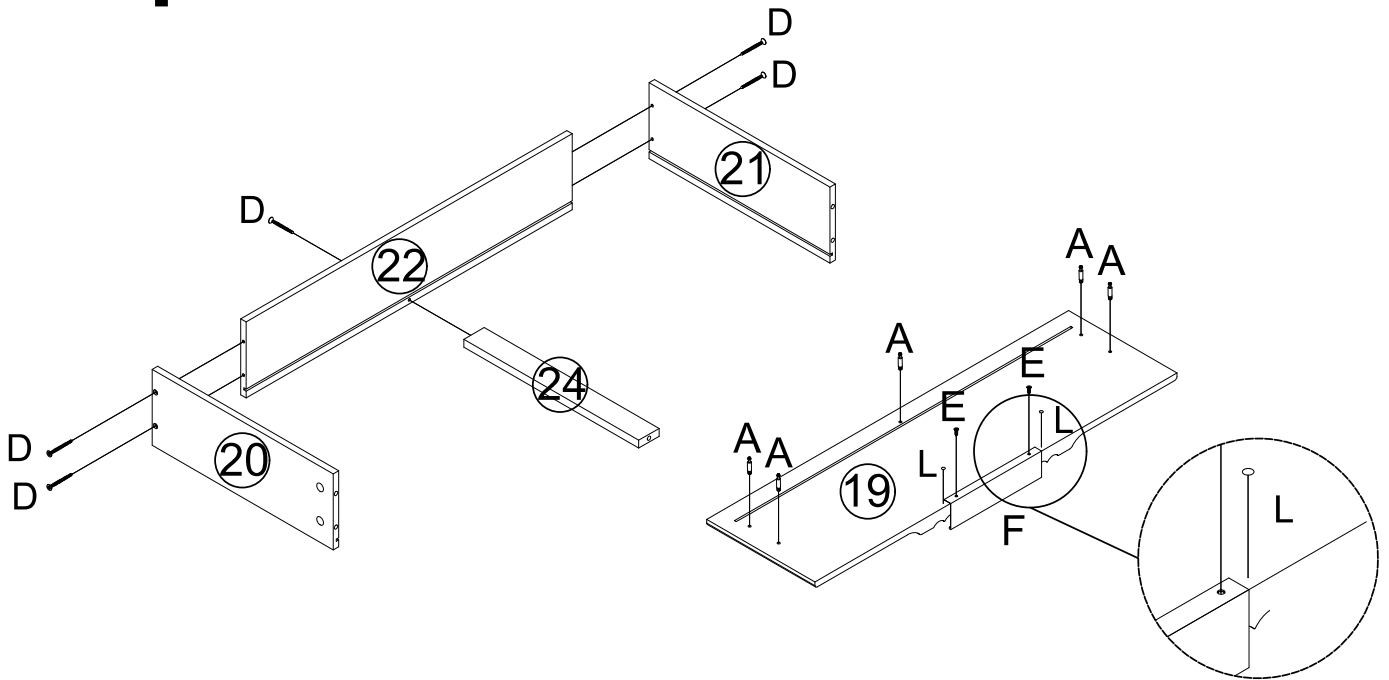
	E X 4PCS		F X 2PCS
	J X 16PCS		M X 8PCS

Step 20



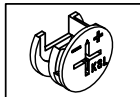
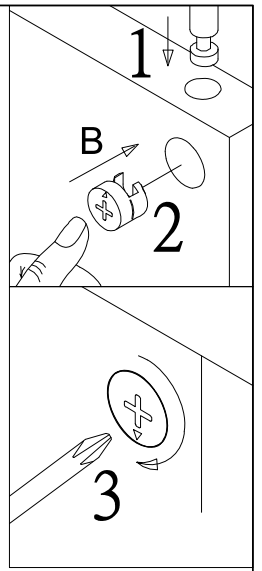
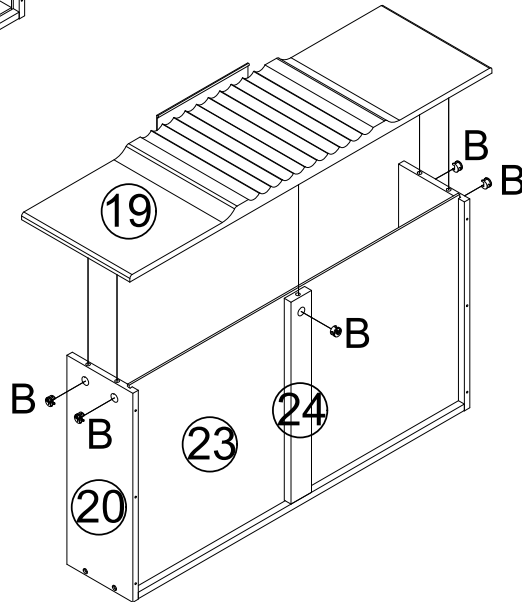
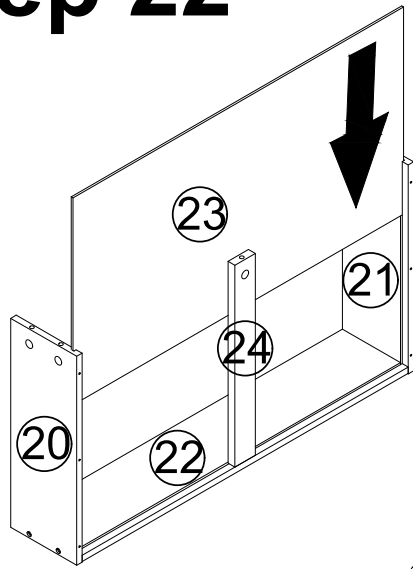
	L X 2PCS		J X 32PCS
---	----------	---	-----------

Step 21



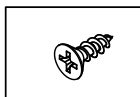
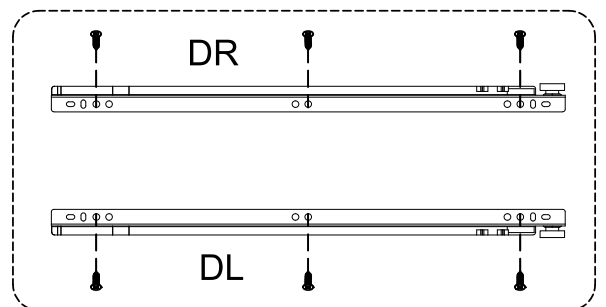
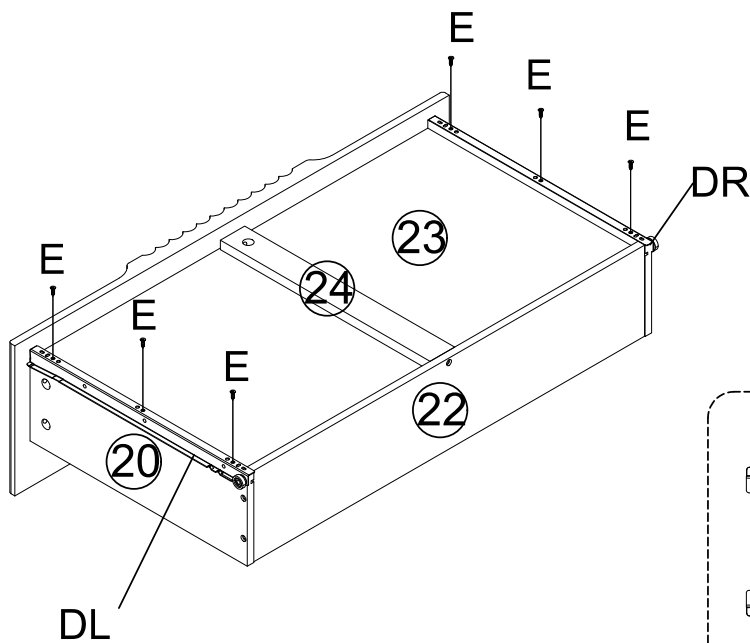
	A X 5PCS		D X 5PCS
	E X 2PCS		F X 1PCS
			L X 2PCS

Step 22



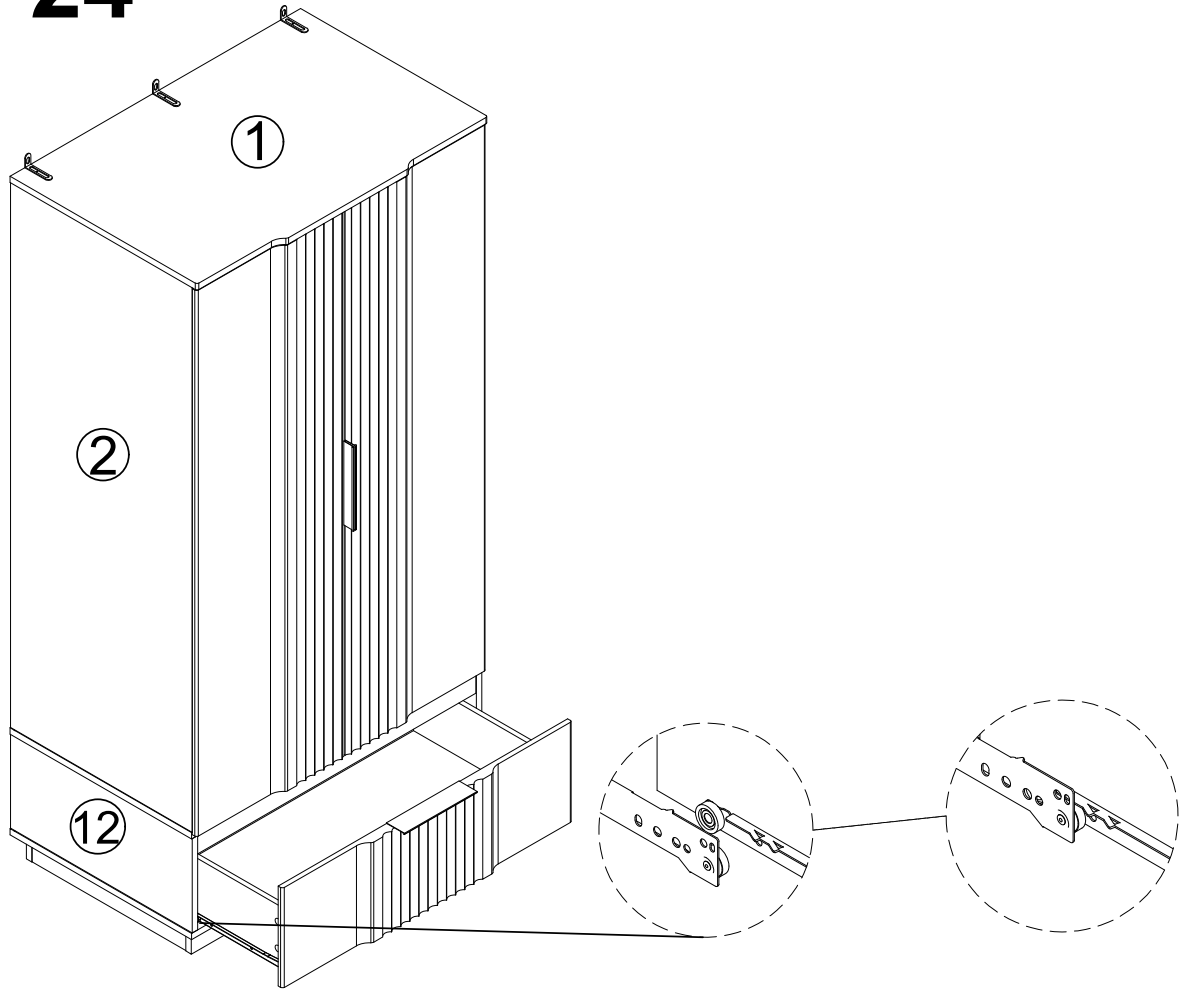
B X 5PCS

Step 23

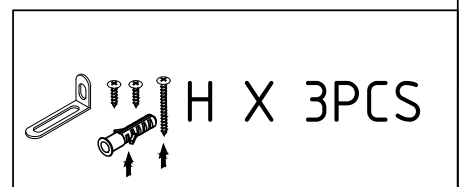
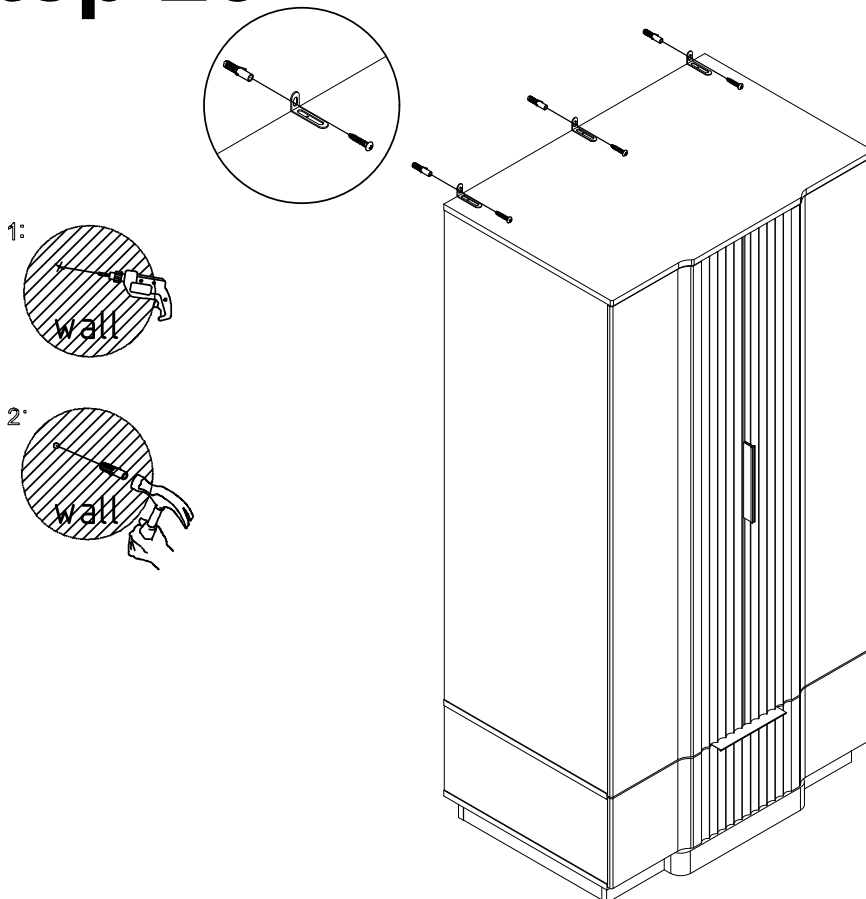


E X 6PCS

Step 24



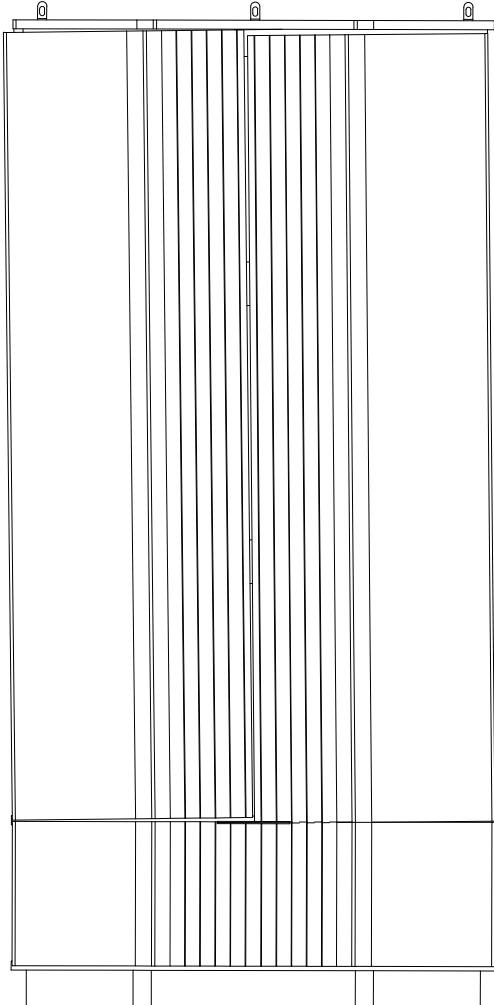
Step 25



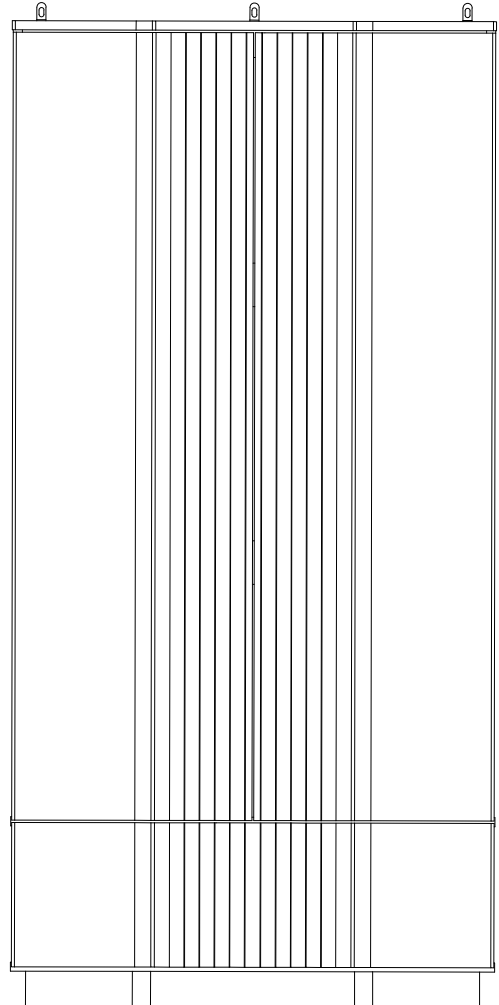
Customer Service Line: +1-888-292-2399

Customer Service Email: service7770@outlook.com

Before



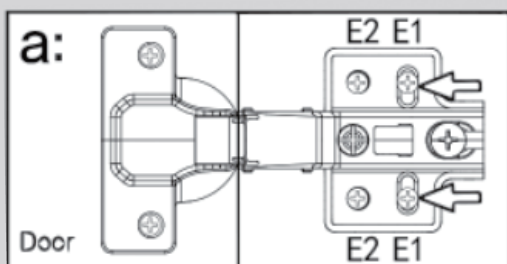
After



Installation tips: If the height of the door is inconsistent after installation, please Hinge adjustment.

Hinge adjustment

To facilitate the adjustment, install the E1 screw first, and then install the E2 screw.



Great bend



Middle curve

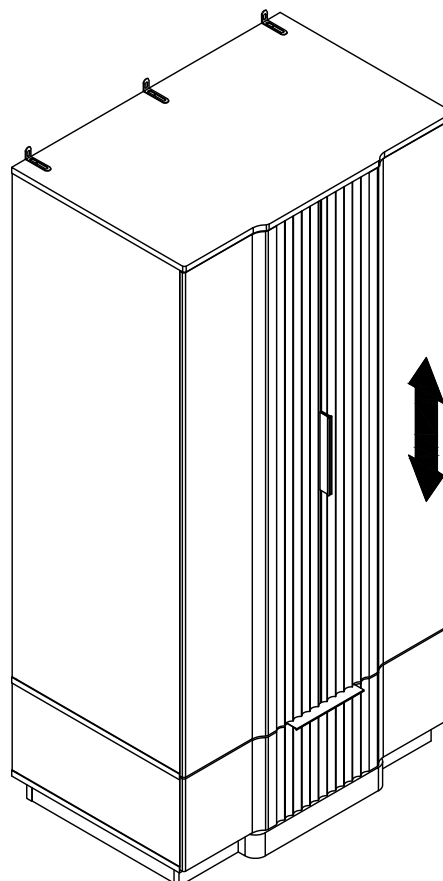
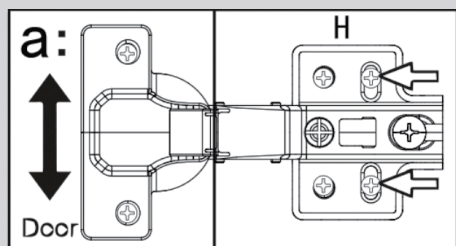


Straight arm

Hinge adjustment

a: To move doors up or down: loosen screws shown and move doors to suit.

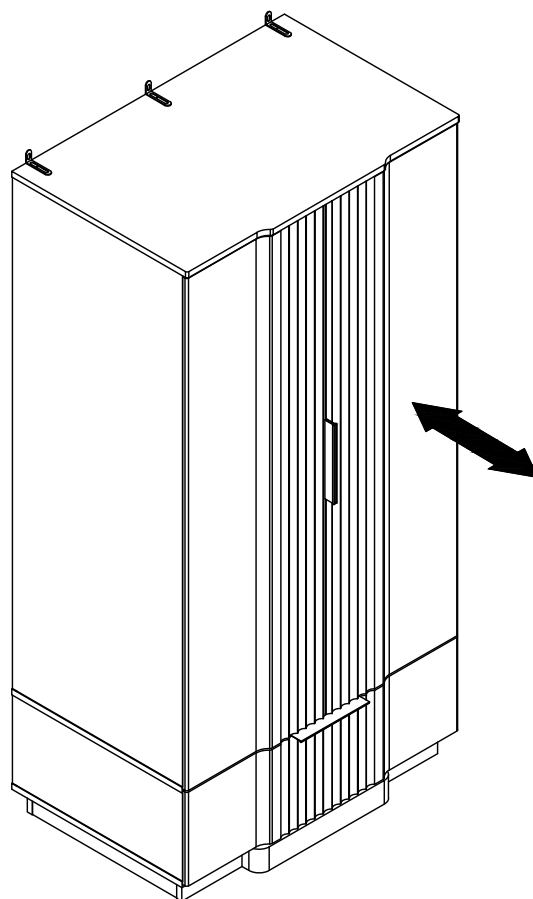
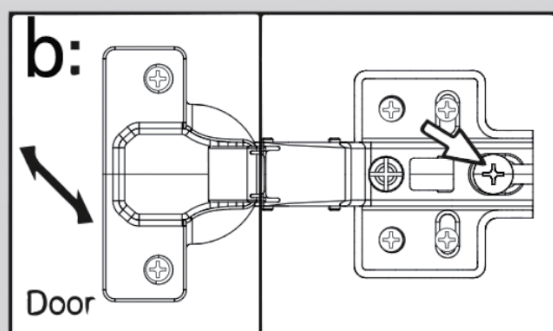
Once doors are aligned, re-tighten Screws H



Hinge adjustment

b: To move doors in or out: loosen screw shown and move doors to suit.

Re-tighten screws



Hinge adjustment

c: To move doors left or right: loosen screw shown and move doors to suit.

Re-tighten screws

