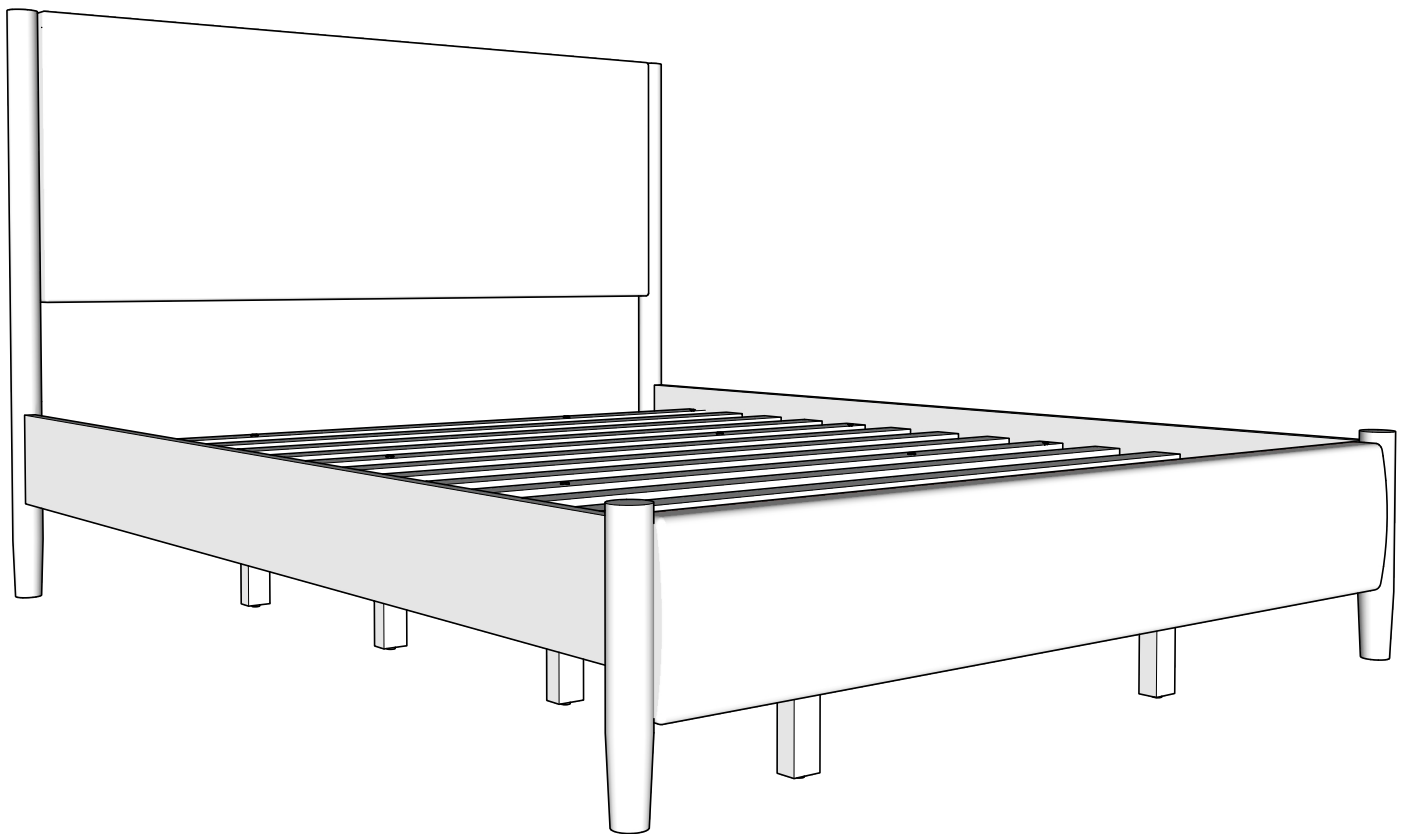


ASSEMBLY INSTRUCTIONS





IMPORTANT INFORMATION

Seller and Manufacturer disclaim all and any liability for property damage, personal injury, or loss, direct, indirect, or incidental, resulting from the incorrect assembly, inadequate maintenance, improper use, or neglect of this product.



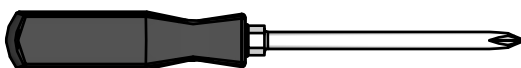
NOTICE

- Keep these assembly instructions for future reference.
- Do not use this product if there are missing, damaged, or broken parts until repairs are made and/or factory replacement parts are installed.
- Check all packing material carefully for small hardware that may have become loose inside the carton during shipment.
- Identify and count all hardware and parts to compare with parts and hardware list.
- Follow assembly instructions closely. Improper assembly can result in personal or property damage.
- Secure all bolts before use.
- Every 90 days check all bolts are secured.
- Some parts may have a sharp corner or edge and maybe heavy.
- Do not use or store this product near open flames or around flammable chemicals.
- When placing contents on non-carpeted flooring, it's recommended to use floor protection such as an area rug or furniture pads. These are not included with the purchase.
- Do not drag or push the bed frame. To ensure safe moving, always use two people to lift and re-position the bedframe. Avoid dragging or pushing it across the floor to prevent damage to the legs, slats, and the center support legs.

REPLACEMENT PART OR HARDWARE REQUEST:

Request a replacement by logging into the marketplace account in which the purchase was made and sending a message to the seller. To assist in expediting the request attach applicable images relevant to the request and/or part number and quantity.

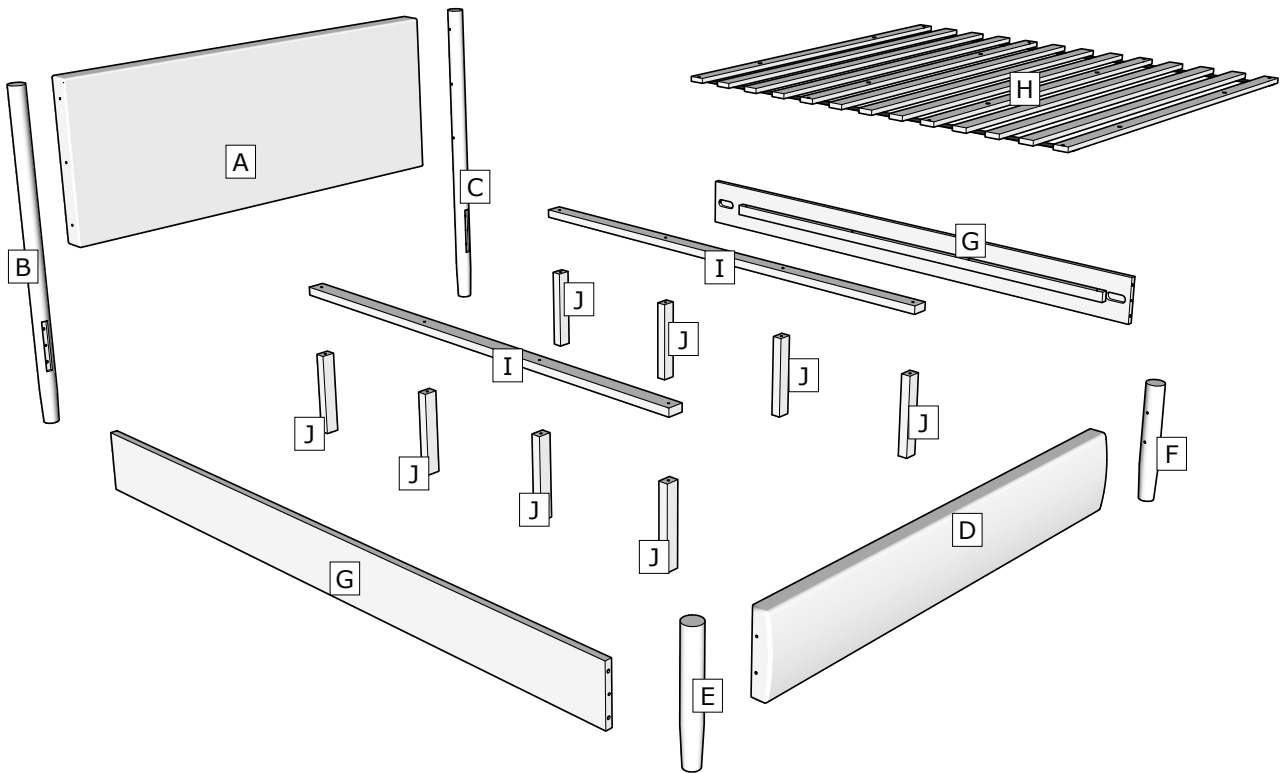
ADDITIONAL TOOL REQUIRED:



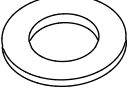

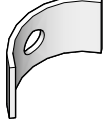
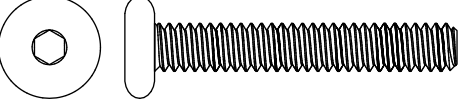
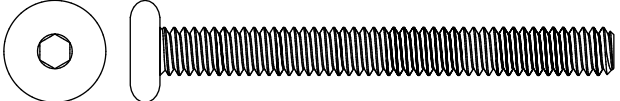
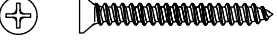

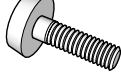
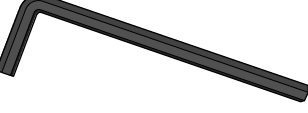
**#2 Philips Screwdriver
(Not Provided)**

BED PARTS

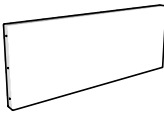
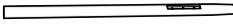
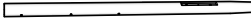



- A..... Headboard..... x 1
- B..... Headboard Leg Left x 1
- C..... Headboard Leg Right..... x 1
- D..... Footboard..... x 1
- E..... Footboard Leg Left..... x 1
- F..... Footboard Leg Right x 1
- G..... Side Rail..... x 2
- H..... Bed Slat x 13
- I Center Rail..... x 2
- J Center Support Leg..... x 8

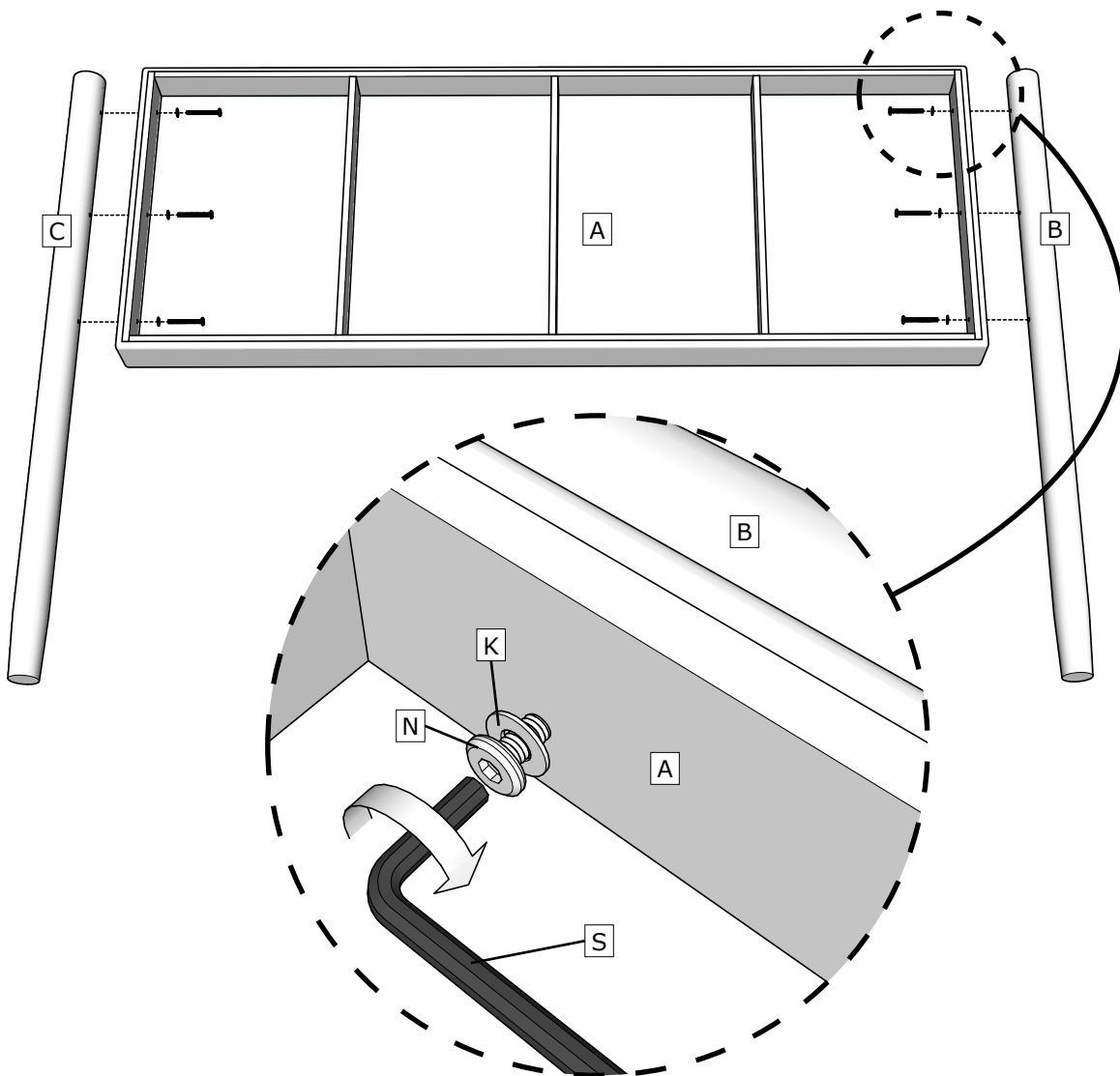


HARDWARE

<p>K Flat Washer x 10  M6</p>	<p>L Spring Washer x 4  M6</p>	<p>M Bend Washer x 4  3014</p>
<p>N Bolt x 10  M6 x 40mm</p>	<p>O Bolt x 12  M6 x 60mm</p>	
<p>P Screw x 8  M4 x 25mm</p>	<p>Q Dowel x 8 </p>	<p>R Leg Adjuster x 8 </p>
<p>S Hex Key Wrench x 1  M4</p>		







BED ASSEMBLY STEP 1

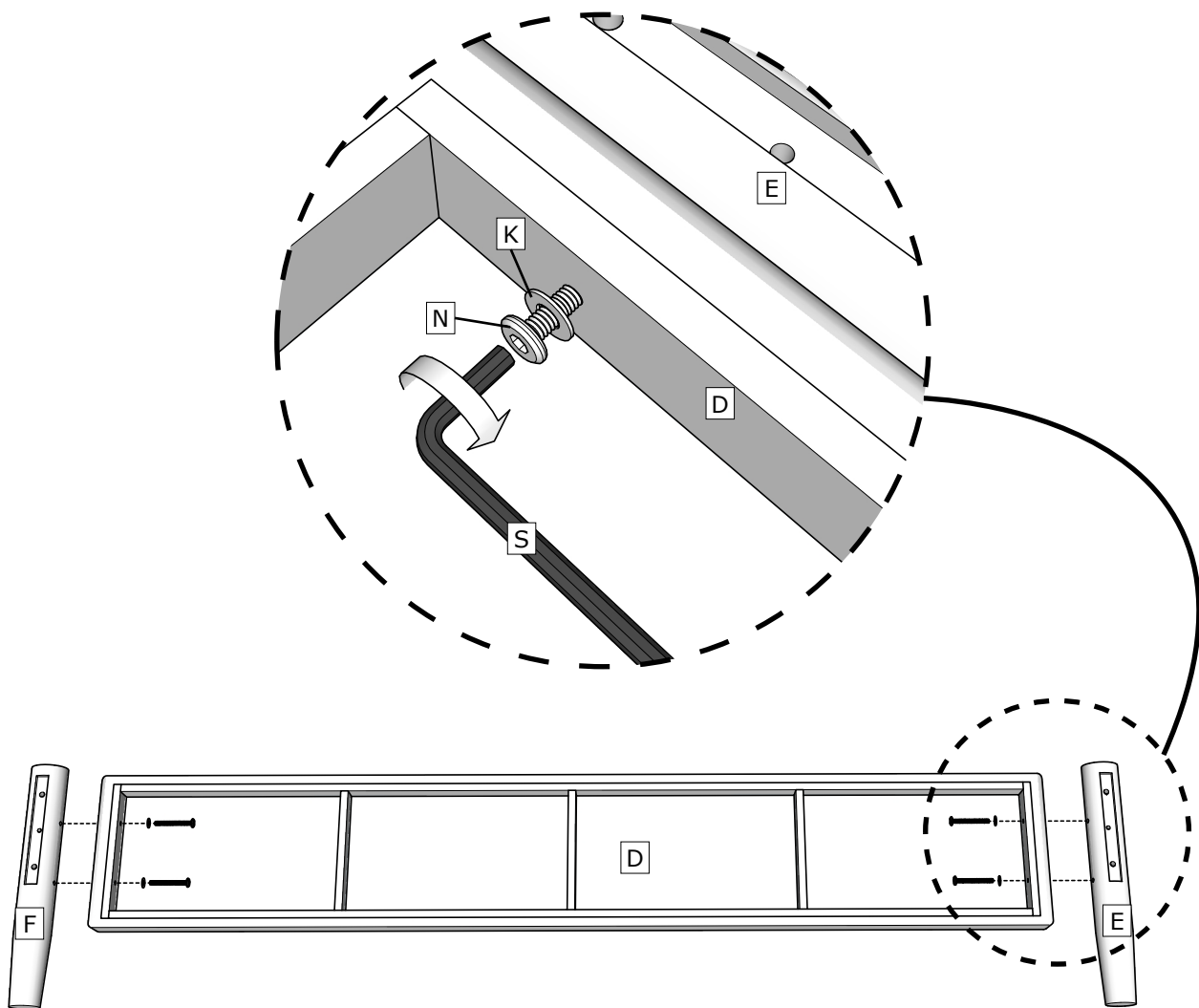
A x1 Headboard 	B x1 Headboard Leg Left 	C x1 Headboard Leg Right 	N x6 Bolt  M6 x 40mm
K x6 Flat Washer  M6	S x1 Hex Key Wrench  M4		



Attach **A** to **B** and **C** with **K** and **N** using a Hex Key Wrench **S** as shown.

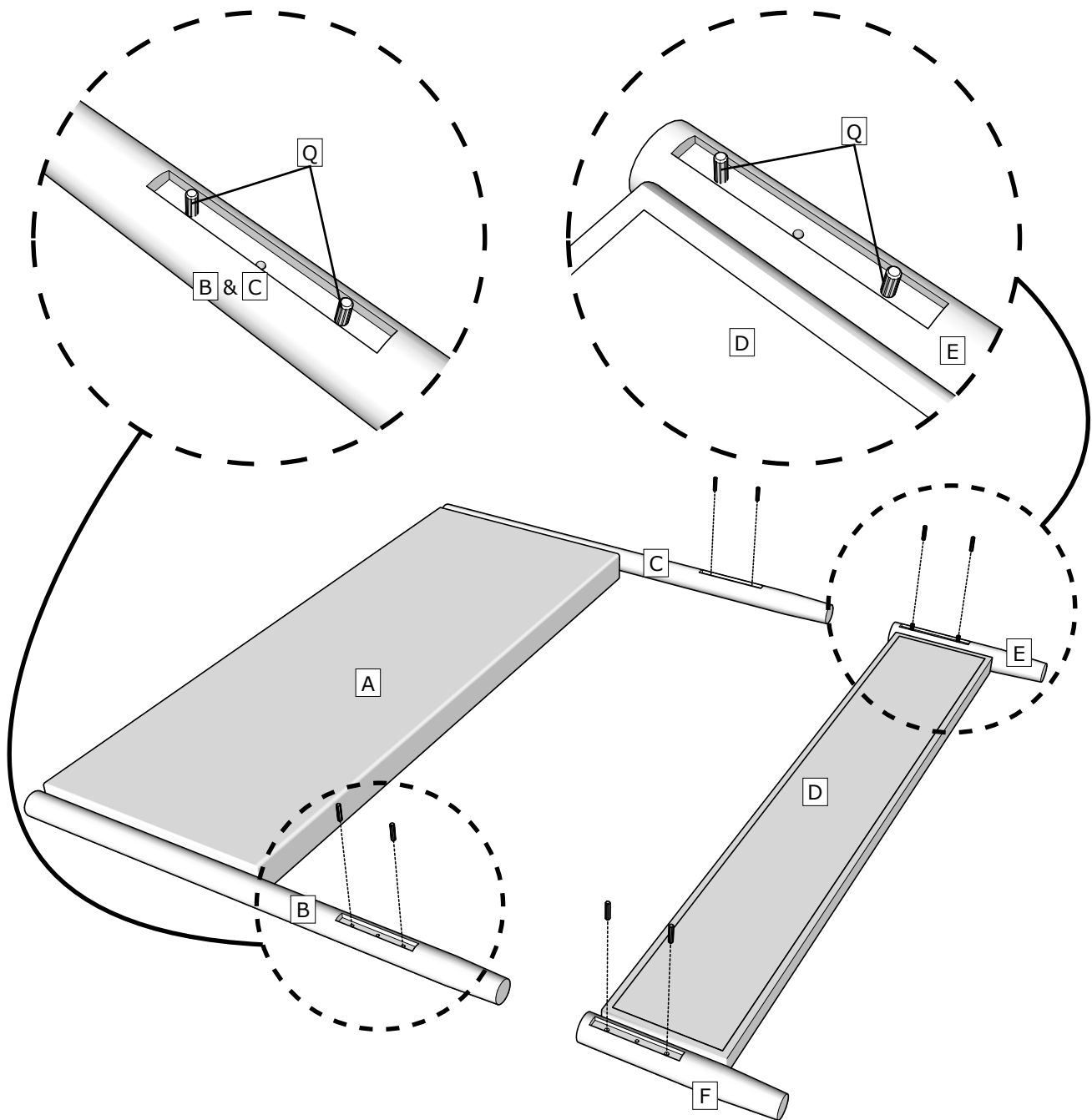
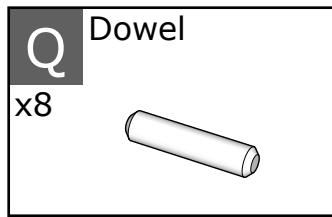
BED ASSEMBLY STEP 2

D Footboard x1 	E Footboard Leg Left x1 	F Footboard Leg Right x1 	K Flat Washer x4 M6 
N Bolt x4 M6 x 40mm 	S Hex Key Wrench x1 M4 		



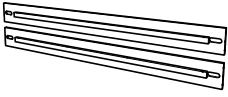
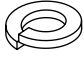



Attach **D** to **E** and **F** with **K** and **N** using a Hex Key Wrench **S** as shown.

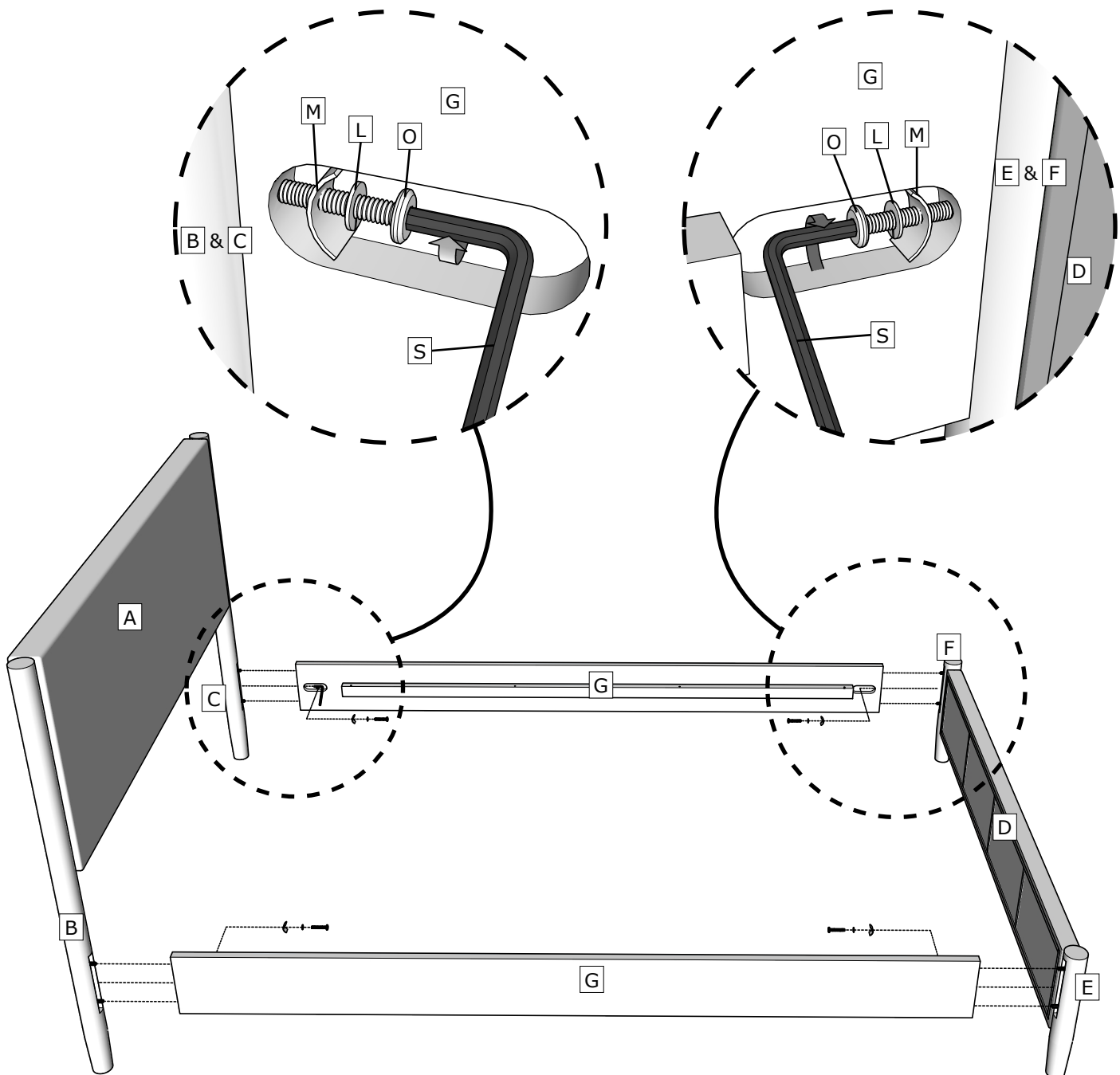
BED ASSEMBLY STEP 3



Insert **Q** into Assembled Headboard and Assembled Footboard as shown.

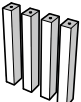
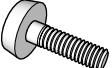
BED ASSEMBLY STEP 4

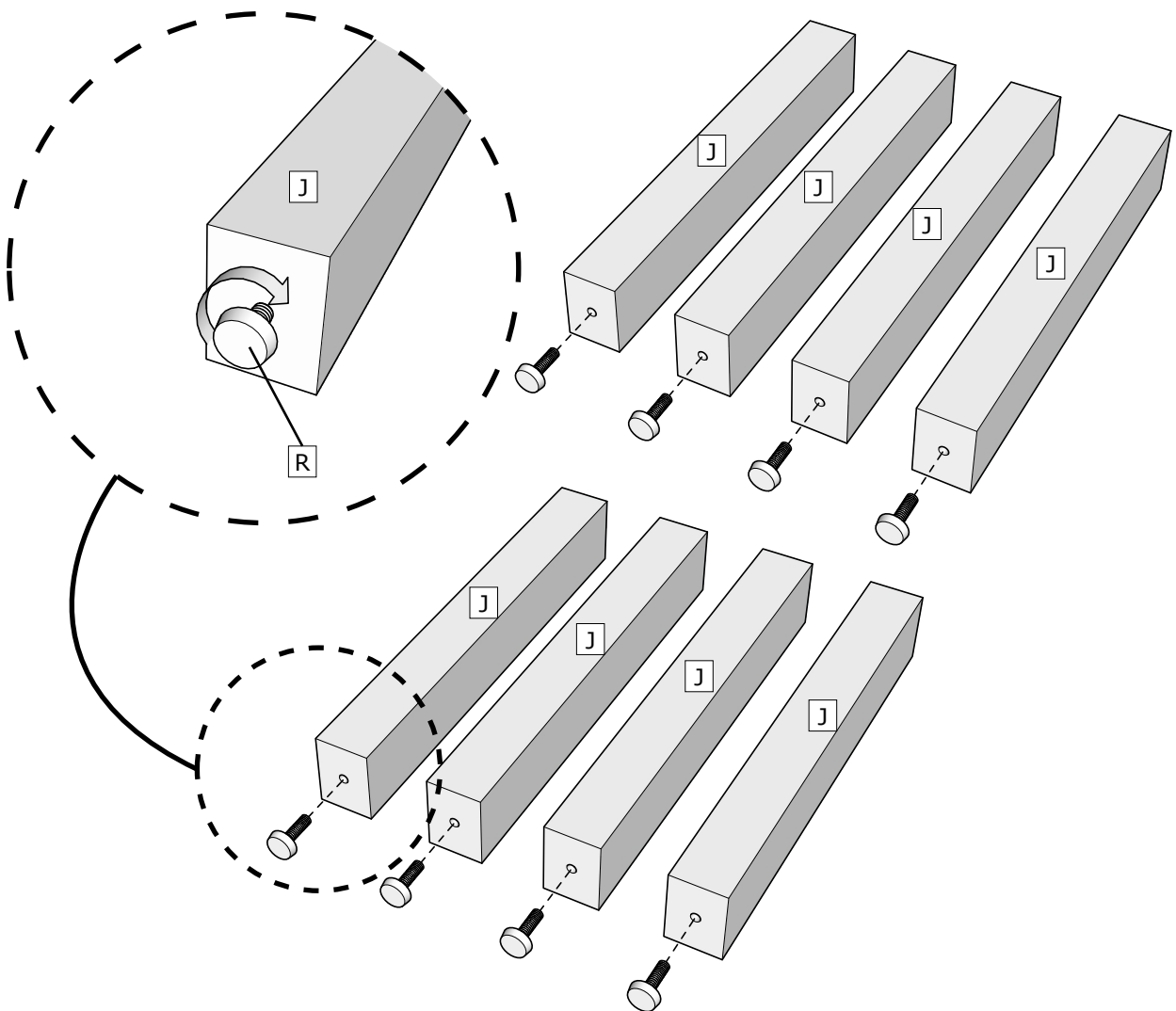
G Side Rail x2 	L Spring Washer x4  M6	M Bend Washer x4  M6	O Bolt x4  M6 x 60mm
S Hex Key Wrench x1  M4			



Attach **G** to Assembled Headboard and Assembled Footboard with **O**, **L**, and **M** using a Hex Key Wrench **S** as shown.





BED ASSEMBLY STEP 5

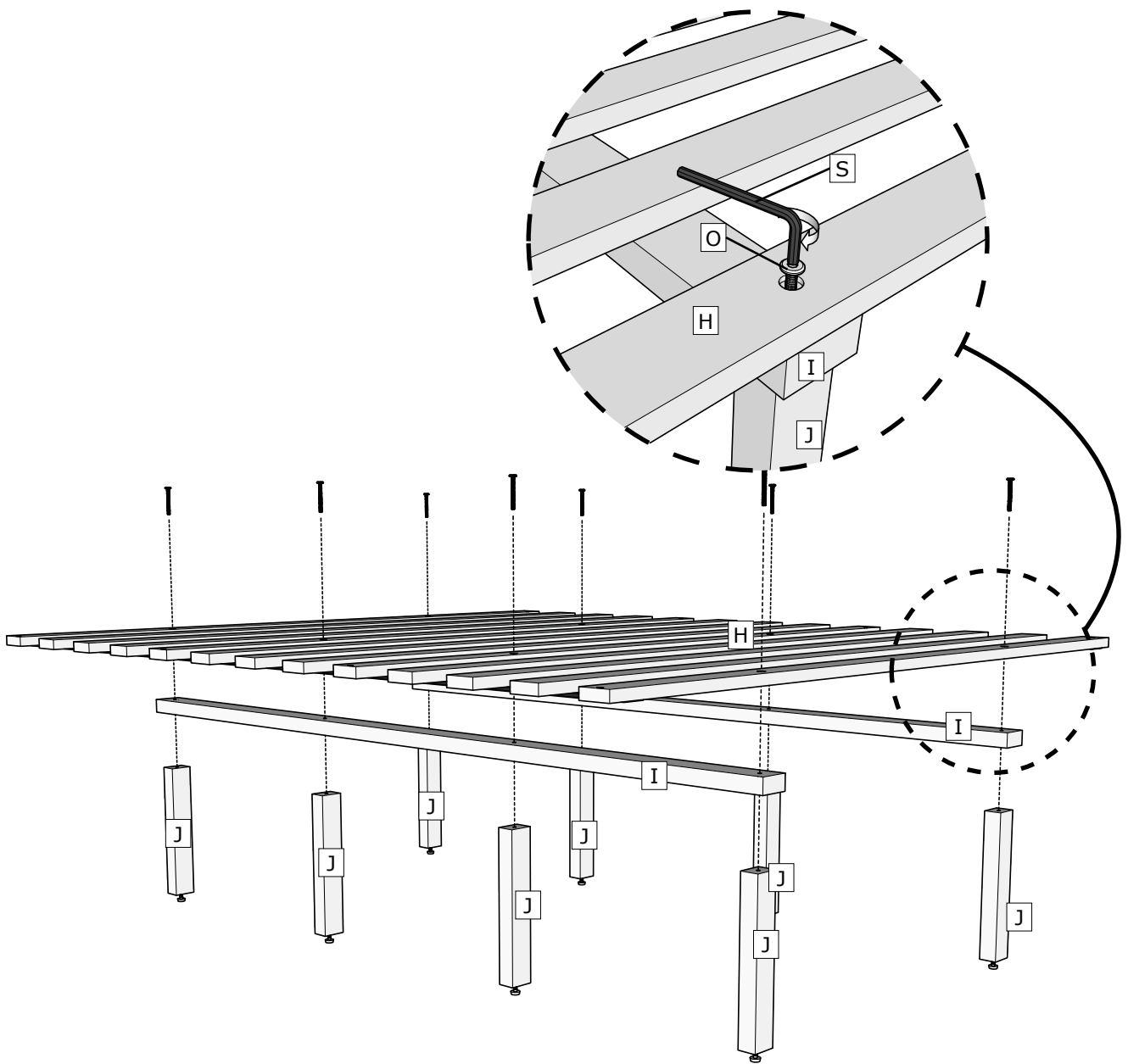
J Center Support Leg x8 	R Leg Adjuster x8 
--	---



Insert **R** into **J** by turning it clockwise as shown.



BED ASSEMBLY STEP 6

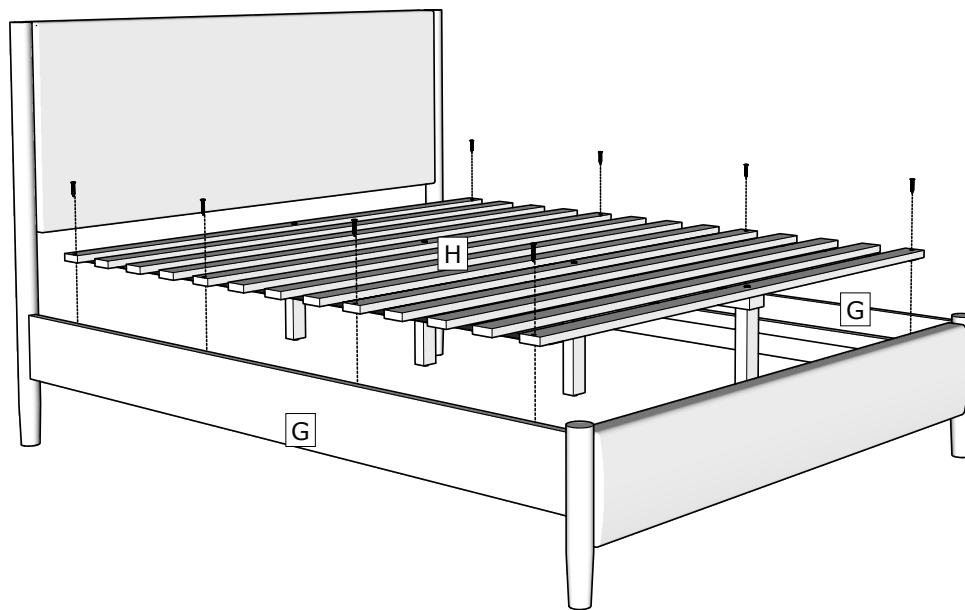
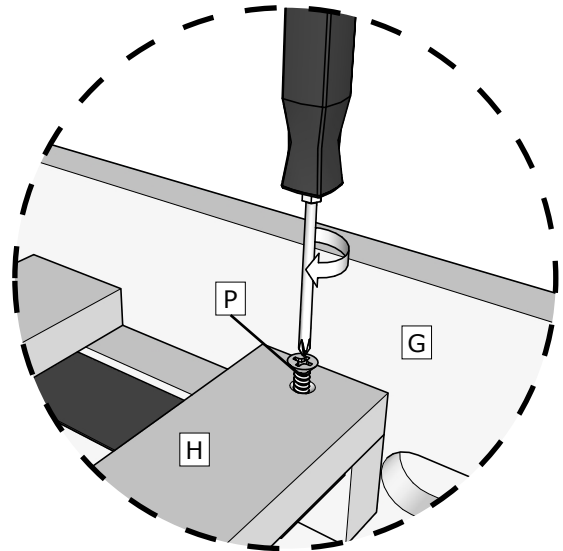
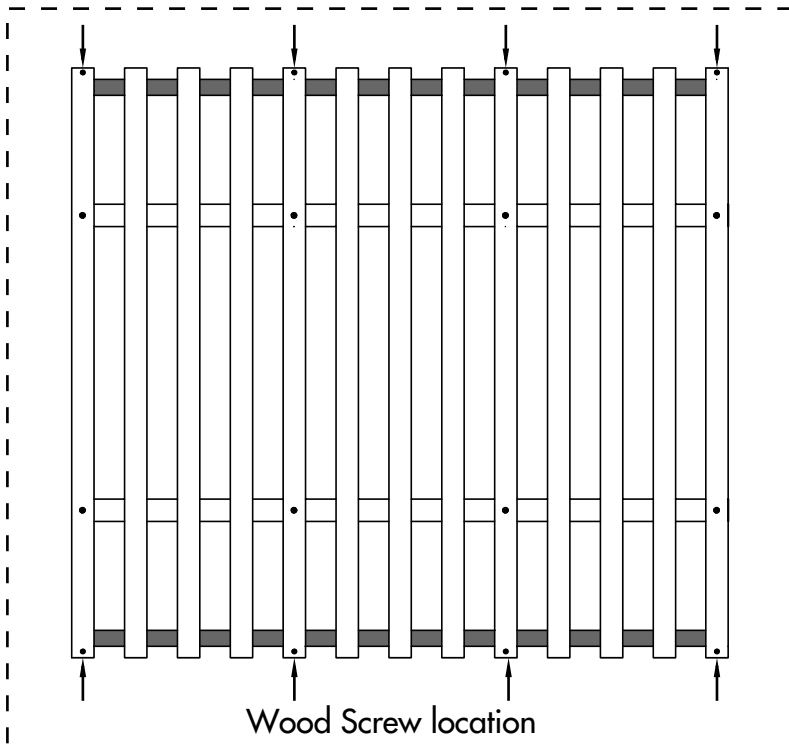
H Bed Slat x13 	I Center Rail x2 	O Bolt x8  M6 x 60mm	S Hex Key Wrench x1  M4
---	---	--	--



Attach **H** and **J** to **I** with **O** using a Hex Key Wrench **S** as shown.

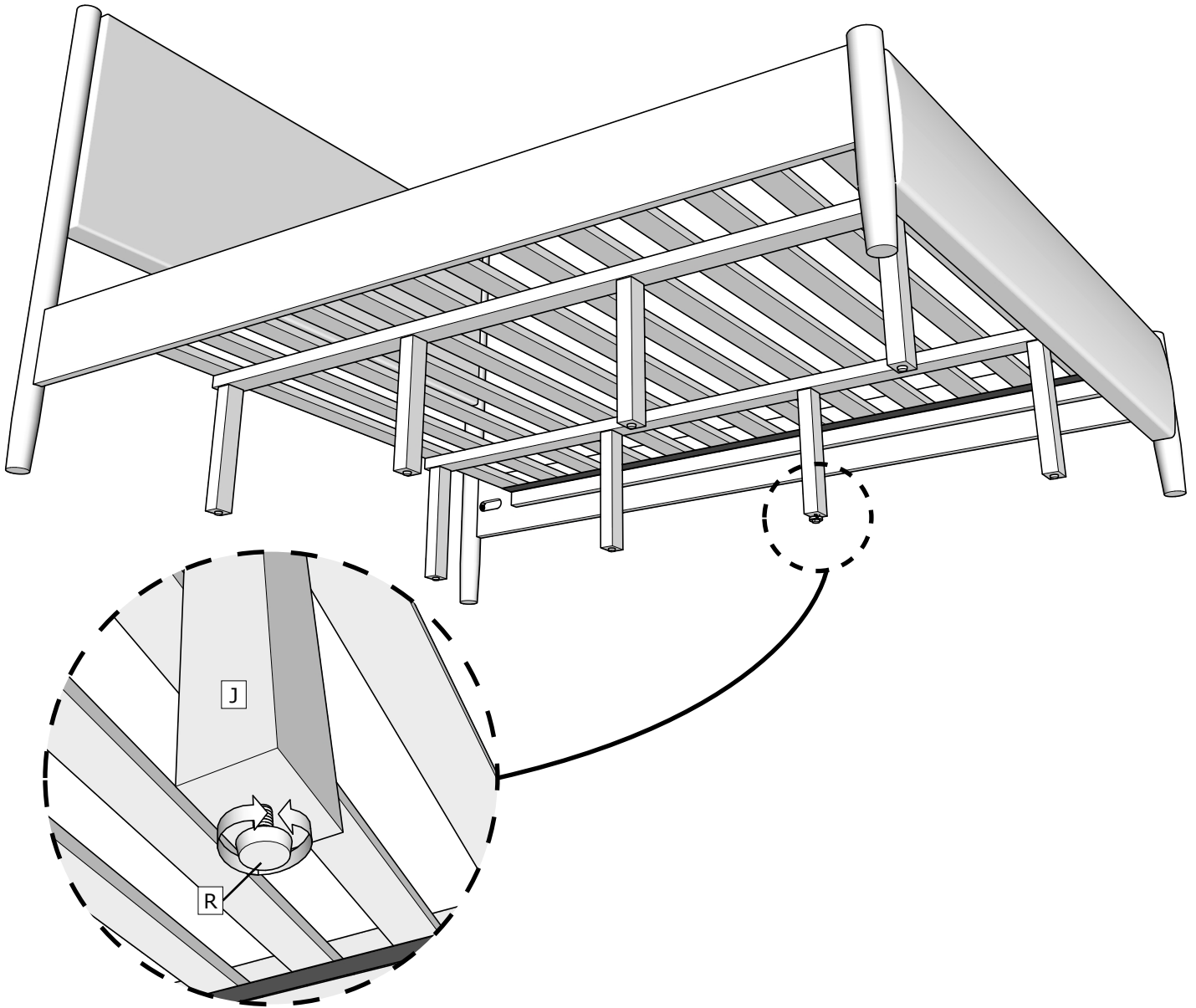
BED ASSEMBLY STEP 7

P Screw x8 ⊕  M4 x 25mm	Philips Screwdriver  Not provided
--	---



Attach Assembled Bed Slats to Assembled Bed with **P** using a Philips Screwdriver as shown.

BED ASSEMBLY STEP 8



WARNING!

- Make Sure that Adjustable Feet are perpendicular to the floor before using the bed. Rotate Adjustable Feet clockwise or counter clockwise until it is firmly against the floor.
- Do not drag or push the bed frame. To ensure safe moving, always use two people to lift and re-position the bed frame. Avoid dragging or pushing it across the floor to prevent damage to the legs, slats, and center support legs.