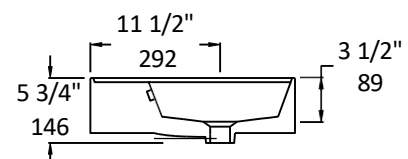
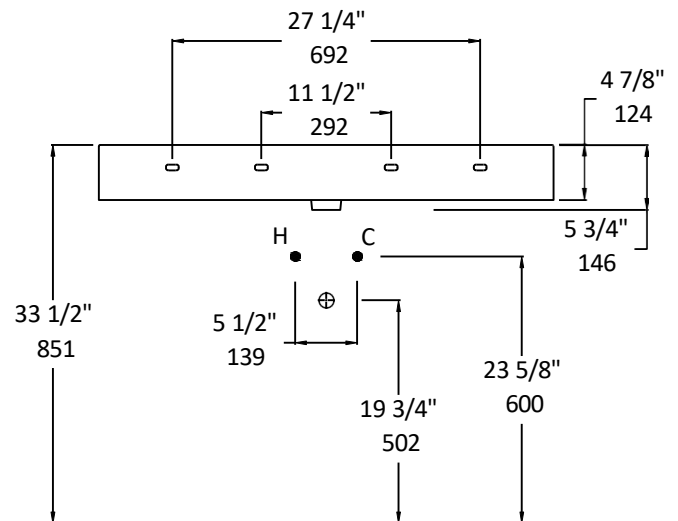
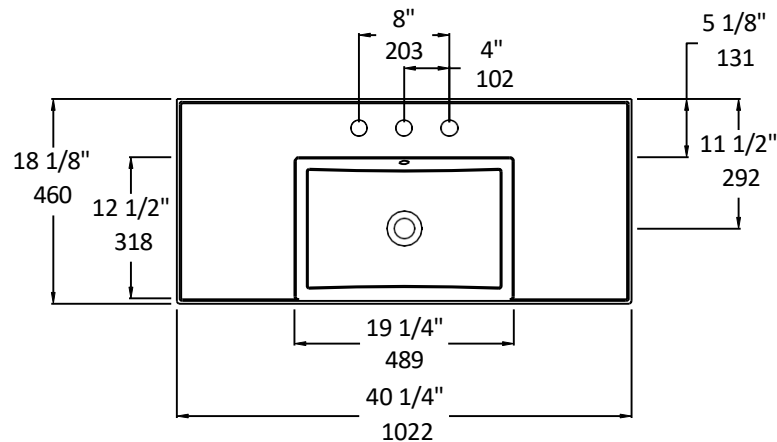


Specifications:

Installation:	wall mount or vanity top
Exterior Dimensions:	40 1/4" x 18 1/8" x 5 3/4"
Material:	porcelain
Weight:	54 lbs
Overflow:	yes
Finishes:	001 - white
Faucet Holes:	00 - no hole 01 - one centered hole 02 - two hole - center and right, 4" spread 03 - three hole, 8" spread

Faucet Hole Size:	Ø 1 3/8"
Drain Hole Size:	Ø 1 3/4"



Features:

- Wall mounting hardware included
- Unfinished back wall

Codes + Standards:

- Meets and exceeds applicable national codes and standards

Recommended Items:

- Furniture
 - AQS-W-40 - Wall-mount under-counter vanity with four push-open drawers
 - AQS-F-40 - Free-standing under-counter vanity with finger pulls across top doors and pulls for bottom drawers
 - AQS-BX-40 - Console stand with towel bars with optional shelf
 - AQT-W-40 - Wall-mount under counter vanity with 1 door, and 2 drawers on the right
- Drain with overflow
 - 7100-16OF
 - 7100-13OF
 - 7100-17

LACAVA reserves the right to revise any dimension or information on this sheet without notice. Dimensions are nominal and may vary within an industry accepted tolerance of 1/4". Drawings provided herein are meant to give the user an idea of the product and are not made to scale.

Revised: 11/18/25