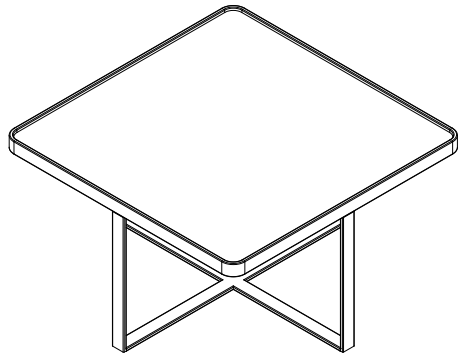


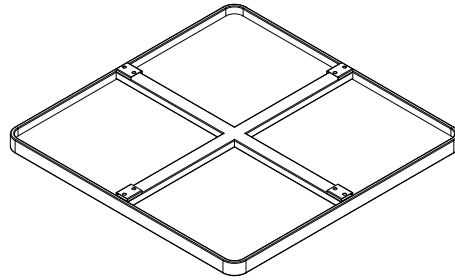
Assembly Instruction (WLF-C22)



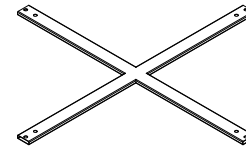
Parts List

Open the hardware check all parts QTY, thanks

⚠ Assemble on a mat that is not easy to scratch
The screw must be loose to finish



A x 1



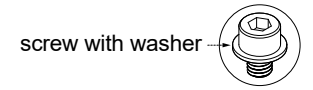
B x 1



C x 4



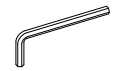
E x 4



screw with washer



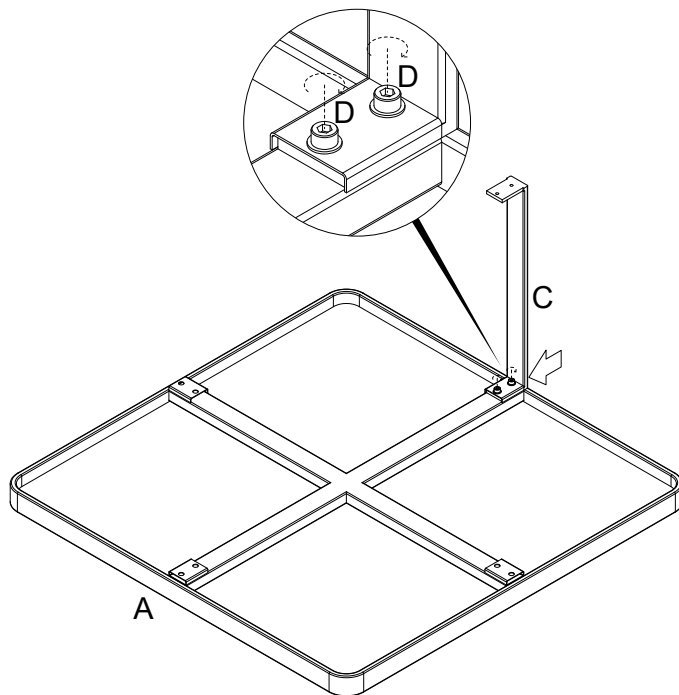
D x 12



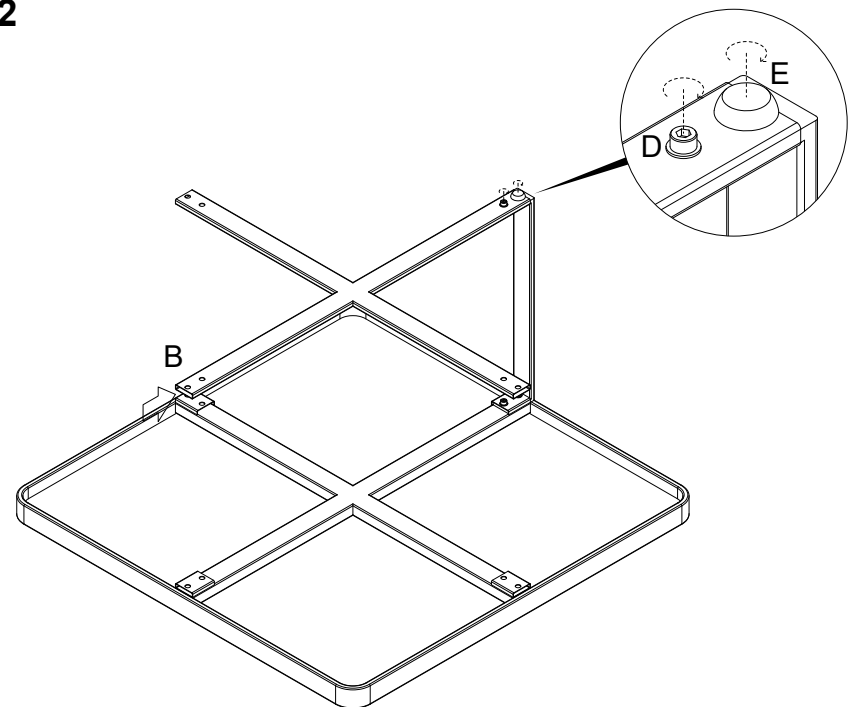
F x 1

("D" Screwing tool)
(Tighten clockwise)

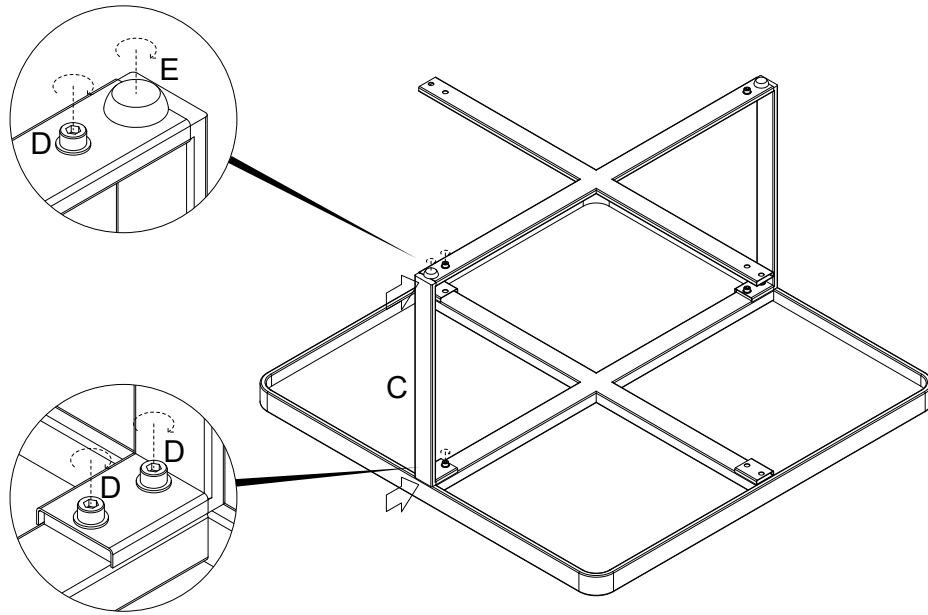
Step 1



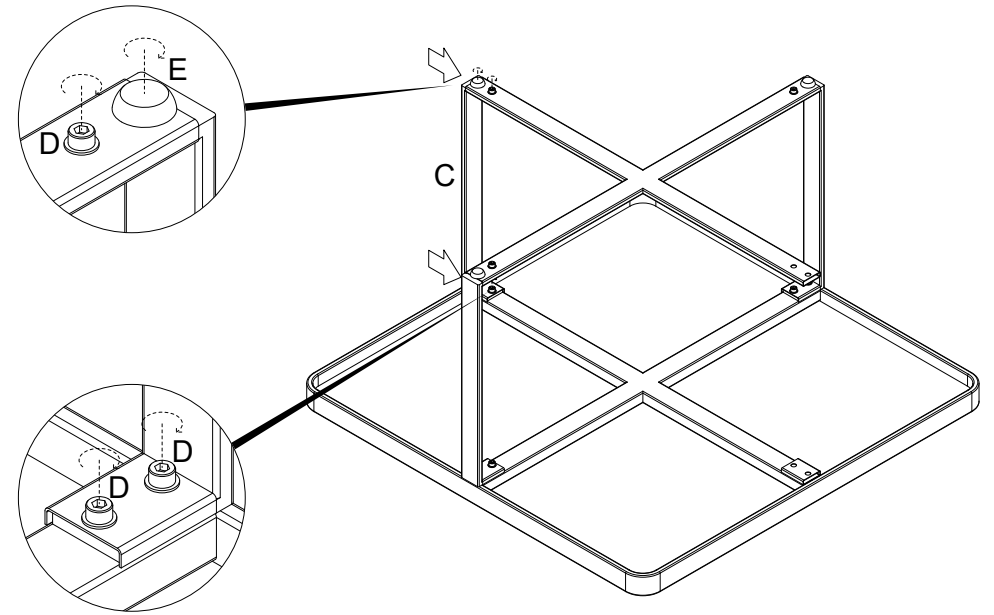
Step 2



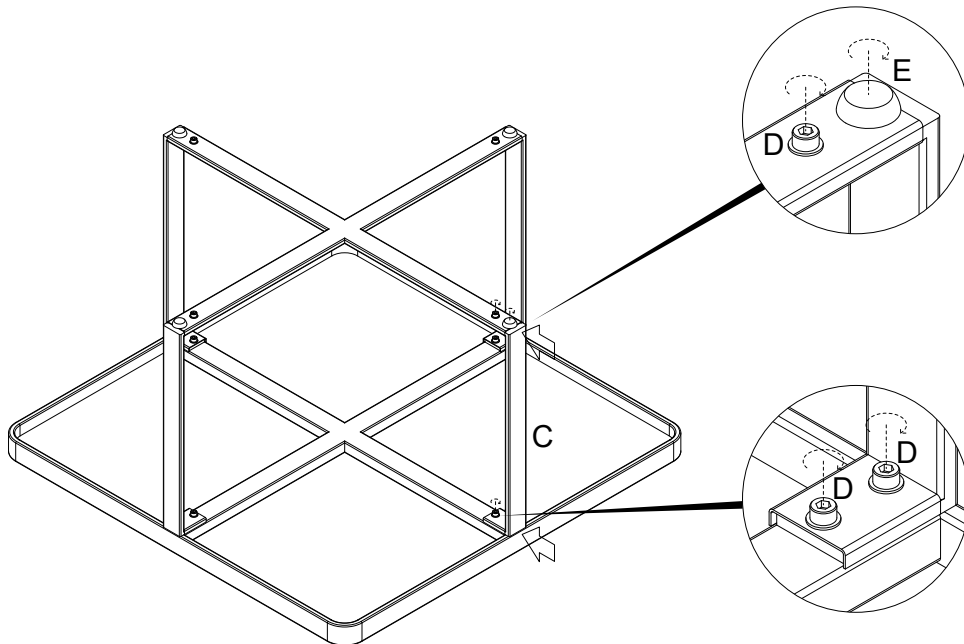
Step 3



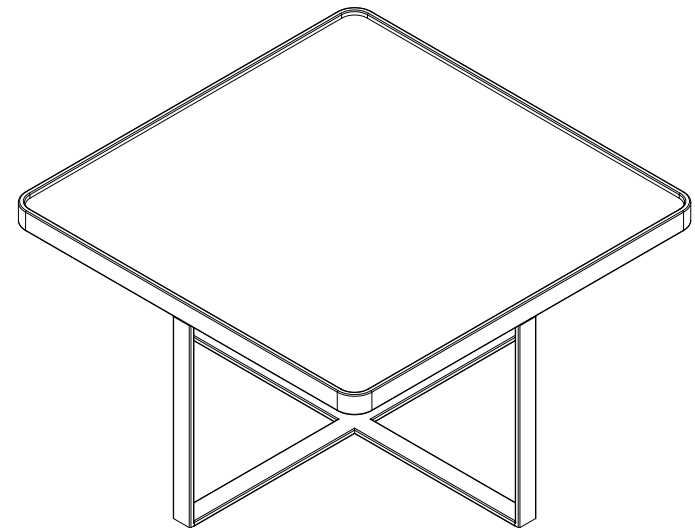
Step 4



Step 5



Step 6



Tighten all screws and turn it over to finish