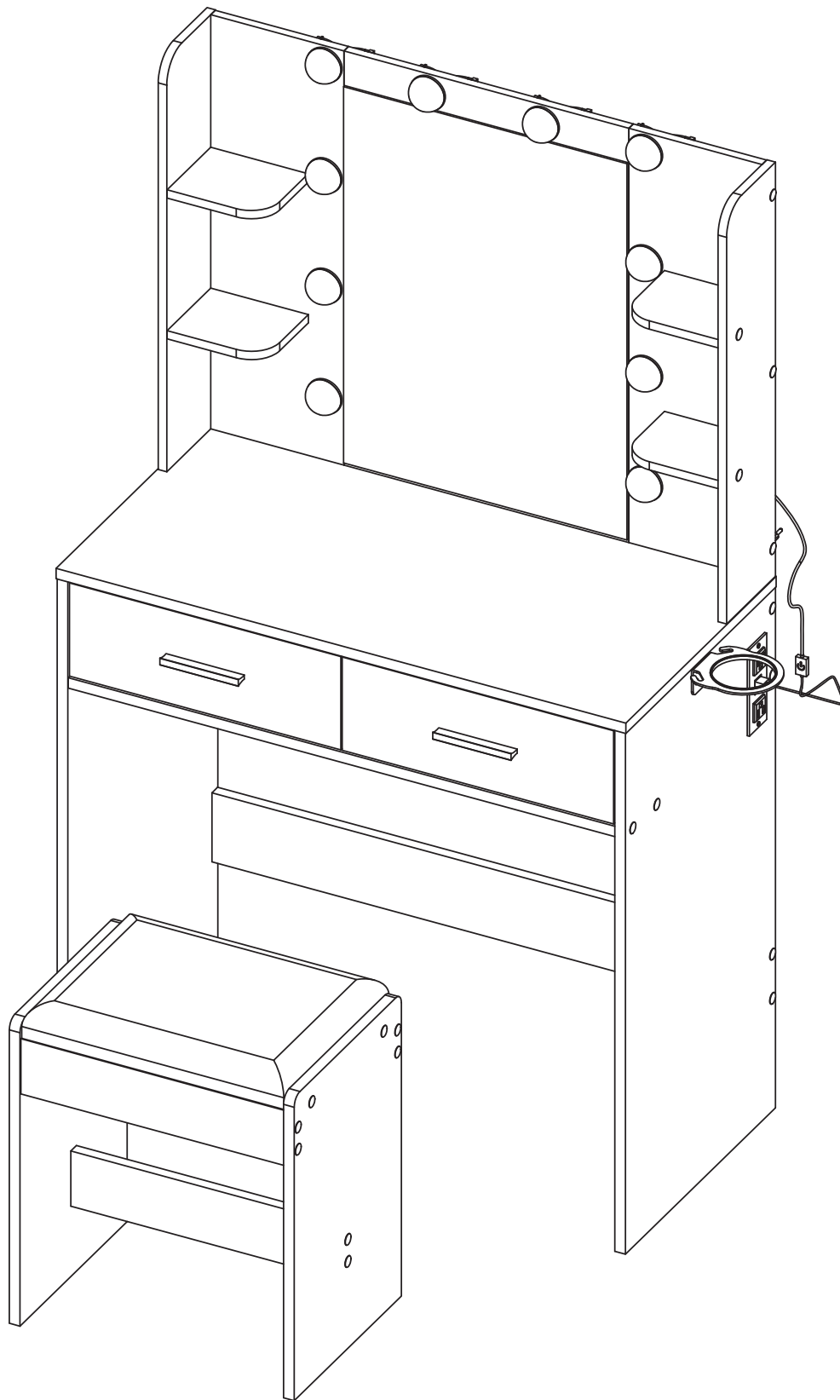
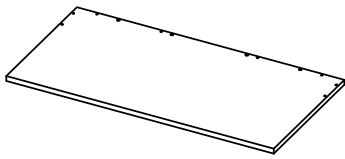
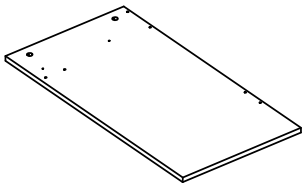
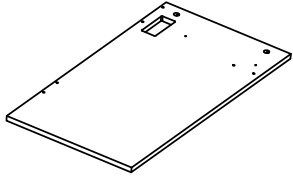
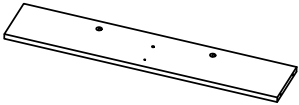
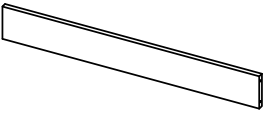
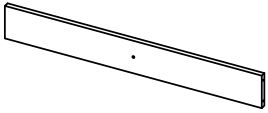
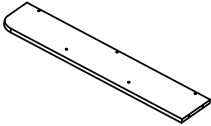
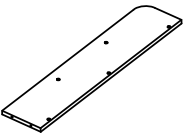
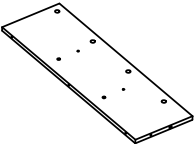
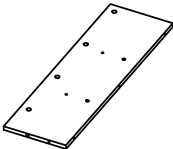

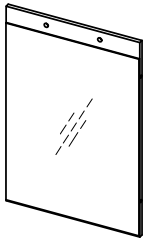
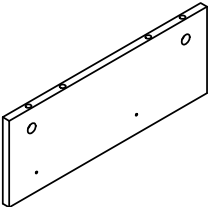
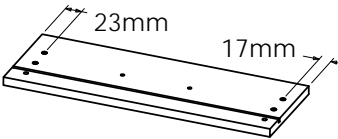
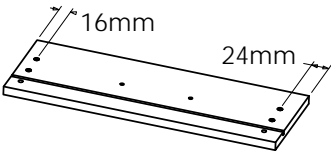
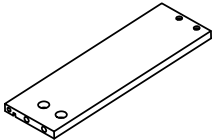
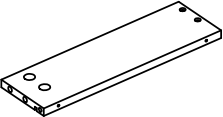
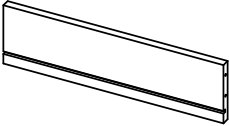
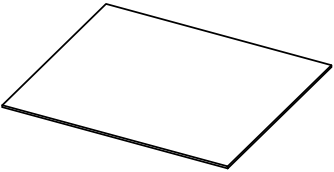
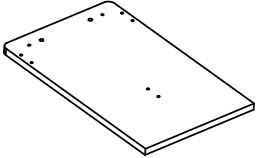
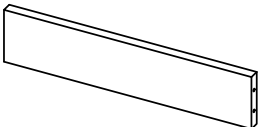
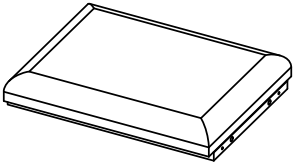


# ASSEMBLY INSTRUCTIONS

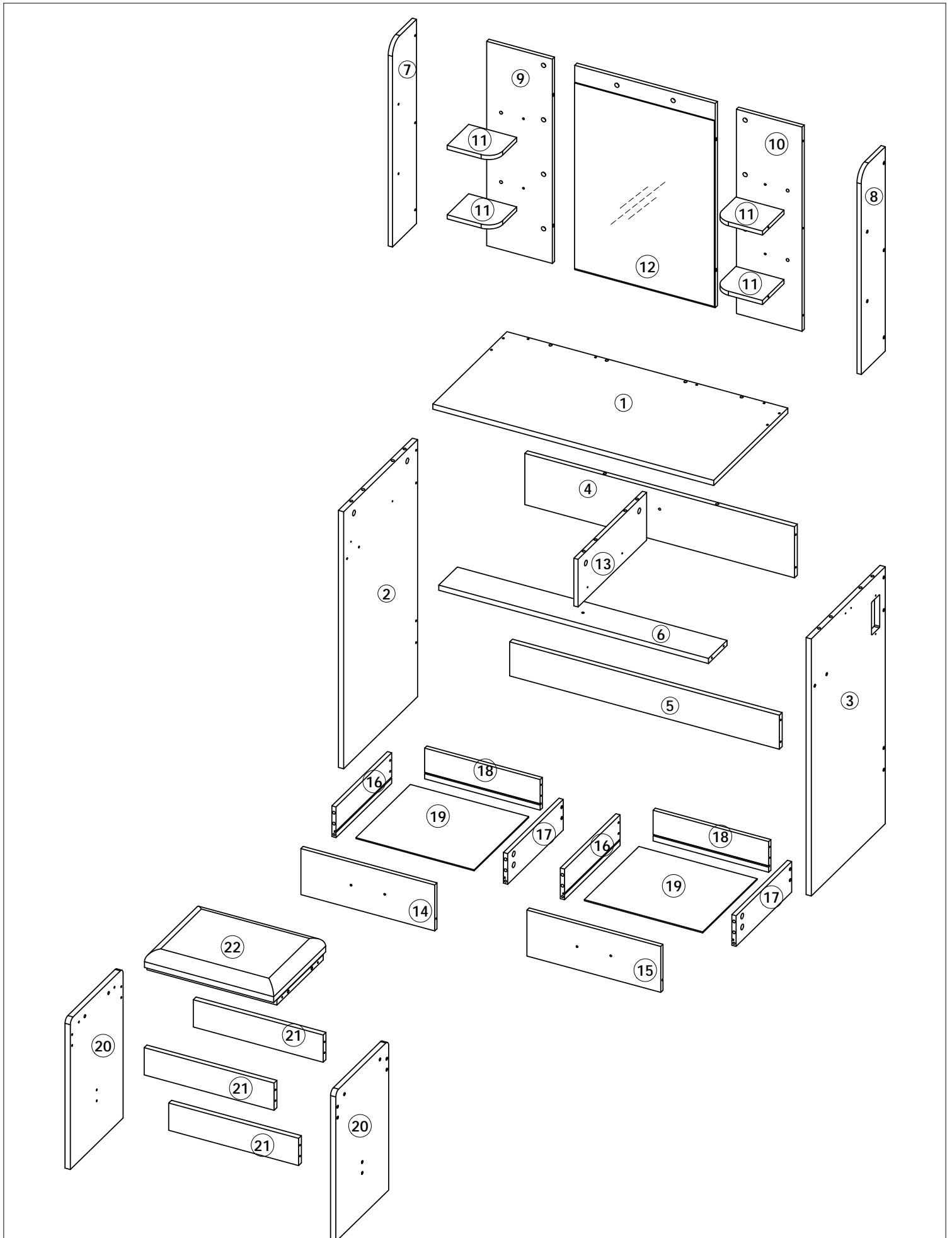
---



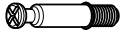



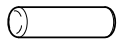
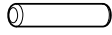
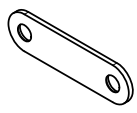


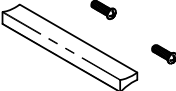
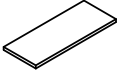
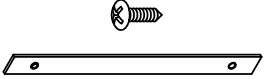
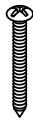

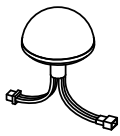
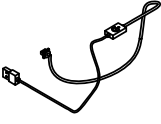
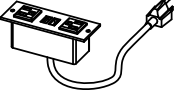


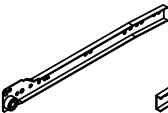
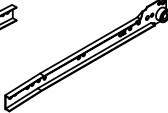
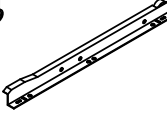
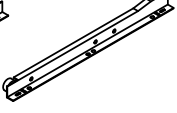
# CABINET PARTS

<p>①</p>  <p>x 1</p>	<p>②</p>  <p>x 1</p>	<p>③</p>  <p>x 1</p>	<p>④</p>  <p>x 1</p>
<p>⑤</p>  <p>x 1</p>	<p>⑥</p>  <p>x 1</p>	<p>⑦</p>  <p>x 1</p>	<p>⑧</p>  <p>x 1</p>
<p>⑨</p>  <p>x 1</p>	<p>⑩</p>  <p>x 1</p>	<p>⑪</p>  <p>x 4</p>	<p>⑫</p>  <p>x 1</p>
<p>⑬</p>  <p>x 1</p>	<p>⑭</p>  <p>x 1</p>	<p>⑮</p>  <p>x 1</p>	<p>⑯</p>  <p>x 2</p>
<p>⑰</p>  <p>x 2</p>	<p>⑱</p>  <p>x 2</p>	<p>⑲</p>  <p>x 2</p>	<p>⑳</p>  <p>x 2</p>
<p>㉑</p>  <p>x 3</p>	<p>㉒</p>  <p>x 1</p>		

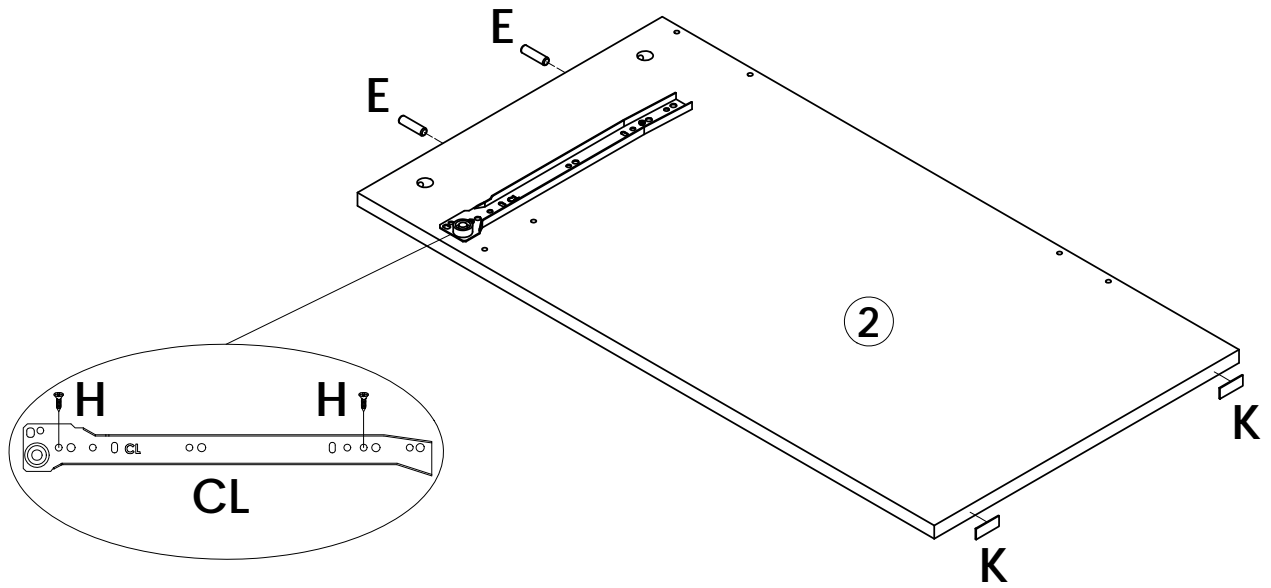
# CABINET PARTS

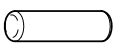





# PARTS

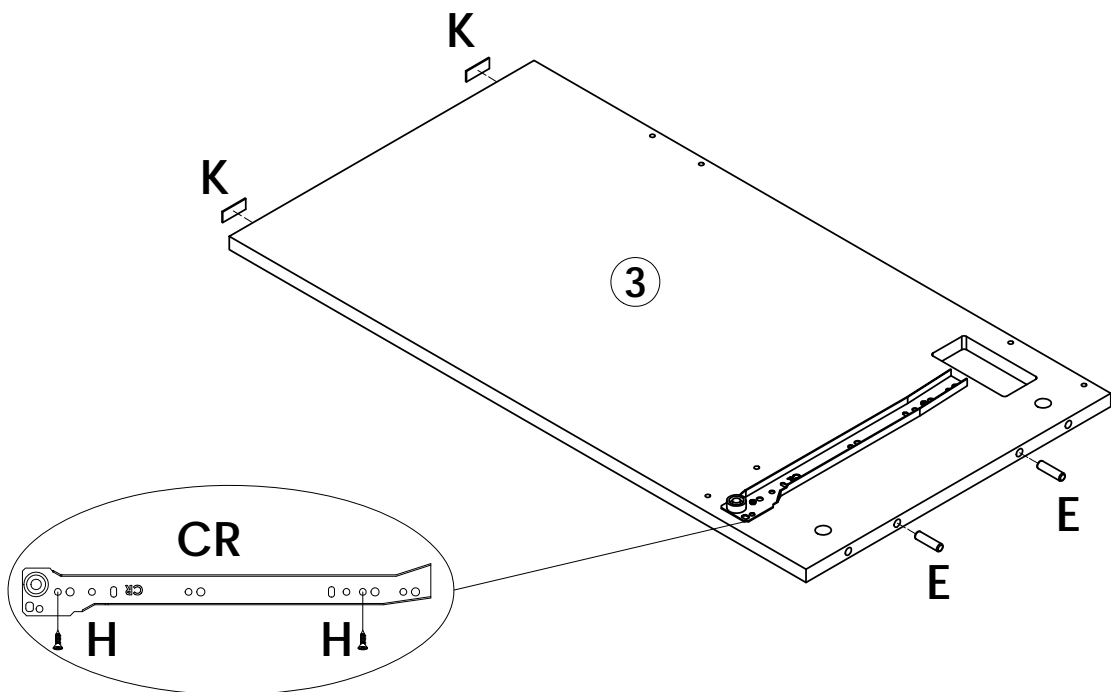
<b>A</b>	<b>x 16+1</b>	<b>B</b>	<b>x 16+1</b>	<b>C</b>	<b>x 52+1</b>	<b>D</b>	<b>x 38+4</b>
							
M6x 40		M15x 9.5		M5x 40		M15	
<b>E</b>	<b>x 22+1</b>	<b>F</b>	<b>x 4</b>	<b>G</b>	<b>x 6</b>	<b>H</b>	<b>x 30+2</b>
							
M8x30		M6x30				M3x12	
<b>I</b>	<b>x 8+1</b>	<b>J</b>	<b>x 2+1</b>	<b>K</b>	<b>x 8</b>	<b>L</b>	<b>x 1</b>
							
M3.5x35		M4x15				M4x12	
<b>M</b>	<b>x 1</b>	<b>N</b>	<b>x 10</b>	<b>O</b>	<b>x 1</b>	<b>P</b>	<b>x 1</b>
 							
M4x35    M6x30							
<b>Q</b>	<b>x 2</b>	<b>R</b>	<b>x 1</b>	<b>S</b>	<b>x 2</b>		
				 CL	 CR	 DL	 DR
M4x12				L300mm			

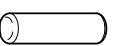

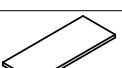

# STEP 1



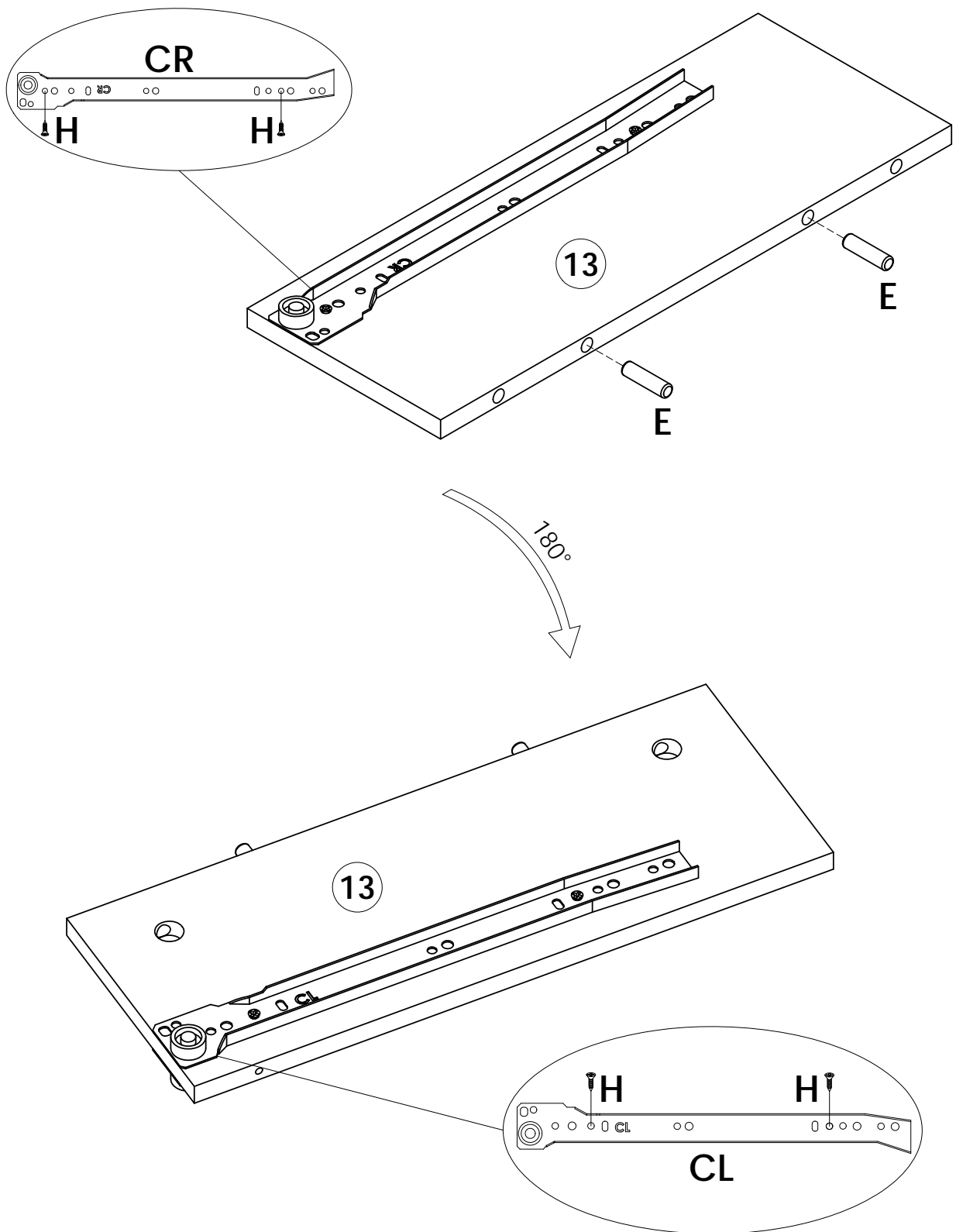
	<b>E x 2</b>				
	<b>H x 2</b>		<b>K x 2</b>		<b>CL x 1</b>

# STEP 2



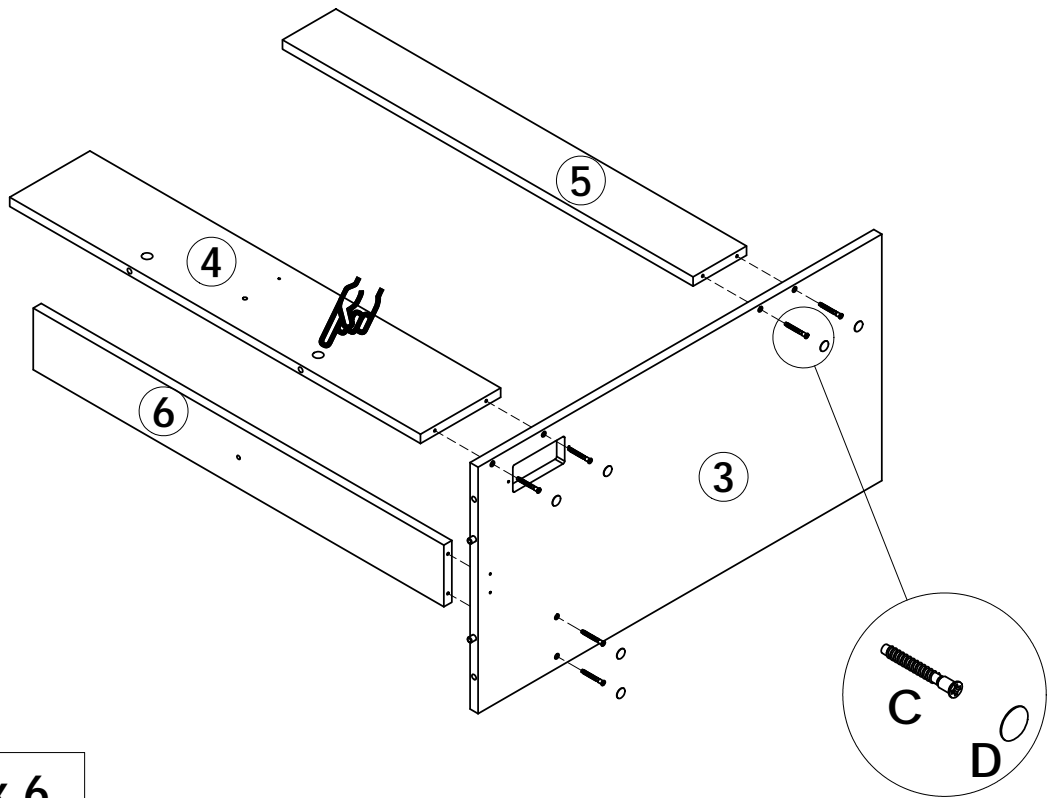
	<b>E x 2</b>				
	<b>H x 2</b>		<b>K x 2</b>		<b>CR x 1</b>



# STEP 3



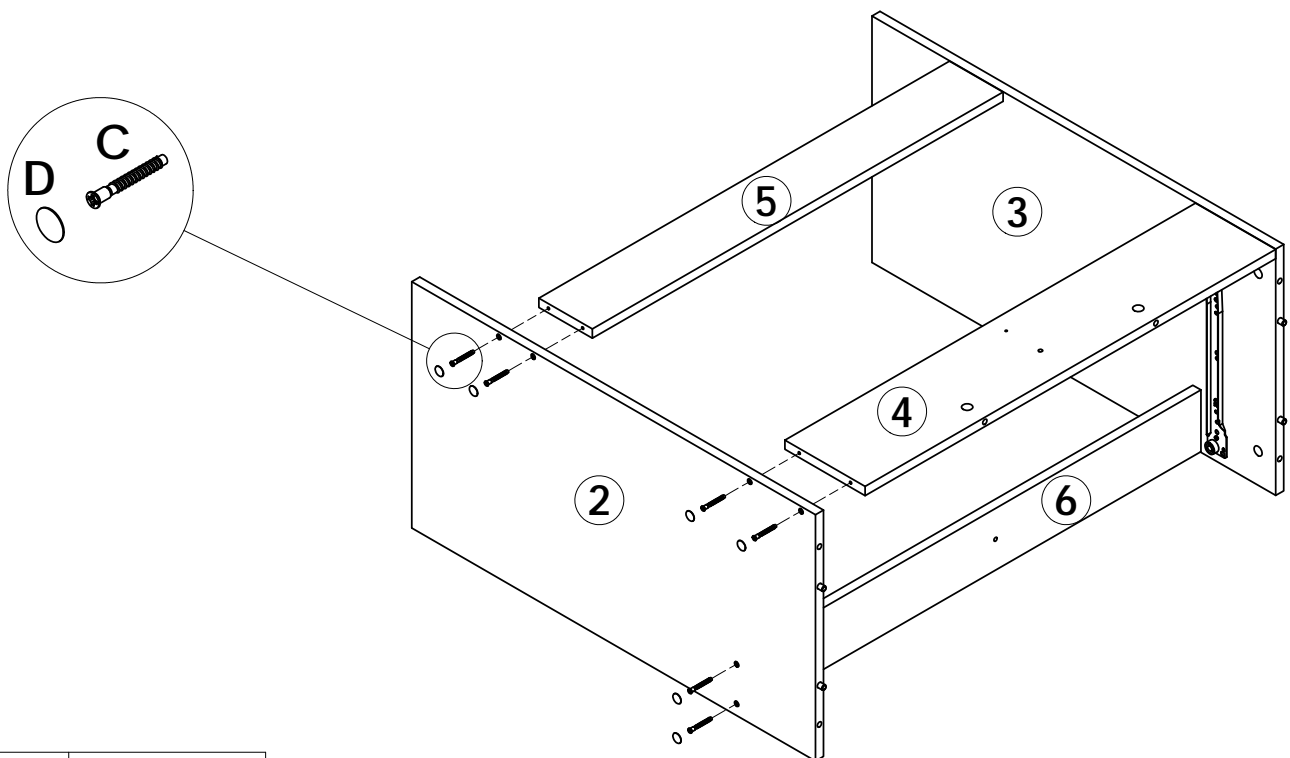
	<b>E x 2</b>				
	<b>H x 4</b>		<b>CL x 1</b>		<b>CR x 1</b>



# STEP 4



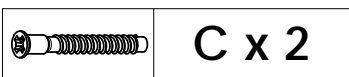
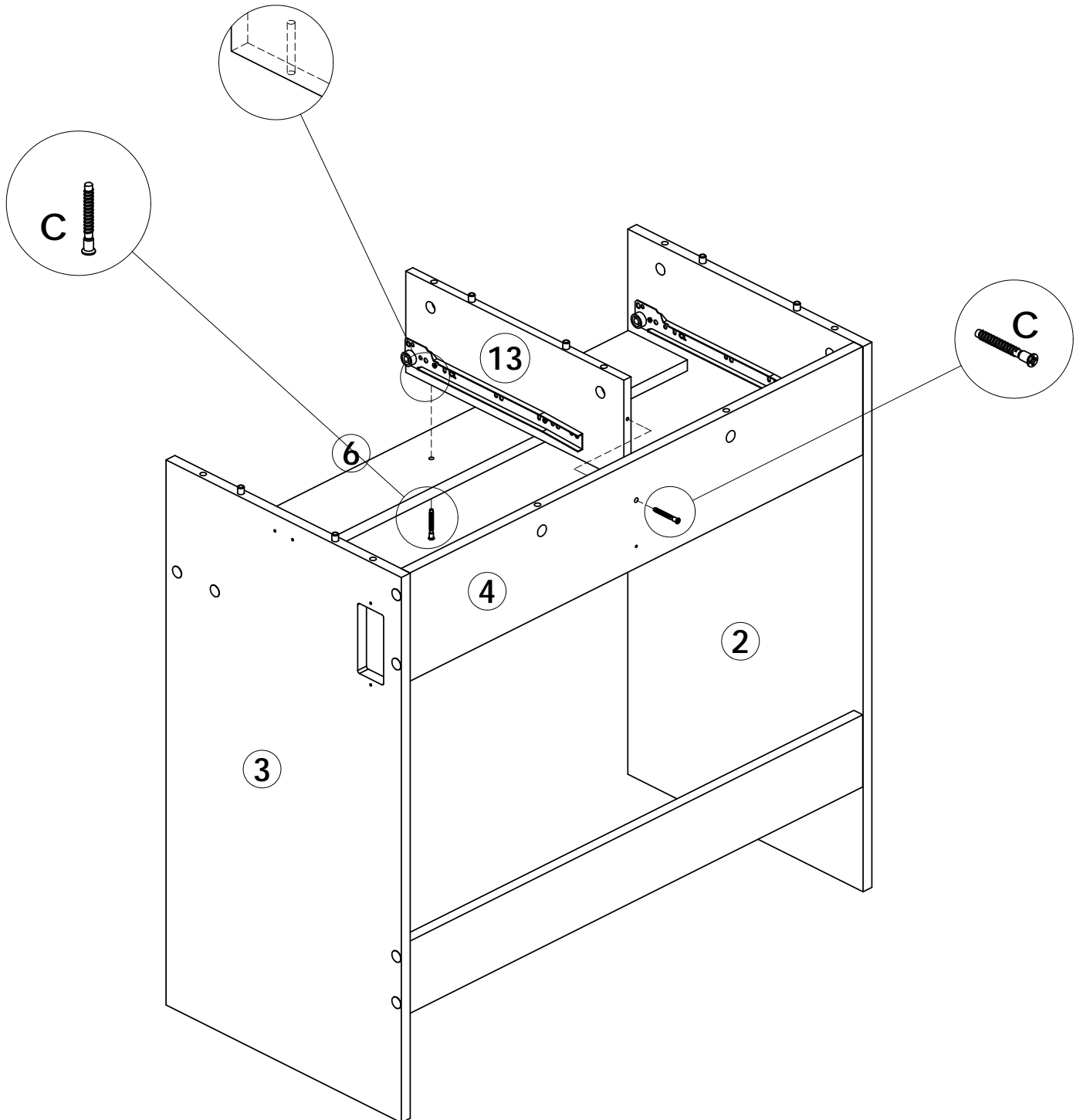
	C x 6
	D x 6

# STEP 5

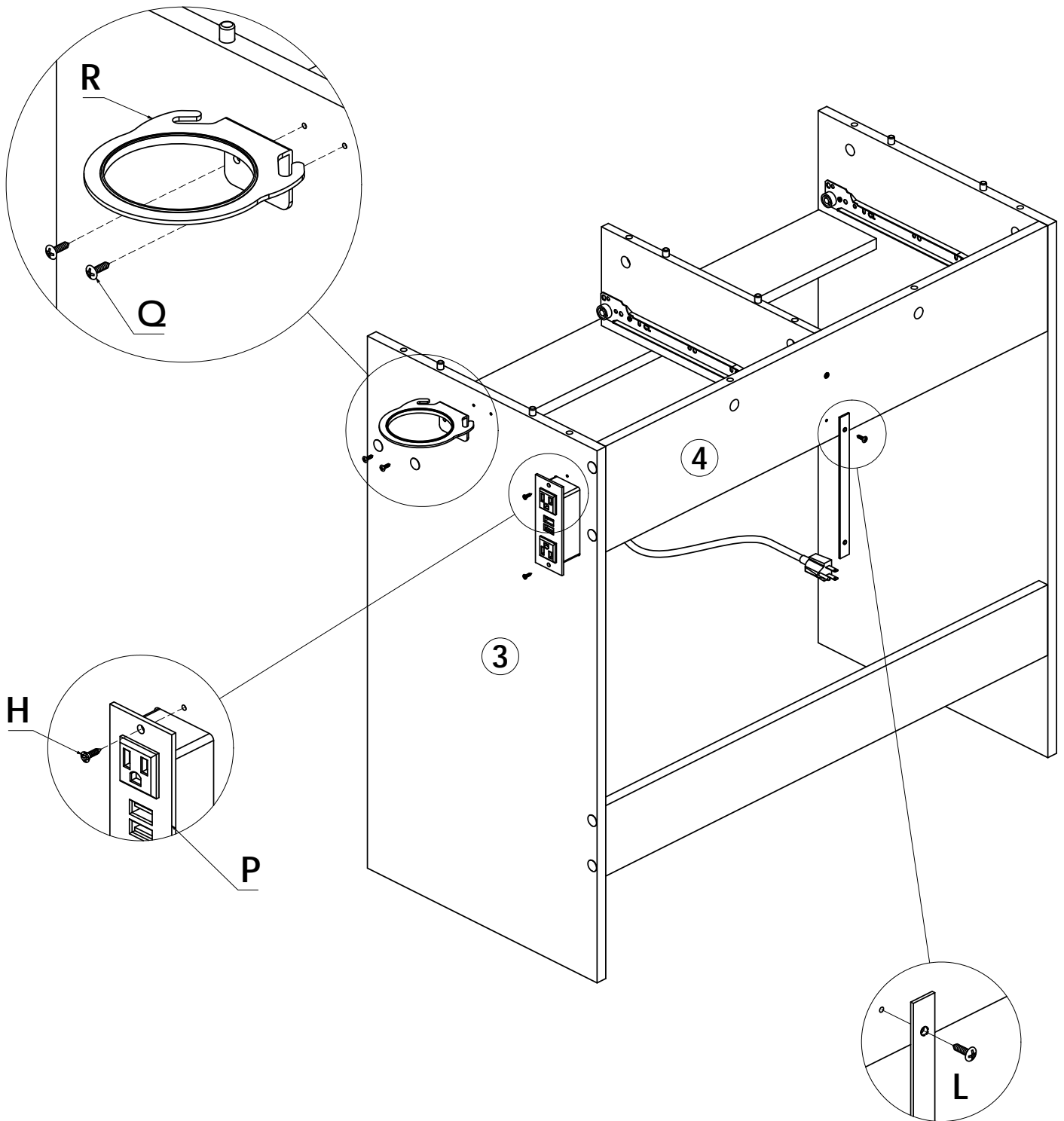



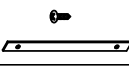



	C x 6
	D x 6

# STEP 6

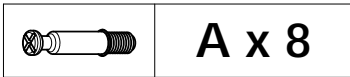
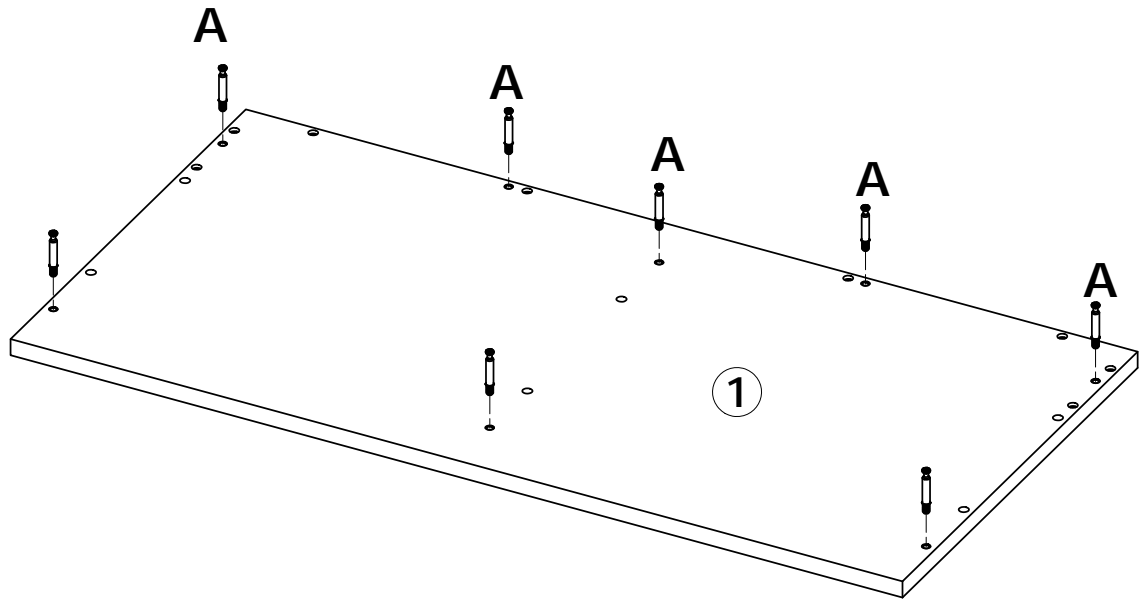


# STEP 7

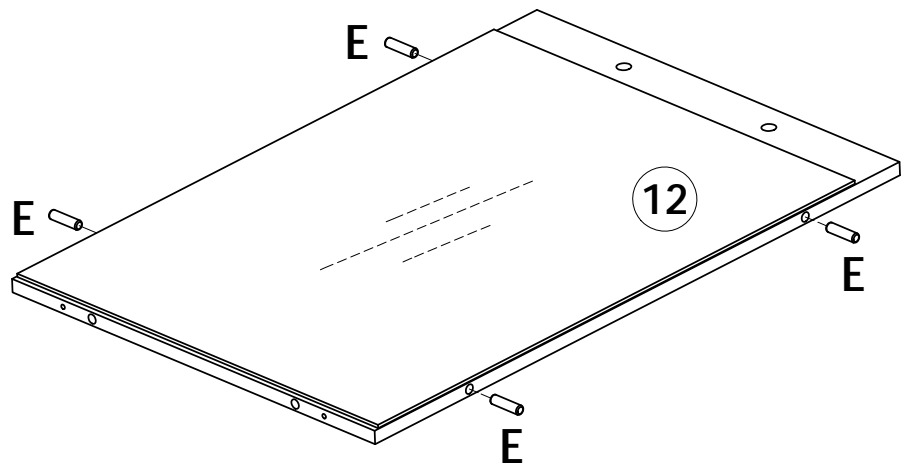
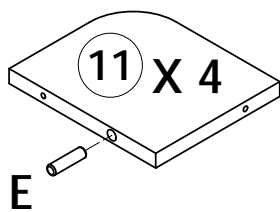


	H x 2		
	L x 1		Q x 2
	P x 1		R x 1

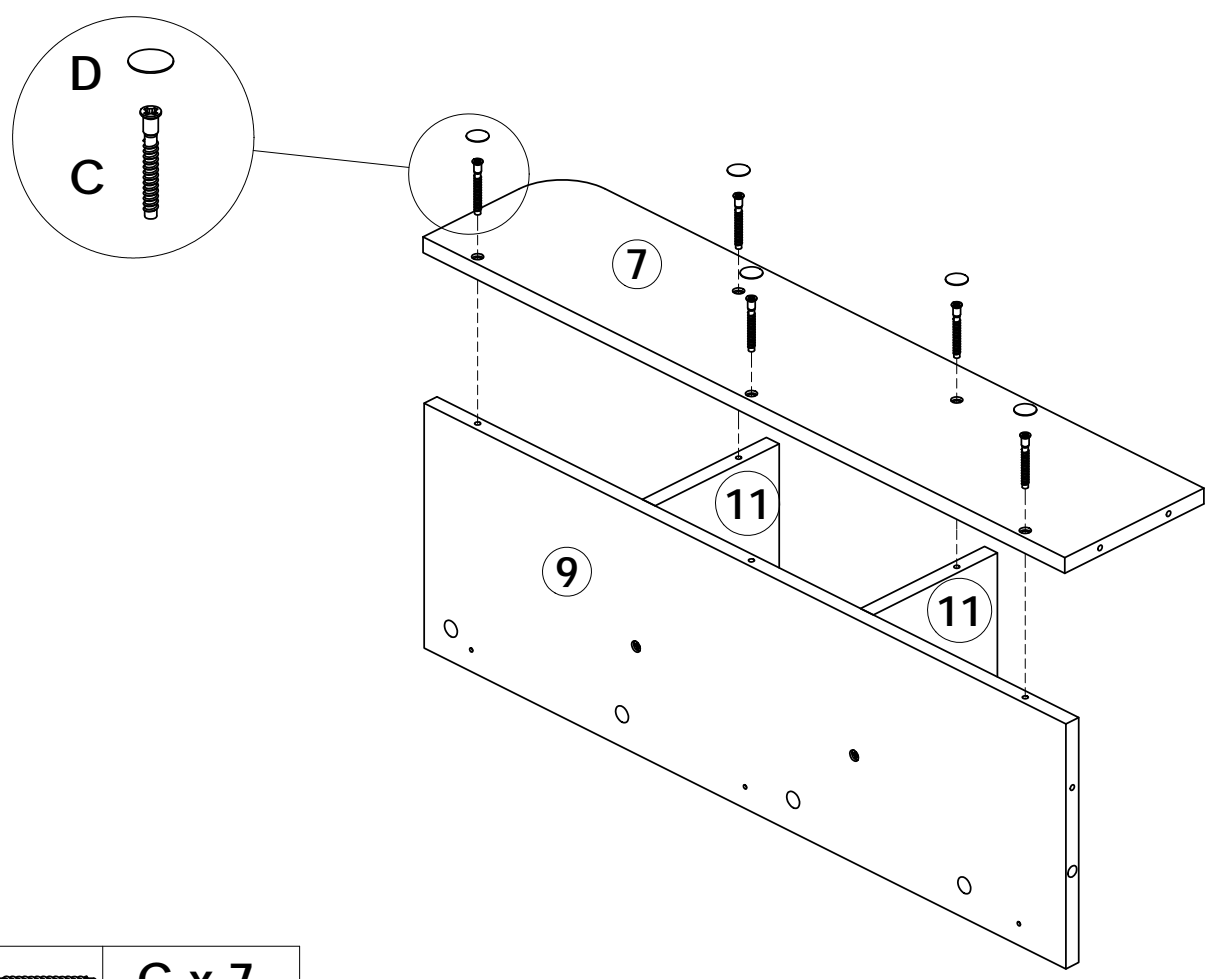
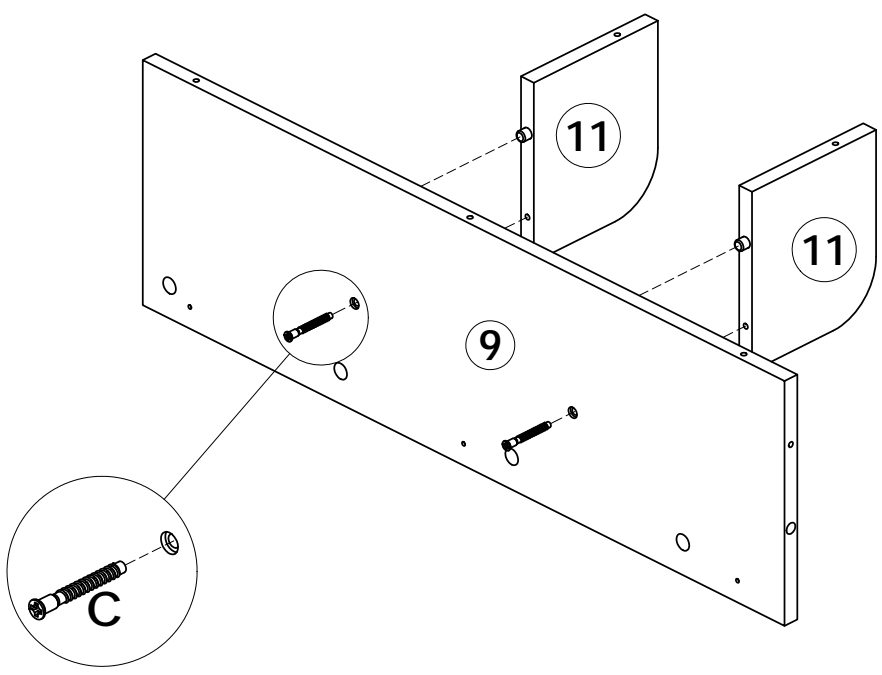
# STEP 8





# STEP 9

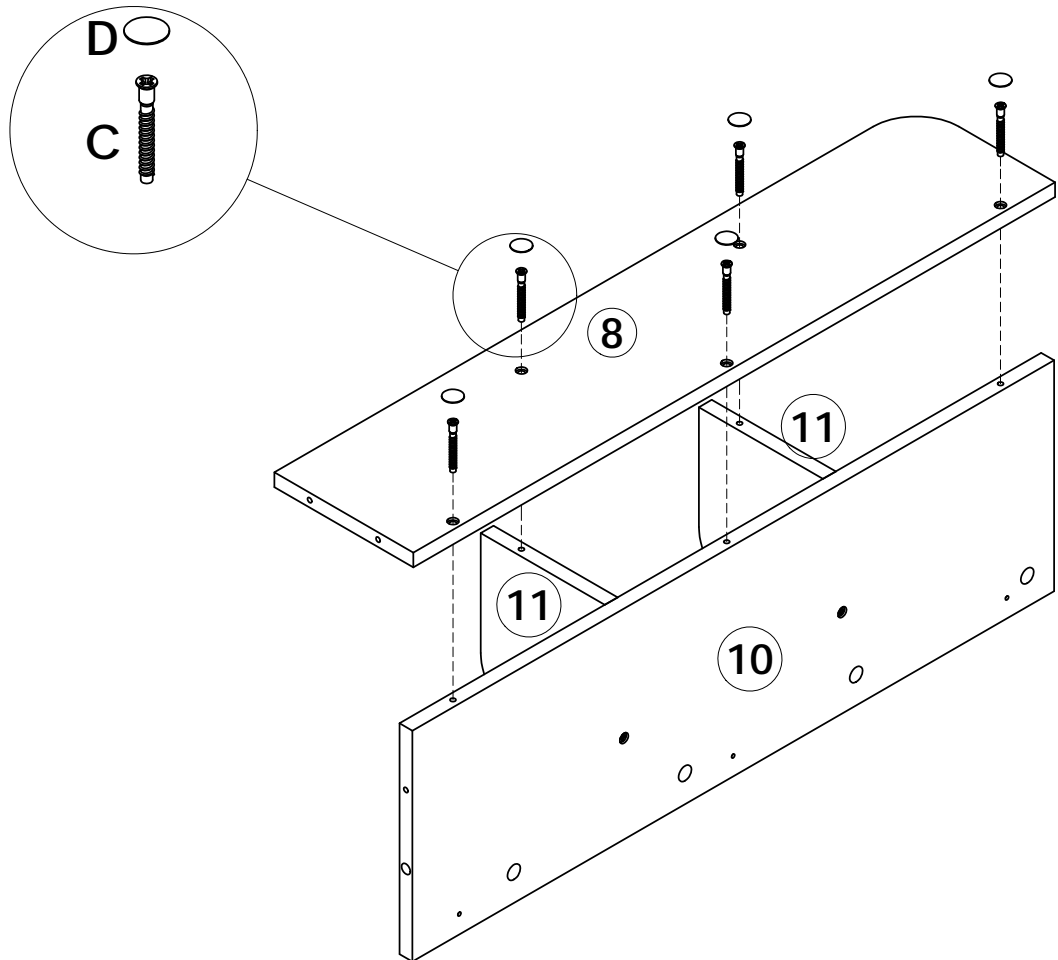
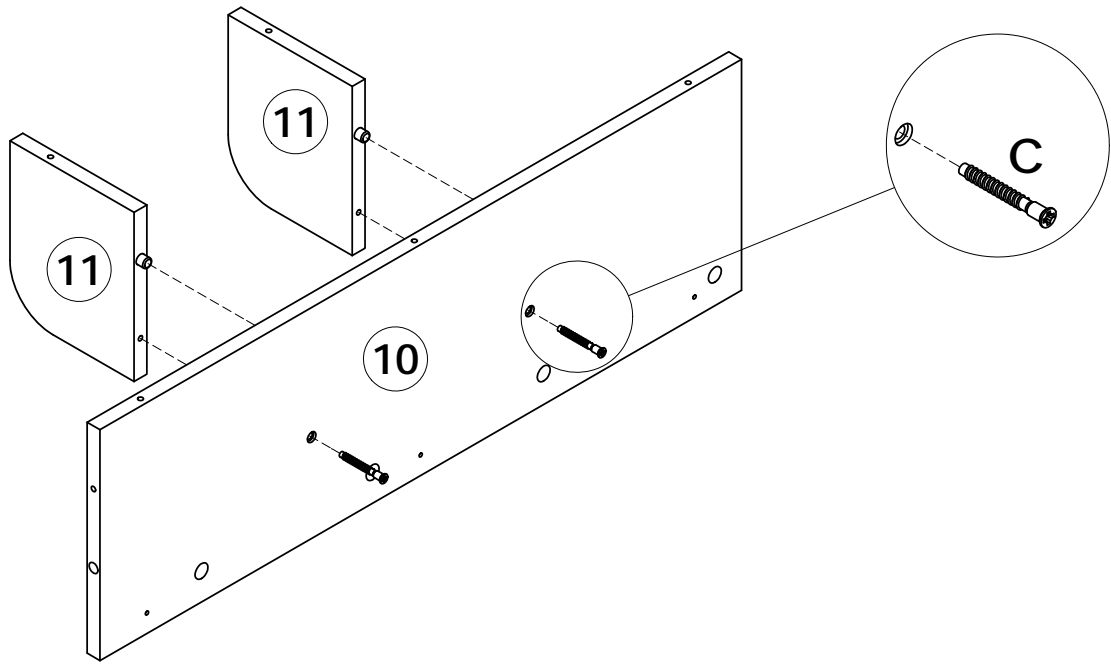




# STEP 10



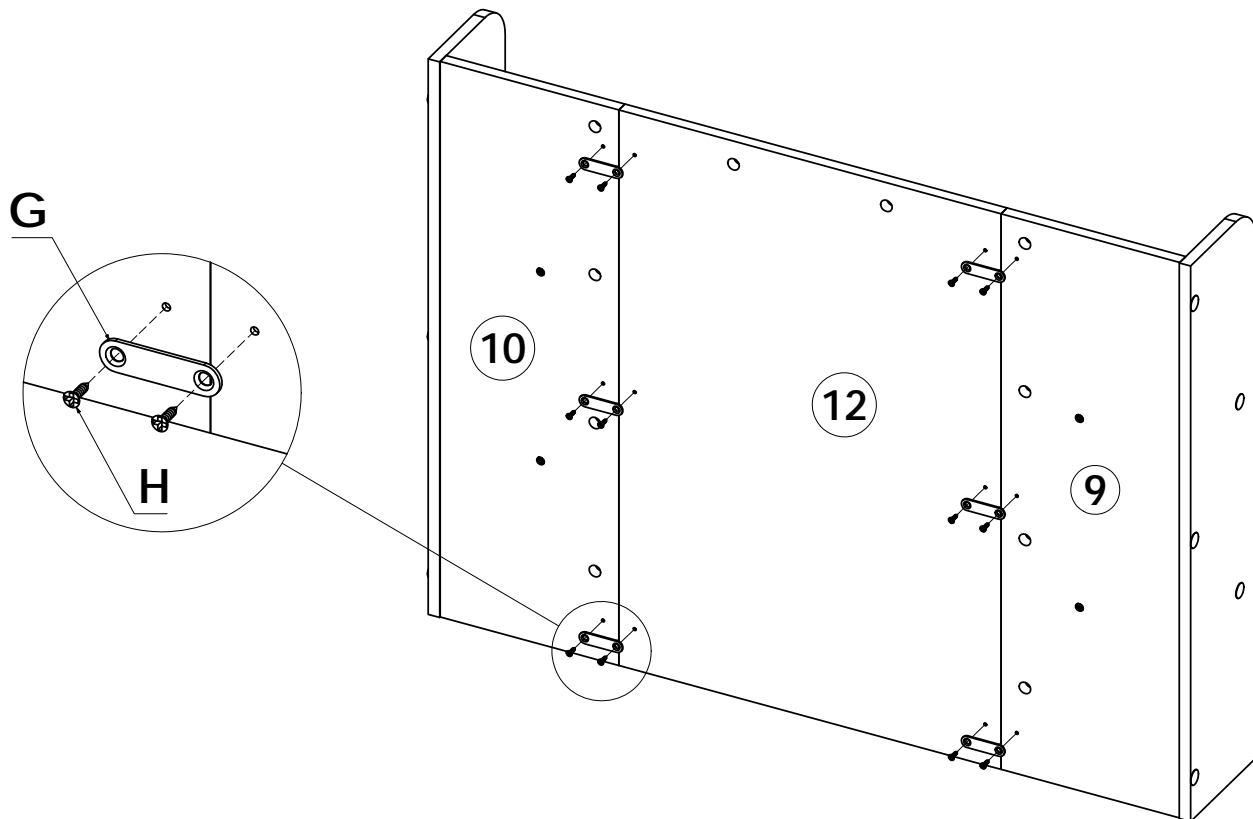
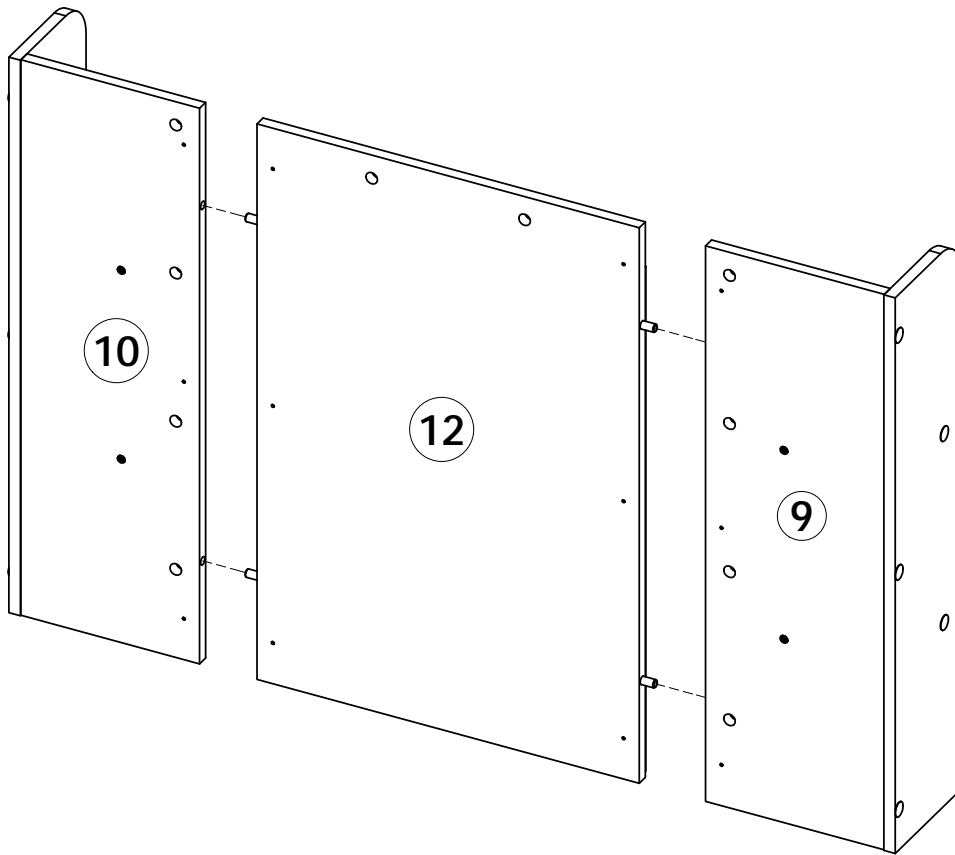
	<b>C x 7</b>
	<b>D x 5</b>

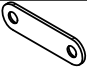

# STEP 11



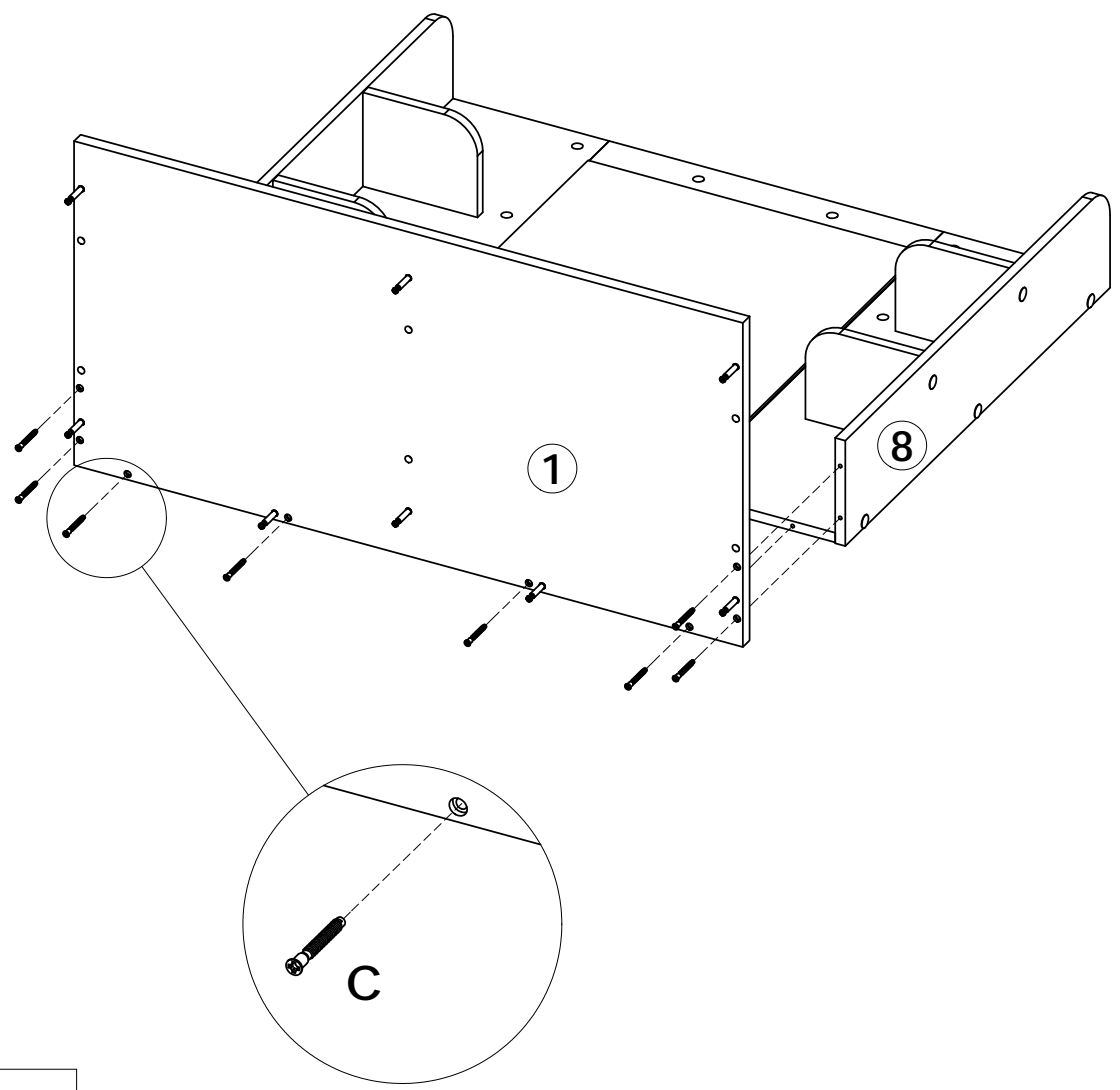
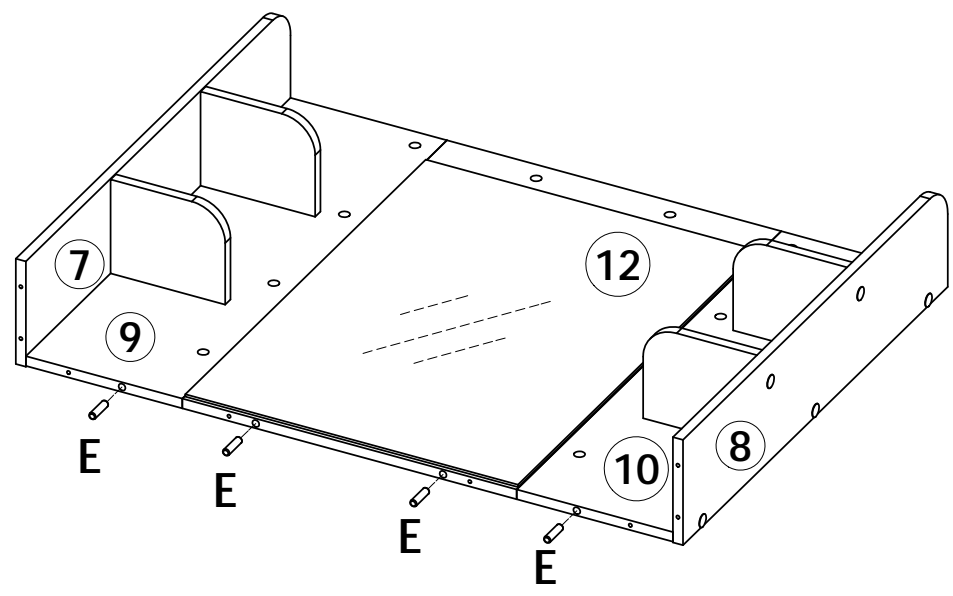
	<b>C x 7</b>
	<b>D x 5</b>

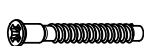
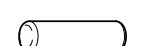
# STEP 12



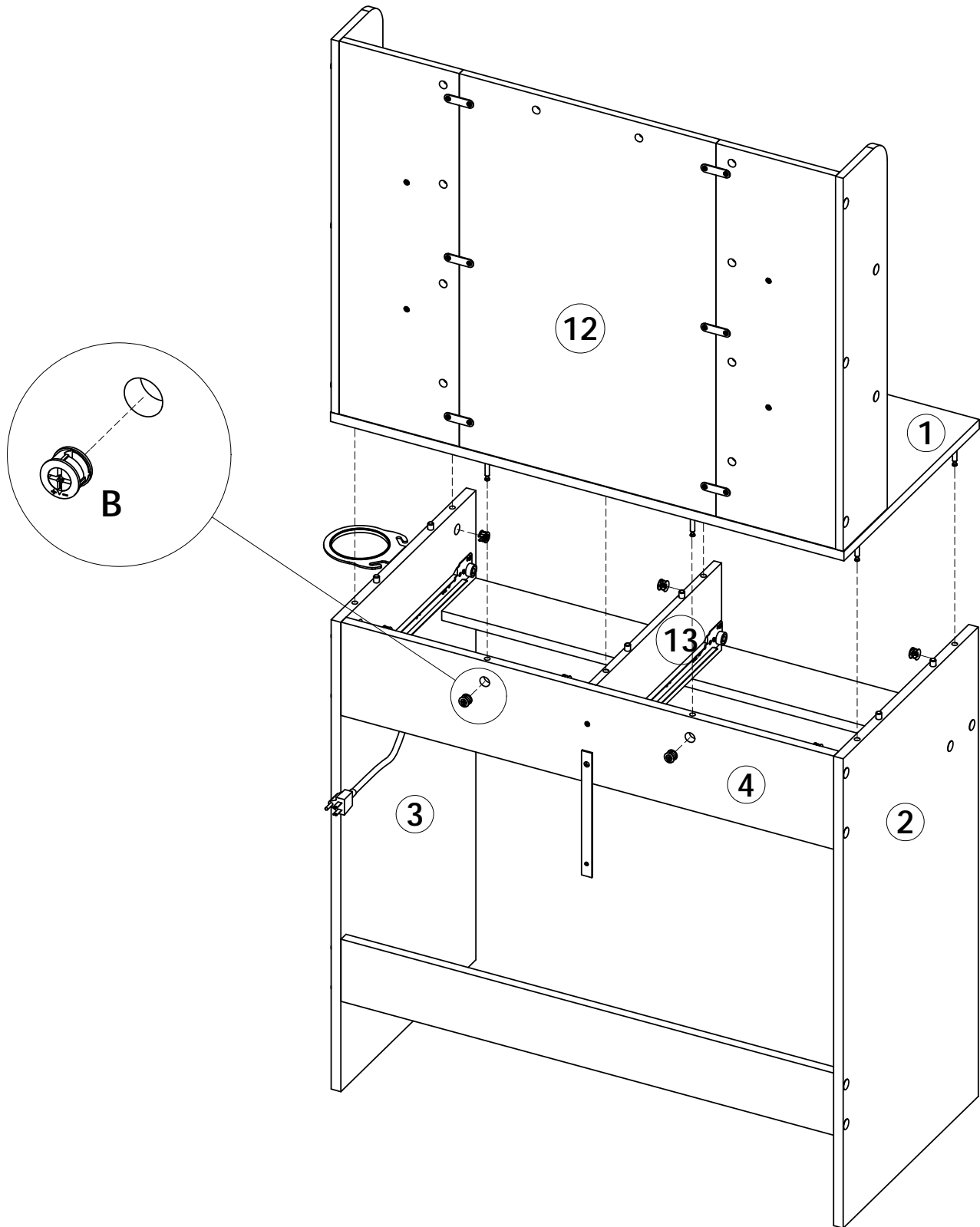
	<b>G x 6</b>
	<b>H x 12</b>

# STEP 13



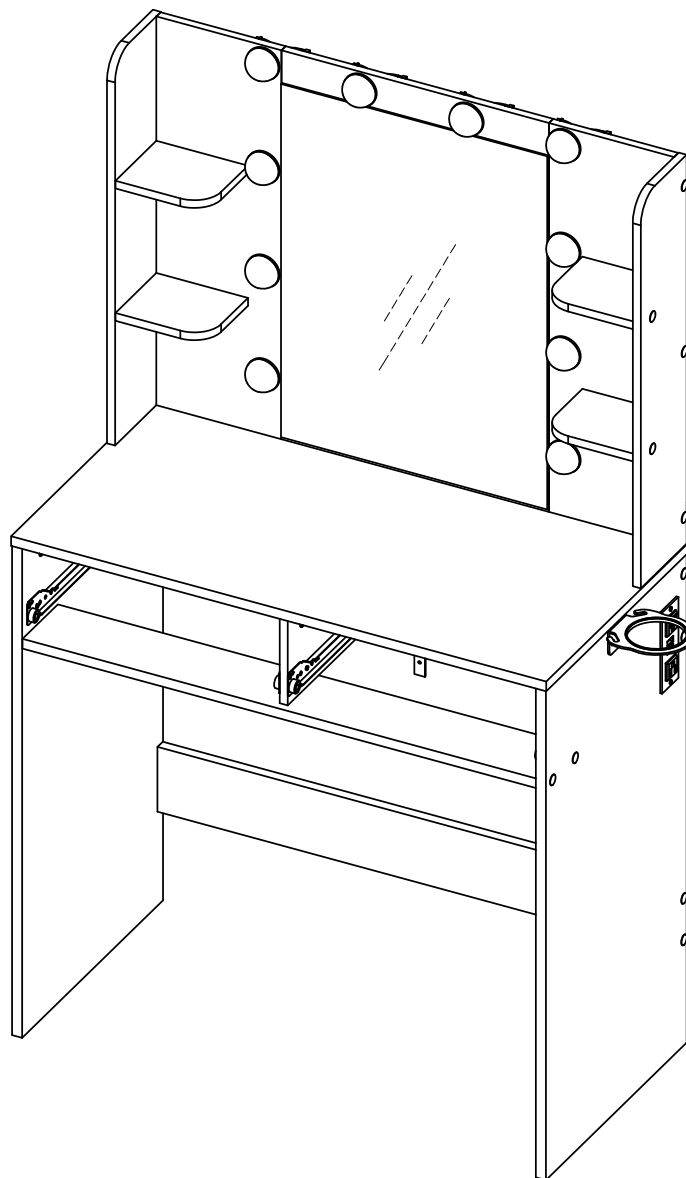
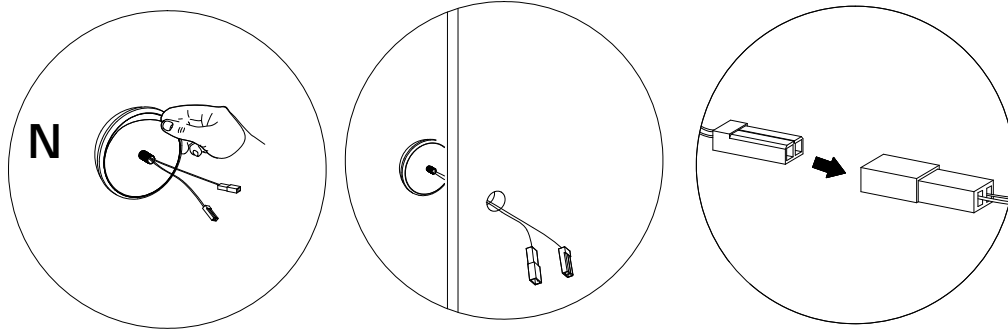
	<b>C x 8</b>
	<b>E x 4</b>

# STEP 14



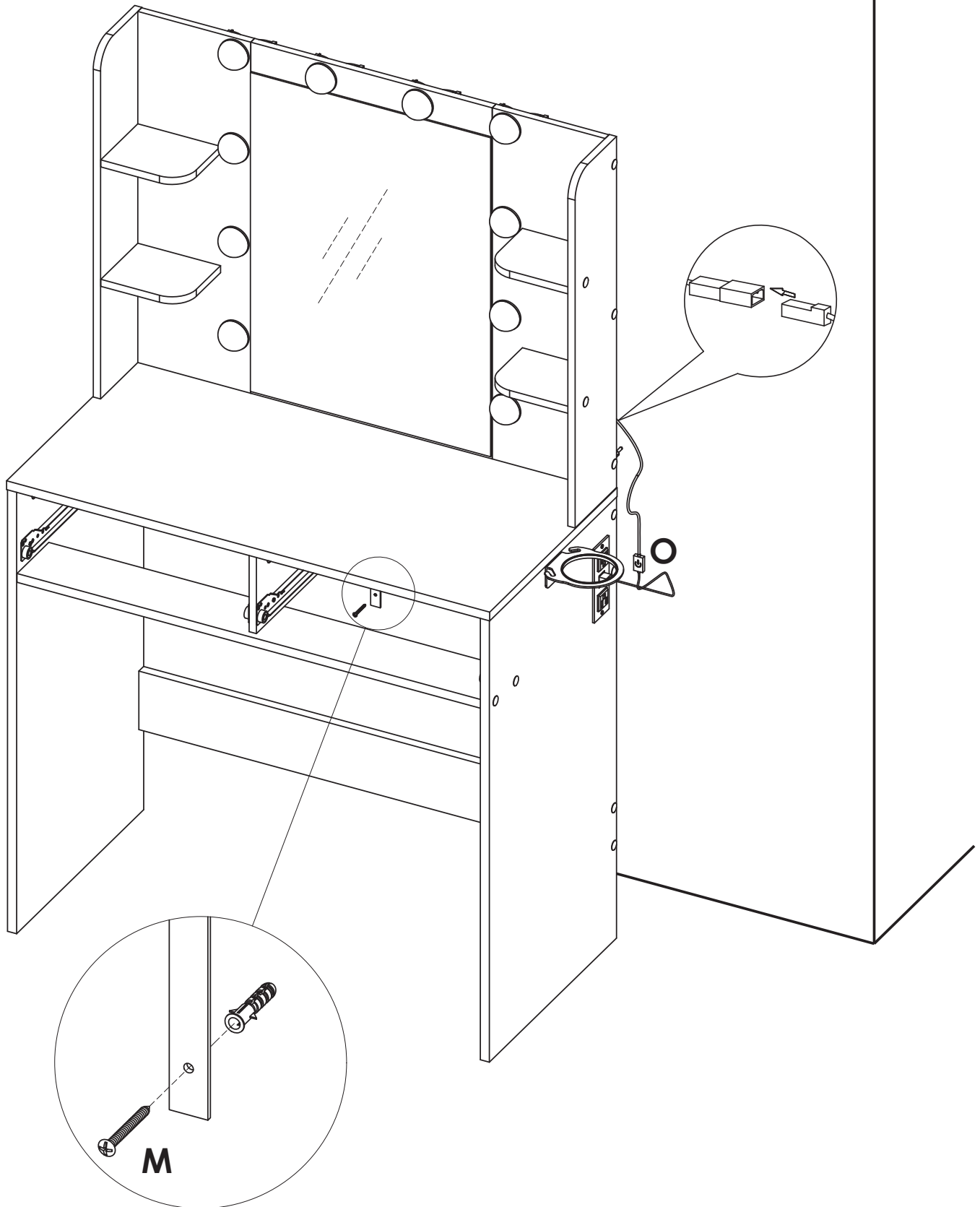
# STEP 15

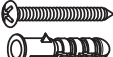

Before attaching the bulb to the mirror panel, please remove the white sticker from the back of the bulbs



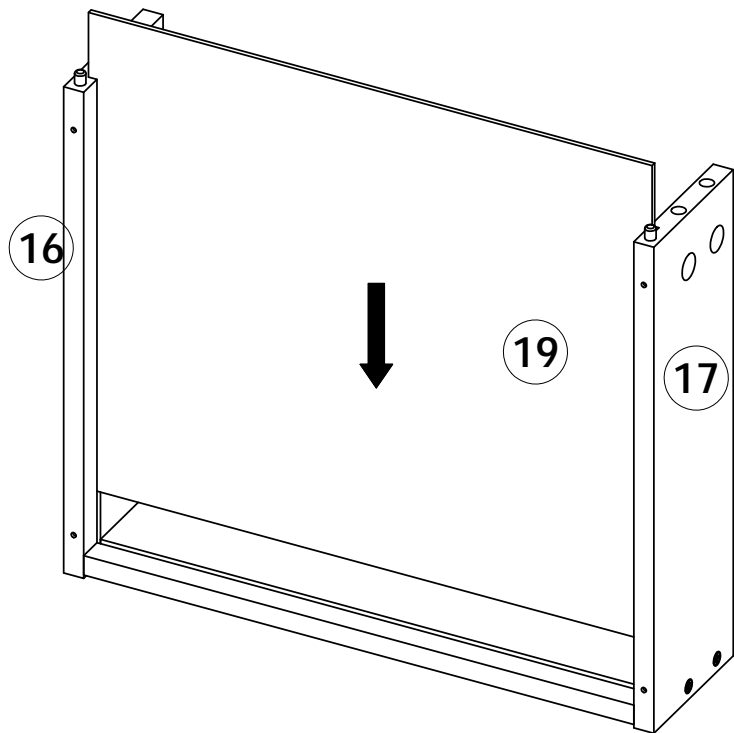
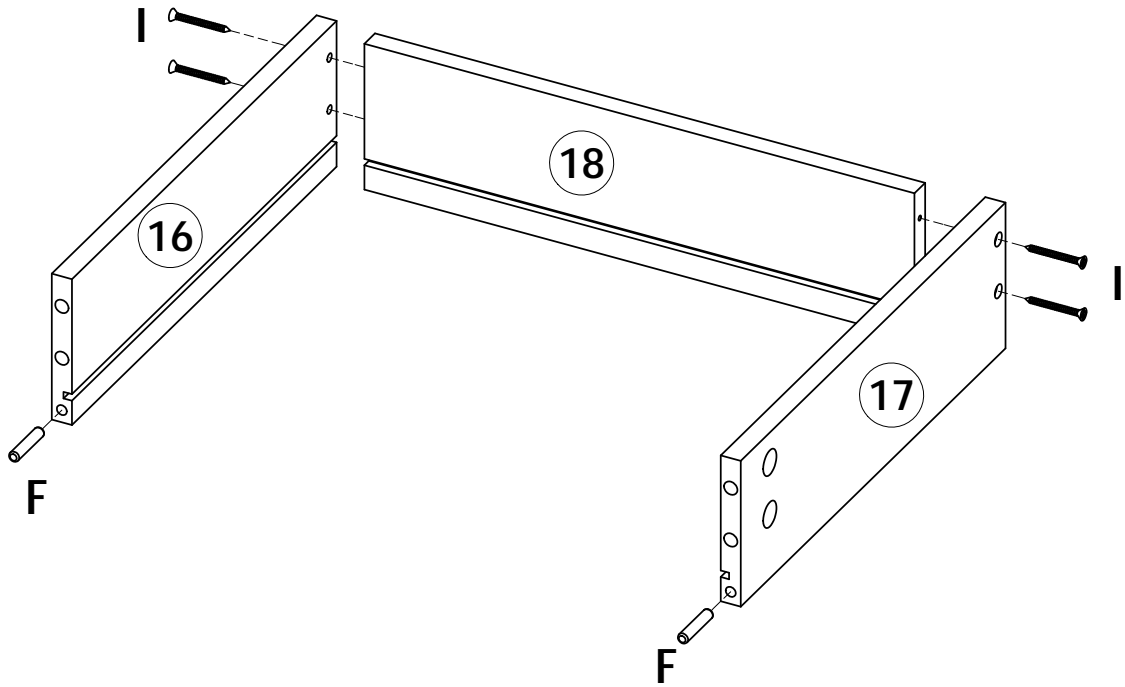
N x 10

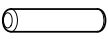

# STEP 16



	<b>M x 1</b>		<b>O x 1</b>
--	--------------	---	--------------

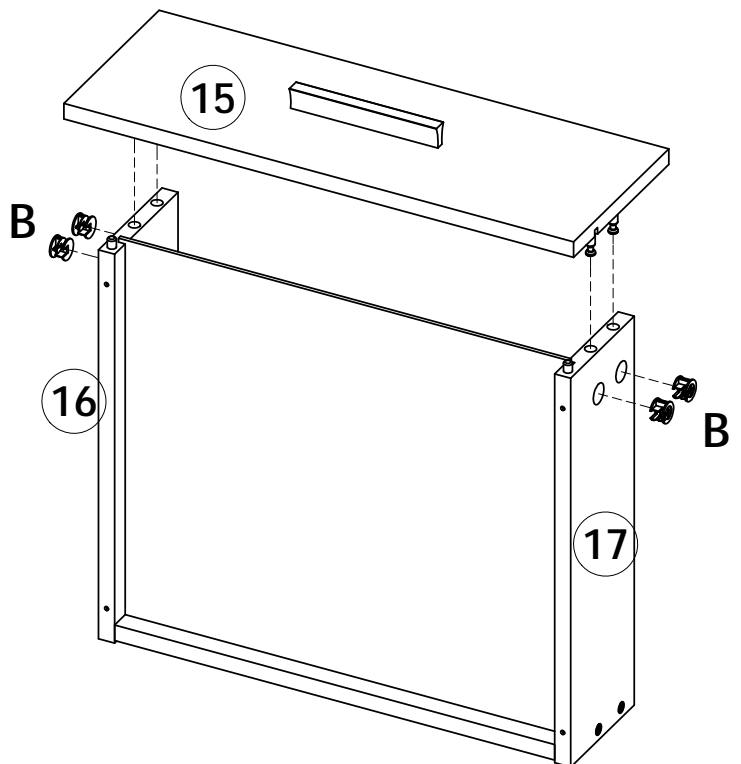
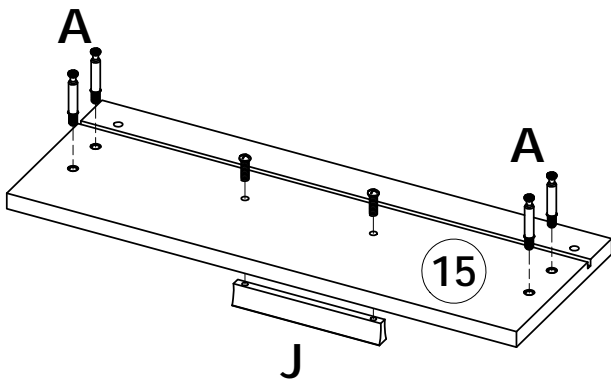
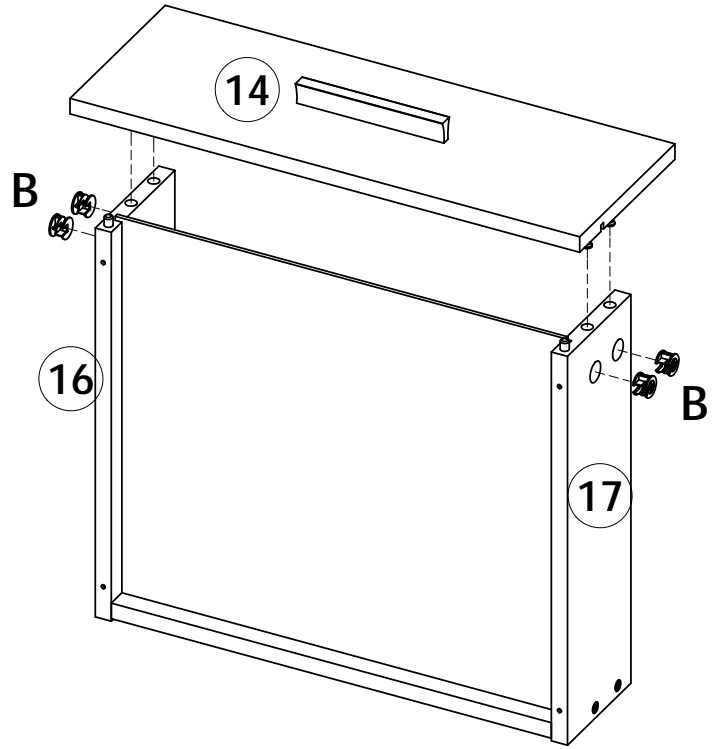
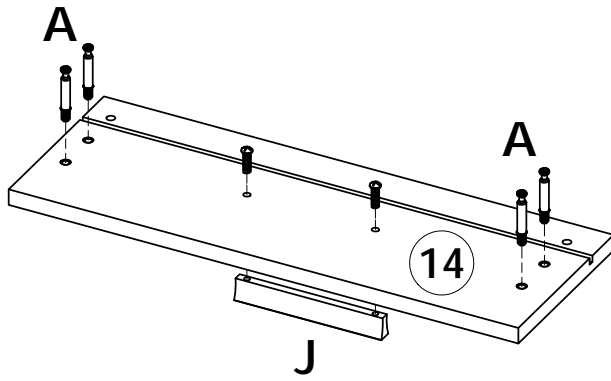
# STEP 17

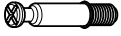




	<b>F x 4</b>
	<b>I x 8</b>

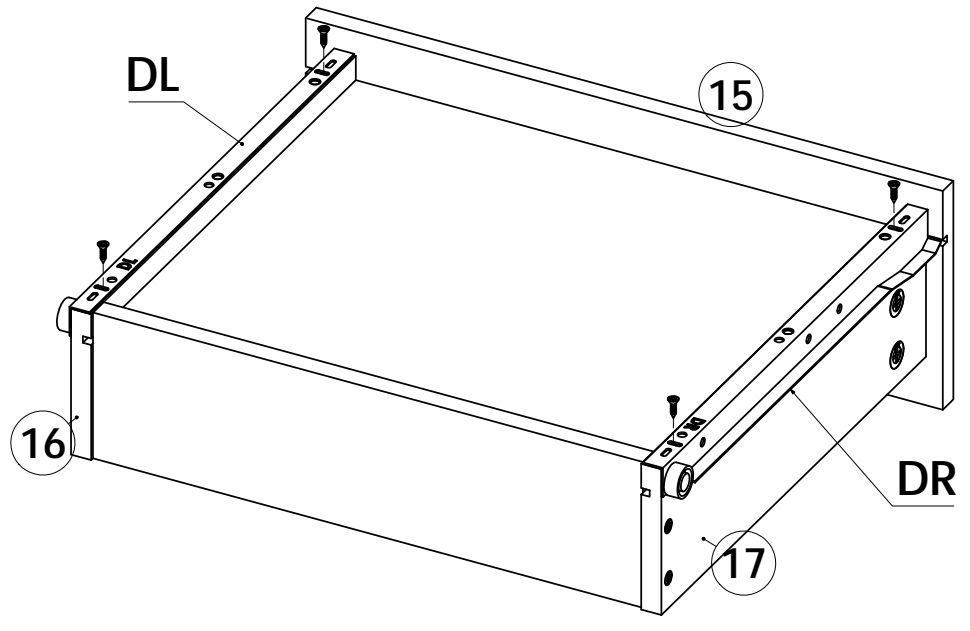
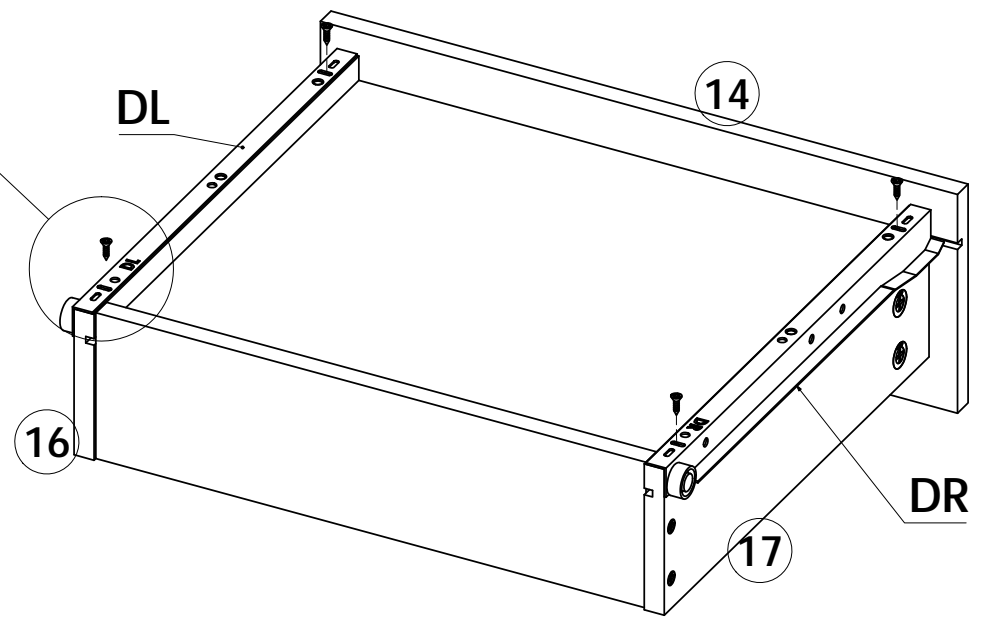
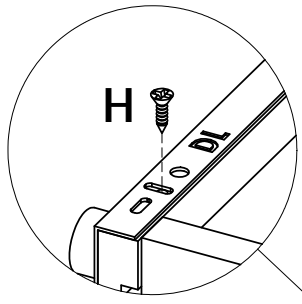
**x2**




# STEP 18



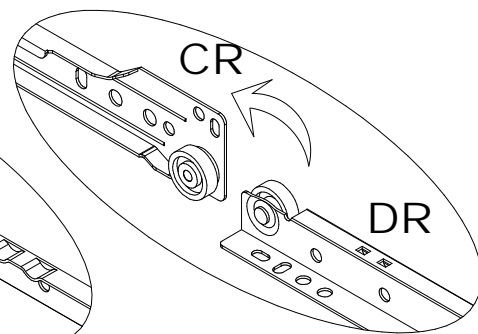
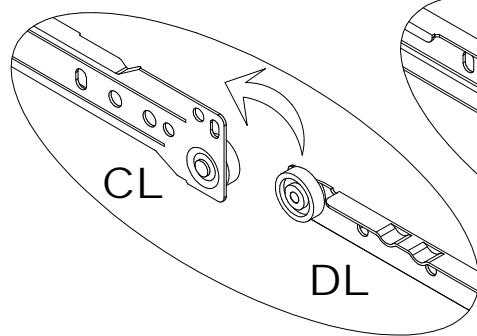
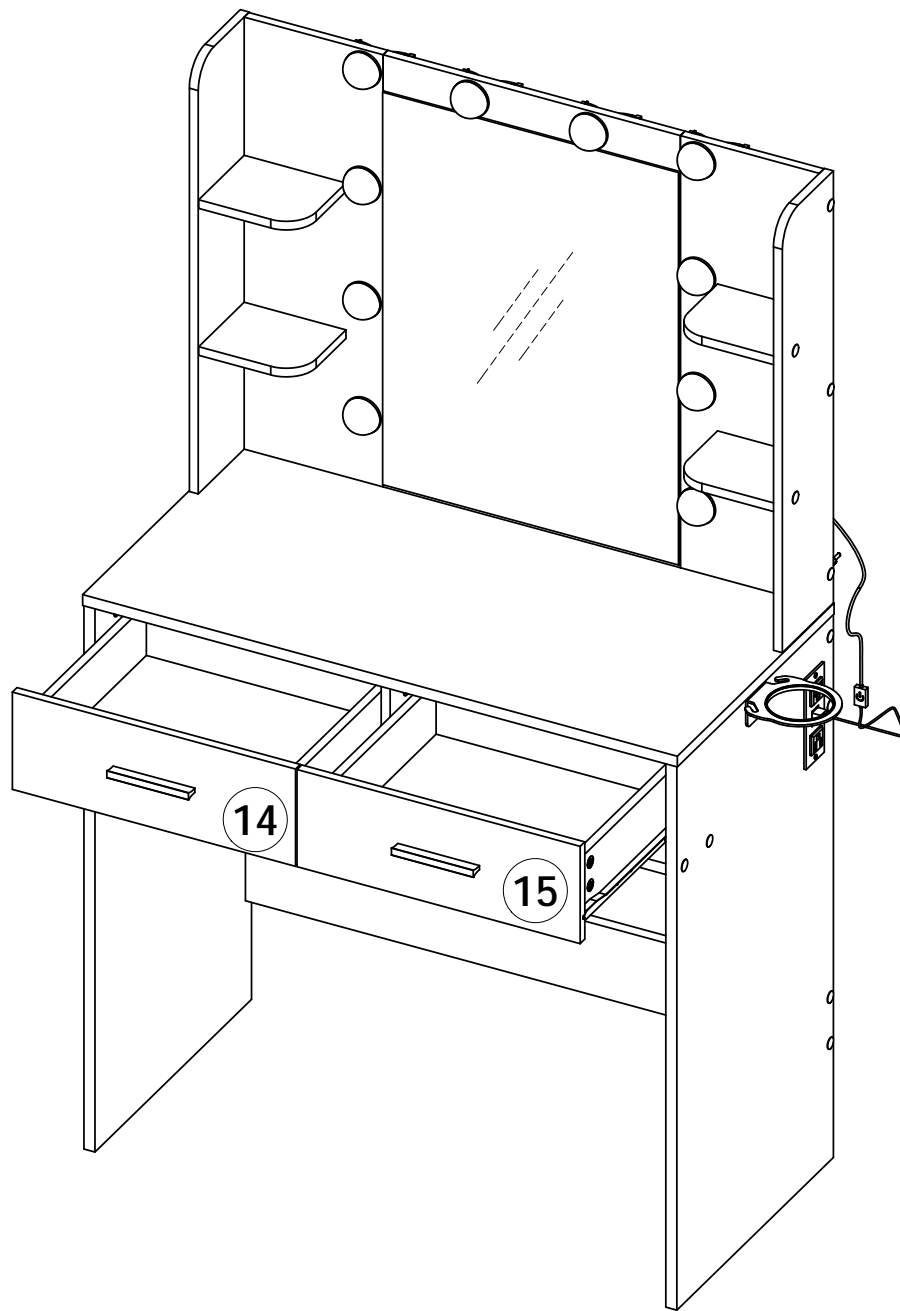
	A x 8
	B x 8
	J x 2

# STEP 19

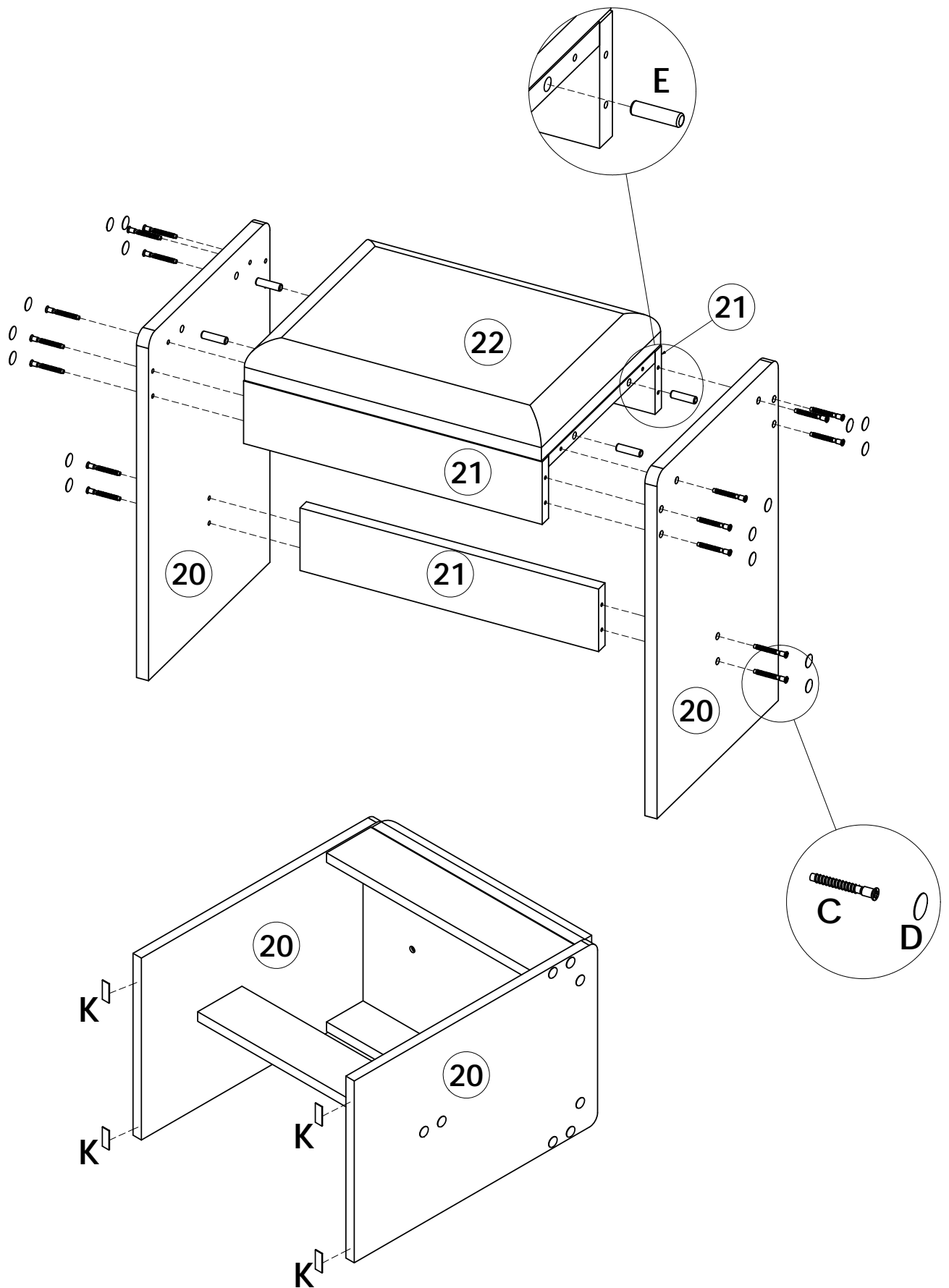



	H x 8
	DL x 2
	DR x 2


# STEP 20

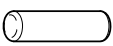
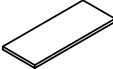


# STEP 21



	<b>C x 16</b>
--	---------------

	<b>D x 16</b>
---	---------------

	<b>E x 4</b>		<b>K x 4</b>
--	--------------	---	--------------