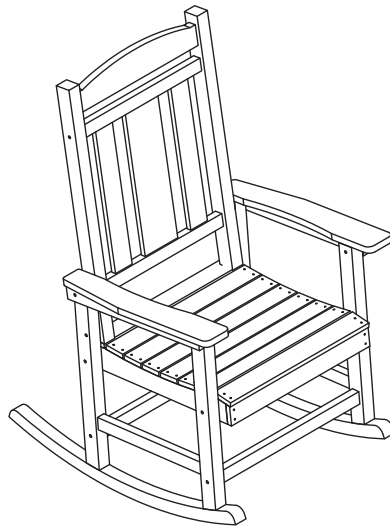


USER'S MANUAL

ORLANDO SERIES

PATIO ROCKING CHAIR



Guide of Manual

- ★ Thanks for your choice. We will do our best to provide customer service for everyone.
- ★ Please check to make sure all parts are included as stated when you unpack. If there are parts missing or wrong, please contact us, we will expeditiously provide reissue accessories, compensation or other services.
- ★ Instruction should be read carefully. But the manual may not cover every detail of all possible situations and steps. Please contact us if further information and help are needed. We will respond in a timely manner.
- ★ Please be patient that the other items are on the way if you buy more than one product.

Care and Maintenance

- Use a soft, clean cloth that will not scratch the surface when dusting.
- If you run into scratches problems, we suggest you erase the scratches by knife.
- This item could be cleaned with soap and water. Be sure to avoid harsh solvents and abrasives.
- Periodically (every 90 days) make sure the screws are fully tightened.

Material

- 100% HDPS

Warning

- It's kindly advised to assemble this product on a carpeted floor to protect it from being scratched.
- Small parts are included. Please keep the product away from children while assembling. Do not let children play or jump on the product. Do not stand on the item or use as a step ladder.
- Please pay attention to the sharp corners during assembly. We recommend the use of gloves to prevent the undesired injury.
- Prior to use, please check to see if there's any loosening screw or part. Make sure that each screw and part is correctly installed and securely fastened.
- Usually it's unnecessary to use electric drill. Please at a low gear if you need.

Resists Pest & Rough Weather

- These all-weather items can be stored outdoors year-round. Perfect for people who lives in a wet climate or lives on the coast where humidity and moisture will be an issue all year.

Max weight capacity

- 350lbs [Do not stand on the item]

Parts List & Assembly Instruction

1. Make sure all parts are in the package.

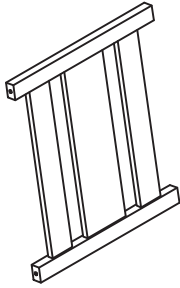
2. Do not fully tighten anything until all screws, nuts, washers and bolts are in place.



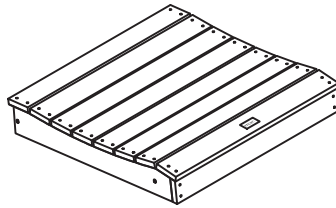
2PER



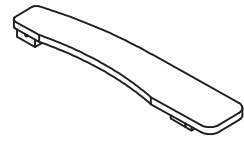
20MIN



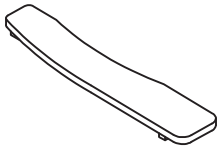
A x 1PC
Back



B x 1PC
Seat



C x 1PC
Left Arm



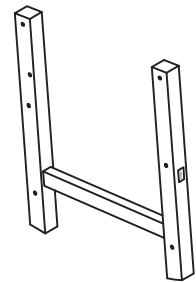
D x 1PC
Right Arm



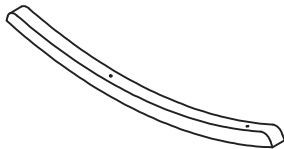
E x 1PC
Top Support



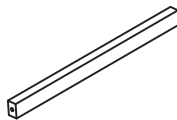
F x 2PCS
Side Support



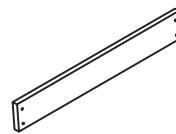
G x 2PCS
Leg Frame



H x 2PCS
Rocker Bar



I x 2PCS
Leg Support



J x 1PC
Seat Brace



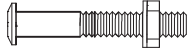
AA x 4PCS
Screw (4*35)



BB x 4PCS
Screw (6*95)



CC x 2PCS
Bolt (M6*80)



DDx 4PCS
Bolt (M6*80)



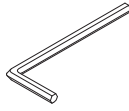
EE x 2PCS
Bolt (M6*70)



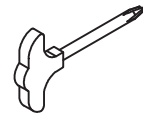
FFx 6PCS
Bolt (M6*60)



GGx 4PCS
Bolt (M6*50)

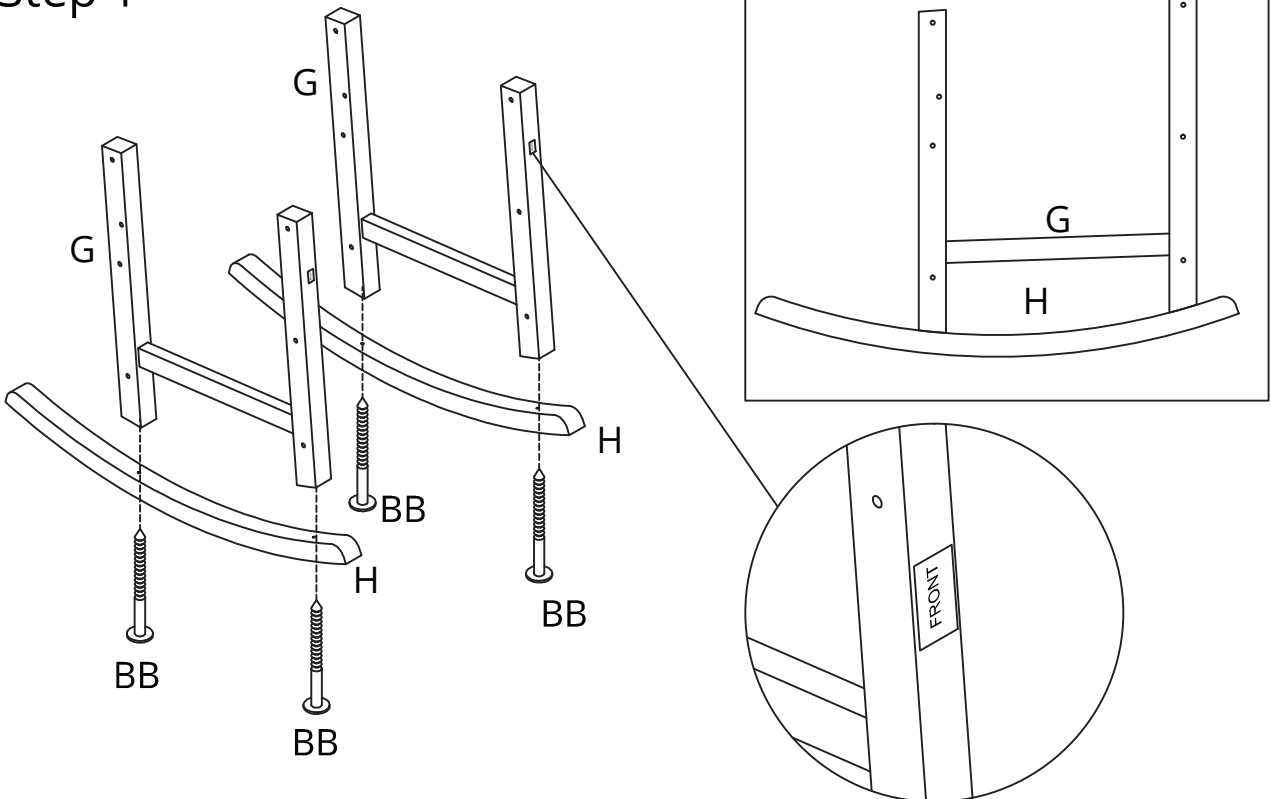


x 1PC
Allen Wrench



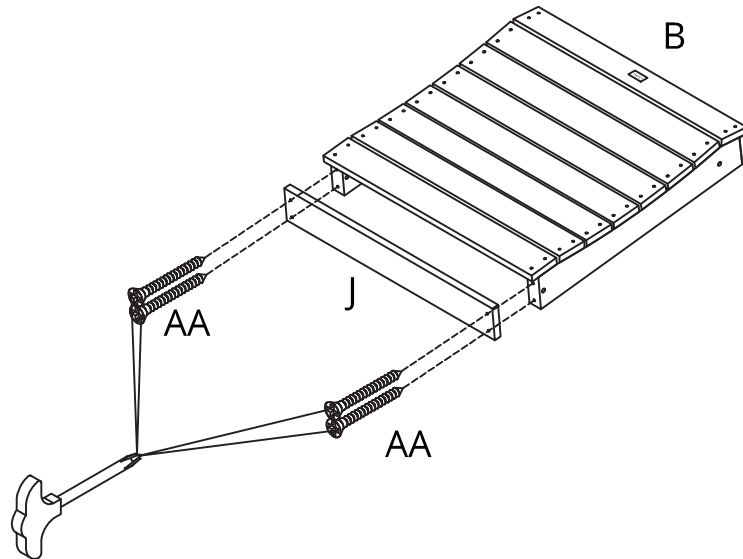
x 1PC
Phillips screwdriver

Step 1

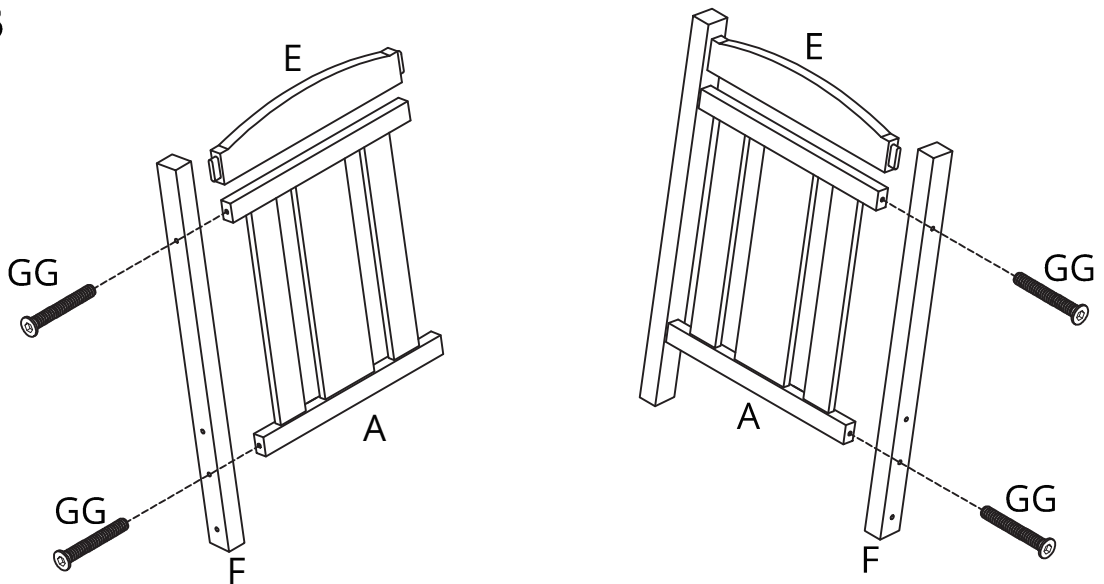


Notice: The front leg with 3 holes of the Frame(G) should be installed in the front position of the Rocker Bar(H).

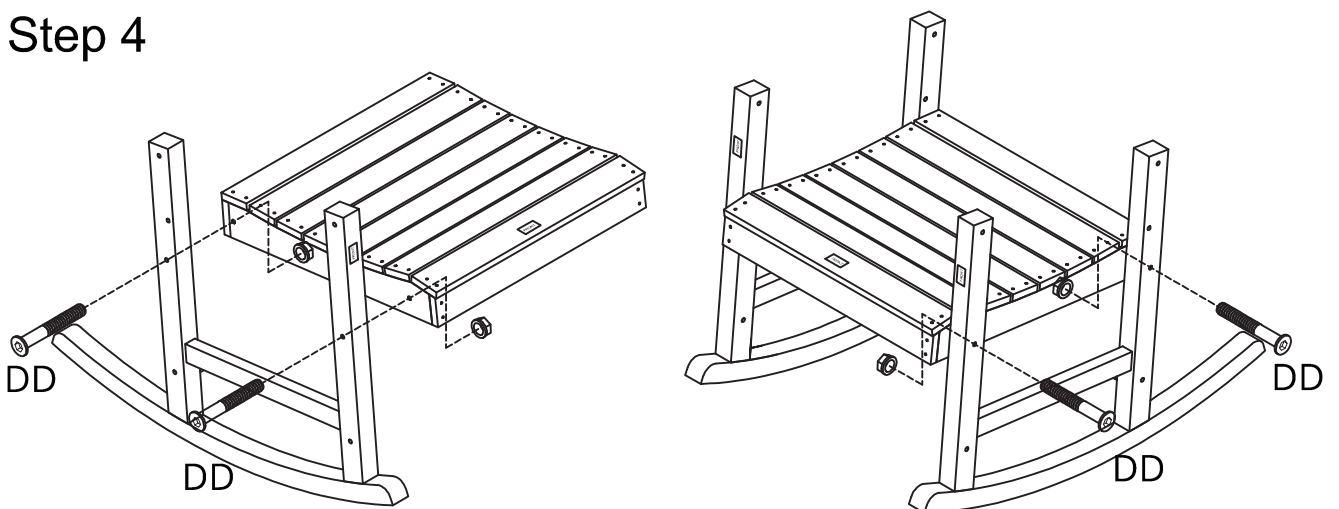
Step 2



Step 3

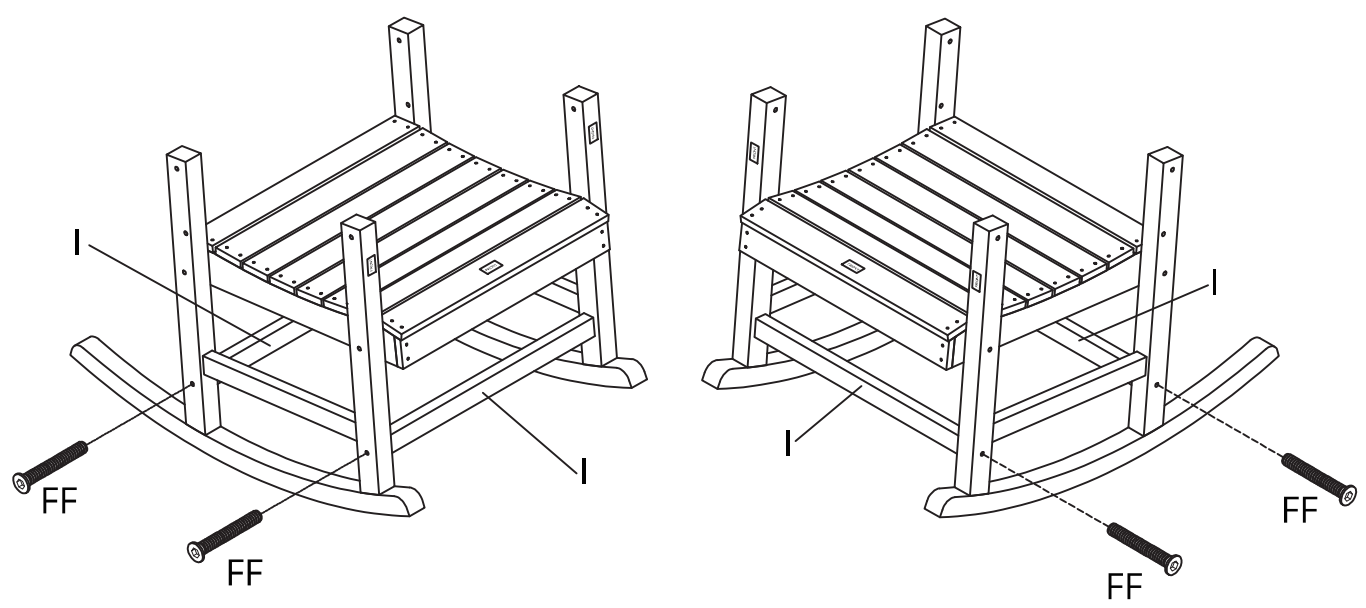


Step 4

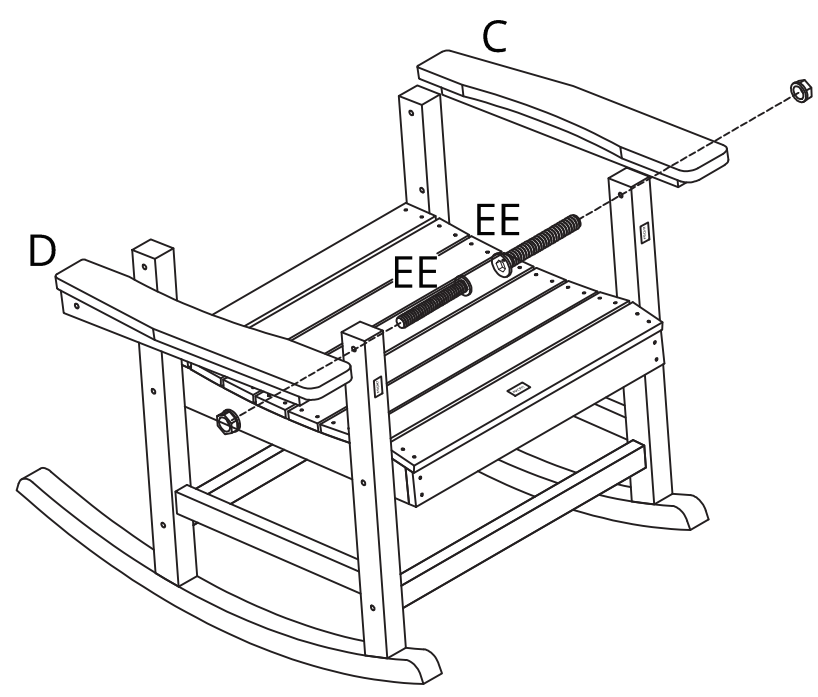


Do not fully tighten all bolts until Back A and Seat B are installed together.

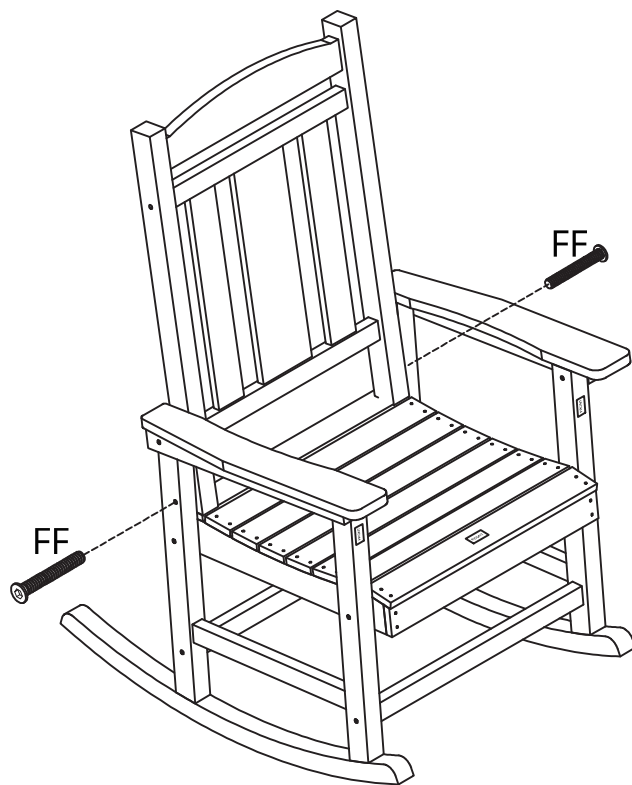
Step 5



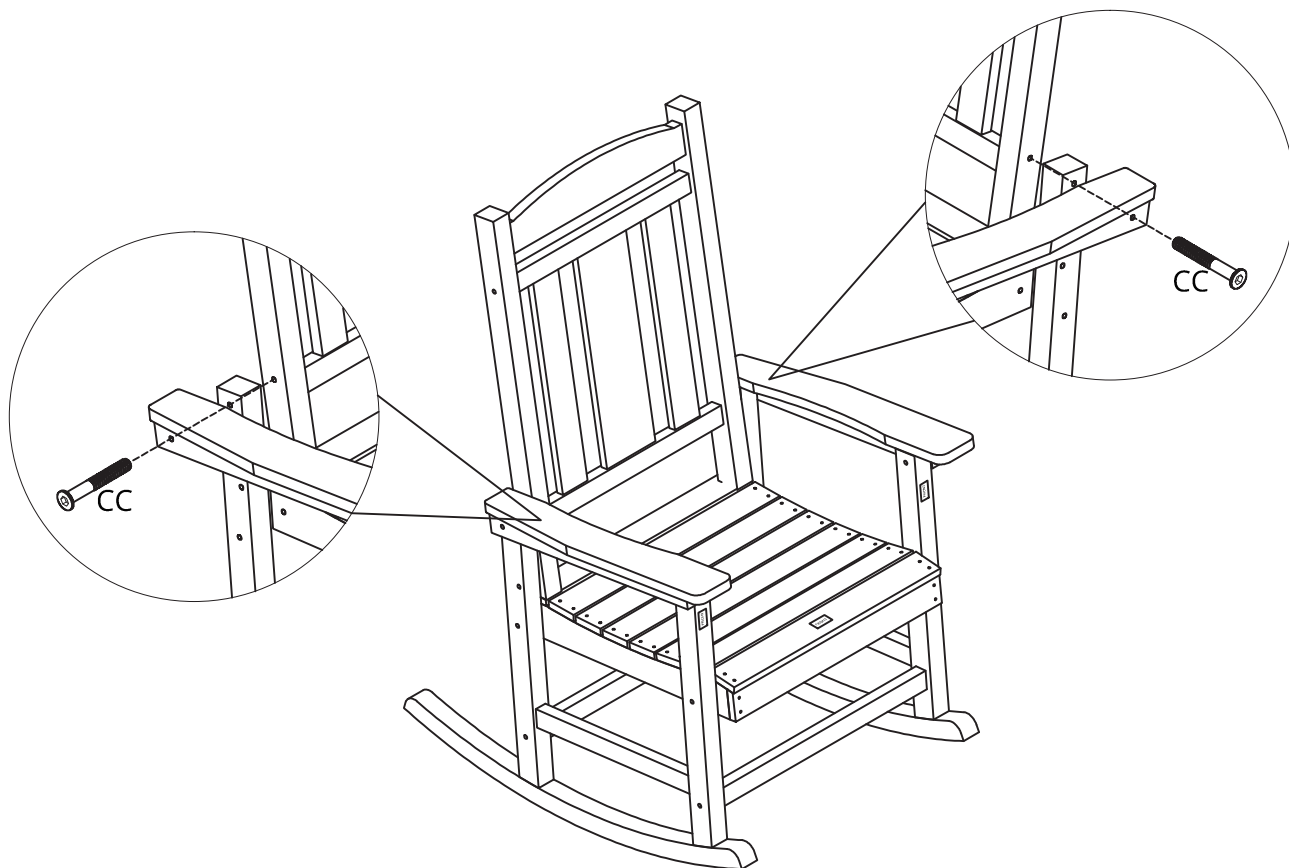
Step 6



Step 7



Step 8



Completed

