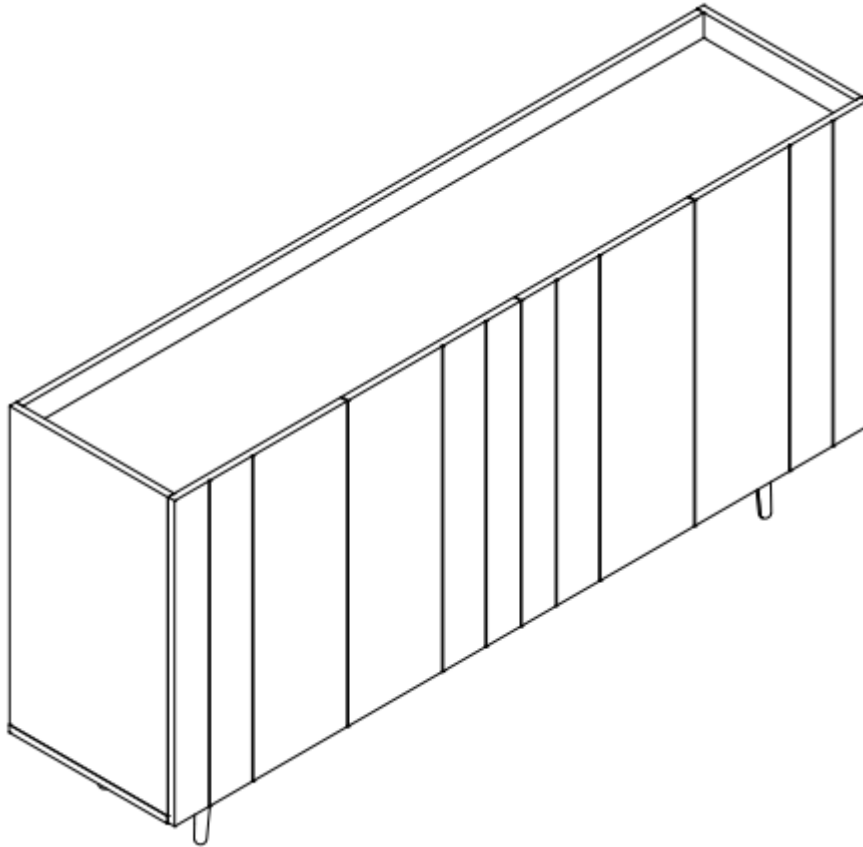


# SHOE CABINET

Assembly Instructions - Please keep for future reference



## Dimensions

Width-62.99inch

Depth-14.96inch

Height-31.50inch

Important – Please read these instructions fully before starting assembly



# Safety and Care Advice

**Important – Please read these instructions fully before starting assembly**

- Check you have all the components and tools listed on the following pages.
- Remove all fittings from the plastic bags and separate them into their groups.
- Keep children and animals away from the work area, small parts could choke if swallowed.
- Make sure you have enough space to layout the parts before starting.

- During assembly do not stand or put weight on the product, this could cause damage.
- Assemble the item as close to its final position (in the same room) as possible.
- Assemble on a soft level surface to avoid damaging the unit or your floor.
- Parts of the assembly will be easier with 2 people.



power drill is set on a low torque setting.

- To reduce the likelihood of damaging your product please ensure that your

## Care and maintenance

- Only clean using a damp cloth and mild detergent, do not use bleach or abrasive cleaners.
- From time to time check that there are no loose screws on this unit.
- This product should not be discarded with household waste. Take to your local authority waste disposal centre.

## Handy Hints

- Assemble all parts and bolts loosely during assembly, only once the product is complete should you fully tighten the bolts
- Regularly check and ensure That all bolts and fittings are tightend properly.

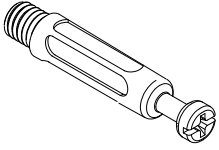
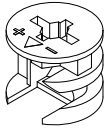
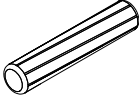
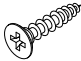
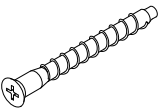
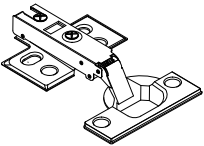
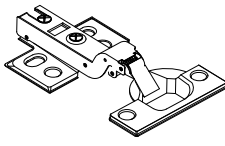

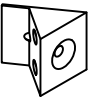

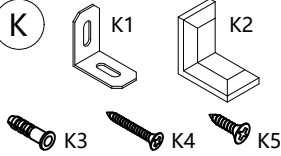
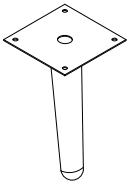
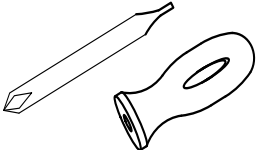
**WARNING**  
**In order to help prevent overturning – please follow these instructions**

To help prevent product toppling over please follow the below steps:-

- Use the anti tip stap or wall fixing method provided (if applicable)
- Do not allow children to climb or hang on the furniture
- Do not open more than one drawer at a time
- Do not place heavy items in the top drawers
- Do not place heavy items on top of the furniture, unless the furniture has been designed for this purpose

## Please check you have all the panels listed below

Note: The quantities below are the correct amount to complete the assembly. In some cases more fittings may be supplied than are required.

<p><b>A1</b></p>  <p>Cam Bolt x (16+1)</p>	<p><b>A2</b></p>  <p>Cam Lock x (16+1)</p>	<p><b>B</b></p>  <p>8*40mm Dowel x (14+1)</p>	<p><b>C</b></p>  <p>3.5*14mm Screw x (84+2)</p>
<p><b>D</b></p>  <p>7*50mm Dowel x 6</p>	<p><b>E</b></p>  <p>Hinge x 4</p>	<p><b>F</b></p>  <p>Hinge x 4</p>	<p><b>G</b></p>  <p>Shelf support pin x 16</p>
<p><b>H</b></p>  <p>Backboard buckle x 16</p>	<p><b>J</b></p>  <p>Hole to stick x 6</p>	<p><b>K</b></p>  <p>Anti-toppling x 2</p>	<p><b>L</b></p>  <p>Leg x 5</p>
<p><b>M</b></p>  <p>Screwdriver x 1</p>			

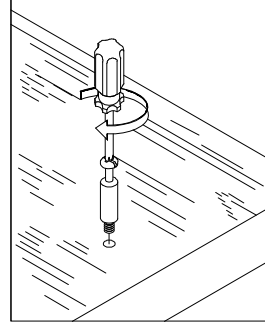
# Using Camlocks

## Step 1

Connect the male camlock as directed in the assembly instructions using a screwdriver.

1

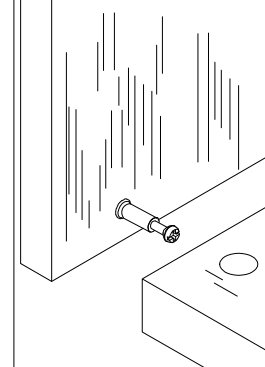
DO NOT OVER TIGHTEN.  
NE PAS SERRER EXCESSIVEMENT.



## Step 2

Push the male camlock into the entry hole.

2

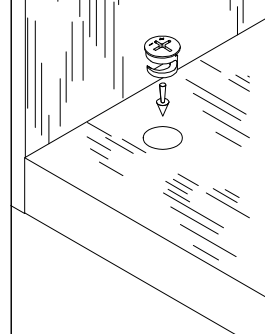


## Step 3

Insert the female camlock as shown in the instruction.

Note: ensure that the arrow on the top of the camlock points towards the entry hole for the male camlock.

3



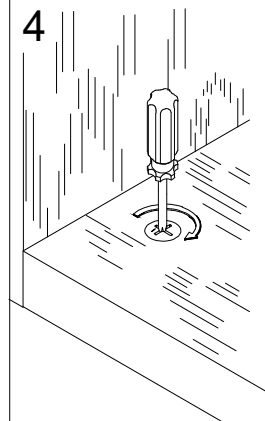
## Step 4

Turn the female camlock clockwise with a screwdriver.

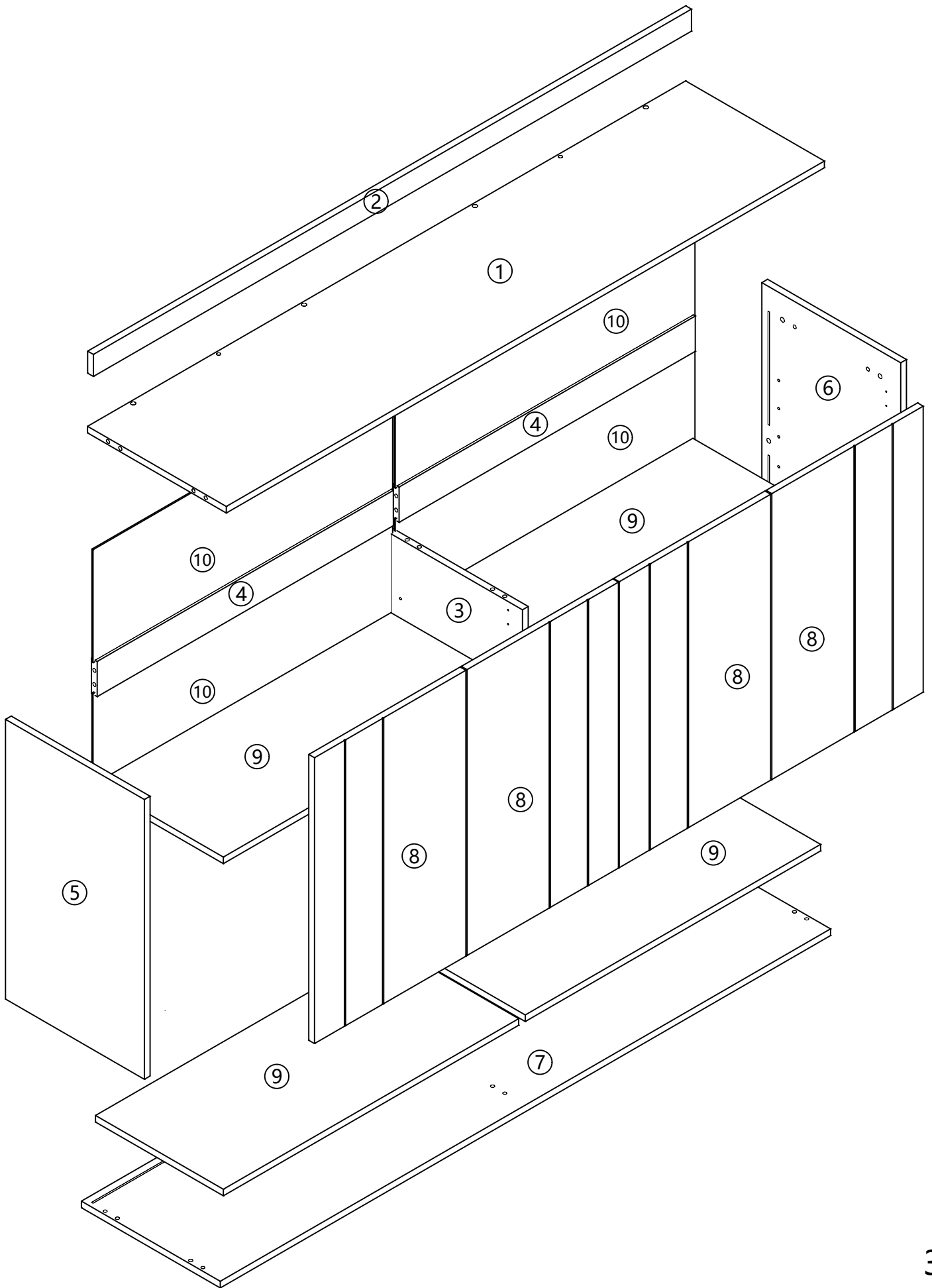
You should feel a click when the camlock is locked in place.

The joint is now secure.

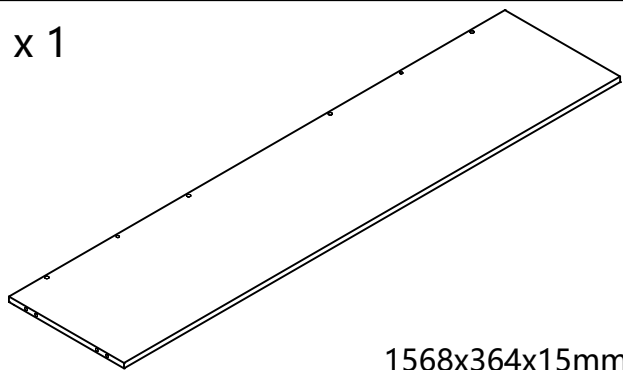
4



# Assembly Instructions

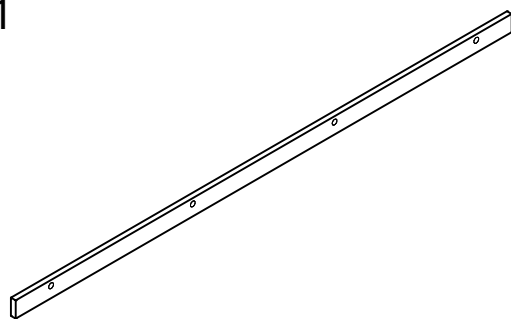


① x 1



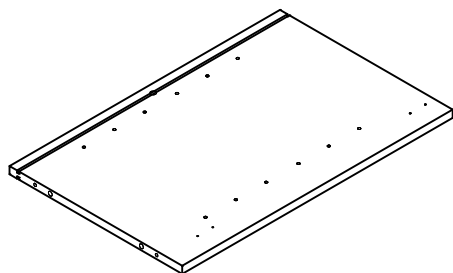
1568x364x15mm

② x 1



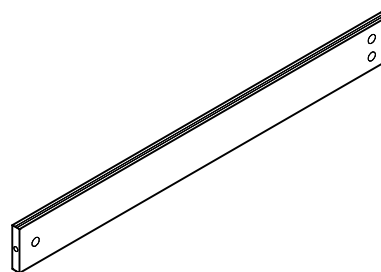
1568x50x15mm

③ x 1



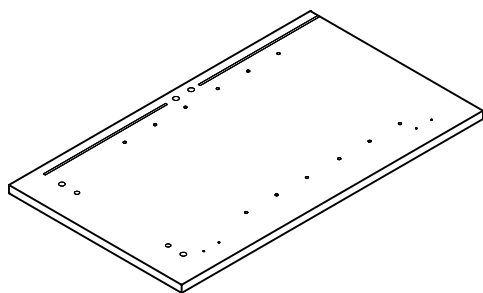
570x364x15mm

④ x 2



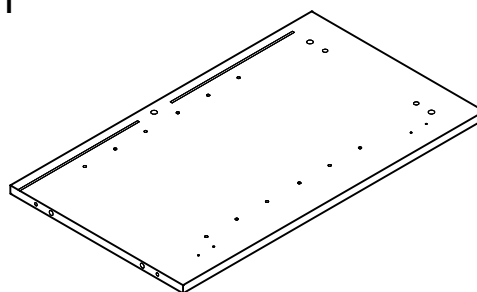
776.5x80x15mm

⑤ x 1



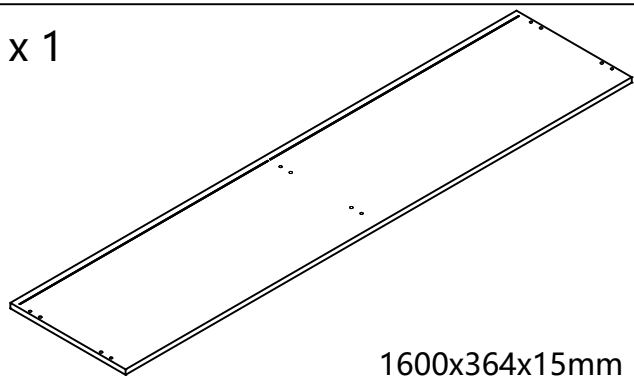
635x364x15mm

⑥ x 1



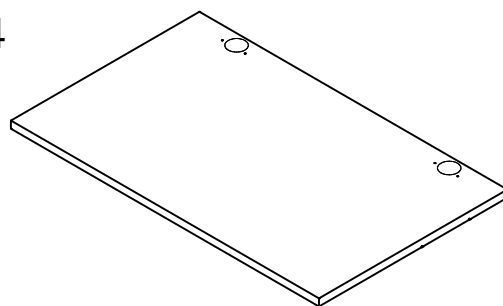
635x364x15mm

⑦ x 1



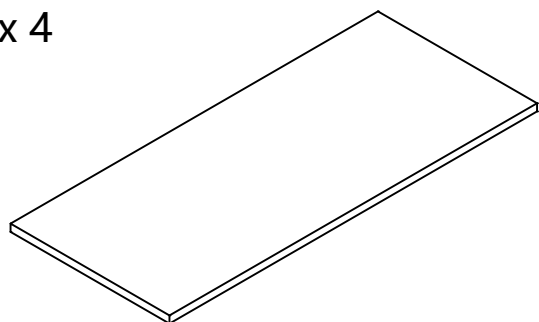
1600x364x15mm

⑧ x 4



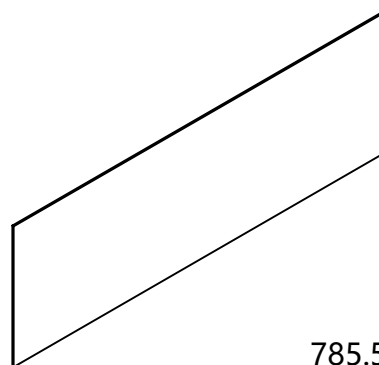
649x397x15mm

⑨ x 4



772.5x335x15mm

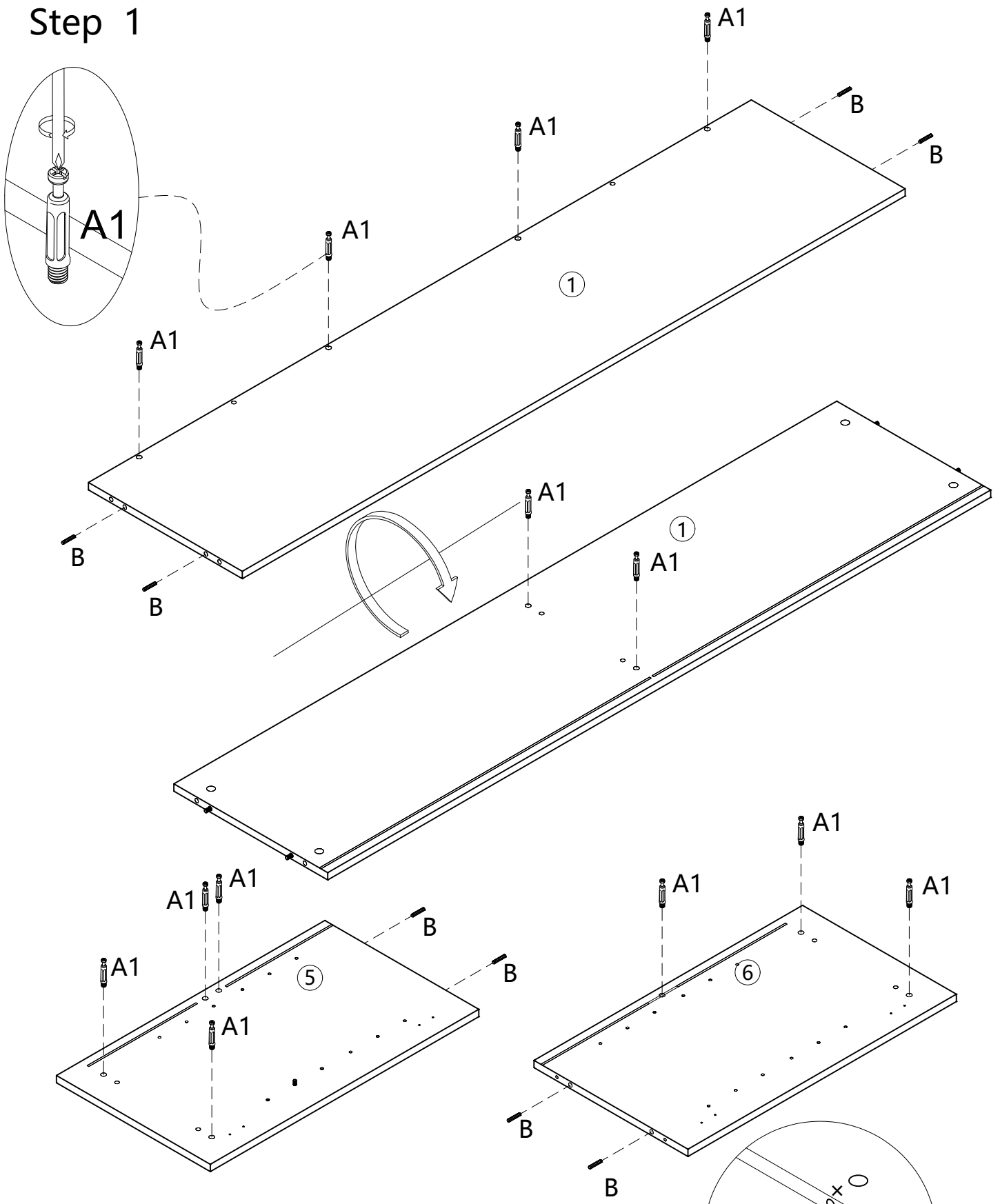
⑩ x 4

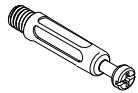
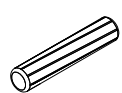


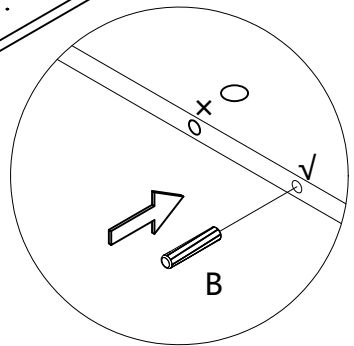
785.5x255x3mm

# Assembly Instructions

## Step 1

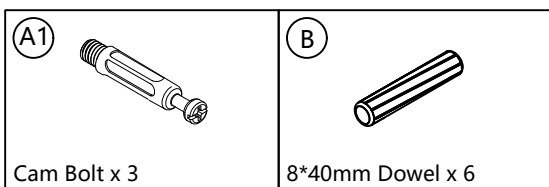
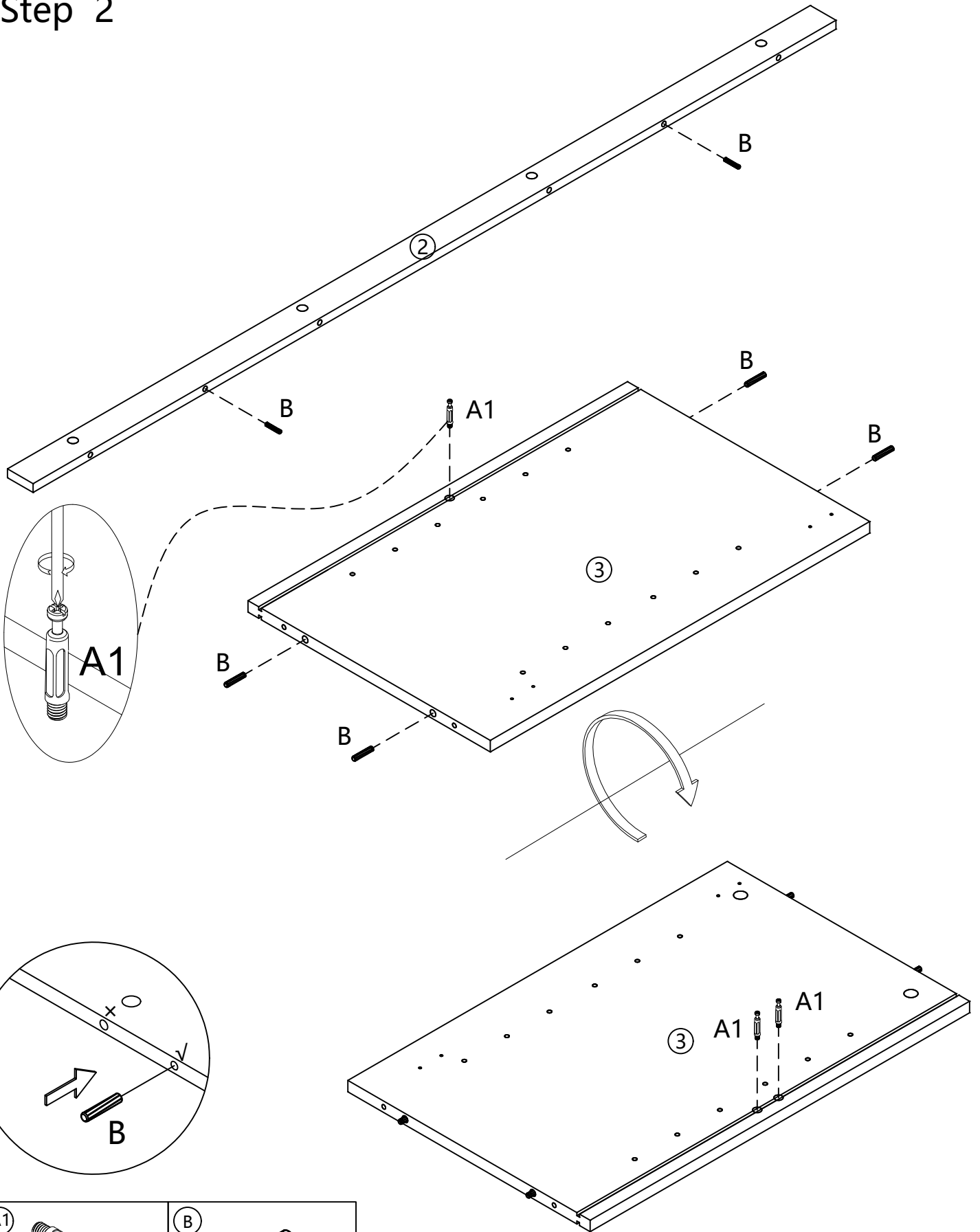


<p>(A1)</p>  <p>Cam Bolt x 13</p>	<p>(B)</p>  <p>8*40mm Dowel x 8</p>
--	--



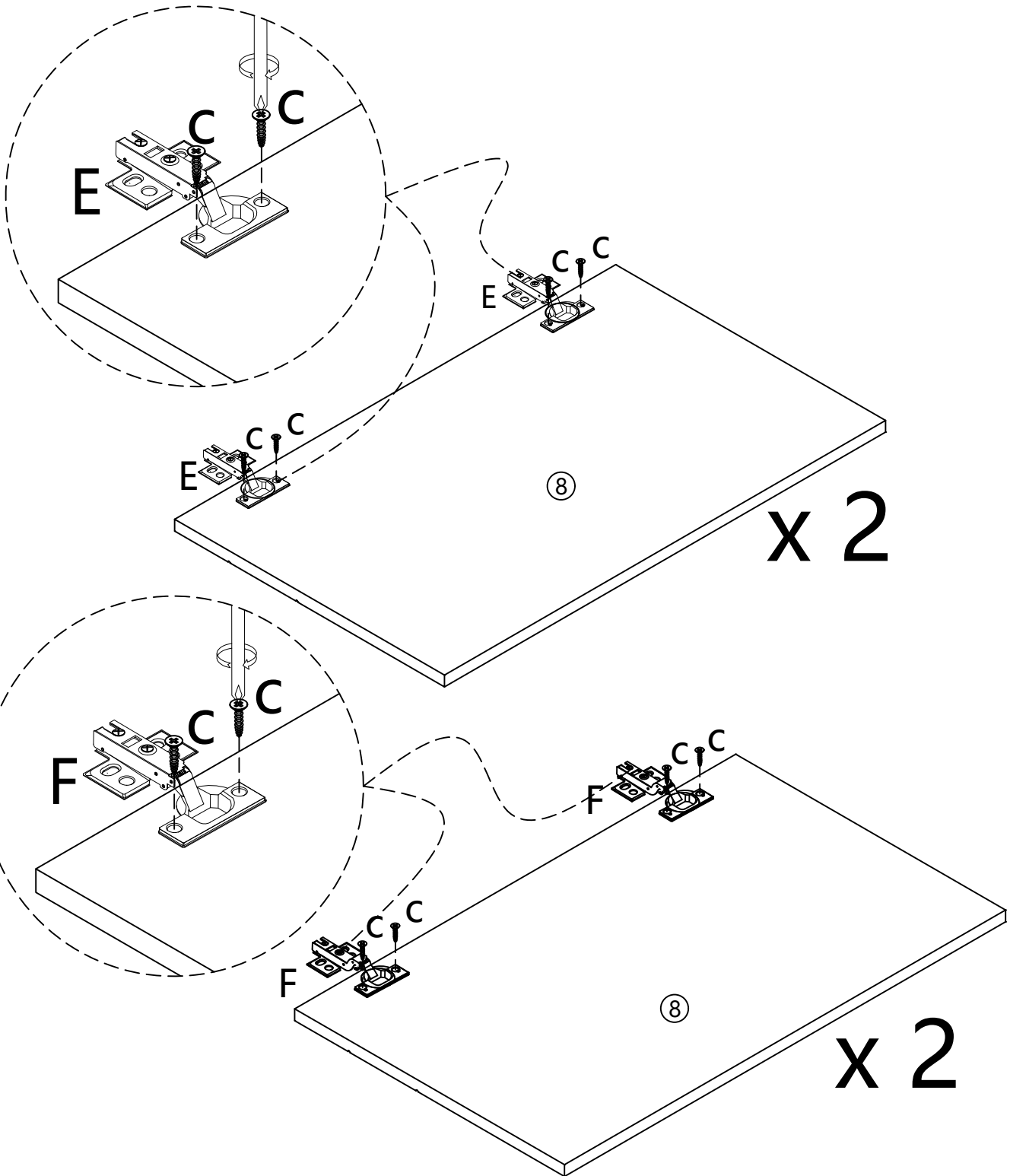
# Assembly Instructions


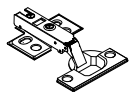
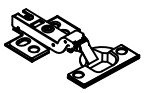
## Step 2



# Assembly Instructions

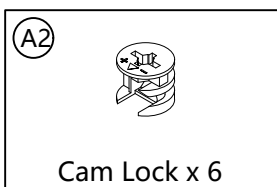
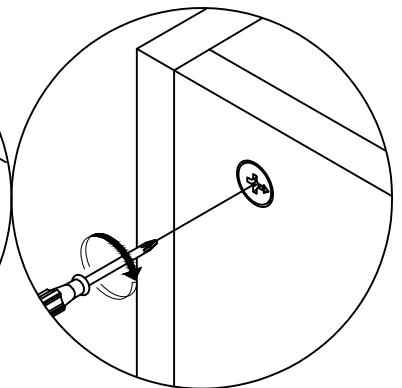
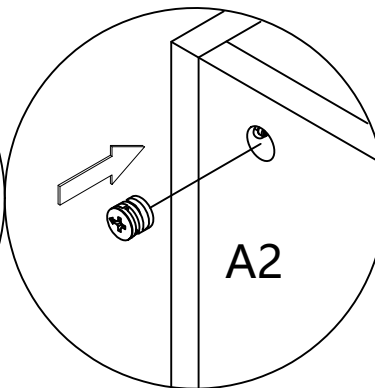
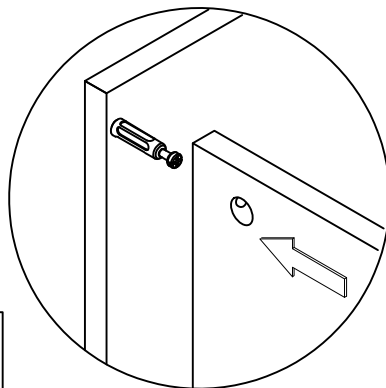
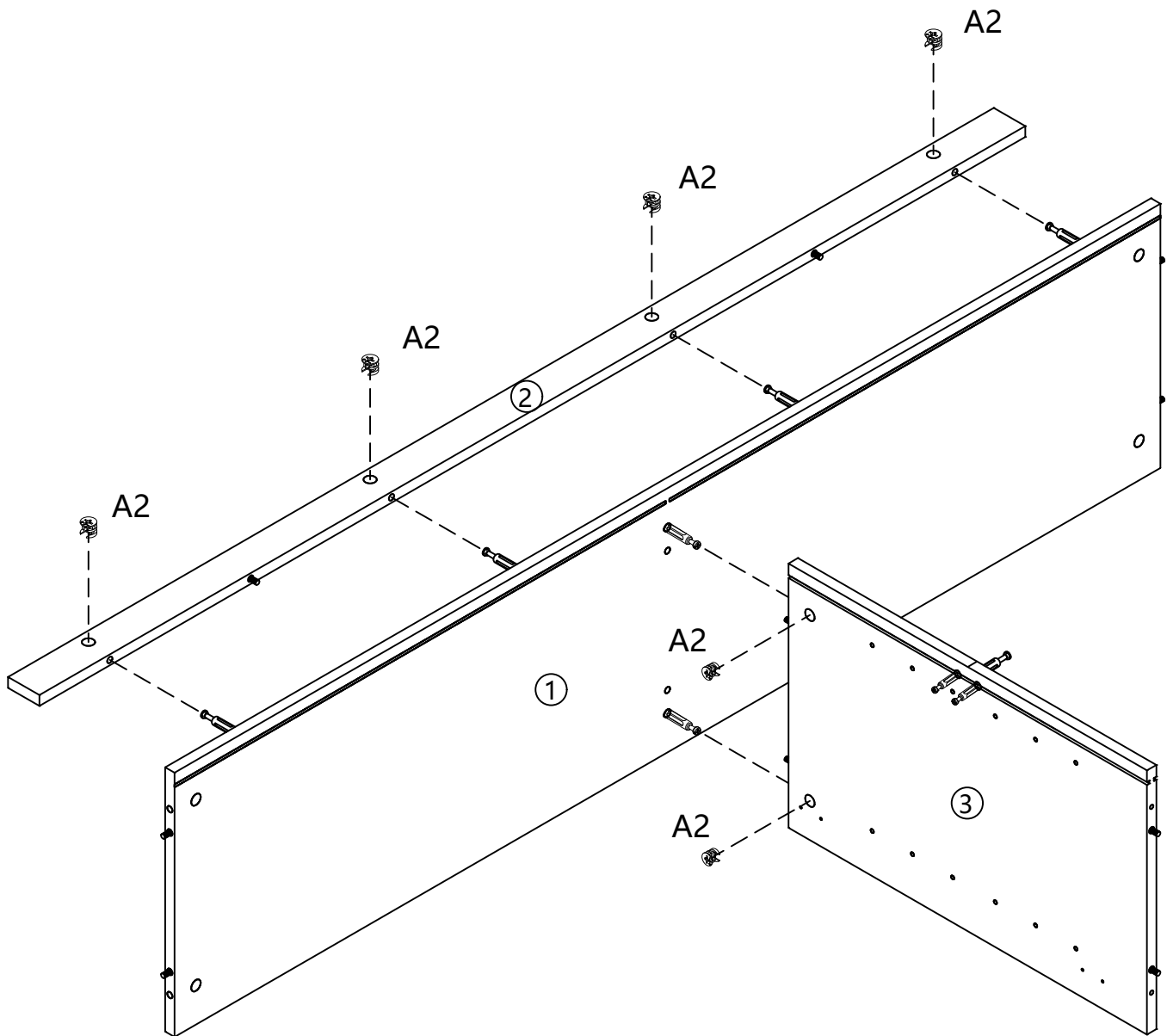
## Step 3



<p>(C)</p>  <p>3.5*14mm Screw x 16</p>	<p>(E)</p>  <p>Hinge x 4</p>	<p>(F)</p>  <p>Hinge x 4</p>
---	---	---

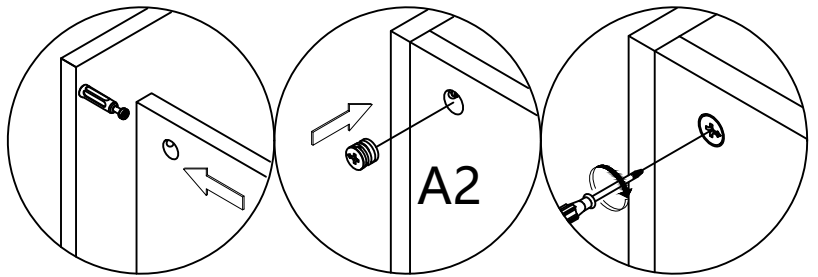
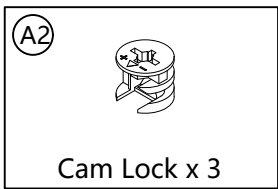
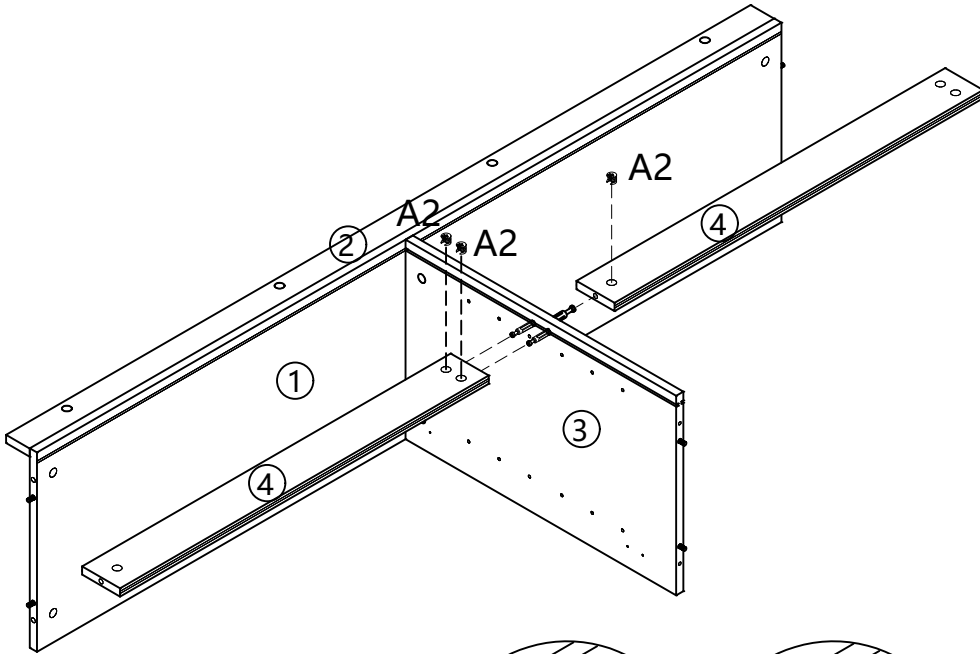
# Assembly Instructions

## Step 4

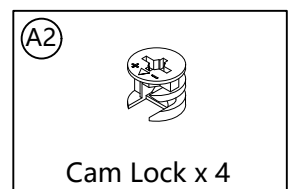
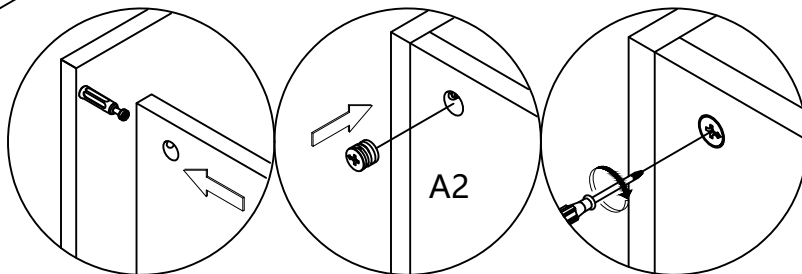
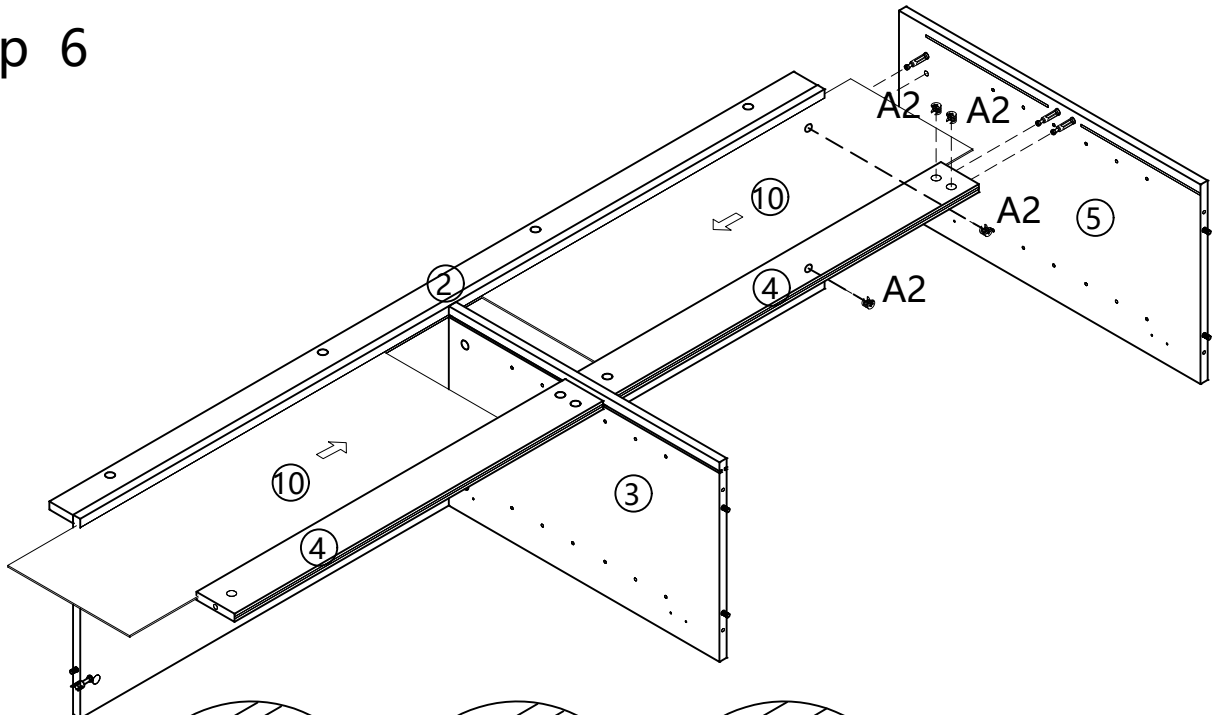


# Assembly Instructions

## Step 5

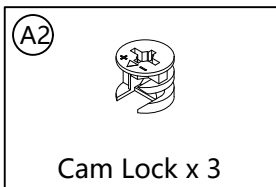
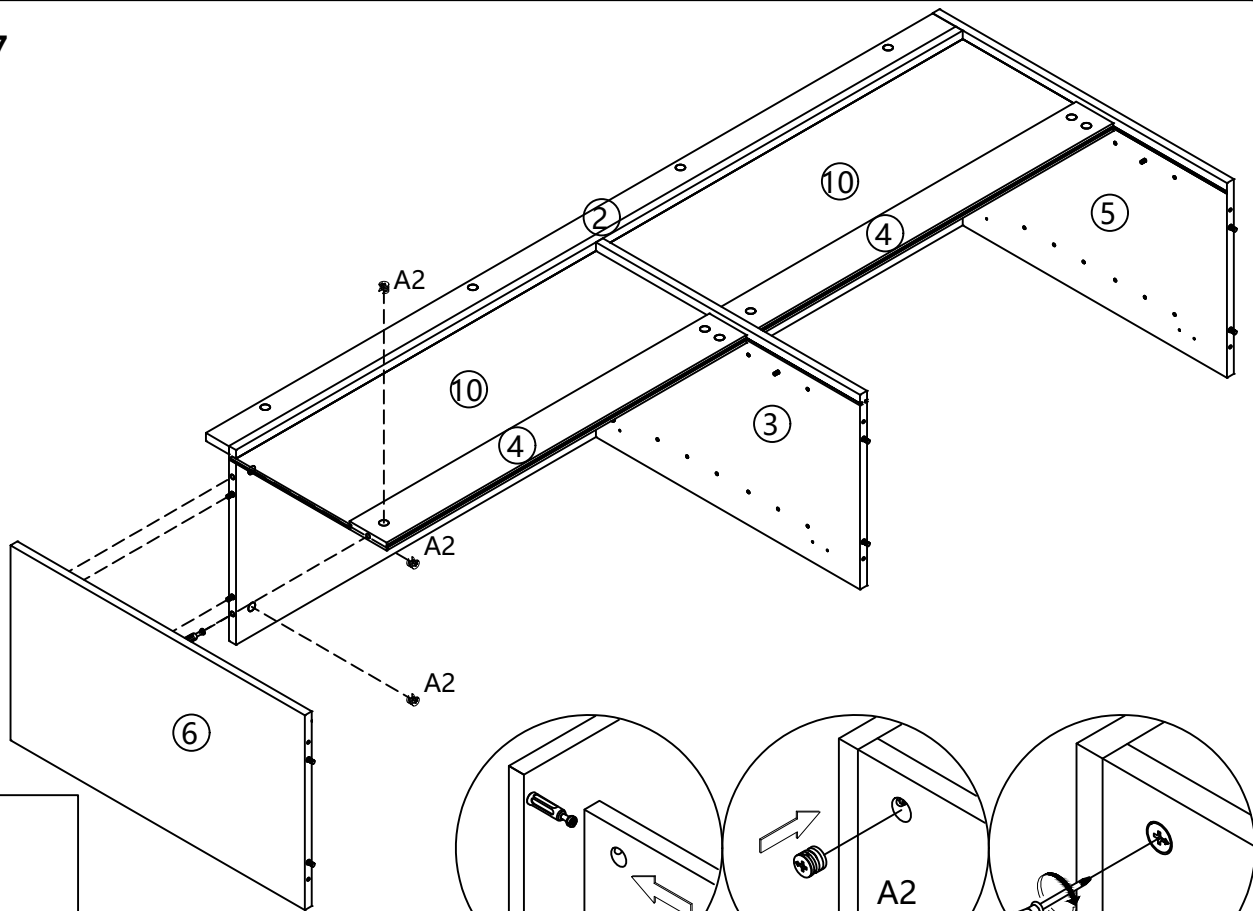


## Step 6

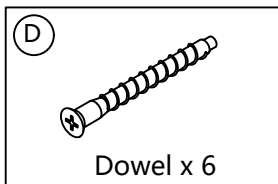
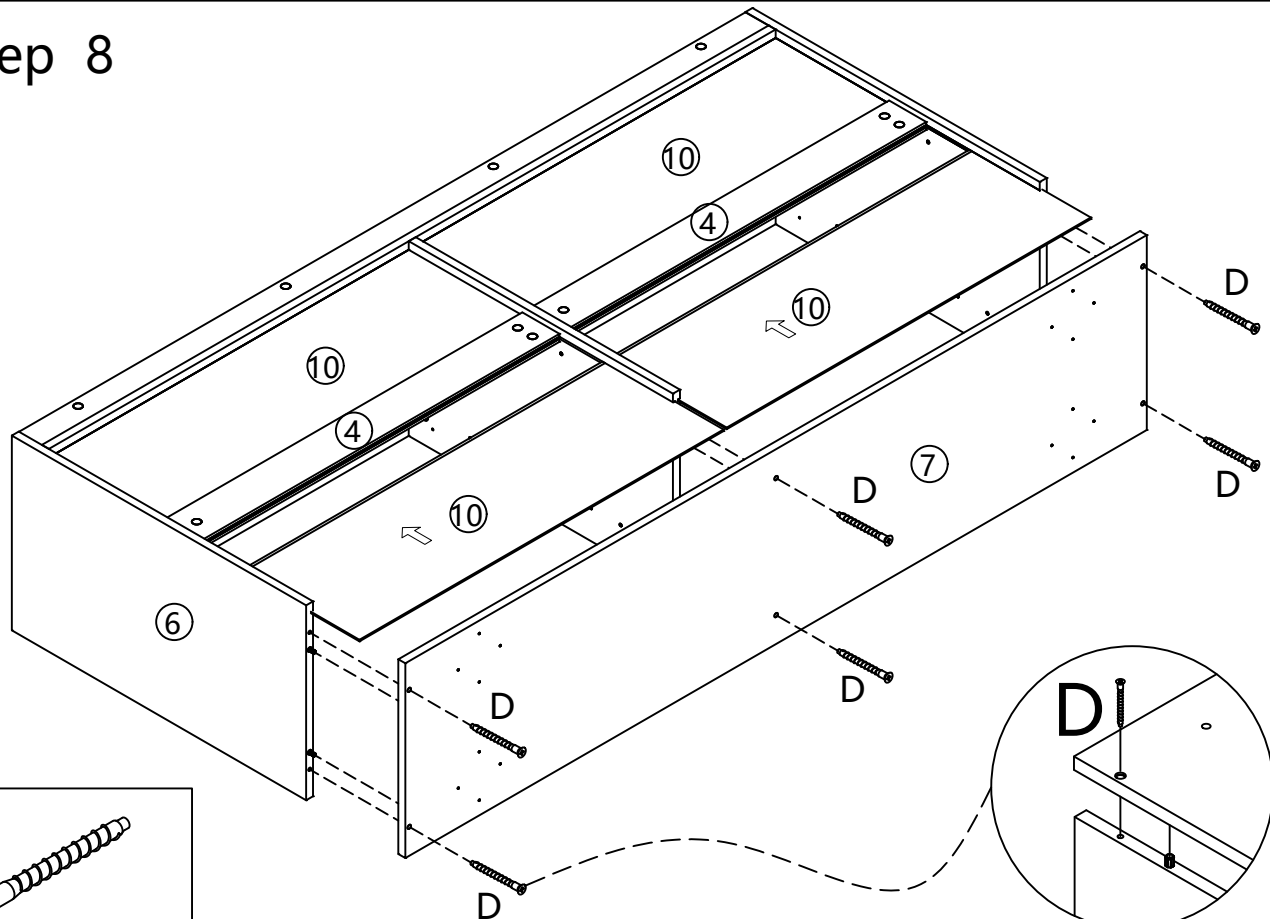


# Assembly Instructions

## Step 7

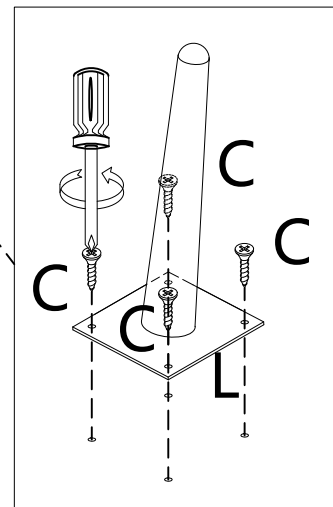
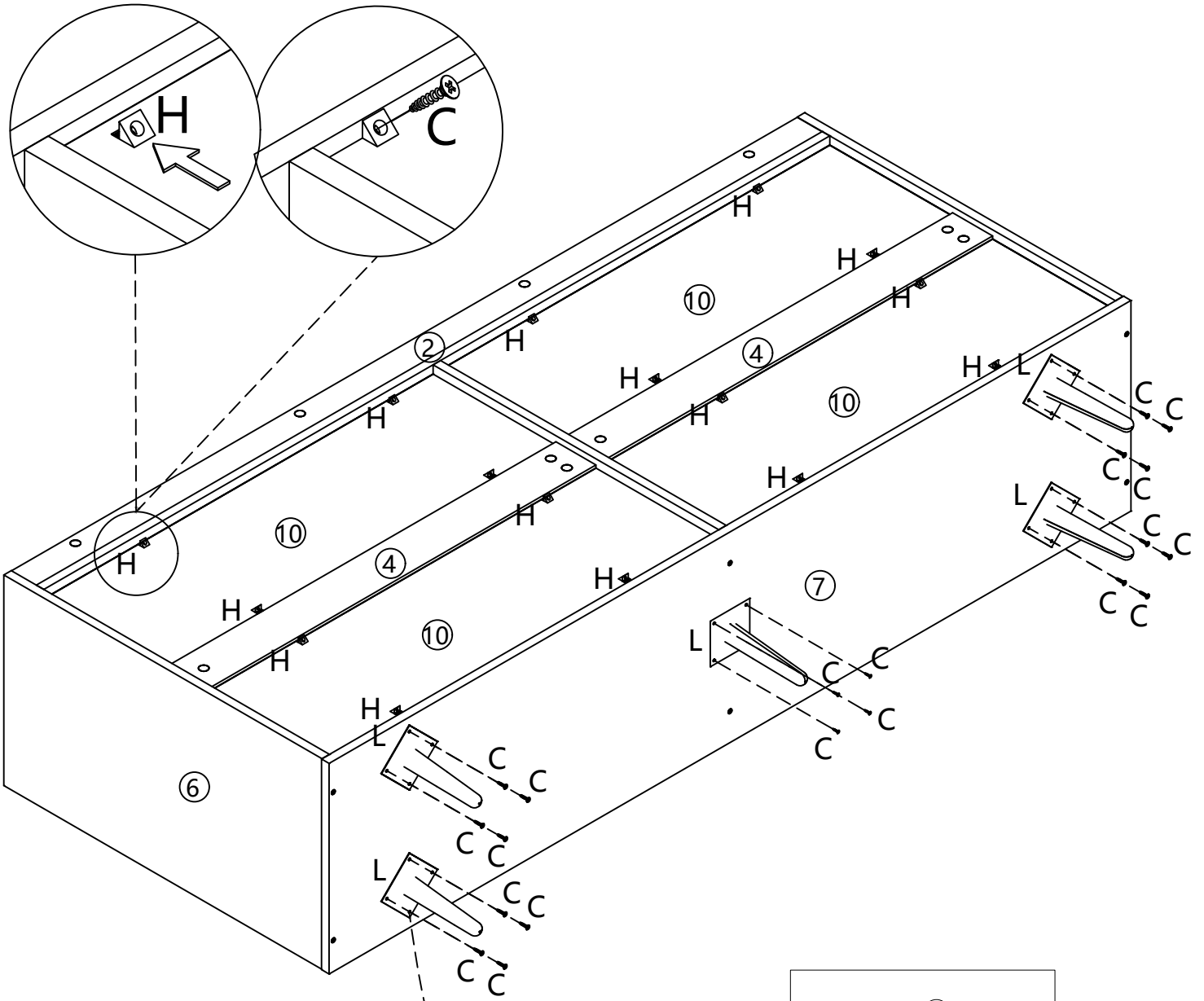



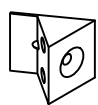

## Step 8



# Assembly Instructions

## Step 9

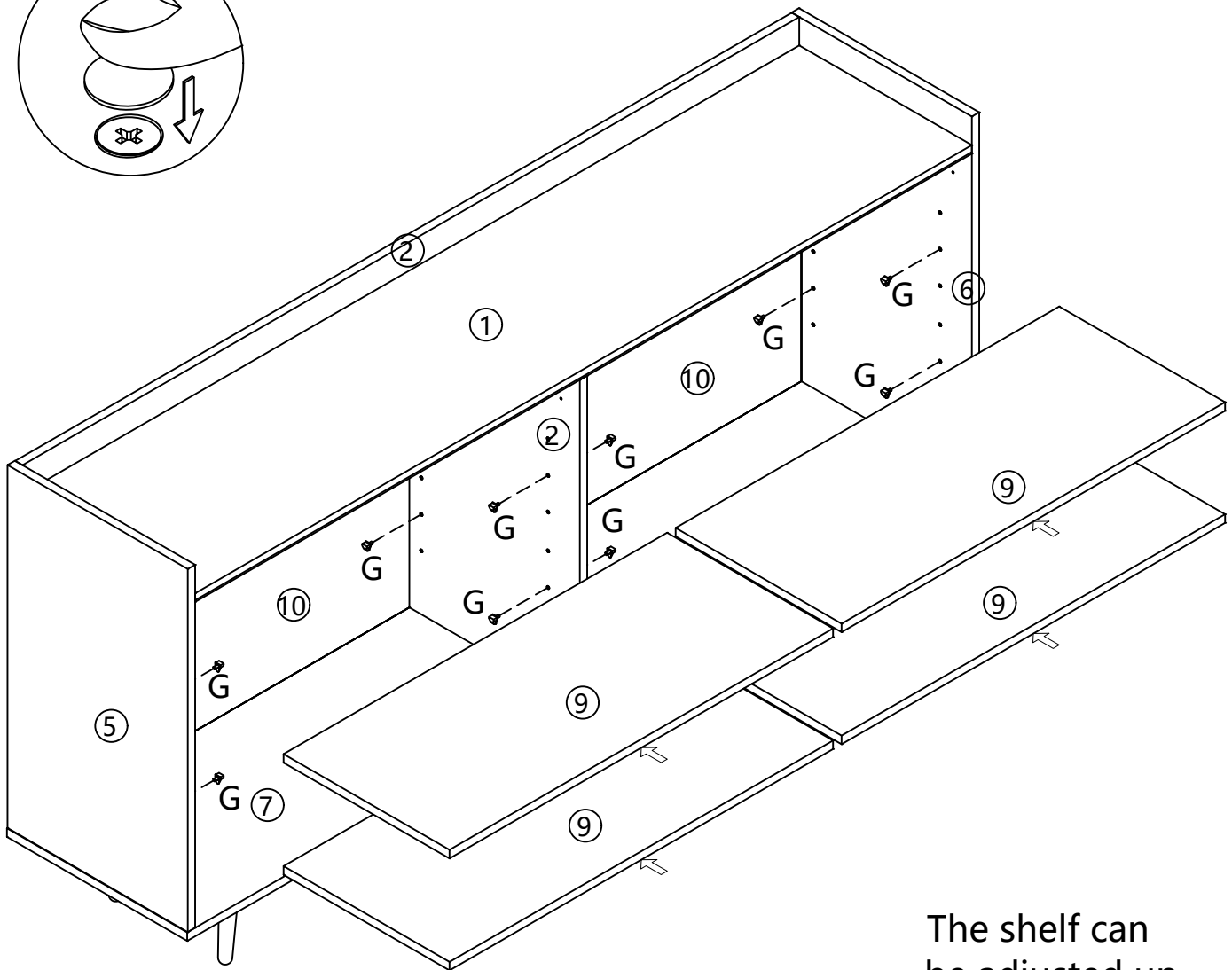
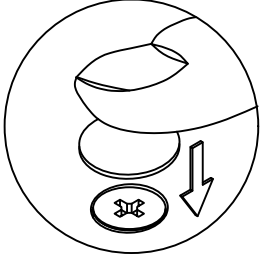
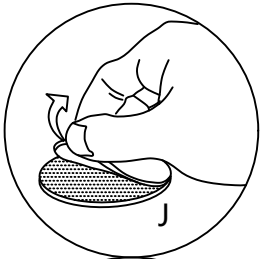


<p>(C) DR</p>  <p>3.5*14mm Screw x 36</p>	<p>(H)</p>  <p>Backboard buckle x 16</p>	<p>(L)</p>  <p>Leg x 5</p>
--	---	---

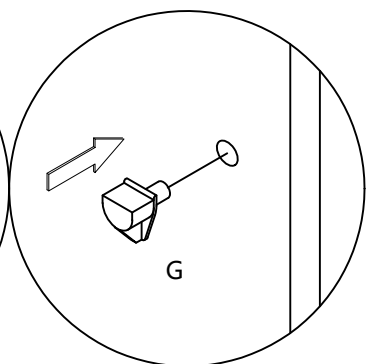
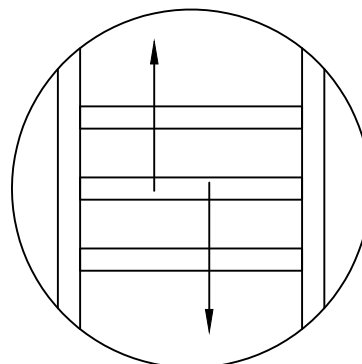
# Assembly Instructions



## Step 10

In order to make the product more beautiful, please paste hardware J on the exposed holes



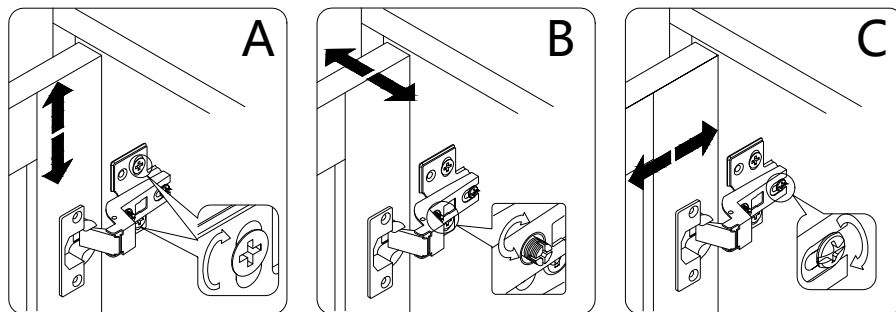
The shelf can be adjusted up and down



<p>G</p>  <p>Shelf support pin x 16</p>	<p>J</p>  <p>Hole to stick x 6</p>
--	---

# Assembly Instructions

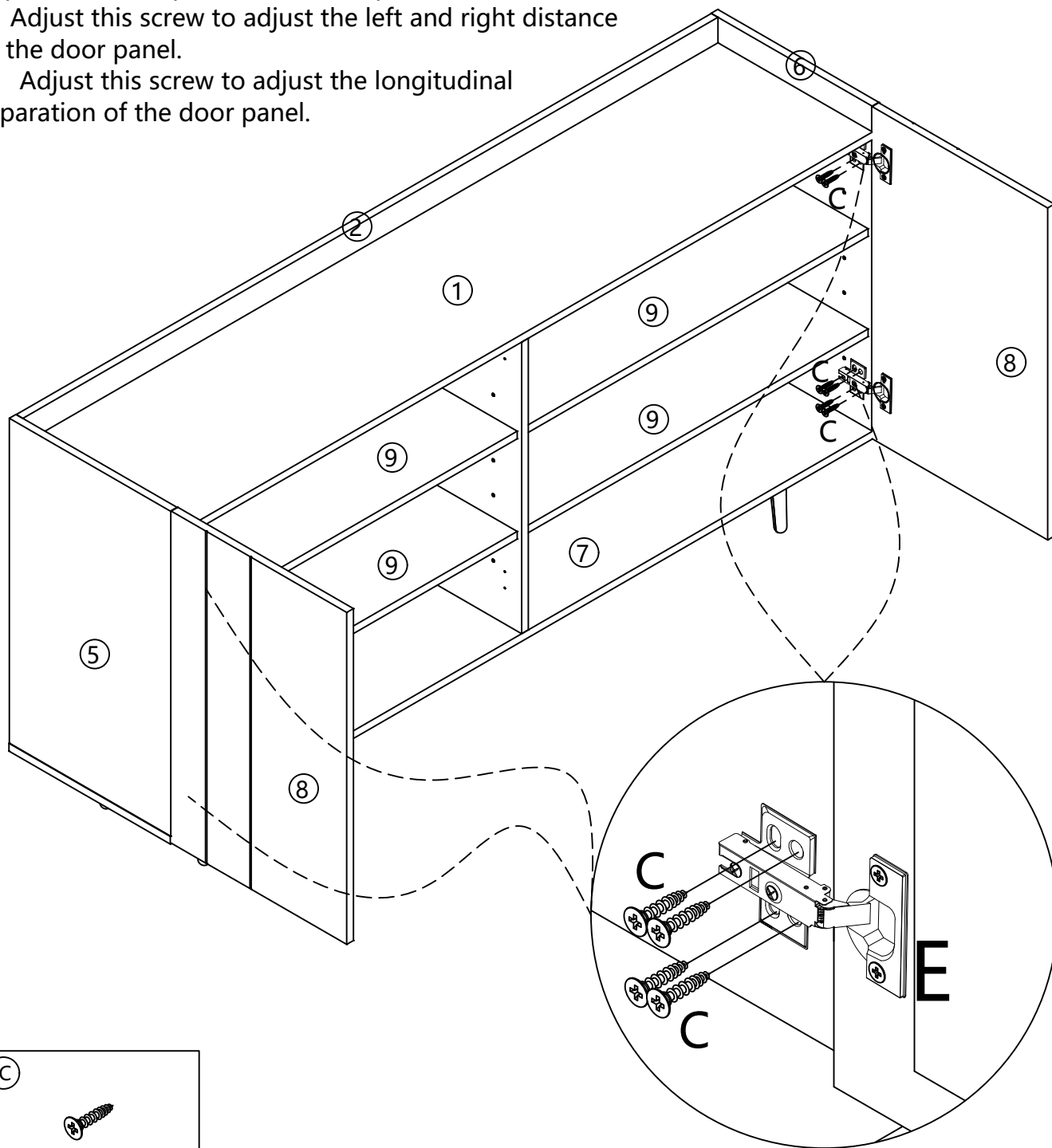
## Step 11



A Adjust this screw to adjust the distance between the upper and down parts of the door panel,

B Adjust this screw to adjust the left and right distance of the door panel.

C Adjust this screw to adjust the longitudinal separation of the door panel.



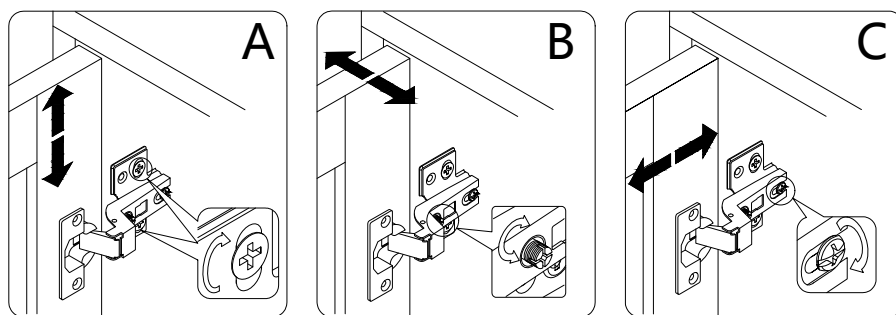
C



3.5\*14mm Screw x 16

# Assembly Instructions

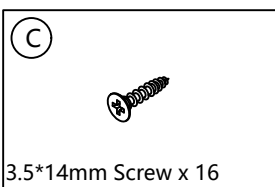
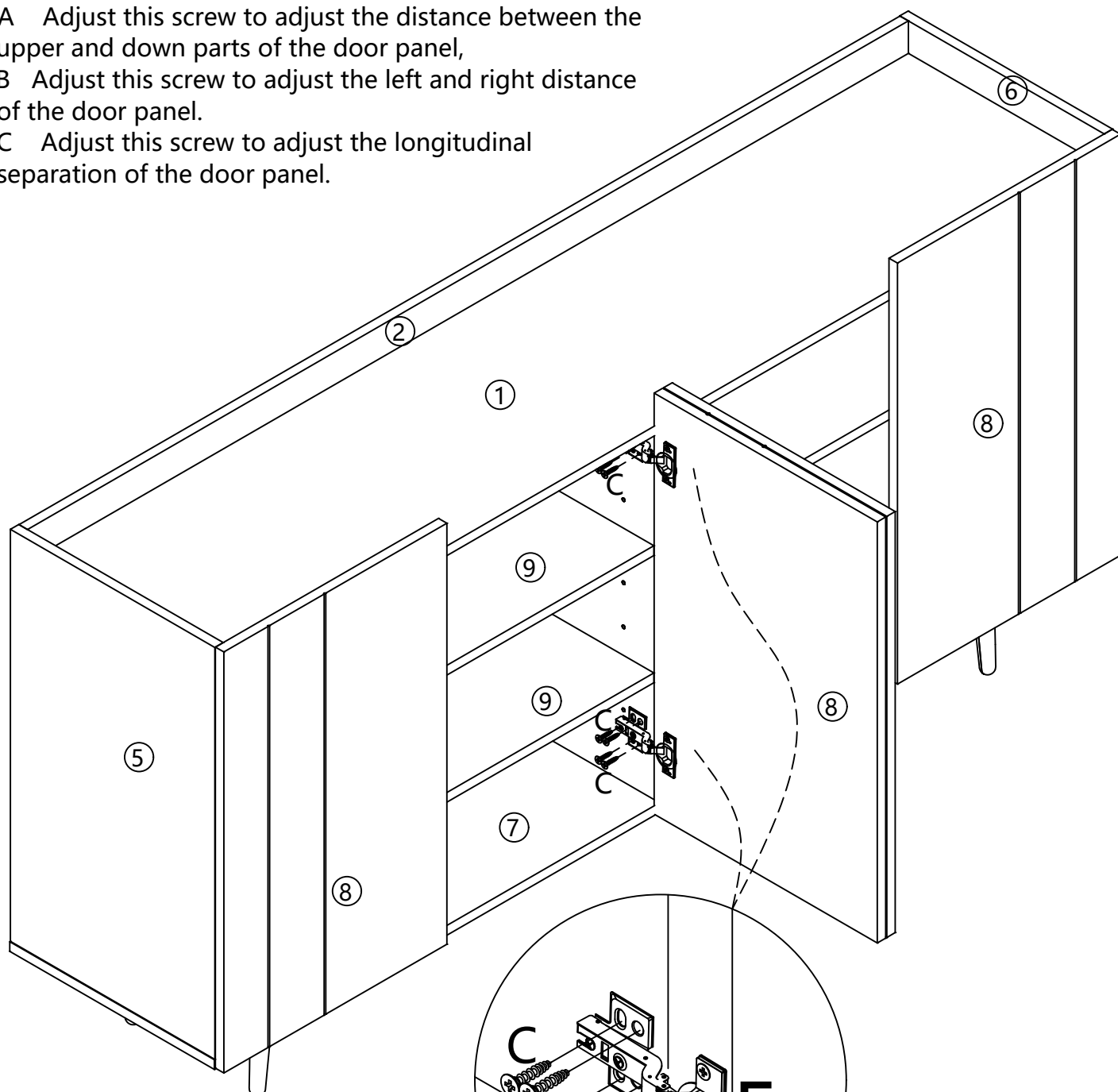
## Step 12



A Adjust this screw to adjust the distance between the upper and down parts of the door panel,

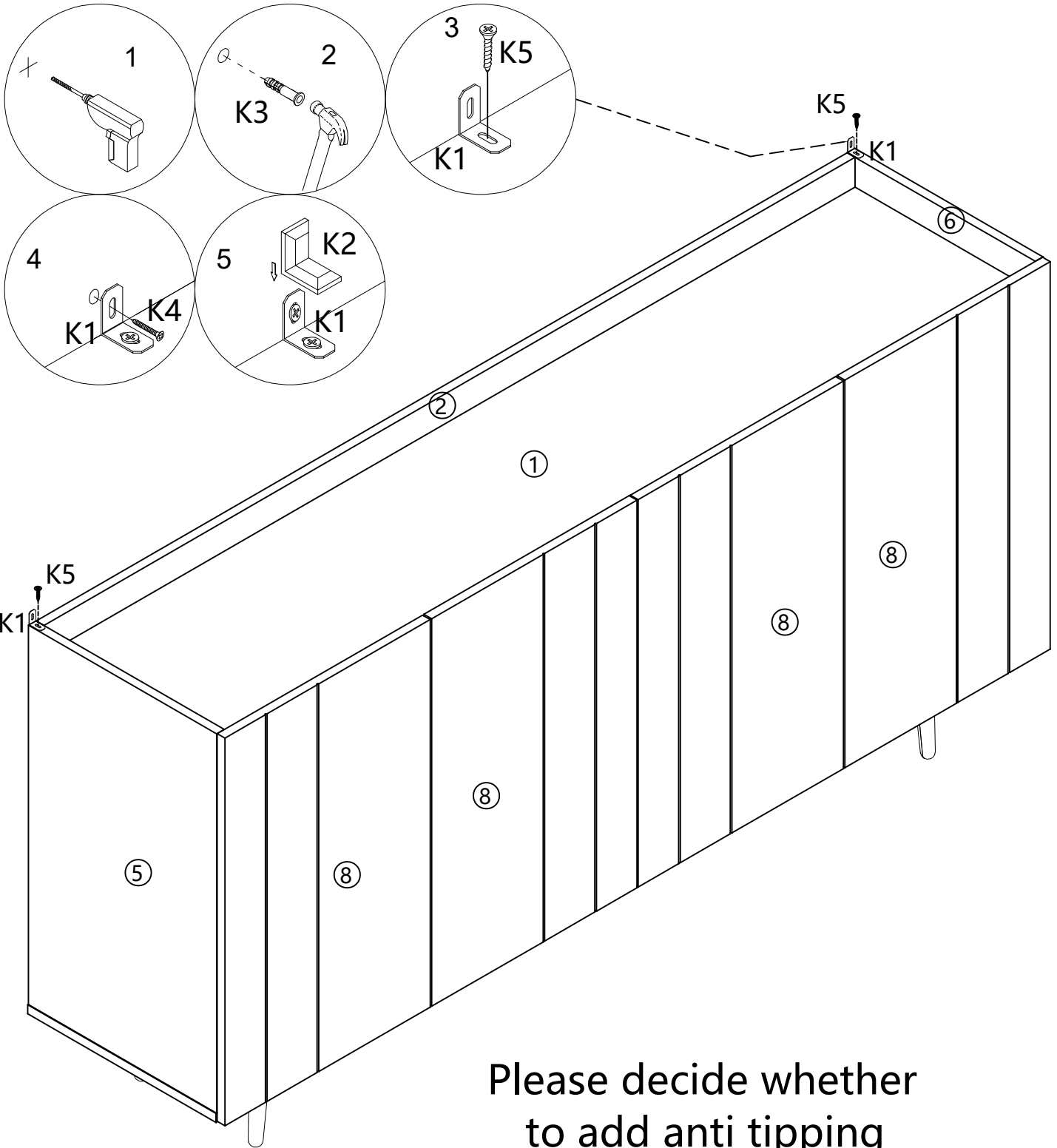
B Adjust this screw to adjust the left and right distance of the door panel.

C Adjust this screw to adjust the longitudinal separation of the door panel.

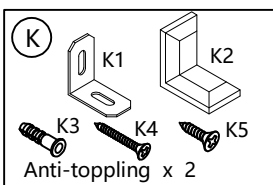


# Assembly Instructions

## Step 13



Please decide whether to add anti tipping accessories based on personal needs



# Assembly Instructions

## Step 14

