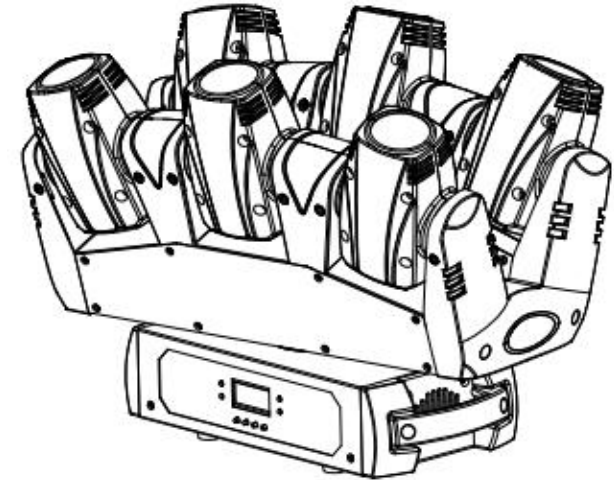


# Six Heads Beam Moving Head Light

(6×10W RGBW 4in1 CREE LED)



## User manual

Please read this user manual before using this product.



## I. Safety instruction



1. When opening the packing, take all accessories out, and remove the light to a horizontal table for good operation. First check whether the accessories are complete, then check carefully whether the whole light has no damage. If there is any damage, please contact us as soon as possible.
2. AC Power : Check whether the local power supply is accordance with the requirements of the product rated voltage.
3. The product is only suitable for indoor working environment. The light should keep dry, keep away from wet, overheat or dusty environment. Don't come into contact with water and other liquids to prevent or reduce the risk of electric shock or fire.
4. Please do not install the light directly on the surface of the combustibile substance.
5. The people who install, operate and maintain of light professional certificate required.
6. When there are faults of the light, please stop using the light immediately. Don't try to repair, please contact the nearest authorized technical assistance center, if the parts damage, always use the same type of parts replaced.
7. Don't touch any electrical wiring in the process of operation to prevent the risk of electric shock.
8. To make sure the light working environment temperature, the highest do not exceed 40 °C , the lowest do not exceed - 20 °C.
9. Under the stable cooling working situation, the highest temperature of the housing of the light can reach 80 °C, please do not touch.
10. The light is design according to the type of electric shock protection. The light should be use in good connection grounding power system and the ground wire must connect with the ground wire of the power supply system. The earth sign port of the light should be connected to the installing fixtures.

## XII. Check The Box

1. 1pc device
2. 2pcs handle with quick lock
3. 1pc Safety eyes
4. 1pc power cable
5. 1pc user manual

For security reasons , customer is not allow unauthorized restructuring or modify this product. Please note that if machine damage caused by improper use, it's not covered by our warranty.

This device undergo a rigorous inspection, please observe the operating requirements of the specification, in order to ensure the safe operation of the product under normal circumstances.

If any damage caused by improper operation will result in the termination of the warranty claims.

Manufacturer does not accept any property damage and personal injury due to improper operation or non-compliance with the operating instructions .

Please keep the manual in a safe place, for future reference as well as after the product sale or lease, or transfer to the new transport holders.

## XI. Product Specification

1. Built-in master-slave, sound control and show mode
2. LCD digital display, easy to control
3. It's suitable for disco, club, bar, party and DJ moving show
4. DMX channel: 1CH, 6CH, 14CH, 16CH and 30CH;
5. Voltage: AC100-240V 50/60Hz
6. Fuse: F3AL250V
7. Power consumption: P=110W
8. Light source: 6pcs 10W RGBW 4in1 CREE LEDs
10. N.W: 9kg
11. G.W: 10.7kg
12. Size: 41\*27\*26CM
13. Carton size: 48\*34\*33.5CM
14. Lumin(1 meter)

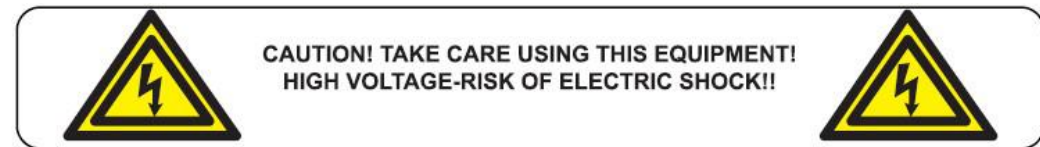
<b>Red</b>	<b>10000</b>	Lux
<b>Green</b>	<b>17000</b>	
<b>Blue</b>	<b>26000</b>	
<b>White</b>	<b>28000</b>	

11. Do not use the damage of the insulating layer wire and also do not use the power cord overlap on the other wire. When not in use or clean the light, please disconnect the power, don't pull the plug in hard or just drag the wires.

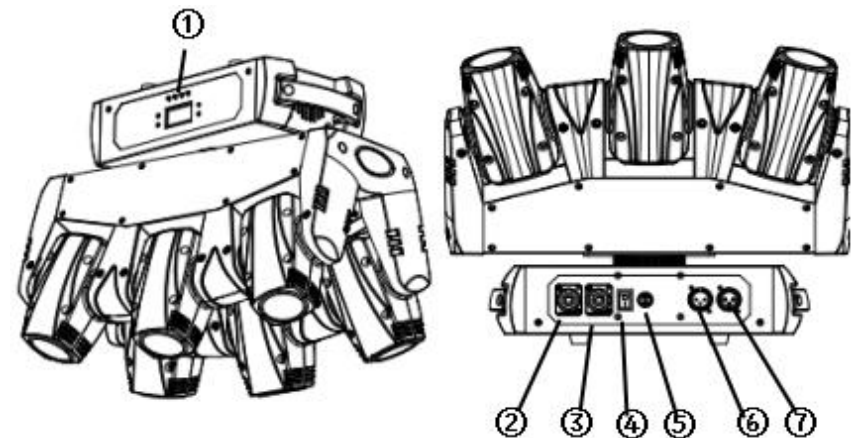
12. There are no components inside for maintenance. Before start operation the light, please check whether all of the shell is installed. In the case of the shell open used the light is prohibited.

Note: Under any installation, maintenance and clean the light, please confirm that has cut off the power cord!

Note: Under any installation, maintenance and clean the light, please confirm that has cut off the power cord!

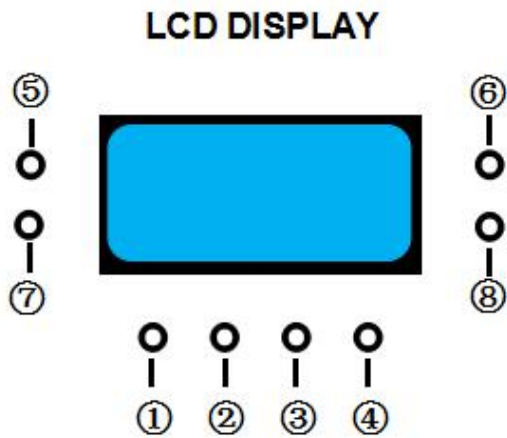


## II. Panel Device Functional Description



NO.	Function
1	Display
2	POWER IN
3	POWER OUT
4	On/Off
5	Fuse (F3AL250V)
6	DMX OUT
7	DMX IN

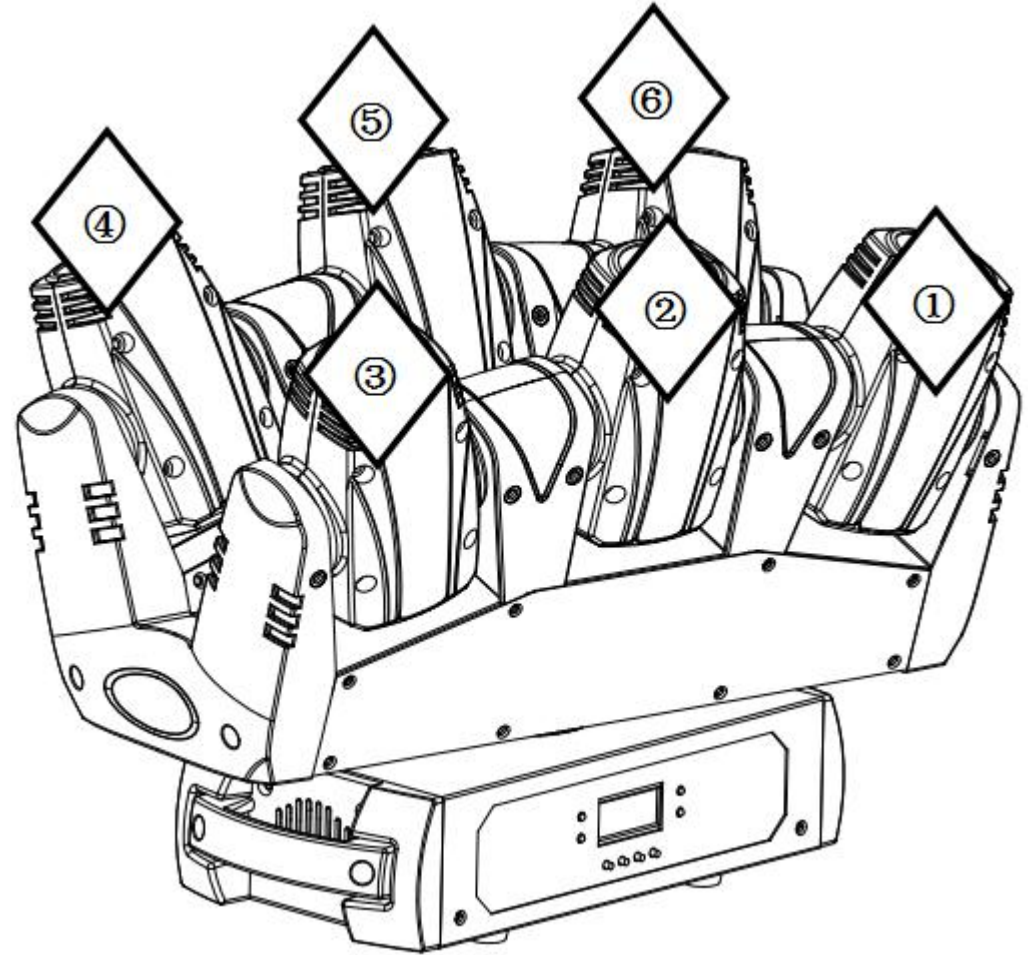
### III. LCD Display



Item	SQ	Display	Function	
<b>Button:</b>	①	MENU	Enter/check menu	
	②	△	Check the last menu	
	③	▽	Check the next menu	
	④	ENTER	Enter the menu or confirm	
<b>LED:</b>	⑤	DMX	Strobe	DMX in
	⑥	SLAVE	Strobe	Slave mode
	⑦	MASTER	Strobe	Master mode
	⑧	SOUND	Strobe	Sound mode

### X. Heads lighting sequence diagram

From ① to ⑥



### 30CH

Chan	Value		Function
1	000	- 255	X axis position
2	000	- 255	X axis fine tuning
3	000	- 255	X speed from fast to slow
4	000	- 001	No function
	002	- 255	Dimmer
5	000	- 255	Strobe,slow to fast
6	000	- 255	First led,Y axis position
7	000	- 255	First led,Y axis fine tuning
8	000	- 255	The motor speed of first led,fast to slow
9	000	- 255	First led color select
10	000	- 255	Second led,Y axis position
11	000	- 255	Second led,Y axis fine tuning
12	000	- 255	The motor speed of second led,fast to slow
13	000	- 255	Second led color select
14	000	- 255	Third led,Y axis position
15	000	- 255	Third led,Y axis fine tuning
16	000	- 255	The motor speed of third led,fast to slow
17	000	- 255	Third led color select
18	000	- 255	Fourth led,Y axis position
19	000	- 255	Fourth led,Y axis fine tuning
20	000	- 255	The motor speed of fourth led,fast to slow
21	000	- 255	Fourth led color select
22	000	- 255	Fifth led,Y axis position
23	000	- 255	Fifth led,Y axis fine tuning
24	000	- 255	The motor speed of fifth led,fast to slow
25	000	- 255	Fifth led color select
26	000	- 255	Sixth led,Y axis position
27	000	- 255	Sixth led,Y axis fine tuning
28	000	- 255	The motor speed of sixth led,fast to slow
29	000	- 255	Sixth led color select
30	000	- 199	No function
	200	- 209	Reset
	210	- 240	No function
	241	- 255	Sound control mode

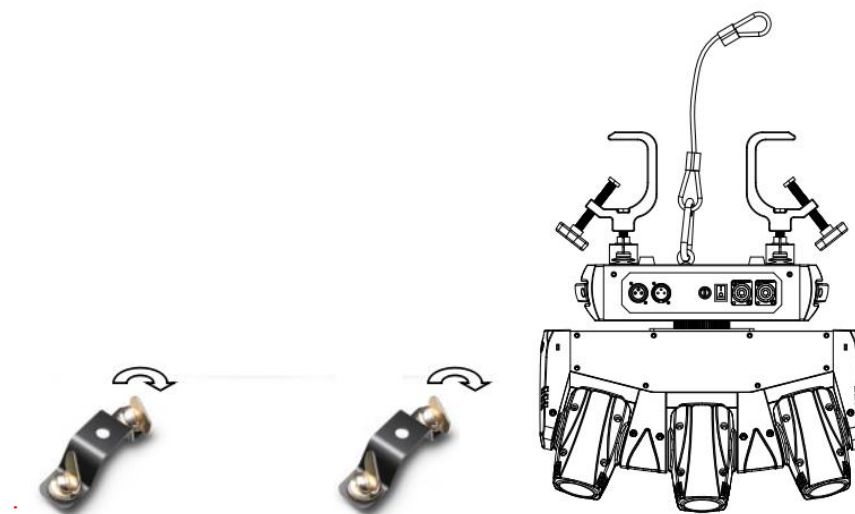
### IV. Hanging and installation

1. For more safety, please do not install product in walkways, seating areas...ect;
2. Before hanging the products, please make sure to the install point can withstand 10 times of the product weight;
3. This product must have installed double protection devices, such as safety rope;
4. When hanging, demolition or repair of this product, prohibited stood under the install point;
5. Make sure that the product should be installed at least 0.5 meters away from flammable materials;
6. Please remember to use a safety rope as a safety guarantee to prevent or handle lighting hook loose and accidents;
7. Before energized, be sure to complete all required hanging and installation steps;
8. installation instructions

The clamp fixed to handle, clamps can purchased from our factory. Noted that should strongly locking it, also need to do the double protection device, safety rope also can purchase from our company;

To fixed the handle to the machine, quick-lock clockwise to lock, counterclockwise to remove.

Related picture as below:



## V. Display main function :

System Settings		
A menu	B menu	Function
DMX Address	001-512	DMX512 address
Channel Mode	1/6/14/16/30CH	DMX channel
Slave Mode	Master	Master mode
	Slave1	Slave 1
	Slave2	Slave 2
Auto Run Mode	Auto 0	Auto run
	Auto 1-16	Auto mode 1-16
	Speed 1-9	Auto run speed 1-9
Show Mode	Show 0	Random show
	Show 1-16	Show mode 1-16
Sound State	On/Off	Sound on/off
Sound Sense	0-100	Sound sensitivity adjustment
Back Light	On/Off	Display on/off
Pan Inverse	No/Yes	X-axis position/opposite direction
Tilt Inverse	No/Yes	Y-axis position/opposite direction
Auto Test	Test	Auto test
Fixture Time	T 0-99999	Work time
Firmware Version	CPUA Ver 001	Software version
	CPUB Ver 001	
	CPUC Ver 001	
Reset	LED MT6XY-FC	Auto reset

## 14CH/16CH

14CH	16CH	Value		Function	
	1	000	-	001	No function
		002	-	255	Full dimmer,R dimmer,0-100%
	2	000	-	255	Strobe, slow to fast
1	3	000	-	255	X axis position
2	4	000	-	255	X speed ,fast to slow
3	5	000	-	255	First led, Y axis position
4	6	000	-	007	No function
		008	-	024	R
		025	-	041	G
		042	-	057	B
		058	-	074	W
		075	-	090	R+G
		091	-	107	R+B
		108	-	123	R+W
		124	-	140	G+B
		141	-	156	G+W
		157	-	173	B+W
		174	-	189	R+G+B
		190	-	206	R+G+W
		207	-	222	R+B+W
223	-	239	G+B+W		
240	-	255	R+G+B+W		
5	7	000	-	255	Second led, Y axis position
6	8	000	-	255	Second led, LED color select
7	9	000	-	255	Third led, Y axis position
8	10	000	-	255	Third led, LED color select
9	11	000	-	255	Fourth led, Y axis position
10	12	000	-	255	Fourth led, LED color select
11	13	000	-	255	Fifth led, Y axis position
12	14	000	-	255	Fifth led, LED color select
13	15	000	-	255	Sixth led, Y axis position
14	16	000	-	255	Sixth led, LED color select

## IX. Channel (Choose address code)

### 1CH/6CH

1CH	6CH	Value			Function
	1	000	-	001	No function
		002	-	255	Full dimmer,R dimmer,0-100%
	2	000	-	255	Strobe, slow to fast
1	3	000	-	007	No function
		008	-	022	Show mode01
		023	-	037	Show mode02
		038	-	052	Show mode03
		053	-	067	Show mode04
		068	-	082	Show mode05
		083	-	097	Show mode06
		098	-	112	Show mode07
		113	-	127	Show mode08
		128	-	142	Show mode09
		143	-	157	Show mode10
		158	-	172	Show mode11
		173	-	187	Show mode12
		188	-	202	Show mode13
		203	-	217	Show mode14
		218	-	232	Show mode15
233	-	247	Show mode16		
248	-	255	Sound mode		
	4	000	-	255	Show mode speed adjustment,slow to fast
	5	000	-	000	No function
		001	-	015	Static LED color change
		016	-	255	Color chase
	6	000	-	255	Color chase,slow to fast

### Static LED color change

001	R	006	R+B	011	R+G+B
002	G	007	R+W	012	R+G+W
003	B	008	G+B	013	R+B+W
004	W	009	G+W	014	G+B+W
005	R+G	010	B+W	015	R+G+B+W

## VI. Display instruction

### 1. DMX Address

Press **MENU** button to “**DMX Address**”,press **ENTER** button.Use  $\Delta/\nabla$  to check starting address , After choose press **ENTER** to keep, wait 10seconds or press **MENU** long time to return to main menu.

### 2. Channel Mode

Press **MENU** button to “**Channel Mode**”, press **ENTER** button. DMX channel1/6/14/16/30CH optional, After choose press **ENTER** to keep, wait 10seconds or press **MENU** long time to return to main menu.

### 3. Slave Mode

Press **MENU** button to“**Slave Mode**”, press **ENTER** button. **Master** or **lave1** (slave 1) or **Slave2** (slave 2) .After choose press **ENTER** to keep, wait 10seconds or press **MENU** long time to return to main menu.

### 4. Auto Run Mode

Press **MENU** button to“**Auto Run Mode**”, press **ENTER** button. Use  $\Delta/\nabla$  to select“**Auto 0**” (auto sun) or “**Auto 1-16**” (auto mode 1-16 optional) , “**Auto 0-16**” speed adjustable , “**Speed 1-9**” speed slow to fast. After choose press **ENTER** to keep, wait 10seconds or press **MENU** long time to return to main menu.

### 5. Show Mode

Press **MENU** button to “**Show Mode**”, press **ENTER** button. Use  $\Delta/\nabla$  to select “**Show 0**” (random show) or “**Show 1-16**” (show 1-16 optional). After choose press **ENTER** to keep, wait 10seconds or press **MENU** long time to return to main menu.

### 6. Sound State

Press **MENU** button to “**Sound State**”, press **ENTER** button. Use  $\Delta/\nabla$  to select **On** (sound on)/**Off** (sound off). After choose press **ENTER** to keep, wait 10seconds or press **MENU** long time to return to main menu.

### 7. Sound Sense

Press **MENU** button to “**Sound Sense**”, press **ENTER** button. Use  $\Delta/\nabla$  to control sound sensitivity from “0” to “100”. After choose press **ENTER** to keep, wait 10seconds or press **MENU** long time to return to main menu.

### 8. Back Light

Press **MENU** button to“**Back Light**”, press **ENTER** button.Use  $\Delta/\nabla$  to select “**On**”(display on) or “**Off**”(display off) mode. After choose press **ENTER** to keep, wait 10seconds or press **MENU** long time to return to main menu.

### 9. Pan Inverse

Press **MENU** button to “**Pan Inverse**”, press **ENTER** button. Use  $\Delta/\nabla$  to select “**No**”(X position) or “**Yes**” (X opposite position) mode. After choose press **ENTER** to keep, wait 10seconds or press **MENU** long time to return to main menu.

### 10. Tilt Inverse

Press **MENU** button to “**Tilt Inverse**”, press **ENTER** button. Use  $\Delta/\nabla$  to select “**No**” (Y position) or “**Yes**”(Y opposite position) mode. After choose press **ENTER** to keep, wait 10seconds or press **MENU** long time to return to main menu.

### 11. Auto Test

Press **MENU** button to “**Auto Test**”, press **ENTER** button, display strobe, product will begin build-in auto test, press **MENU** long time to return to main menu.

### 12. Fixture Time

Press **MENU** button to “**Fixture Time**”, press **ENTER** button, display will show product working time, press **MENU** long time to return to main menu.

### 13. Firmware Version

Press **MENU** button to “**Firmware Version**”, press **ENTER** button, display will show product CPU version, latest version is V1.1, press **MENU** long time to return to main menu.

### 14. Reset

Press **MENU** button to “**Reset**”, press **ENTER** button, program will auto reset.

## VII.How to operation

1. Master/slave mode to control.
2. DMX controller

### a.Master/slave mode function

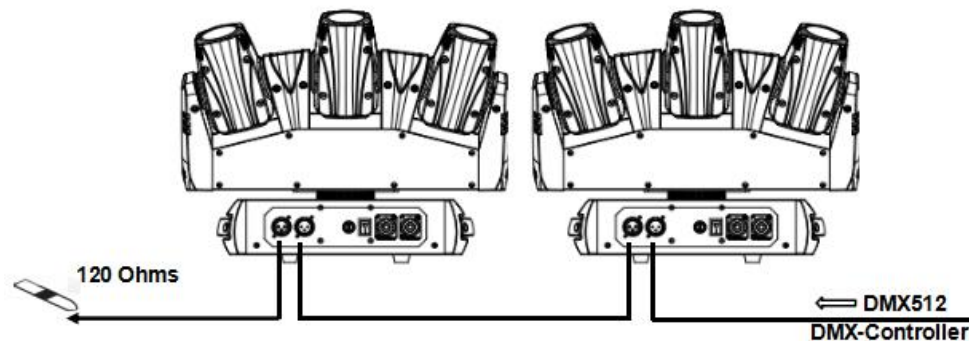
Products can identify master/slave function, customer also can manual choose.

## VIII.DMX Controller

If control by DMX controller, then you need to set the address code to control the light, the address code value is 1-512, the light could receive the signal accordingly.

Press **MENU** button, select **Address** menu, press **ENTER** button, address will strobe. Use  $\Delta/\nabla$  to select DMX512 address, our factory value set as “**Address 001**”. After setting dmx address, press **ENTER** button.

Connect the DMX512 console output port to the first slave device DMX input, and connect the first slave device DMX output signal to the second slave device DMX input signal, untill all slave connections are complete.



### DMX-512 connection need a termination (circuit connection)

During the installation, if the signal line is too long, or in relatively noisy electrical environments, such as dance halls, we recommend using DMX terminator (circuit connection). It can avoided the control signal turbidity due to electrical noise. DMX terminal is connected by a simple XLR head (2-pin and 3-pin) connecting a 120Ω resistor, please set the terminal into the final device output port, please refer to the diagram.

