

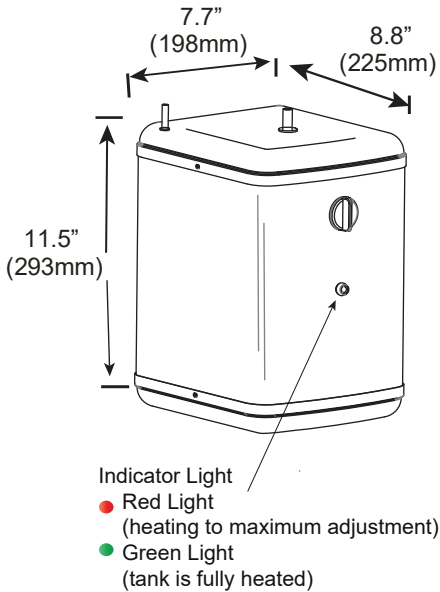
# American Standard

## Instant Hot Water Dispenser

### Model# ASH-210

- STAINLESS STEEL HOUSING
- STAINLESS STEEL HEATER ELEMENT
- STAINLESS STEEL INLET, AND OUTLET TUBES
- COMPATIBLE WITH RO SYSTEM

## Dimensions



#### INSTALLATION:

Easy to install quick-connect fittings and convenient connections reduce probability of kinked or twisted water lines.

#### CONSISTENT PERFORMANCE:

1300 WATT HEATING allows fast recovery time. A large 2.5 quarts (2.4L) reservoir delivers a generous 60+ cups per hour capacity.

#### RELIABLE PERFORMANCE:

Due to the high temperature of the water, the tank is not under pressure. Our self-contained expansion chamber reduces dripping.

#### FINGERTIP ADJUSTMENT:

200°F (93°C) hot water at your fingertips adjusts from 140°F (60°C) to 200°F (93°C). Great for cooking, instant coffee, tea or use in a wet bar.

#### AUTOMATED HEATER PROTECTION:

Self re-setting thermal fuse protects the product in the event of a dry start up.

#### ENERGY EFFICIENT:

Uses less electricity than a 40 watt light bulb. Comes with installed power cord.

#### WARRANTY:

3 Year Canada and USA

## Specifications

Watts	1300
Voltage	120V / 220V
Current-Amps	10.8 / 5.9
Hz	50/60Hz
Tank	Insulated stainless steel
Capacity	2.5 Quarts (2.4L) 60+ Cups Per Hour
Temperature Range	Adjustable from 140°F (60°C) to 200°F (93°C)
Outside Case	Stainless steel
Drain Plug	Removable
Faucet	Open vent faucet required (Supplied Separately)
WaterConnections	Quick connect
Weight	1 ASH-210 w/o faucet Shipping 12 lbs. (5.45 Kg)

Due to continued product improvement, system configurations and specifications may change without notice.

Customer Service  
 Servicio al Cliente  
 1-833-776-0014  
 Monday- Friday 8:00am-5:00pm PST  
 English & Spanish  
 Lunes a Viernes 8:00-17:00 PST Inglés y Español

©2021 Joneca Company, LLC, All Rights Reserved

SP-ASH-210-211



Designer Faucets Available. Sold Separately.