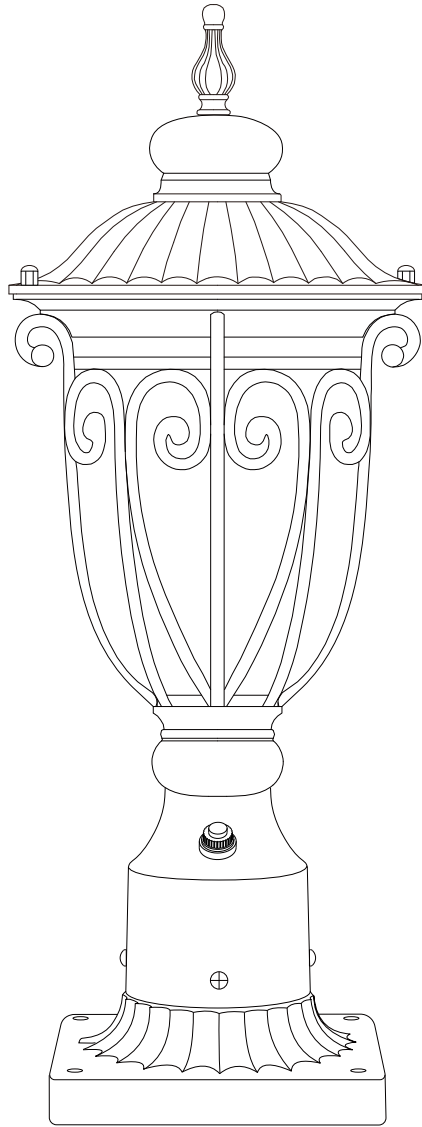
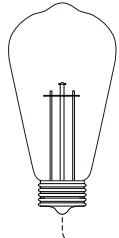


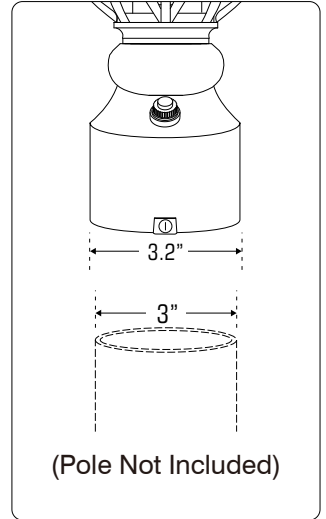
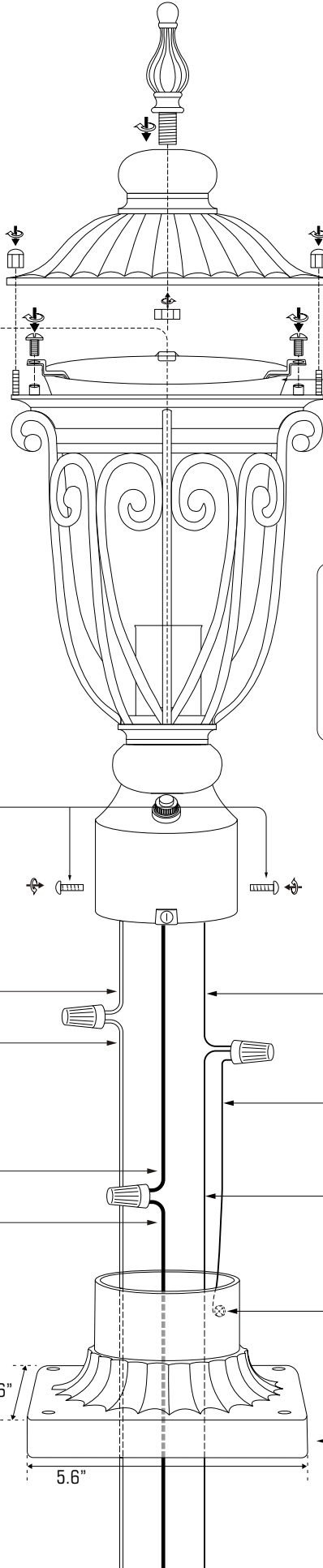
OUTDOOR POST LIGHTS USE AND CARE GUIDE



INSTALLATION INSTRUCTIONS FOR POST LIGHT WITH PHOTOCELL



E26 Max. 100W
(Bulbs not included)



⚠ Installation Safety Reminder

For your safety, please wear protective gloves during installation to prevent cuts. This product contains glass parts, so prioritizing safety is essential. Thank you for understanding and cooperating.

⚠ Do not over-tighten screws

The screws have been extended to accommodate posts of different widths. Over-tightening the screws may cause the product to break.

Fixture White Wire •
↔ Connect
Supply White Wire •

Fixture Black Wire •
↔ Connect
Supply Black or Red Wire •

• Fixture Ground Wire

• Base Ground Wire

• House Supply Ground Wire

• Ground Screw

• Pier Mount Base

TYPE					
QTY	3pcs	8pcs	2 pcs	4 pcs	3 pcs

5.6"

5.6"

ASSEMBLY INSTRUCTIONS



INSTRUCTIONS PERTAINING TO RISK OF FIRE OR INJURY TO PERSONS
READ ALL INSTRUCTIONS

**IMPORTANT SAFETY
INSTRUCTIONS**
SAVE THESE INSTRUCTIONS

Before starting the installation, disconnect the Power by Turning Off the Circuit Breaker. Turning the Power Off using the LightSwitch is not sufficient to prevent electrical shock. All electrical connections and installation must be following local codes, ordinances, and/or National Electric Code and Must Be Done by an Electrician Only.

3 YEAR LIMITED WARRANTY*

This is warranted against defects in material and quality for 3 year from the purchase date.

This warranty does not cover acts of nature such as lightning damage or corrosion and discoloration of components. Nor does it cover damages caused through abuse, improper installation, surges in electric current, or acts of third parties.

This warranty does not cover the costs of removing and resealing the lighting fixture.

If this product falls for any reason covered by this warranty, feel free to contact us.

TOOLS AND MATERIALS REQUIRED:



Phillips
Screwdriver



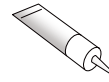
Wire Cutters



Pliers



Ladder



Mastic Silicone
Rubber



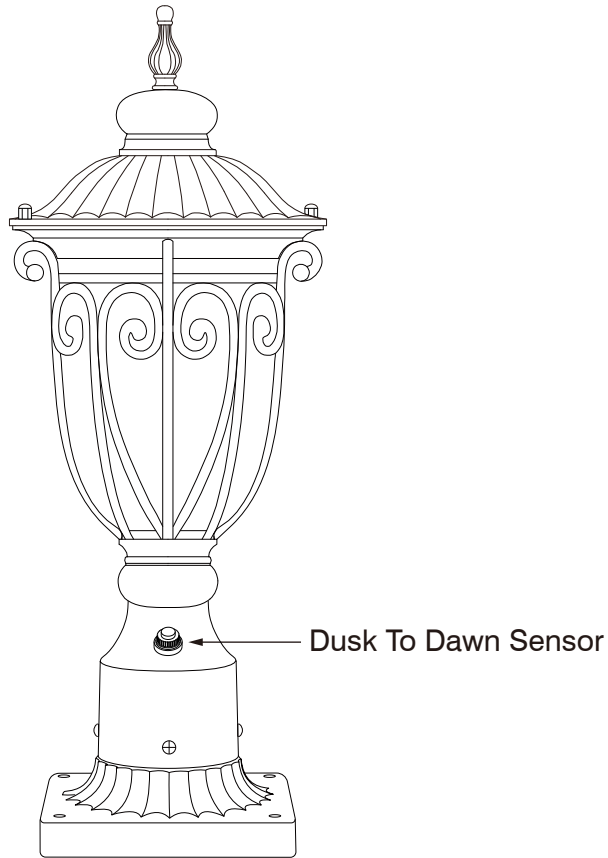
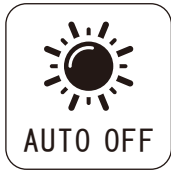
Safety Glasses

INSTALLATION STEPS

Before starting the installation, disconnect the Power by Turning Off the Circuit Breaker. Turning the Power Off using the LightSwitch is not sufficient to prevent electrical shock. All electrical connections and installation must be following local codes, ordinances, and/or National Electric Code and Must Be Done by an Electrician Only.

1. Place the base on top of the post and position as required.
2. Use an electric drill to make 4 holes in the desired surface, place the provided set screws into holes, place the base in line with the holes, and screw mounting screws.
3. Pull the power supply wires out from the post and the fixture wires out from the fixture body to allow connection of Black, White, and ground lead to appropriate supply leads, using approved wire connectors.
4. Secure the fixture body to the post using the wood screws provided.
5. Install a light bulb. The bulb must not exceed the wattage specified on the fixture label(E26 100W Max.).
6. Use the lock screw screwing the top cover fixture body.
7. Turn on the power.

DUSK TO DAWN SENSOR



DUSK TO DAWN SENSOR

The sensor can turn on and off the lamp according to the ambient light. When the light is dark, such as at night (5-60Lux Outdoor natural light), the lamp will automatically turn on, and when the surrounding environment is bright, such as after dawn, the lamp will automatically turn off.

So you don't have to manually turn on or off the lights, you can keep the switch always on, and automatically turn on and off every day, saving your electricity bills.

If you want to disable this feature, cover the sensor with dark tape.

PRODUCT DETAILS

Glass Type:	Seed Glass
Housing Material:	Aluminum
Input Power:	Hard-wired 120VAC
Maximum Wattage:	100W
Bulb Base:	E26
Waterproof Rating:	Wet Location
Sensor Type:	Dusk to Dawn Sensor