

TABLE OF CONTENTS

01	Important Safety Instructions	01	Tools Needed
----	-------------------------------	----	--------------

02	Parts List	03	Assembly
----	------------	----	----------

14	Warranty Information		
----	----------------------	--	--

IMPORTANT SAFETY INSTRUCTIONS

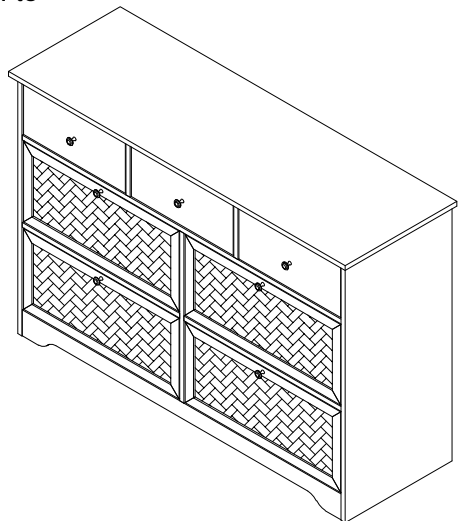
- Check if all the parts are complete before installation.
- Read through the instructions before installing the cabinet.
- Keep the small parts away from children to avoid the risk of swallowing.

TOOLS NEEDED

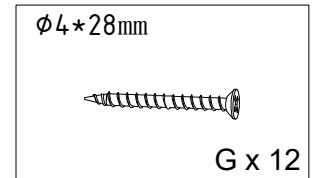
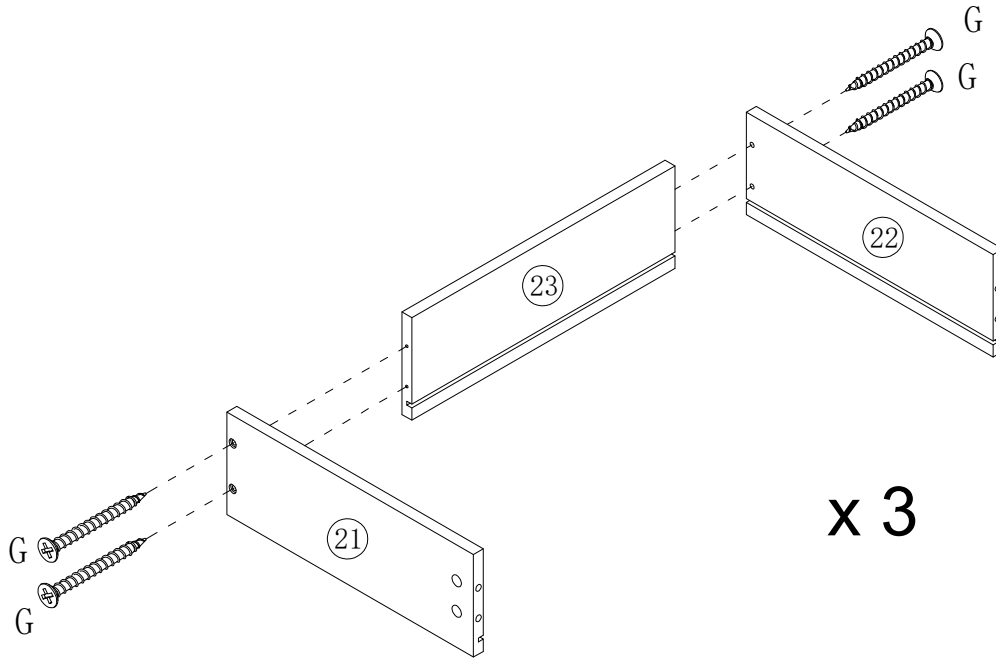
Screws Driver -1PC



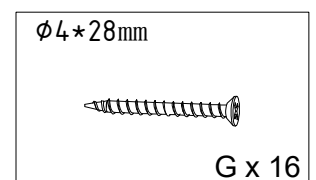
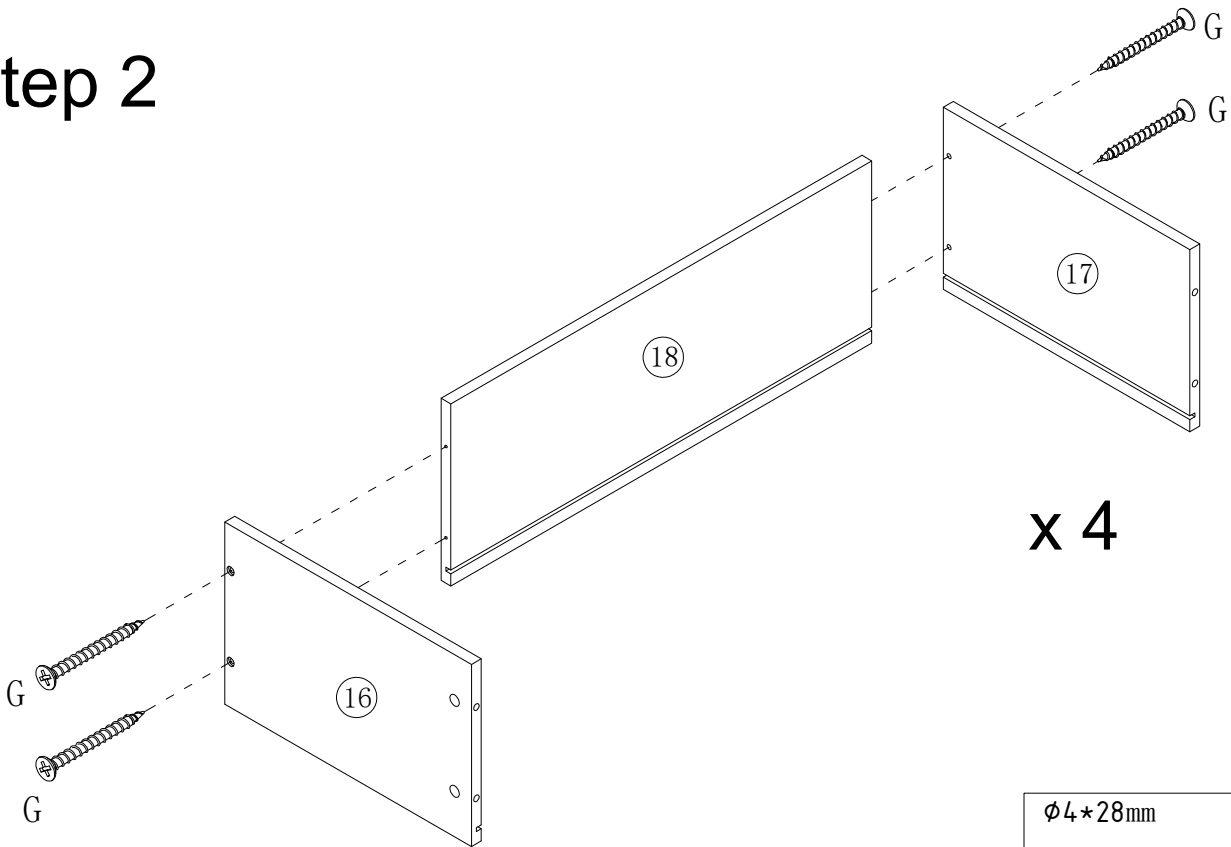
(Not included)



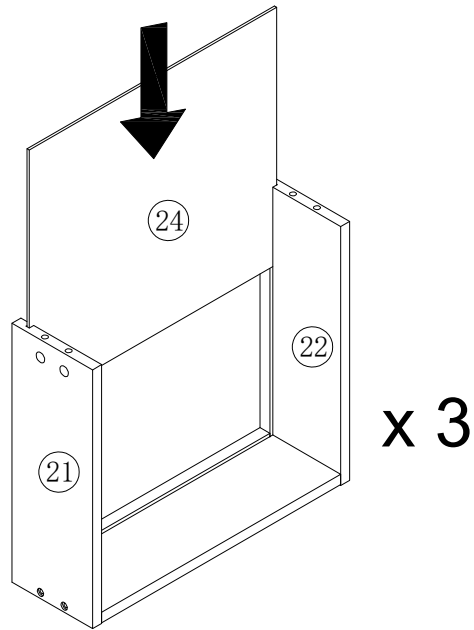
Step 1



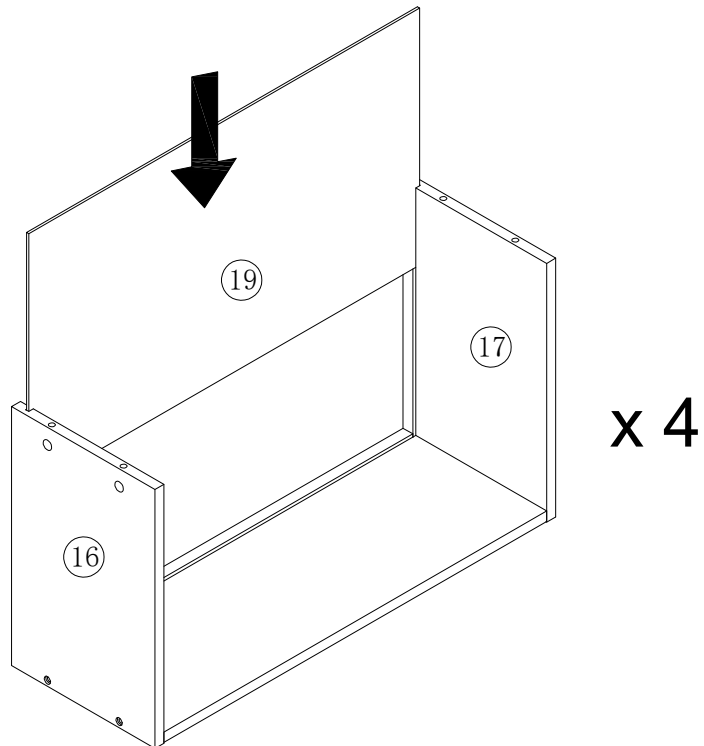
Step 2



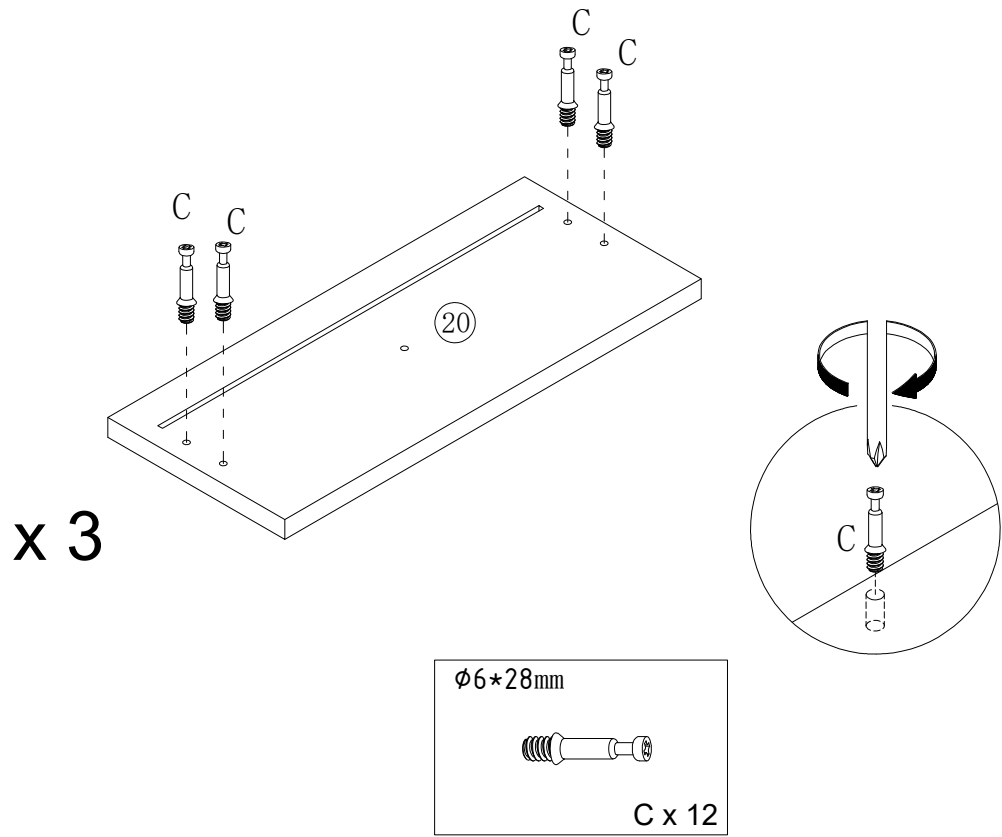
Step 3



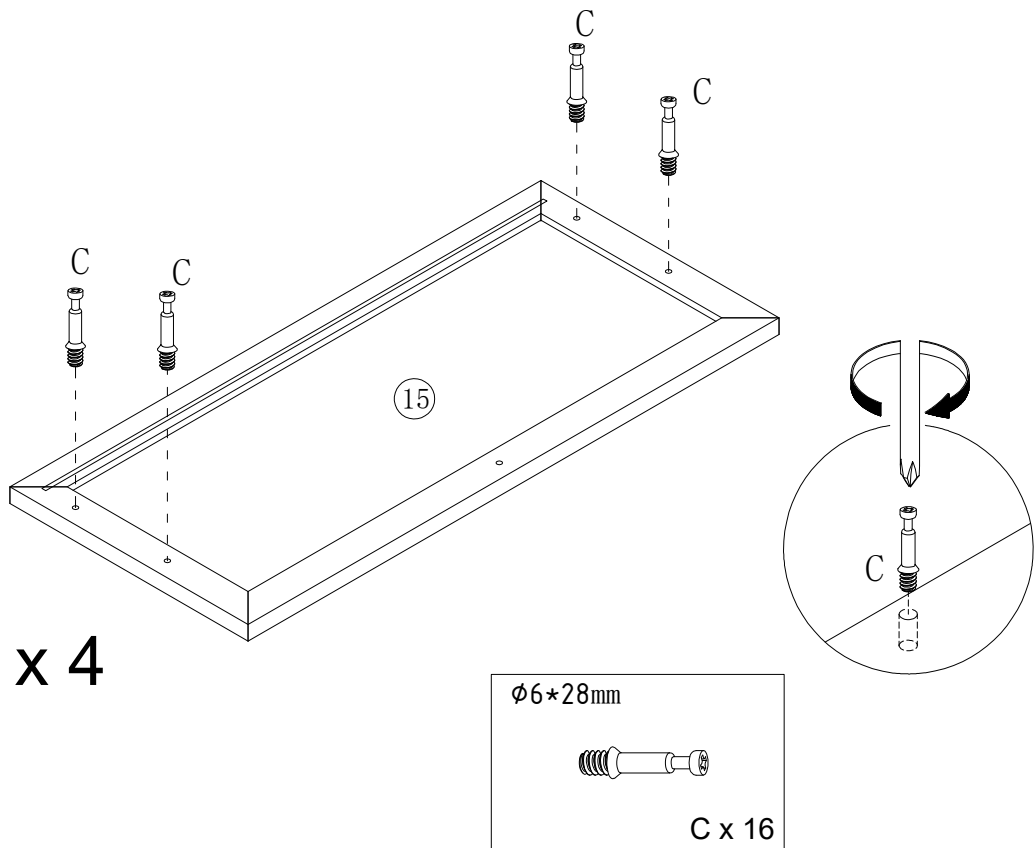
Step 4



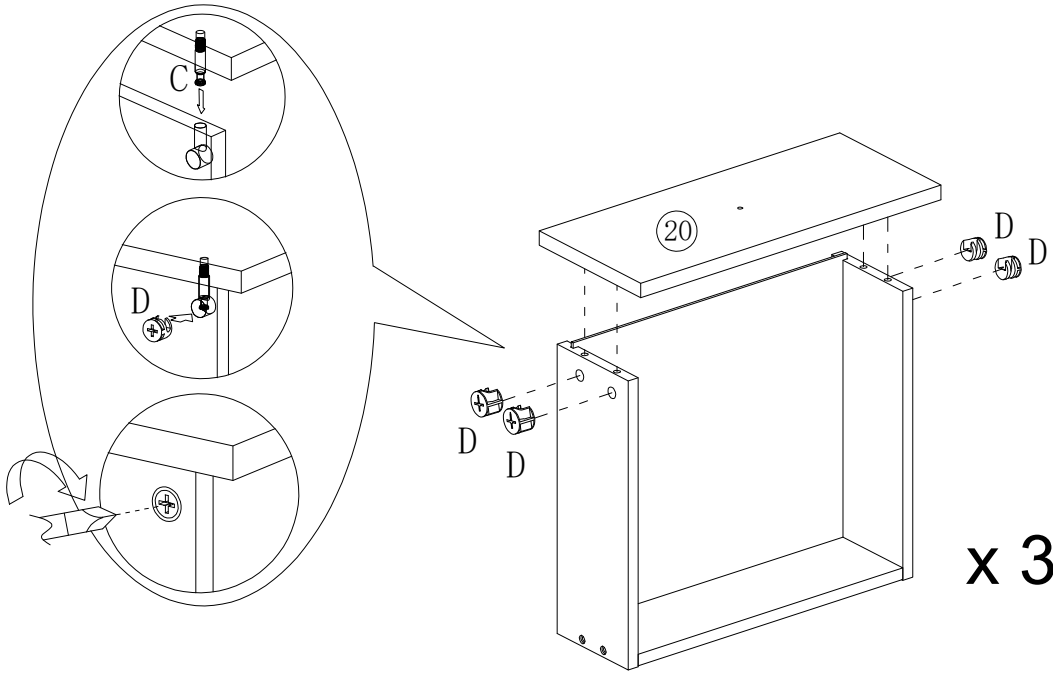
Step 5



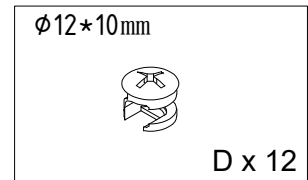
Step 6



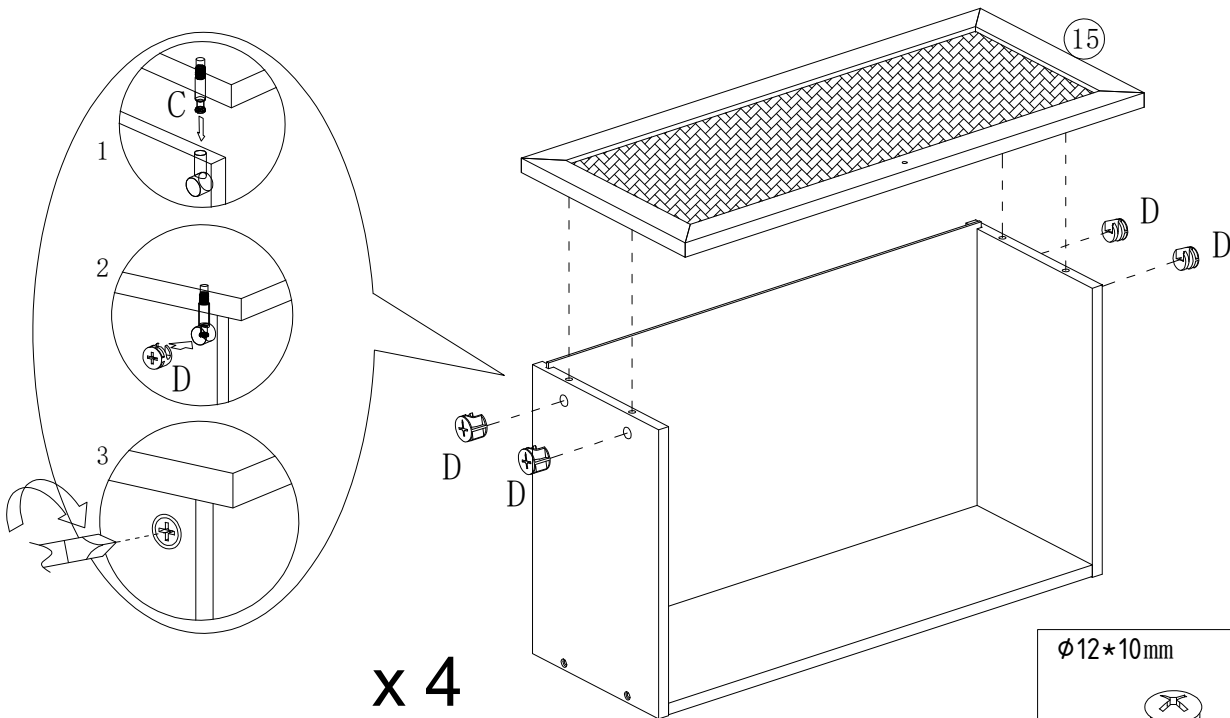
Step 7



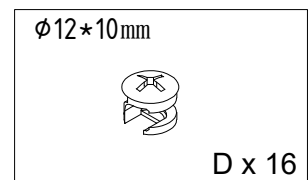
x 3



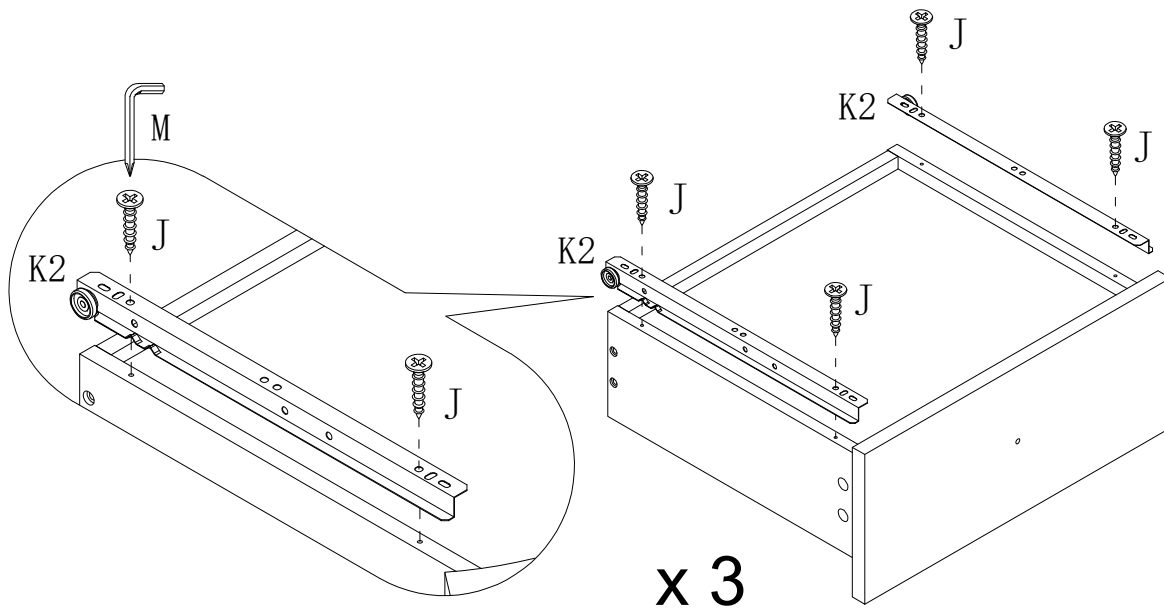
Step 8

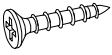
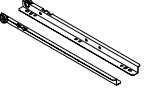


x 4

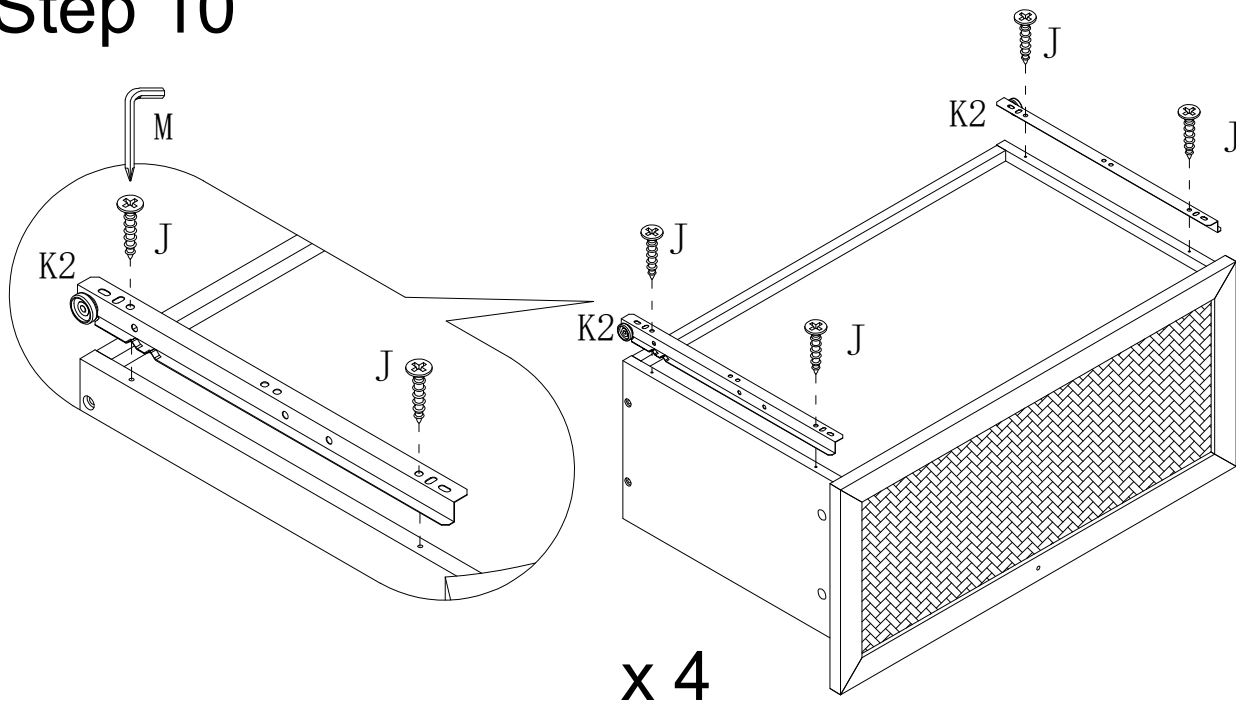


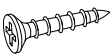
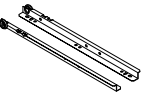
Step 9



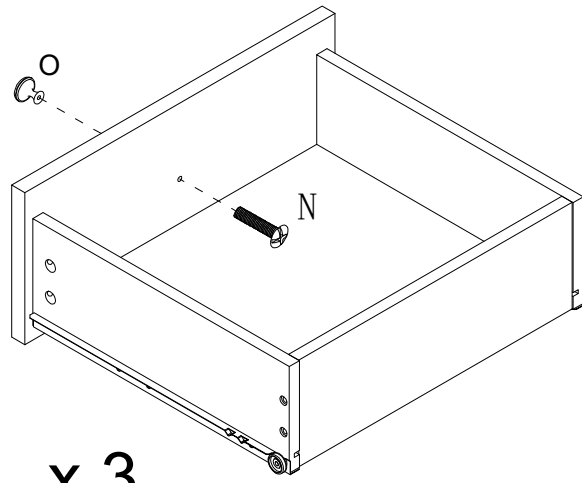
$\phi 3.5 \times 12 \text{mm}$  J x 12	L=300mm  K2 x 3
---	---

Step 10

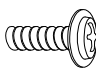



$\phi 3.5 \times 12 \text{mm}$  J x 16	L=300mm  K2 x 4
--	--

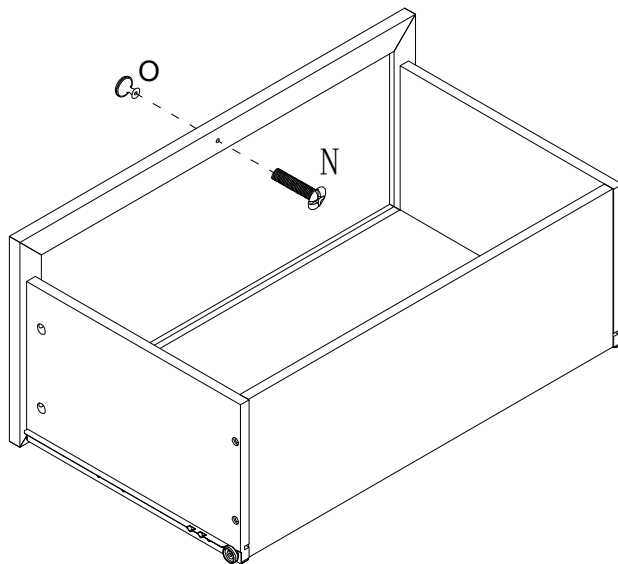
Step 11



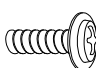

x 3

m4*20mm  N x 3	 O x 3
---	--

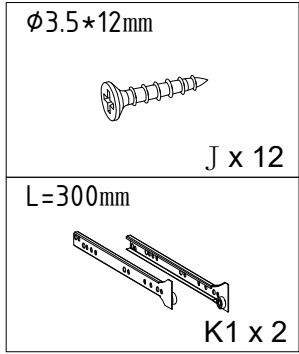
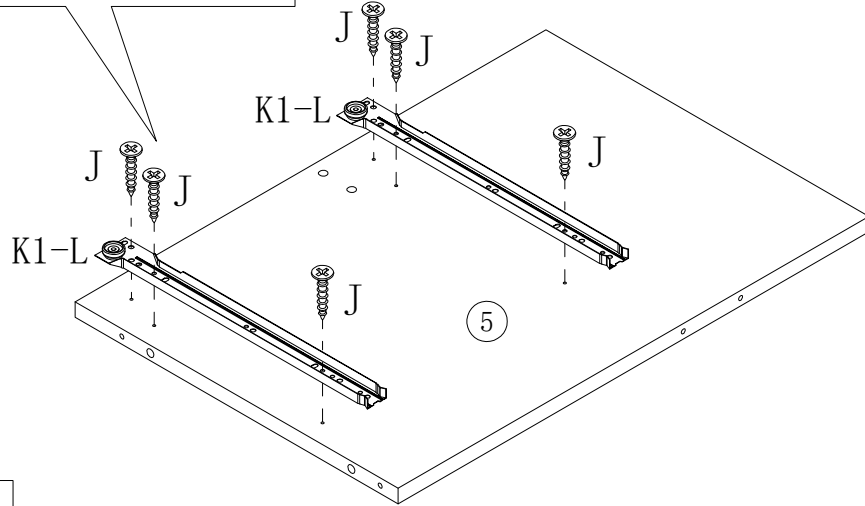
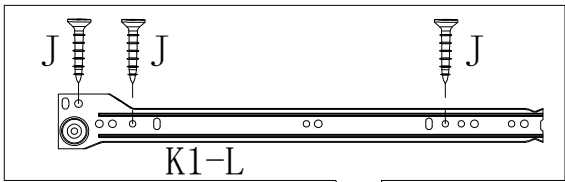
Step 12



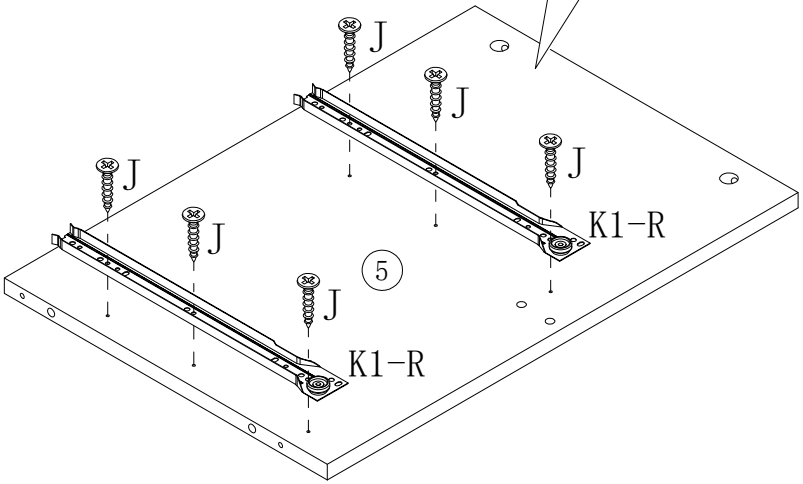
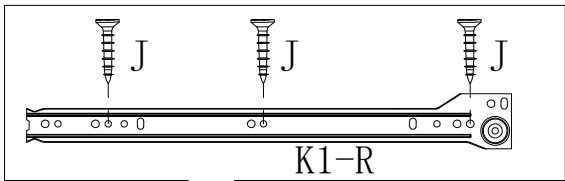
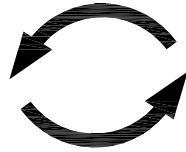
x 4

m4*20mm  N x 4	 O x 4
---	--

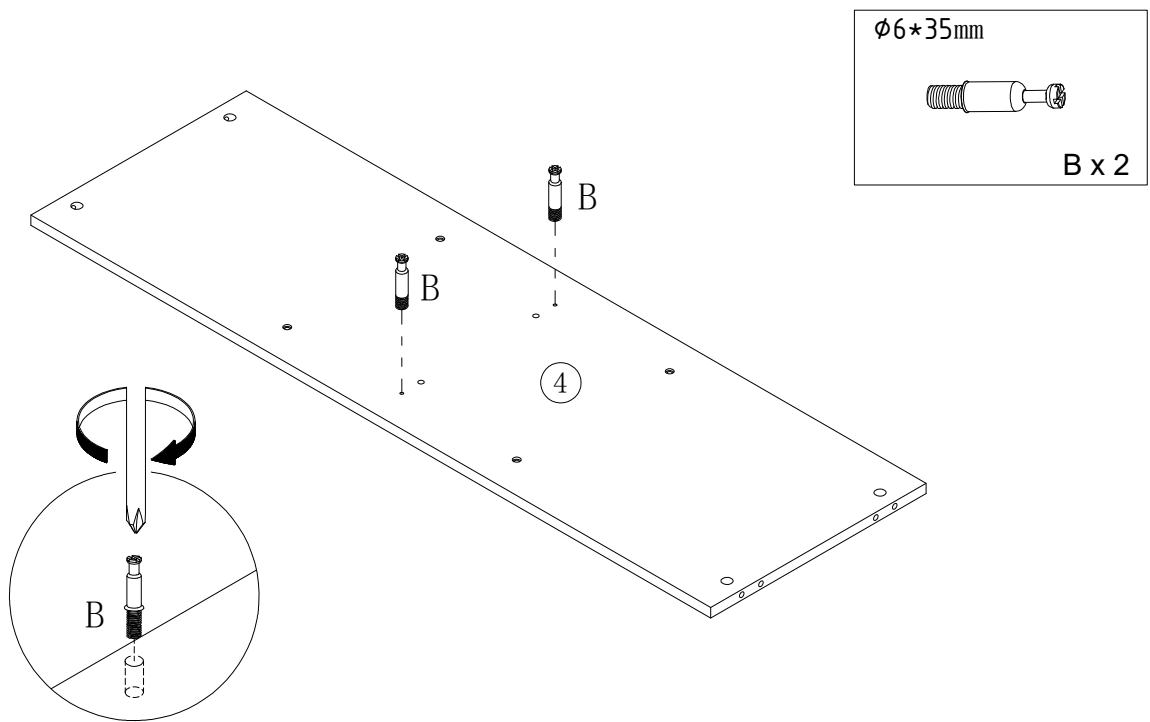
Step 13



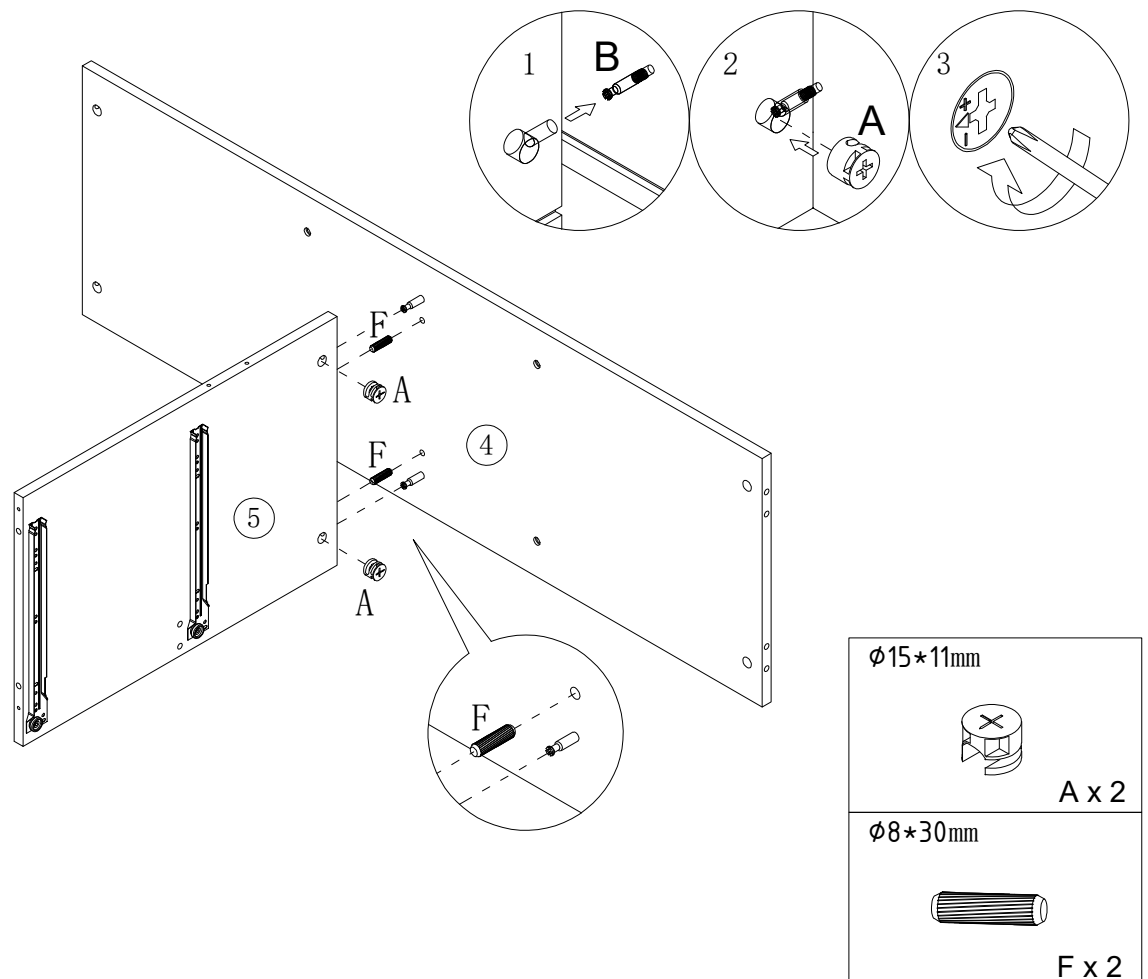
Please flip to the other side of the board.



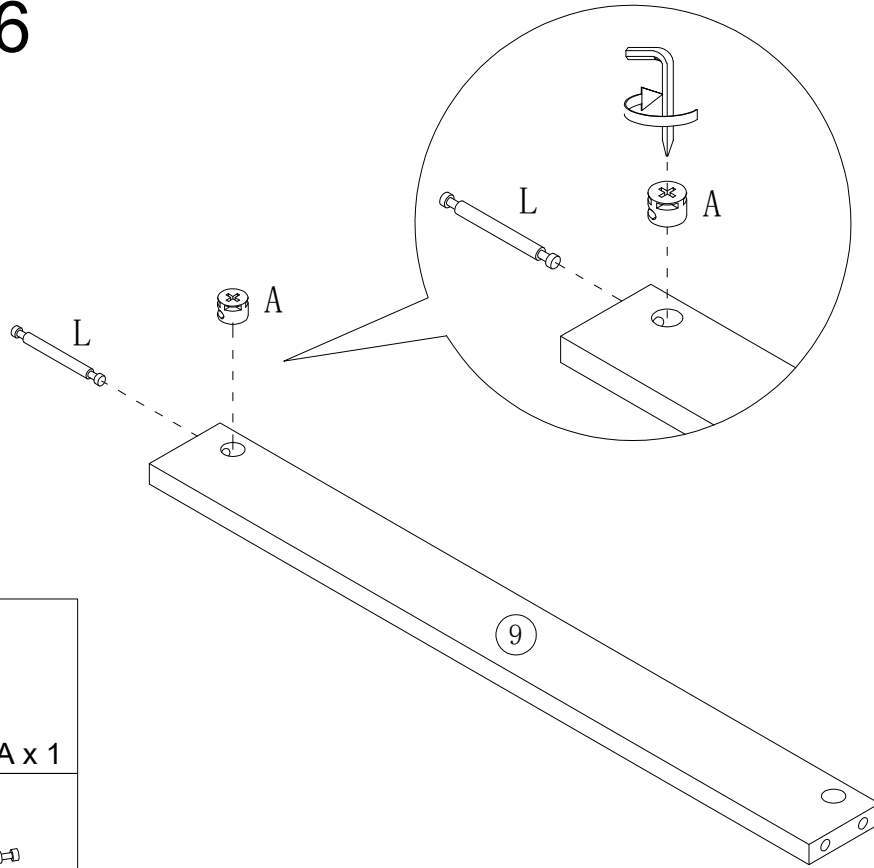
Step 14





Step 15

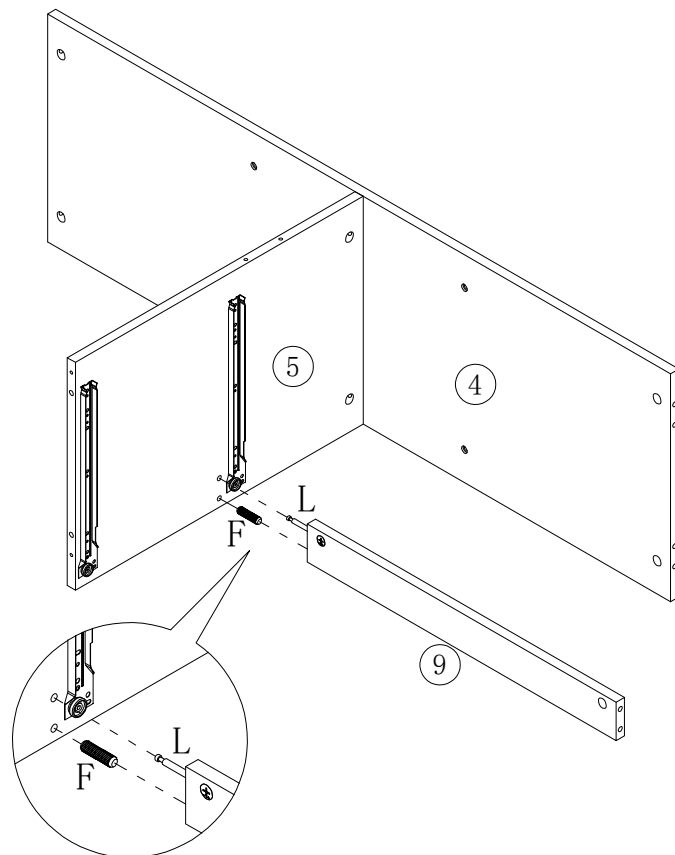



Step 16



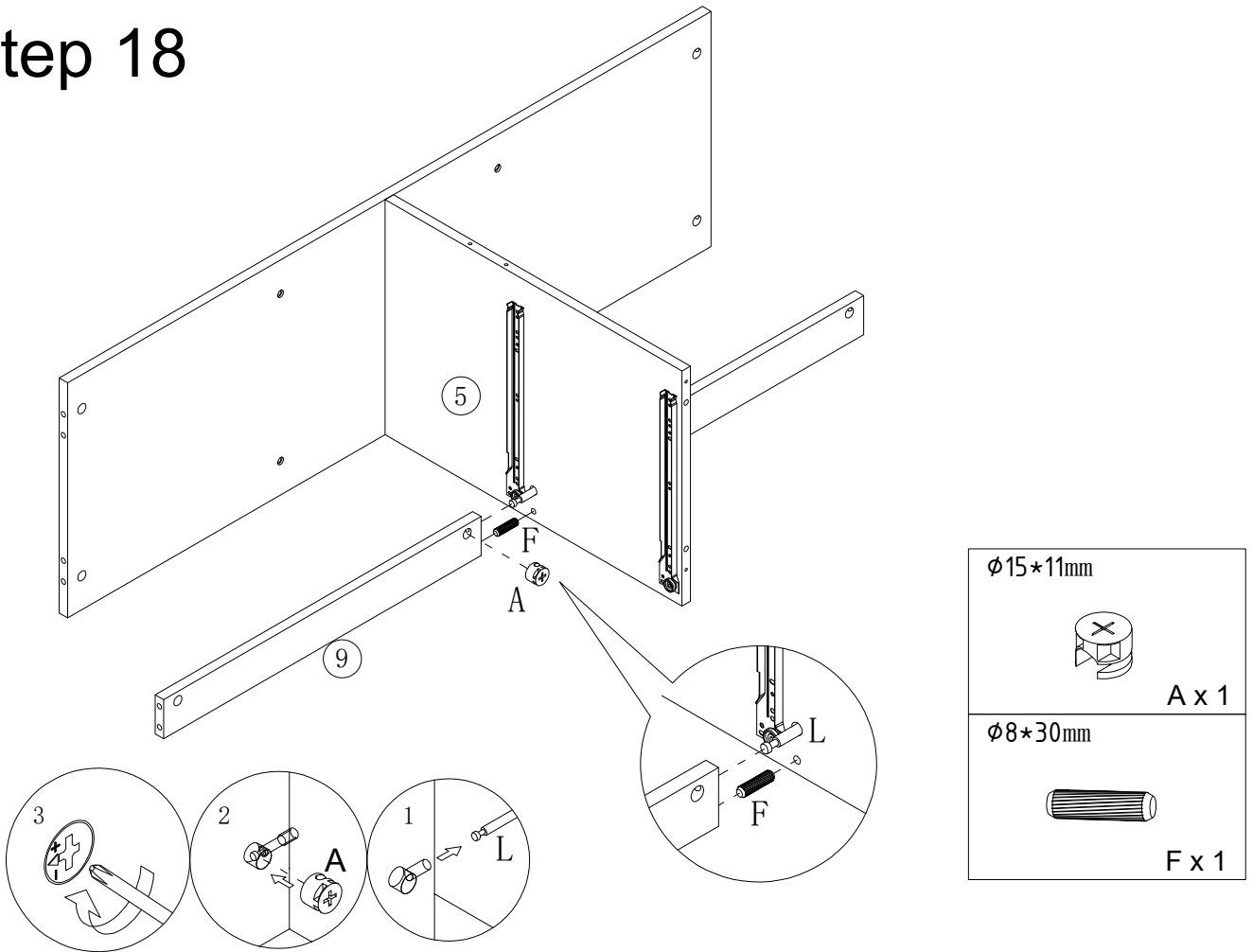
$\phi 15 \times 11 \text{mm}$

A x 1
$\phi 6 \times 64 \text{mm}$

L x 1

Step 17

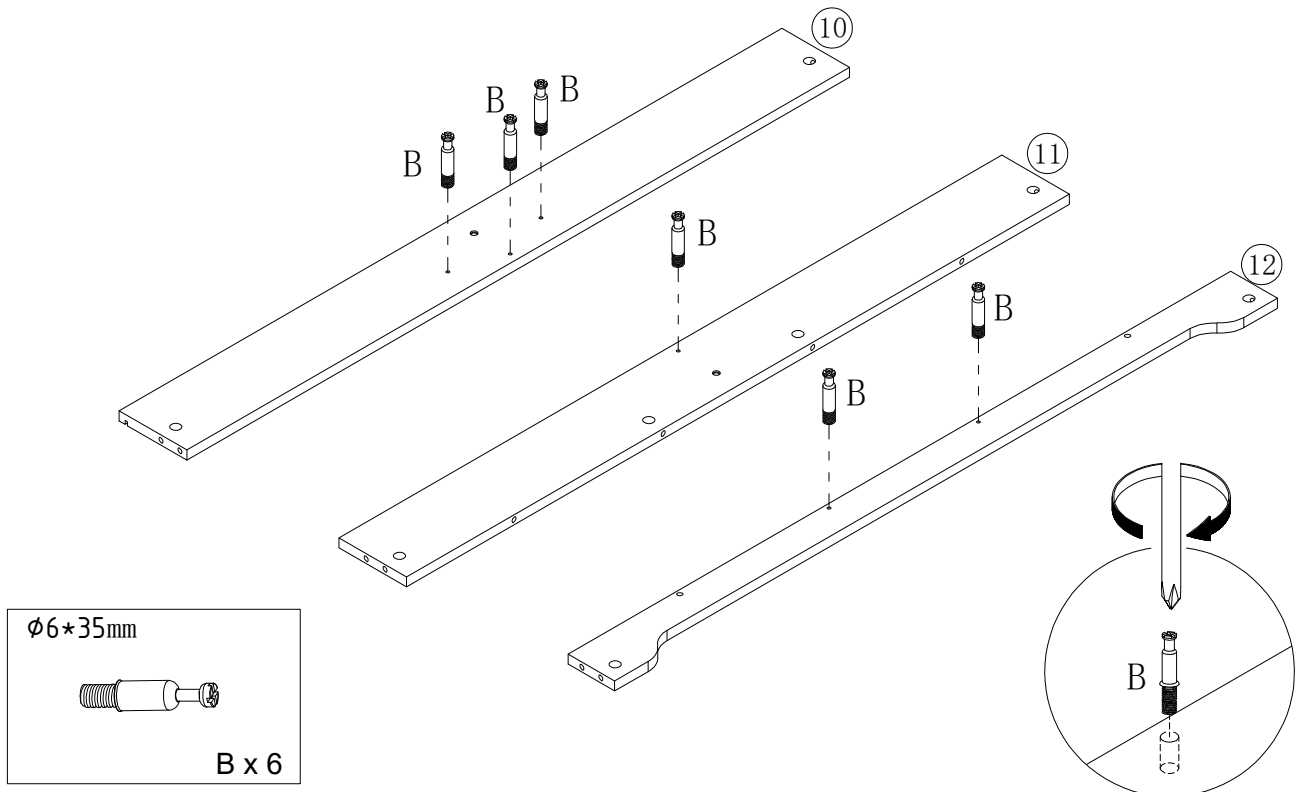


$\phi 8 \times 30 \text{mm}$

F x 1

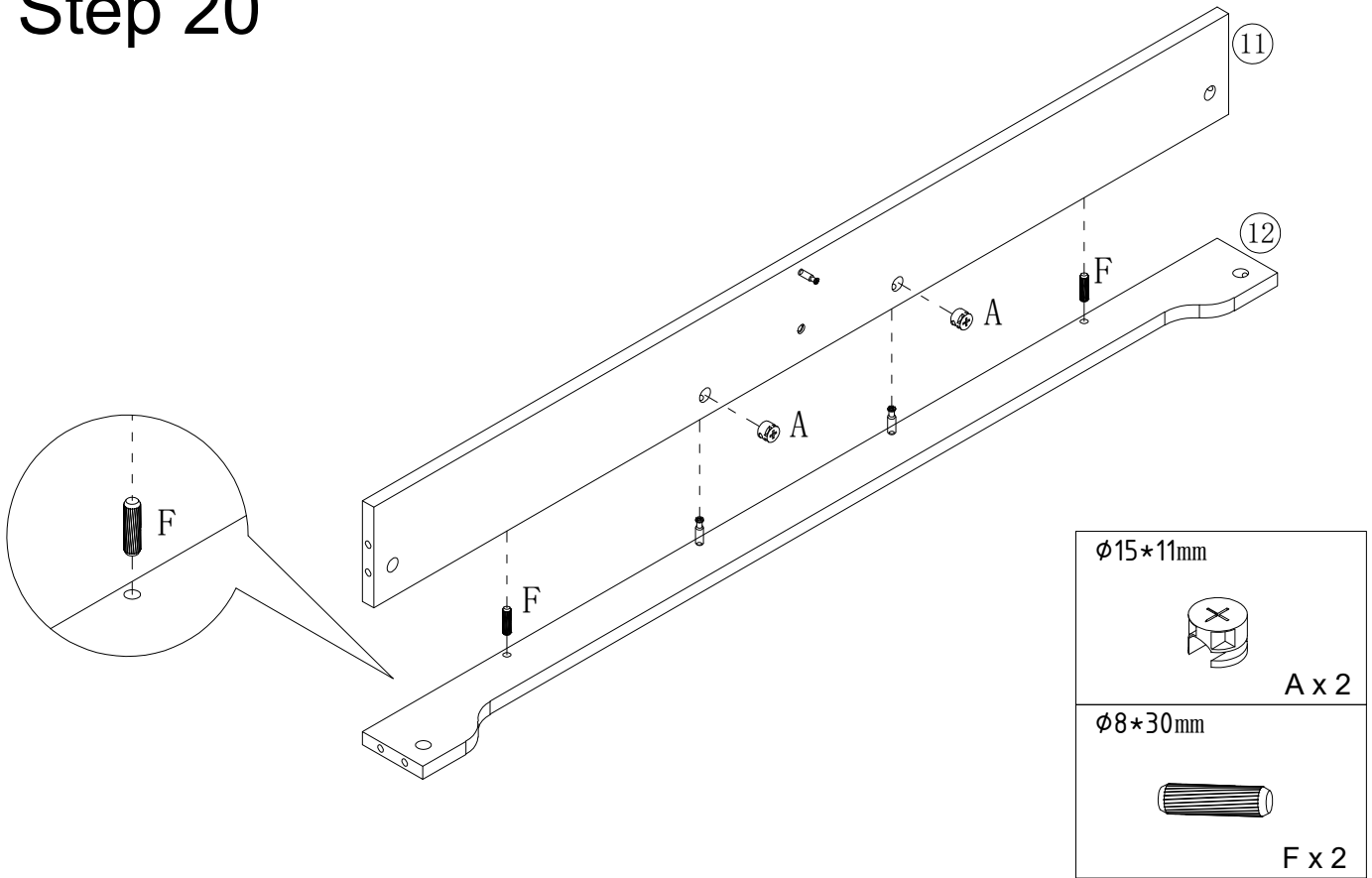
Step 18



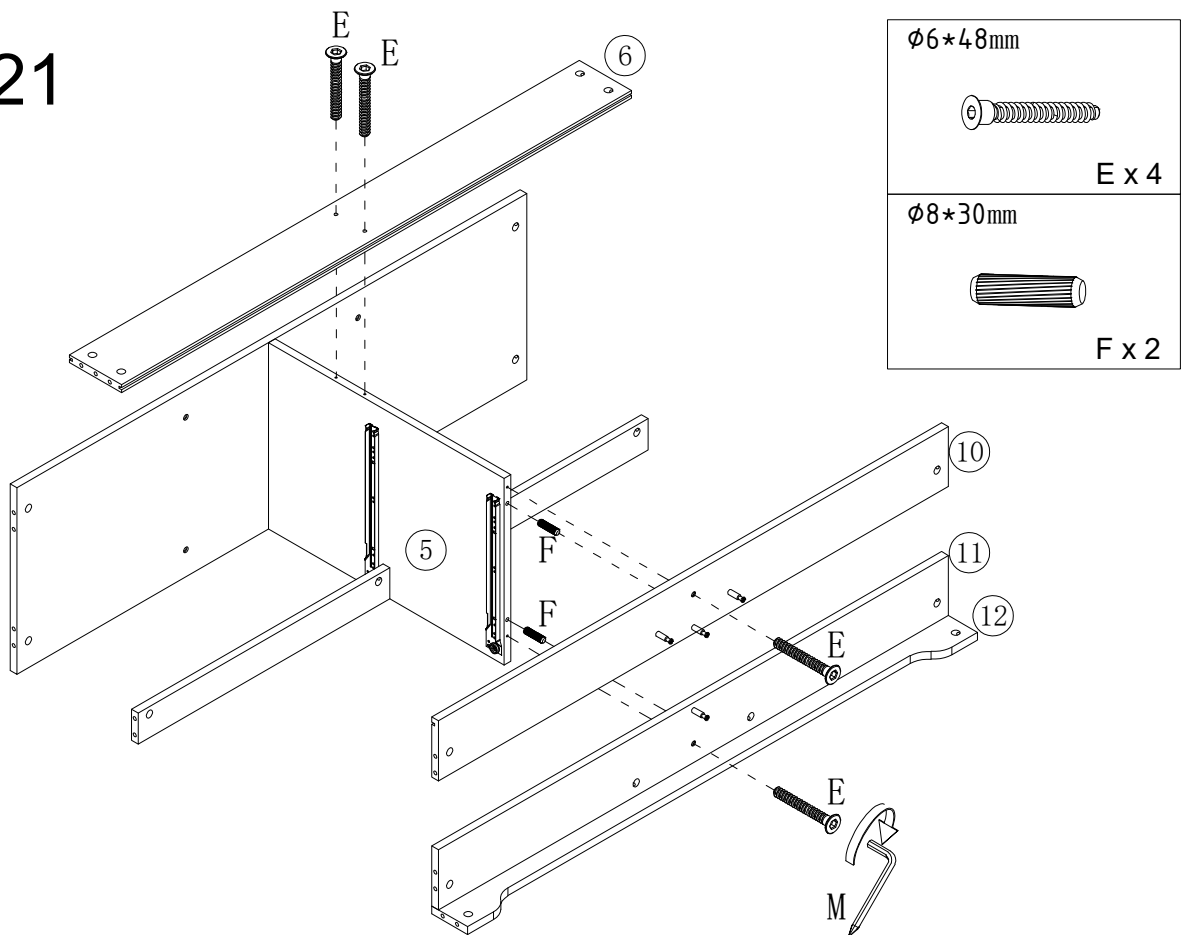
Step 19



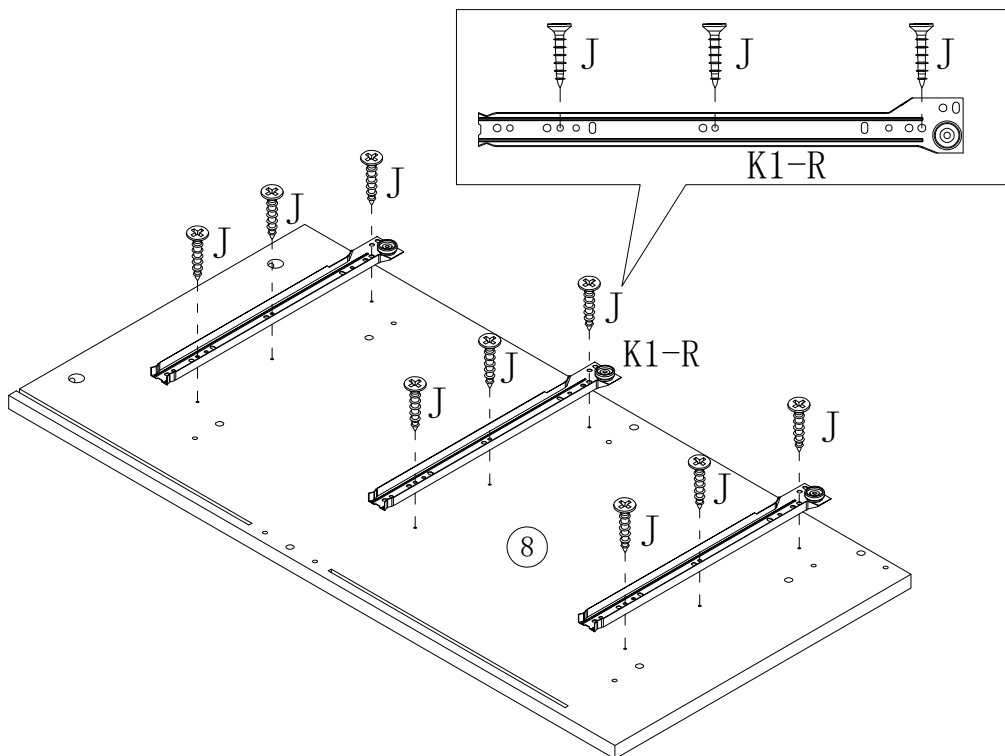
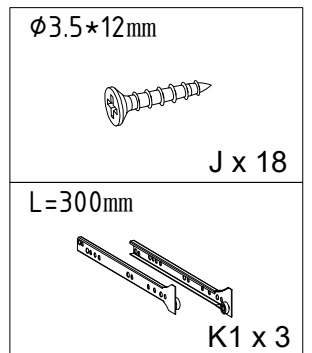
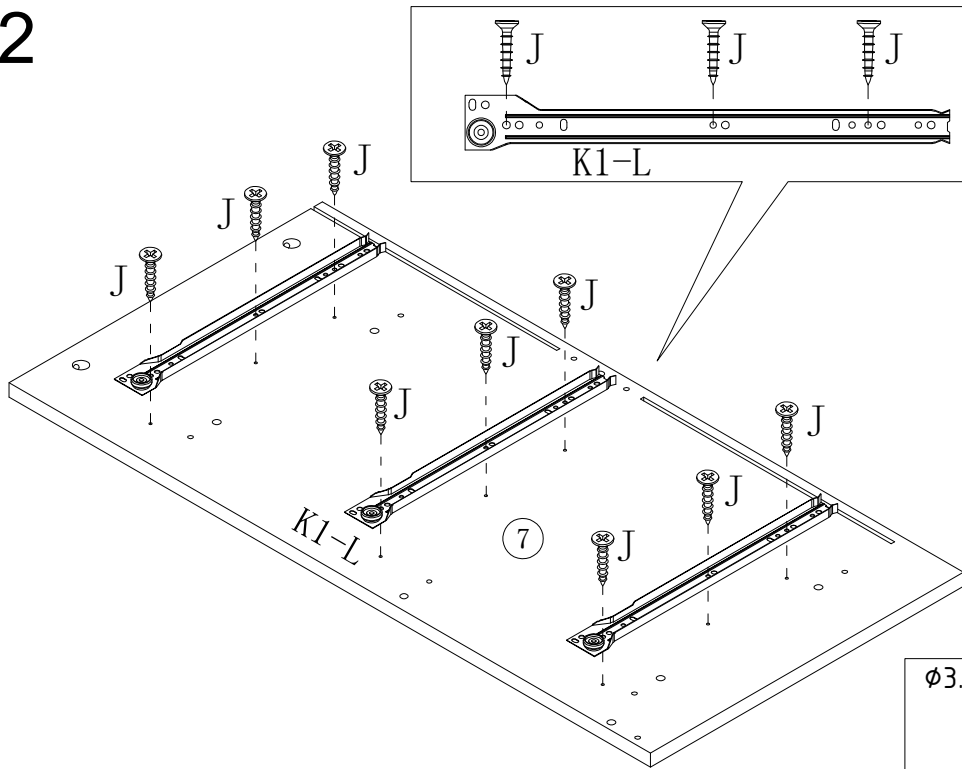
Step 20



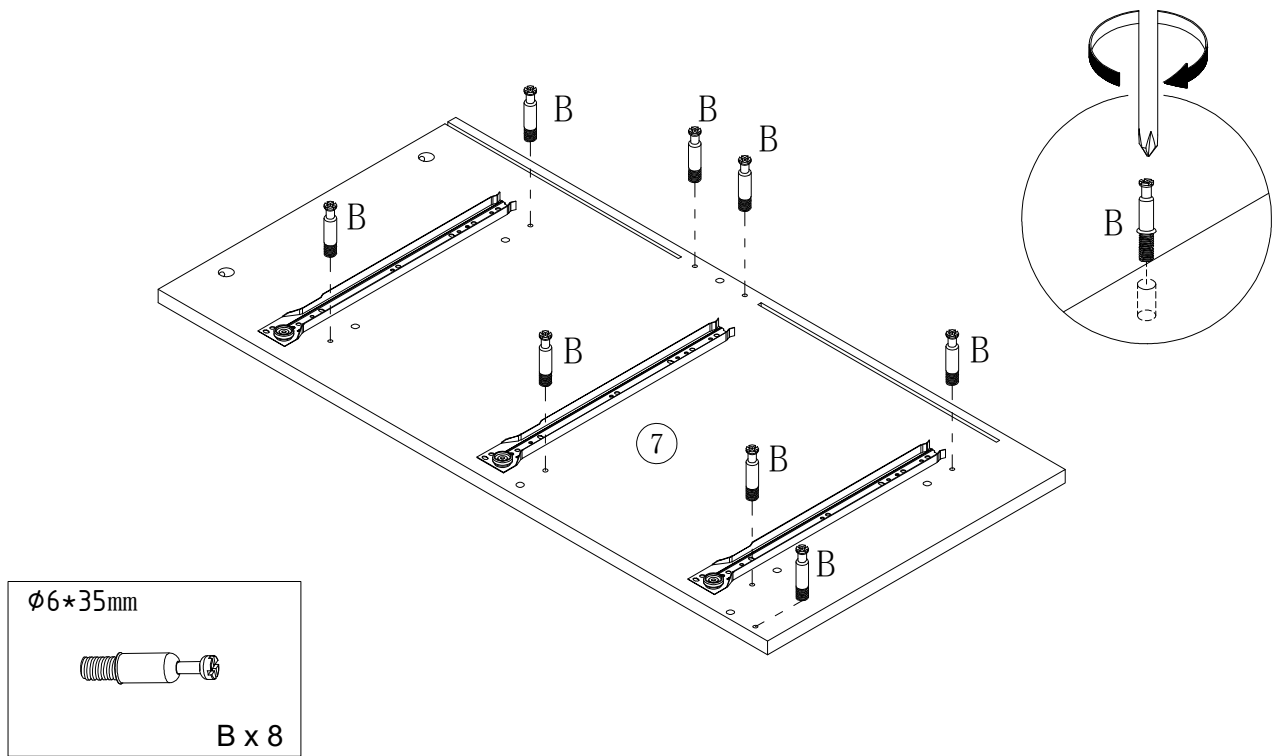
Step 21



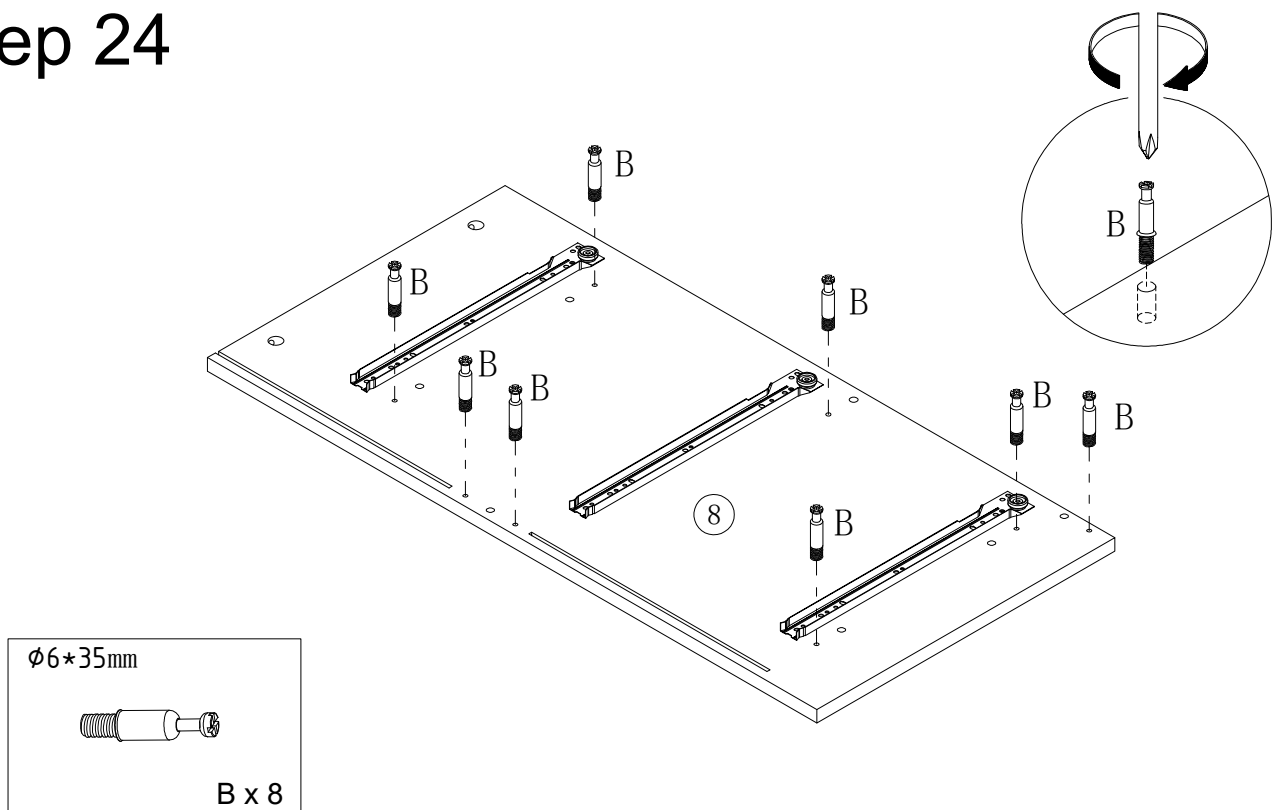
Step 22



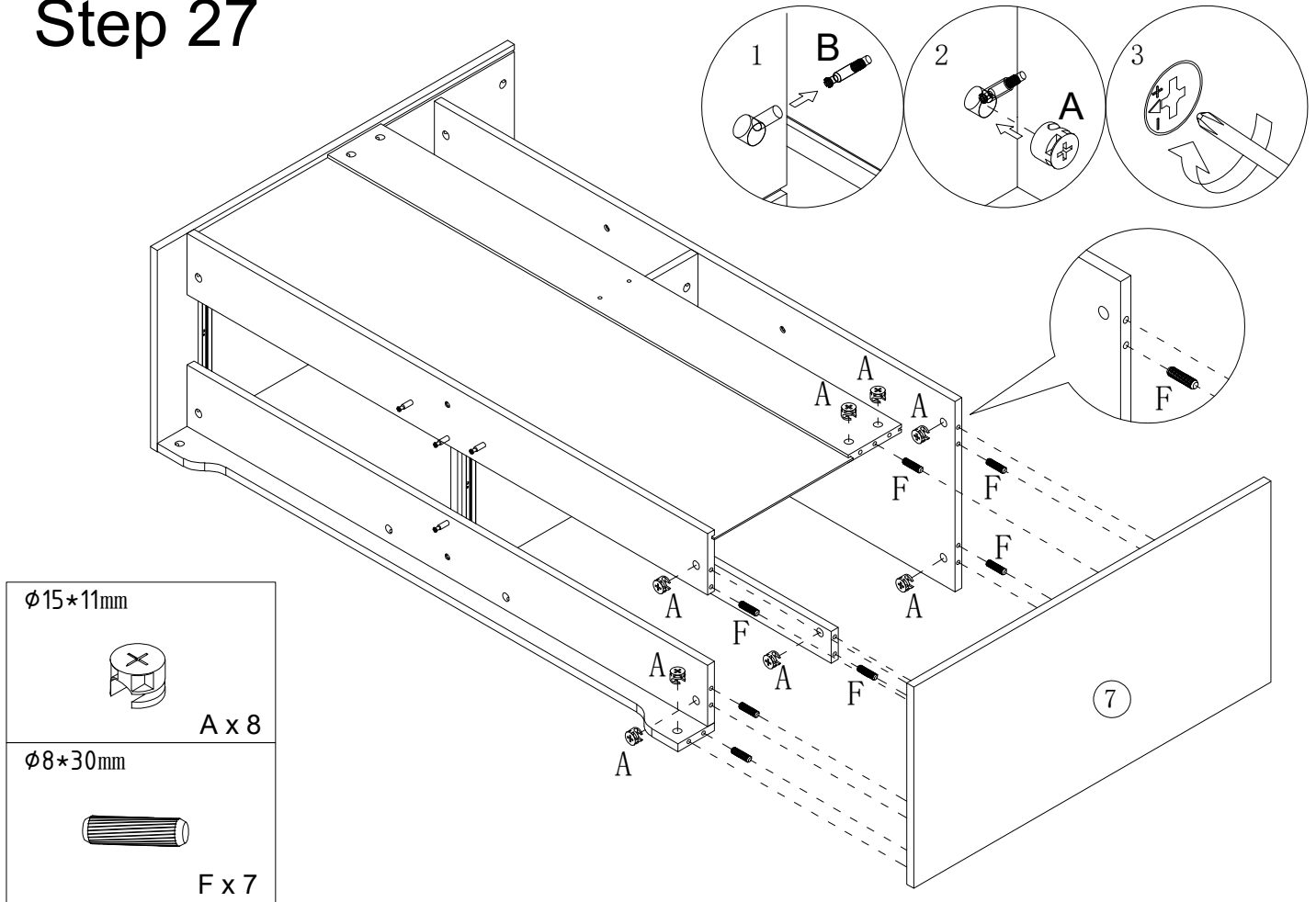
Step 23



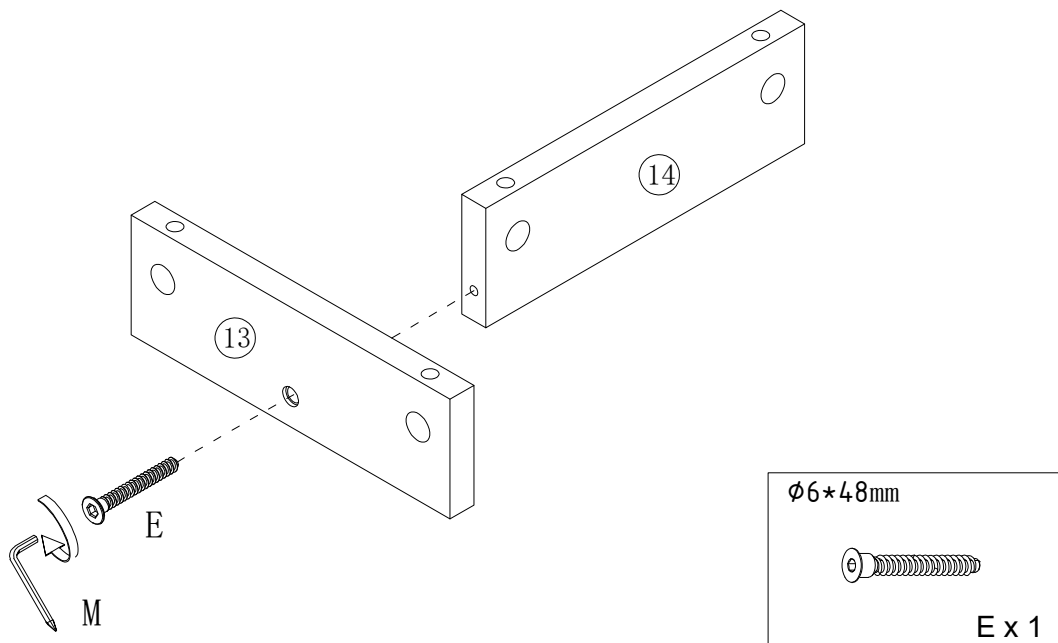
Step 24



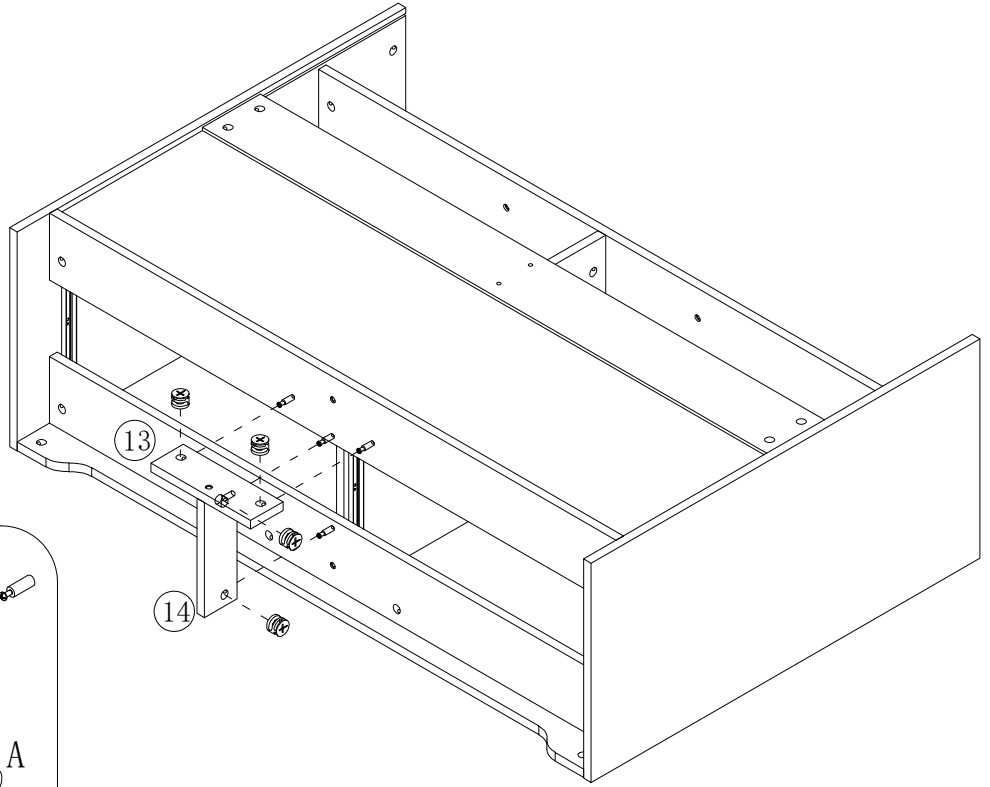
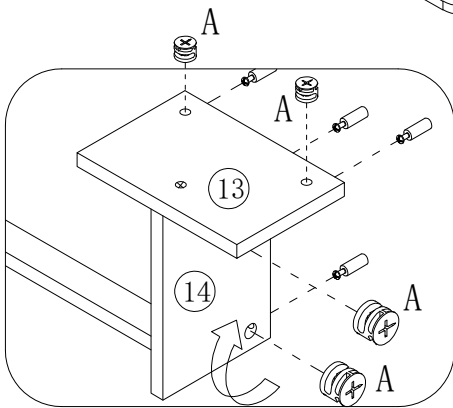
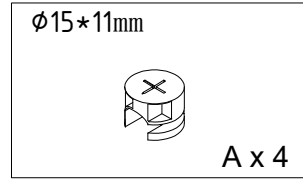
Step 27



Step 28

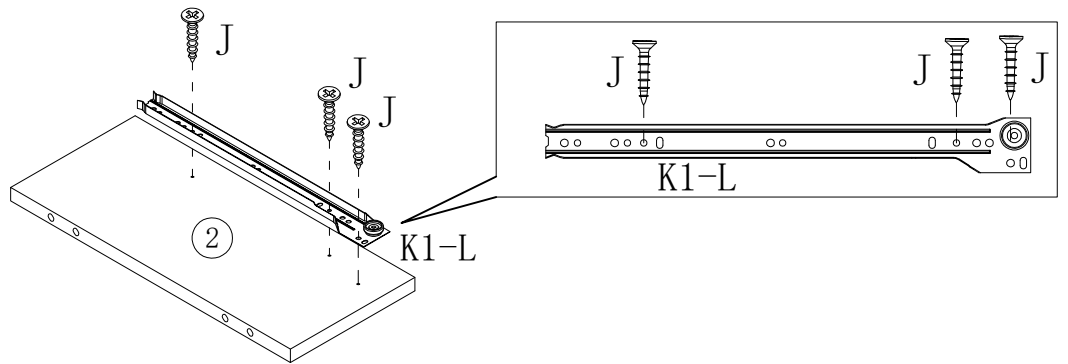


Step 29



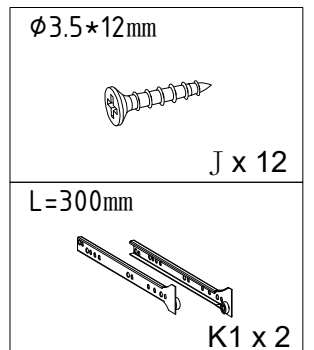
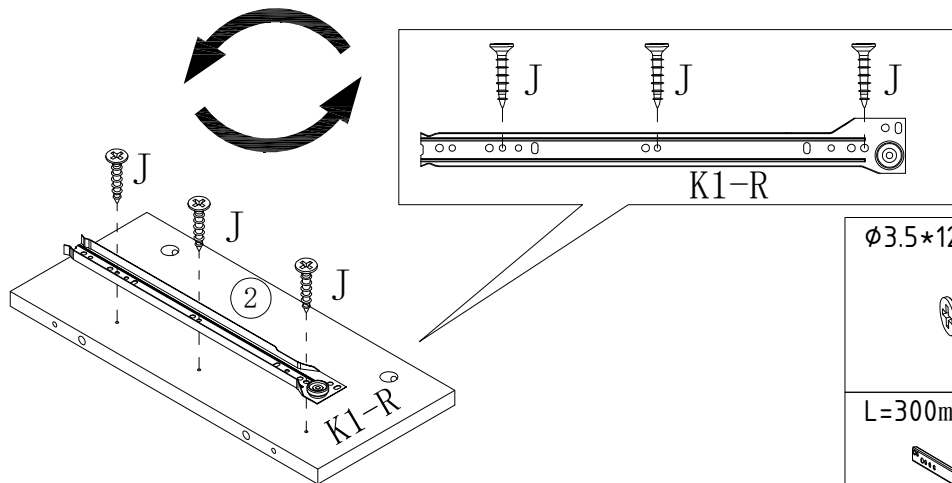
Step 30

x 2

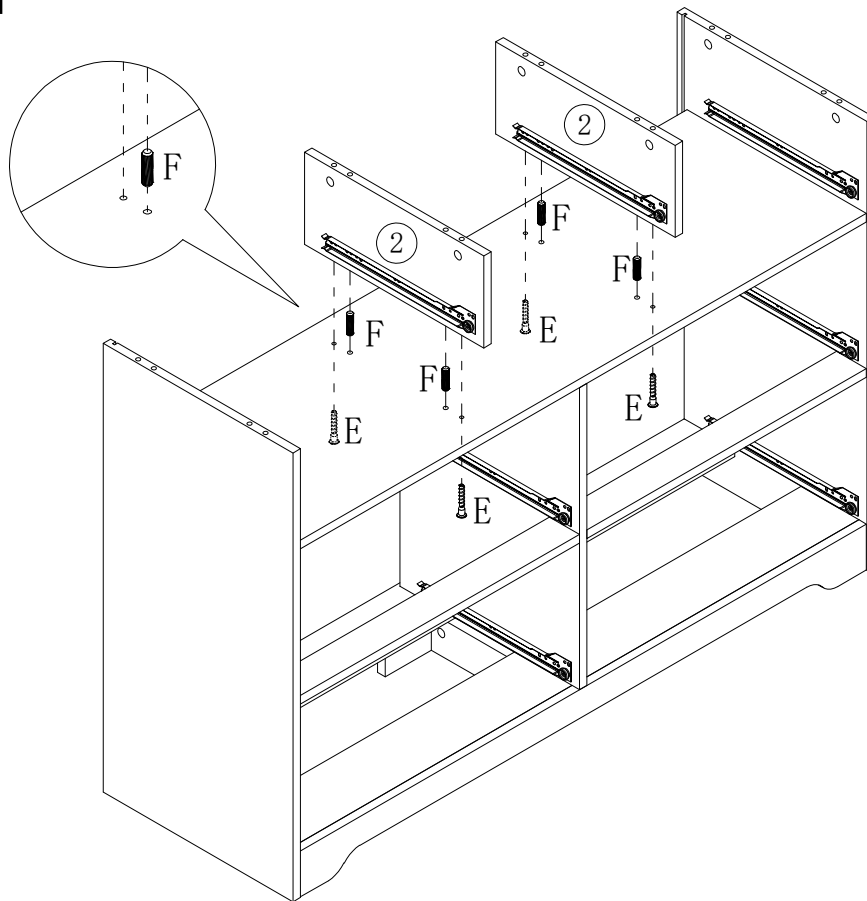


Please flip to the other side of the board.

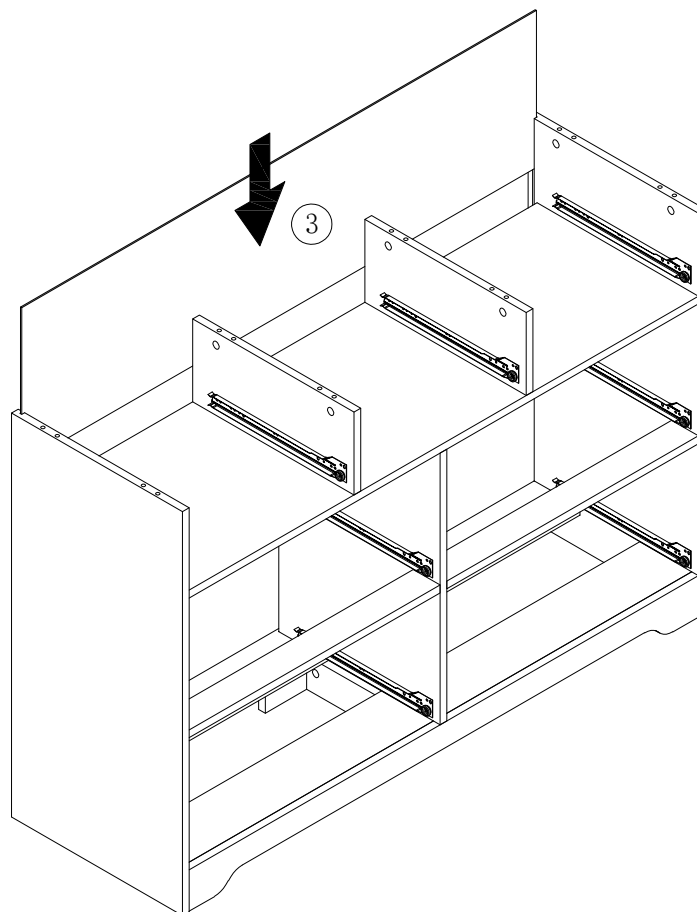
x 2



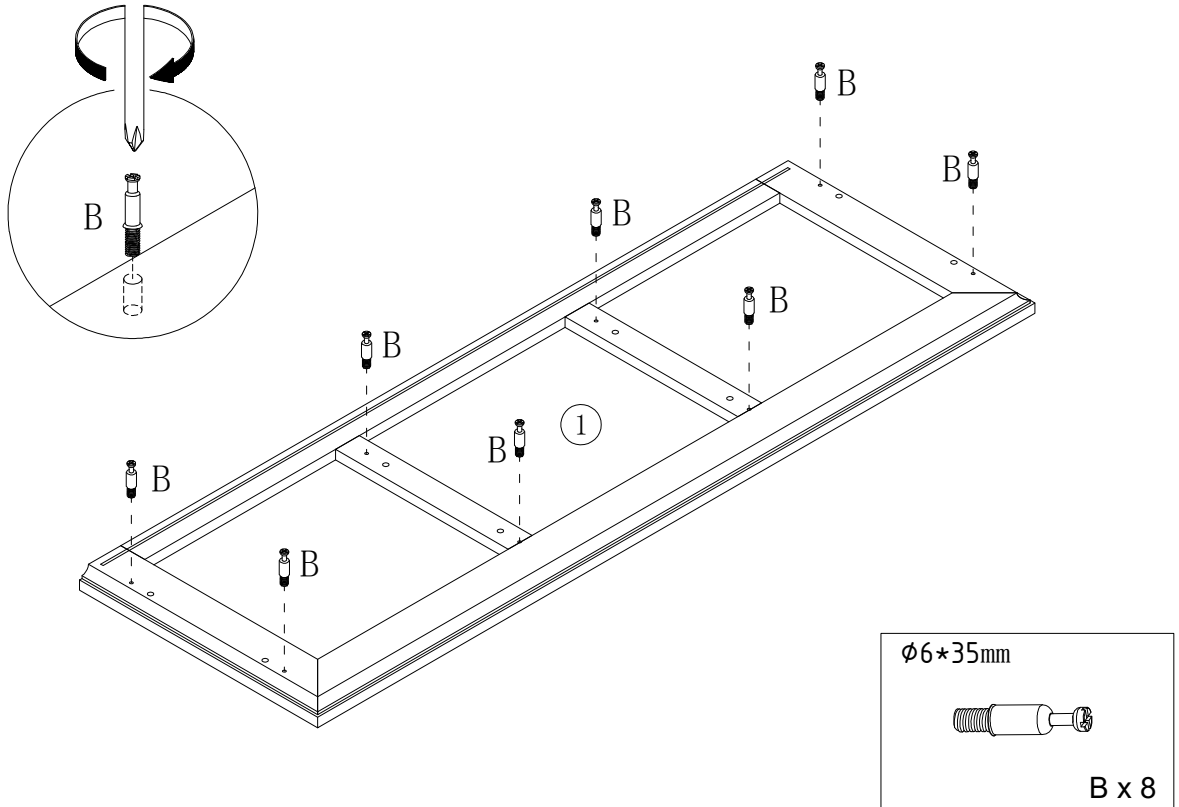
Step 31



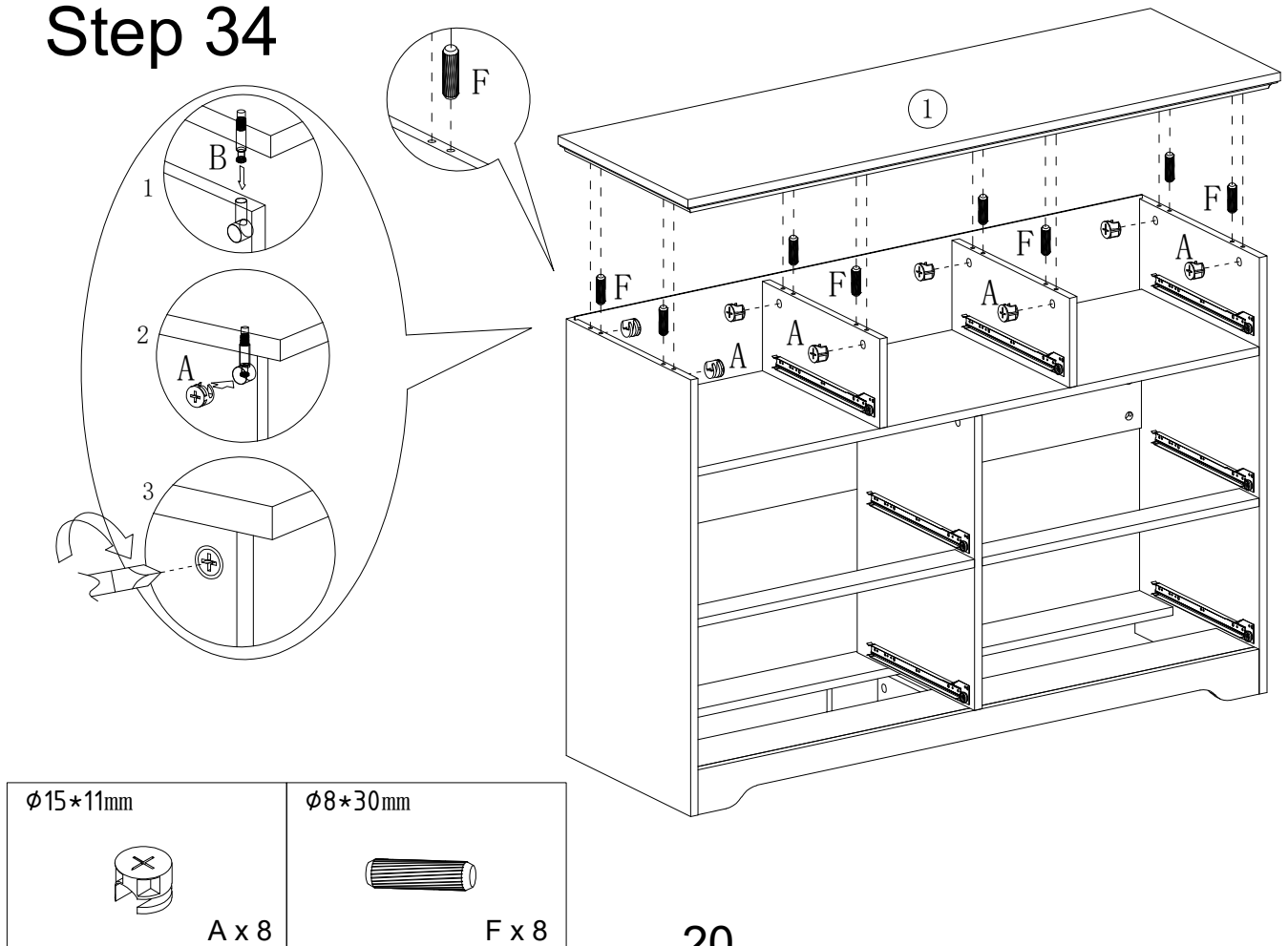
Step 32



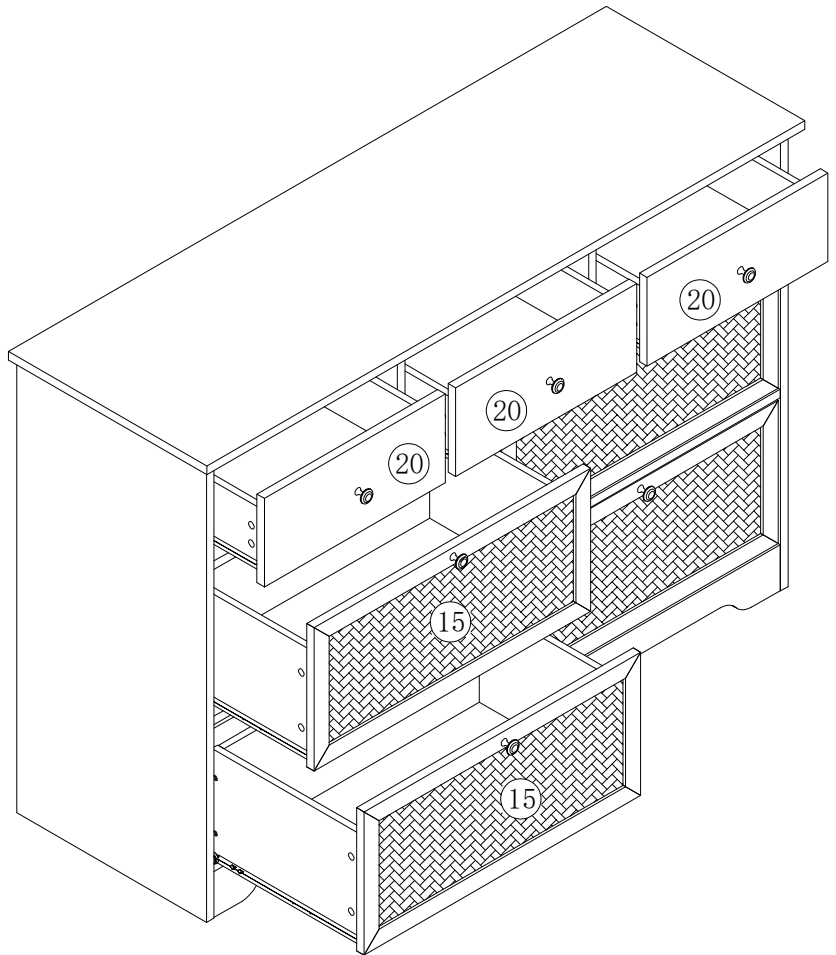
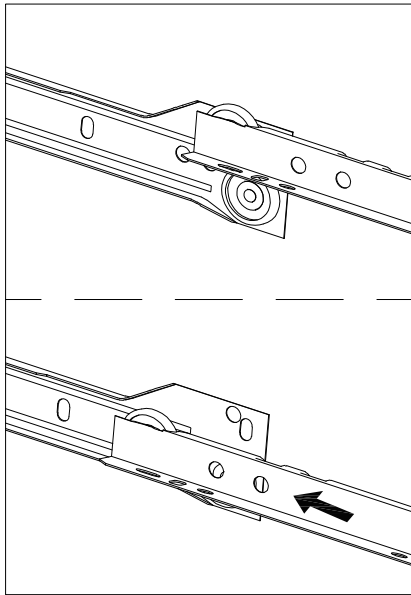
Step 33



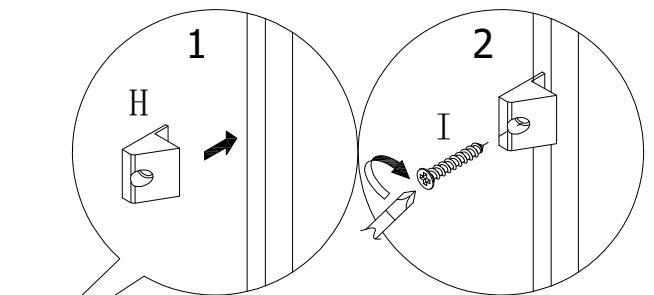
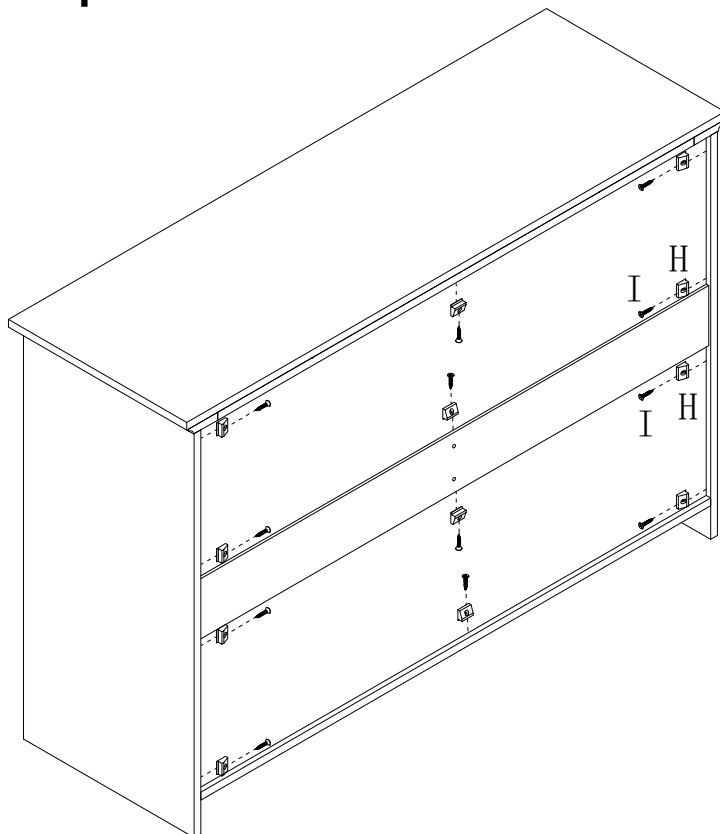
Step 34

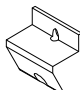
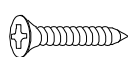


Step 35

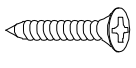
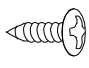




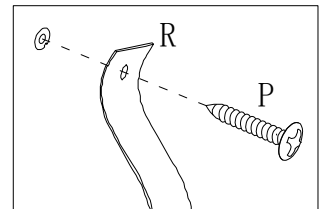
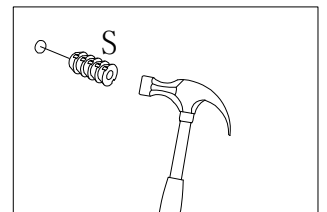
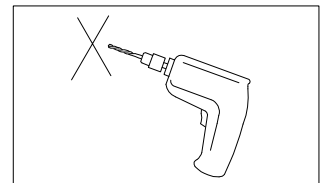
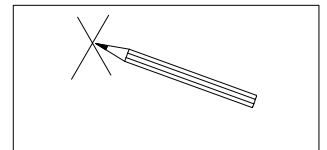
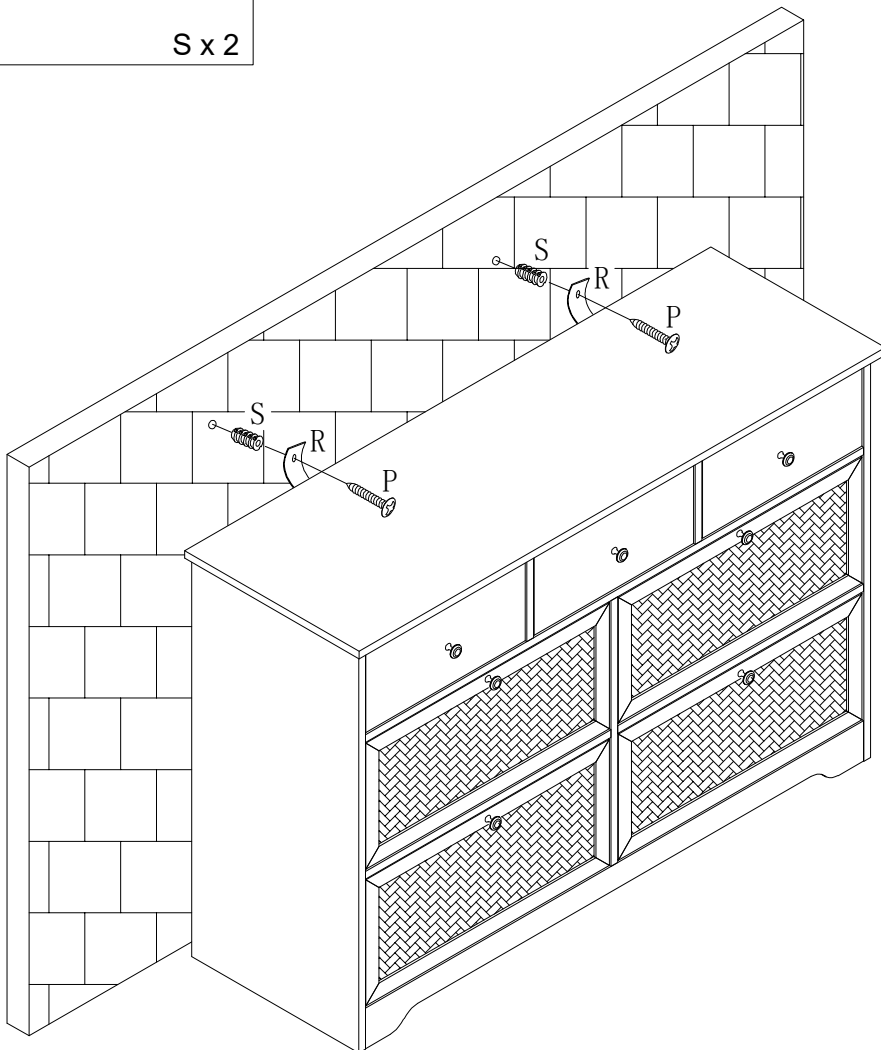
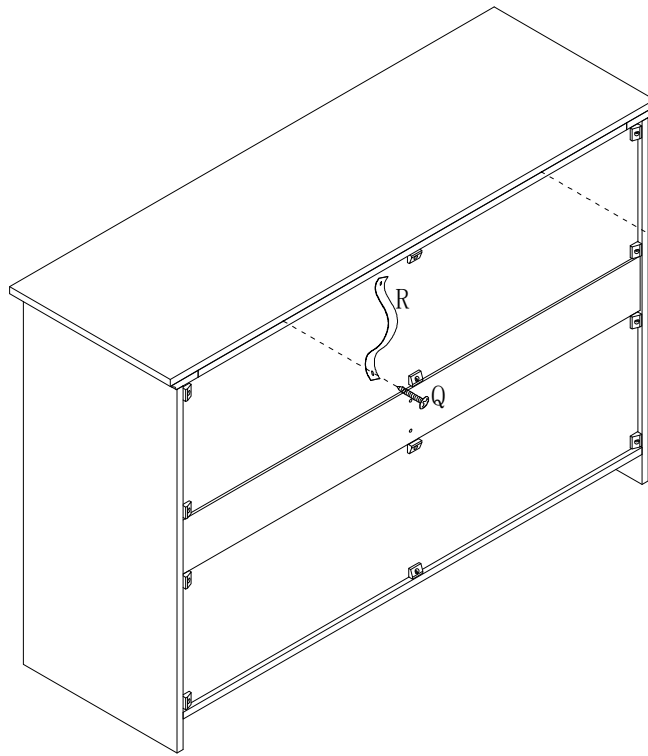
Step 36



15*15*10mm  H x 12	Ø3*16mm  I x 12
---	--

Step 37

- $\phi 4 \times 38\text{mm}$

P x 2
- $\phi 4 \times 12\text{mm}$

Q x 2
- 
R x 2
- 
S x 2



WARRANTY INFORMATION

- Do not expose the surfaces to direct sunlight or to extreme environmental conditions.
- Clean the surfaces preferable with a clean damp cloth, then dry with a clean towel.
- Do not use solvents or abrasive materials to clean the unit. If you decide to use a cleaning agent, test first on an area hidden from view.
- Do not use solvents or abrasive materials to clean the unit. If you decide to use a cleaning agent, test first on an area hidden from view.
- Replacement parts might be available to you at no charge, with an original proof of purchase and where a defect has arisen, wholly or substantially, as a result of faulty manufacturing, parts or workmanship during the Warranty Period.
- The warranty does not extend to regular wear and tear, nor the manufacturer assumes liability for damages or consequences due to accidents, incorrect assembly, negligence, improper use, modifications, or not heeding the above warnings.

Thank you so much for your support! We hope you enjoy your purchase. If there is any damage or missing accessories, please feel free to contact us for free replacement or refund.

Thank you!