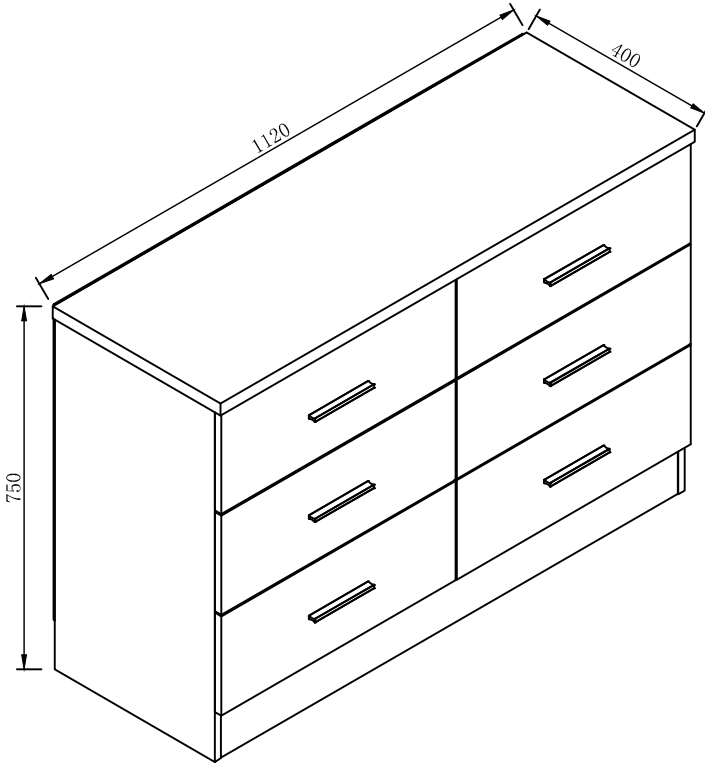


Installation & Assembly

REFLECT - 6(3+3) DRAWER CHEST ASSEMBLY INSTRUCTION

please read the instructions thoroughly BEFORE assembling



Please take care with small parts



Please do not move item when part or fully assembled

Size:(W)1120 x (D)400 x (H)750mm

Please Read these instructions BEFORE starting to assemble, to familiarise yourself with the stages of construction and to plan where to assemble the wardrobe.

(as moving the item whilst partly assembled or failing to lift the item when fully assembled will cause damaged)

CAREFULLY open the fittings kit and check all parts are present against the instructions. Please DO NOT destroy or dispose of any packing until AFTER completing the final stage of assembly.

CAUTION: Small components are to be KEPT AWAY from young children to avoid the risk of choking.

Tools Required (NOT PROVIDED)



Person Required



Approximate Assembly Time



1 Hour

IMPORTANT SAFETY AND ITEM CARE INFORMATION - PLEASE READ THOROUGHLY AND RETAIN INSTRUCTIONS FOR FUTURE REFERENCE

INFORMATION

- This product is intended for a maximum weight of 50kgs . **DO NOT Exceed** this weight as this would cause structural damage and failures
- Due to the size of this product we recommend that it is assembled in the room intended for use, as close to the final position as possible
- When you are ready to start, make sure that you have the right tools, plenty of space and a clean, dry area for assembly.
- Unwrap all packaging materials and place the components on top of the carton box or on a clean floor to prevent it from scratching.
- Check the pack and make sure you have all the parts listed.
- Ensure that this product is fully assembled as illustrated before use.
- Check all screws or bolts are tightened and inspect regularly.
- This product should only be used on firm, level ground.
- Keep small parts out of reach of children.
- Make sure the feet are securely in contact with the ground
- Tools not included.

WARNINGS

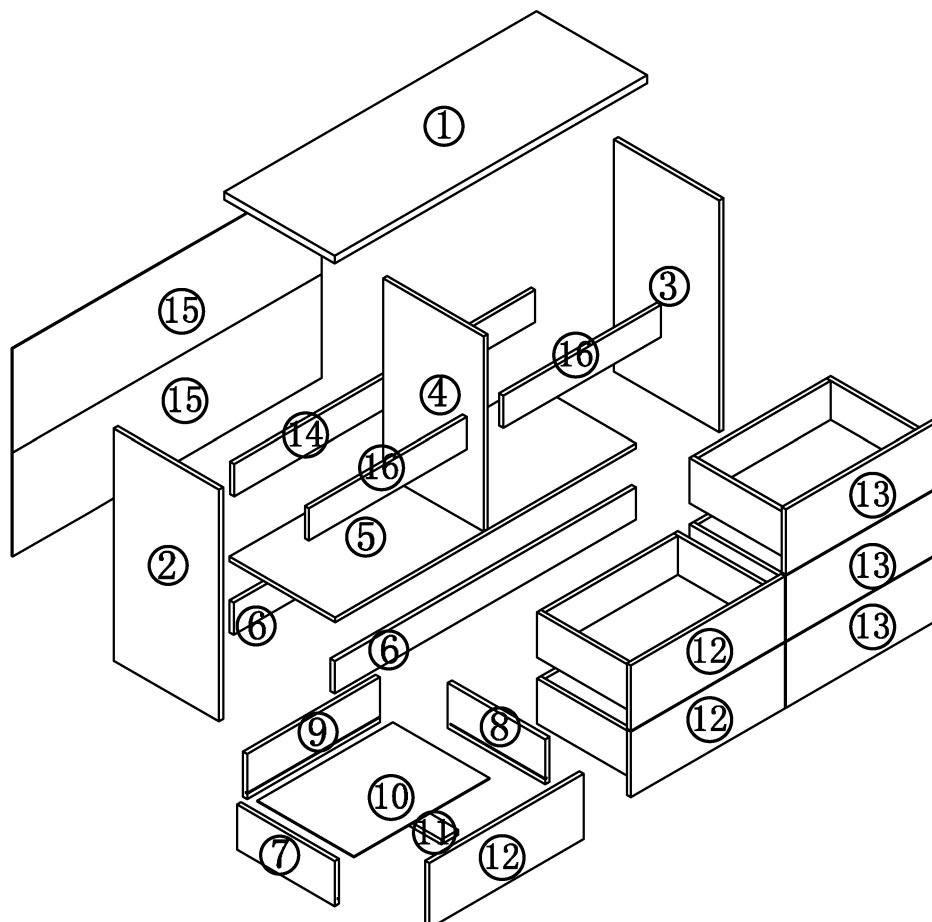
- Do NOT use power tools to construct this product.
- Do NOT tighten screws until fully assembled .
- Do NOT over tighten screws or bolts .
- Do NOT use this product if parts are missing , damaged or worn .
- Do NOT sit or stand on the product .
- We recommend the use of the wall strap provided for safety reasons . N.B. Wall fixings are not included - please source suitable fixings for your wall type . if in doubt please consult a qualified trade person. Warning: Always ensure the area to be drilled is free from hidden electrical wires , water and gas pipes.

CARE INFORMATION

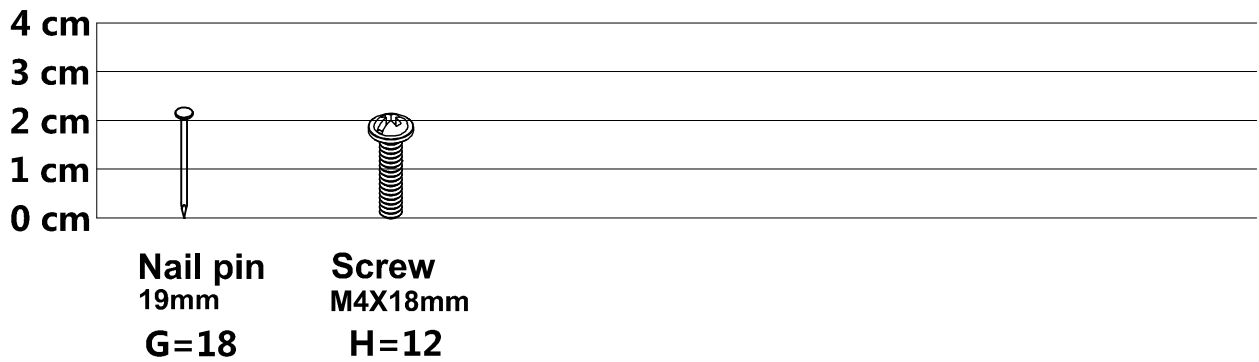
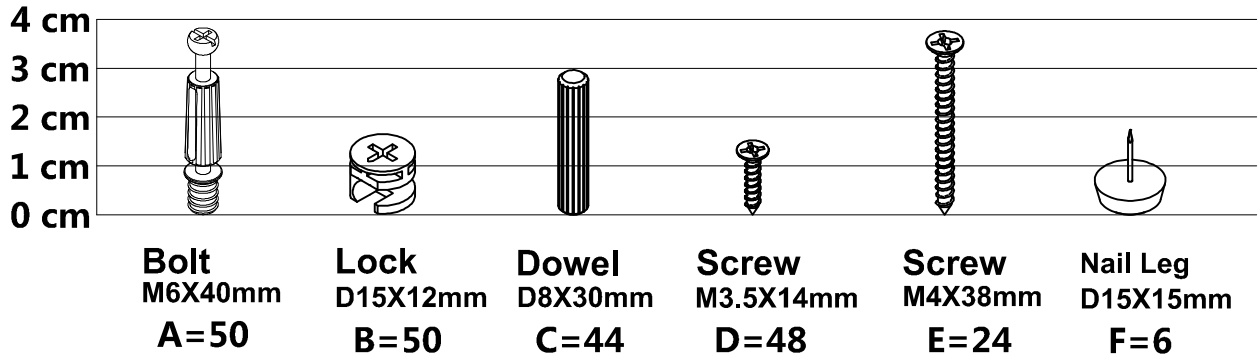
- Never use scourers , abrasives or chemical cleaners.
- To clean wipe with a sponge and warm soapy water . do not use solvent based cleaners or detergents as they can bleach or damage the product.

**Please check the pack contents before assembling the product .
If any components are missing, please contact your retailer. the
fittings pack contains small items that should be kept away from
small children.**






CODE	PART NAME	QTY	CODE	PART NAME	QTY
1	1120X400X25MM TOP PANEL	1PC	9	476X150X15MM DRAWER BACK PANEL	4PCS
2	714X378X15MM LEFT SIDE PANEL	1PC	10	486X345X3MM DRAWER BOTTOM PANEL	6PCS
3	714X378X15MM RIGHT SIDE PANEL	1PC	11	335X60X15MM DRAWER BOTTOM SUPPORT	6PCS
4	605X360X15MM MIDDLE SIDE PANEL	1PC	12	699X70X15MM DRAWER FRONT PANEL	3PCS
5	1080X378X15MM DRAWER FRONT PANEL	1PC	13	383X70X15MM DRAWER FRONT PANEL	3PCS
6	1080X100X15MM BOTTOM PANEL	2PCS	14	720X156X15MM MIDDLE CROSS BAR	1PC
7	350X150X15MM DRAWER LEFT SIDE PANEL	6PCS	15	403X156X3MM BACK PANEL	2PCS
8	350X150X15MM DRAWER RIGHT SIDE PANEL	6PCS	16	532X100X15MM MIDDLE CROSS BAR	2PCS



Fixings (to scale)



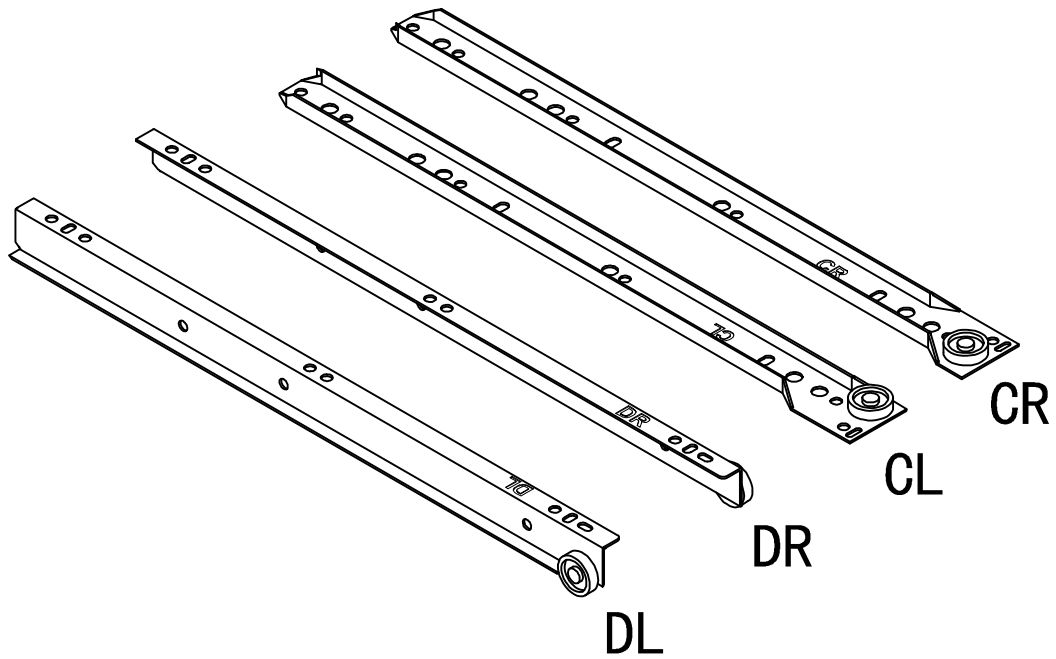
Fixings (not to scale)

Handle  L128mm J=6	Outer Drawer Runner - Right  CR=6	Outer Drawer Runner - Left  CL=6	Inner Drawer Runner - Right  DR=6	Inner Drawer Runner - Left  DL=6	
---	---	--	---	---	--

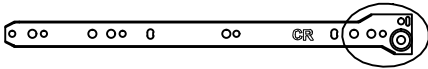
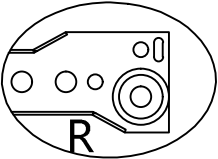
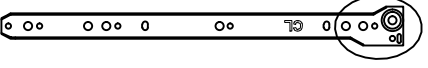
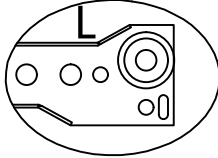
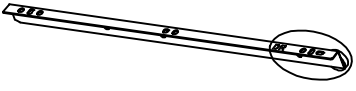
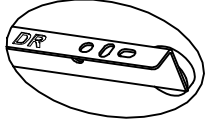
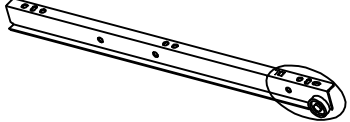
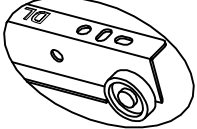
Drawer Runner Instruction

IMPORTANT - Please Read It Carefully.

NOTE: 1 PAIR DRAWER RUNNER INCLUDES 4 PIECES.



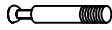


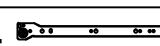
Fittings (not to scale)

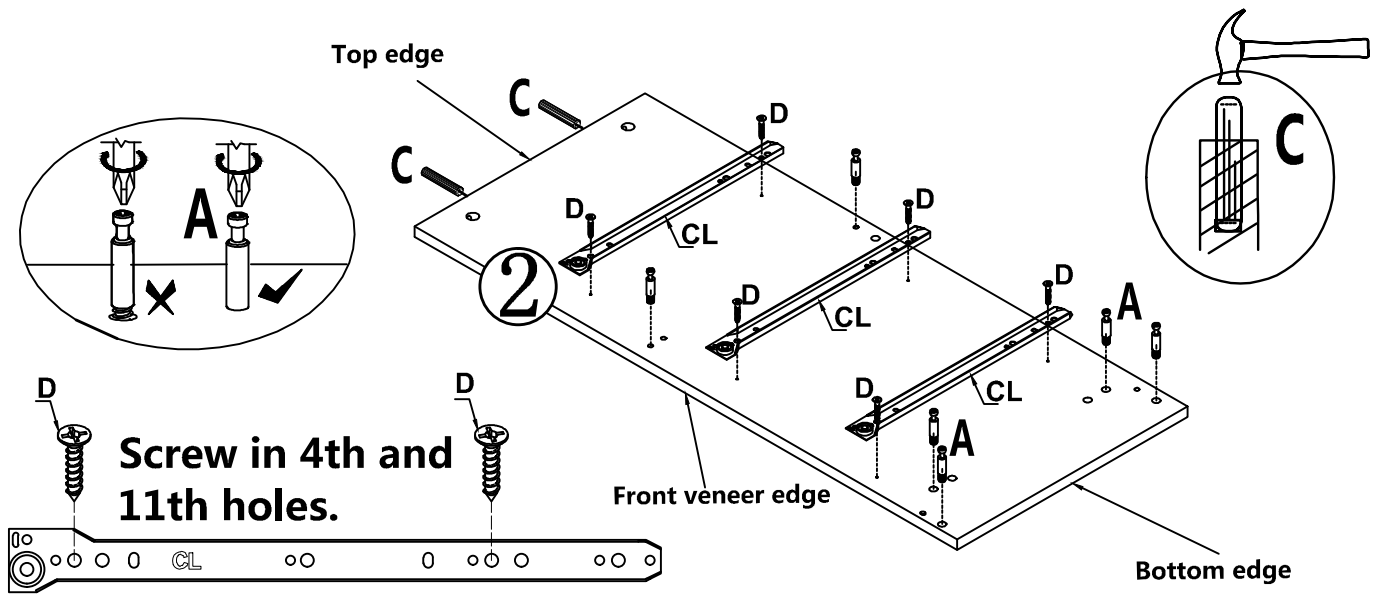
NO.	DESCRIPTION	QTY		
CR	Outer Drawer Runner - Right	6PCS		
CL	Outer Drawer Runner - Left	6PCS		
DR	Inner Drawer Runner - Right	6PCS		
DL	Inner Drawer Runner - Left	6PCS		

STEP 1

Assembly details

When attaching part (CL) make sure flat edge of part (CL) facing towards veneer edge and roller wheel is facing down towards bottom edge.

A		6 PCS
C		2 PCS
D		6 PCS
CL		3 PCS

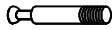


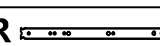


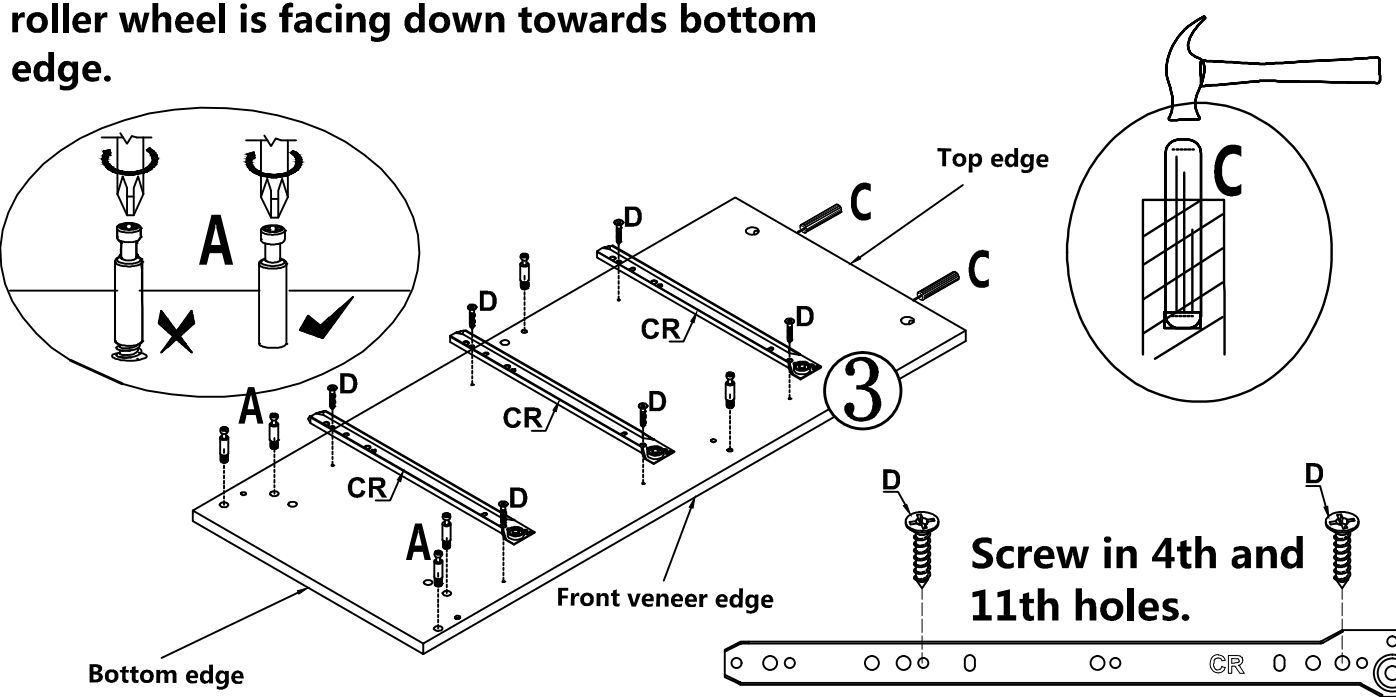
Screw in 4th and 11th holes.

STEP 2

Assembly details

When attaching part (CR) make sure flat edge of part (CR) facing towards veneer edge and roller wheel is facing down towards bottom edge.

A		6 PCS
C		2 PCS
D		6 PCS
CR		3 PCS



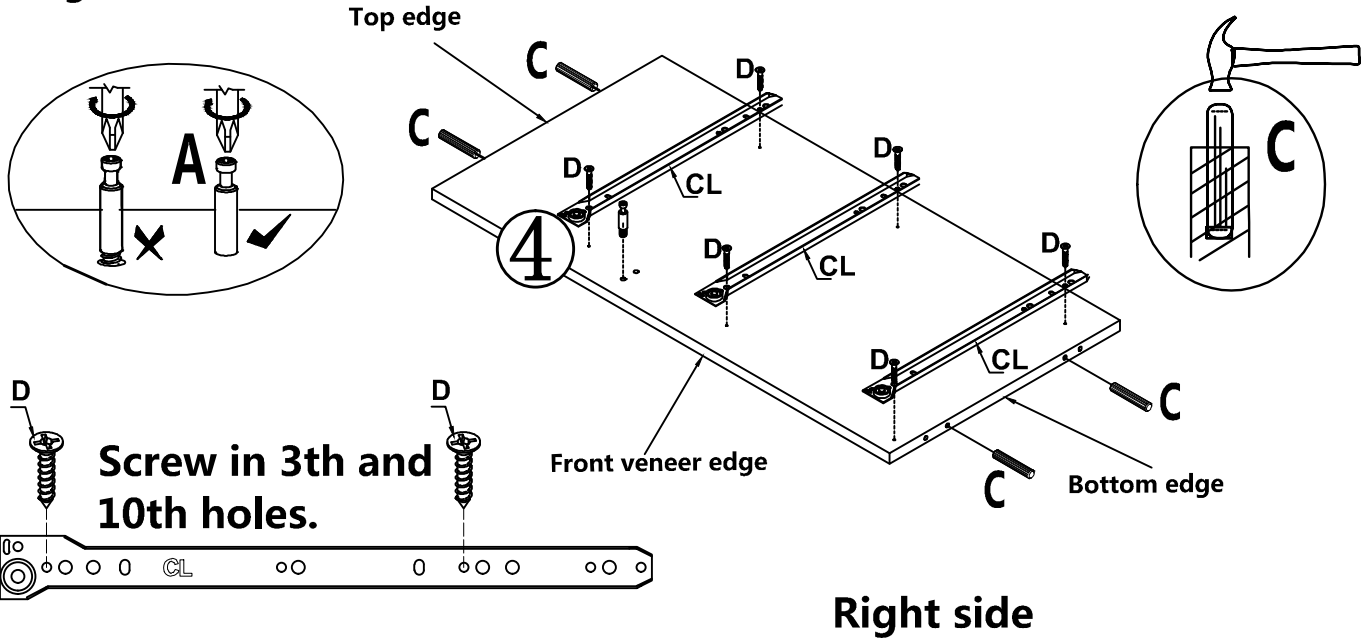
Screw in 4th and 11th holes.

STEP 3

Assembly details

When attaching part (CL) make sure flat edge of part (CL) facing towards veneer edge and roller wheel is facing down towards bottom edge.

C		4 PCS
D		6 PCS
CL		3 PCS
A		1 PC

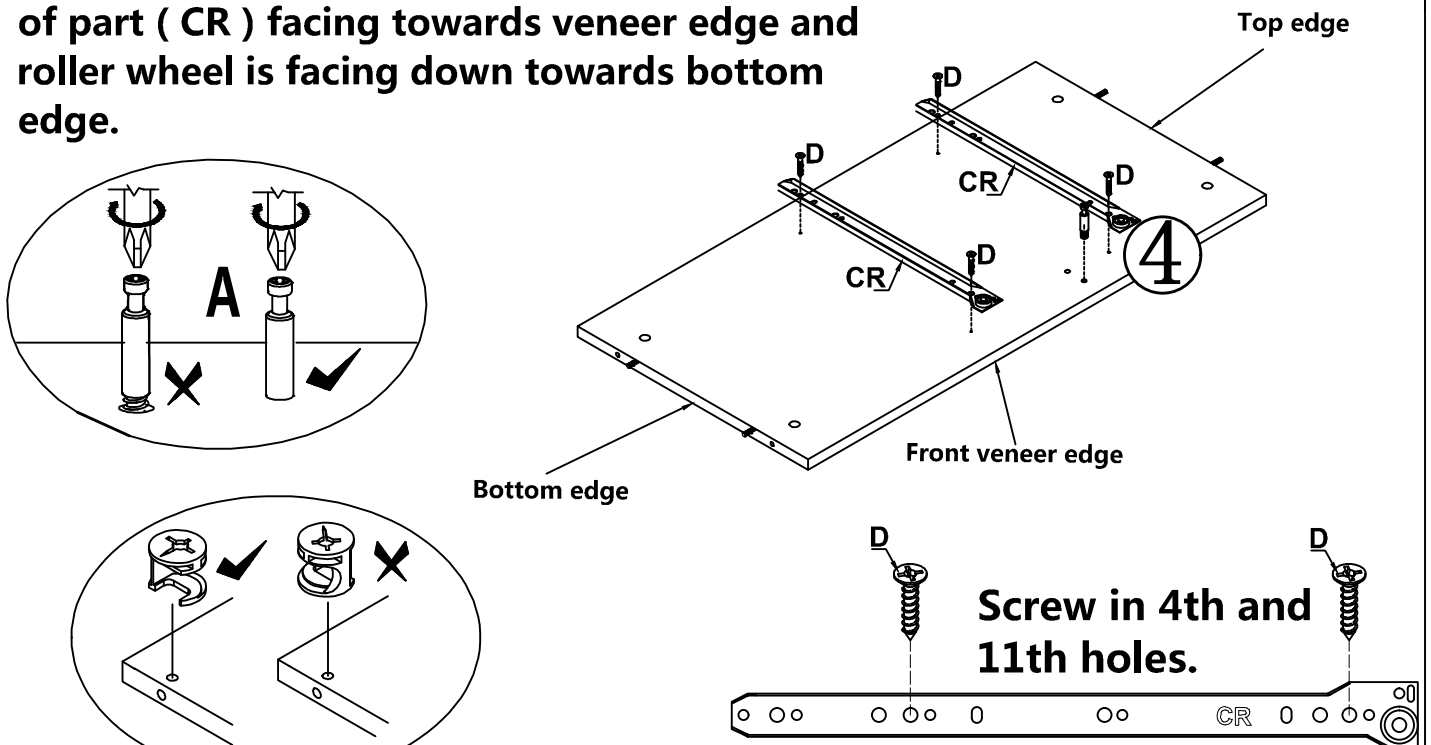


STEP 4

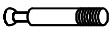

Assembly details

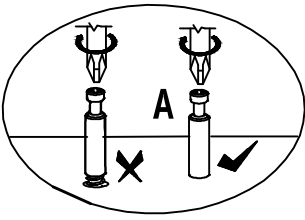
When attaching part (CR) make sure flat edge of part (CR) facing towards veneer edge and roller wheel is facing down towards bottom edge.

D		4 PCS
CR		2 PCS
A		1 PC

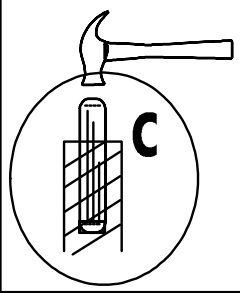
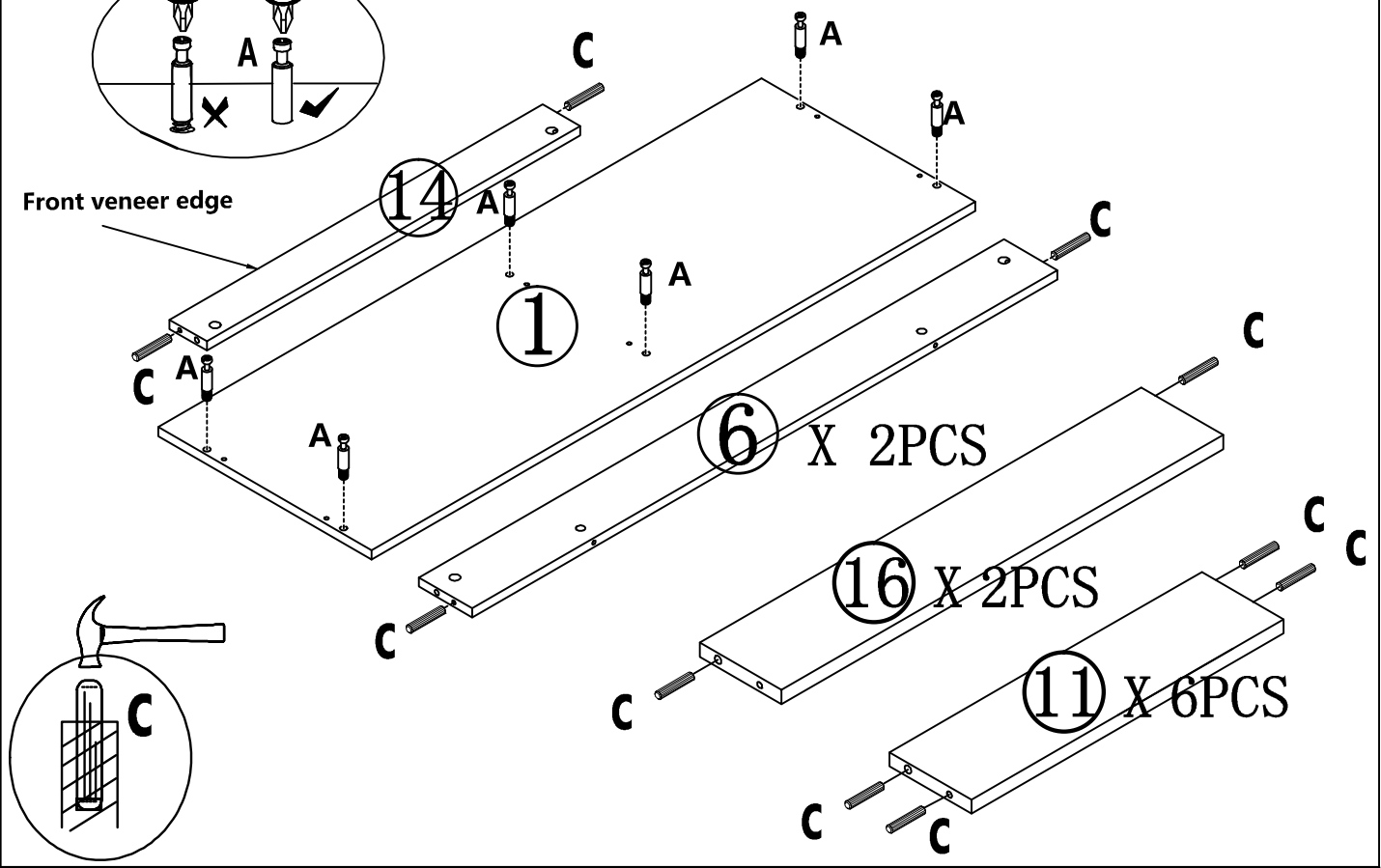


STEP 5

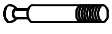

A		6 PCS
C		34 PCS

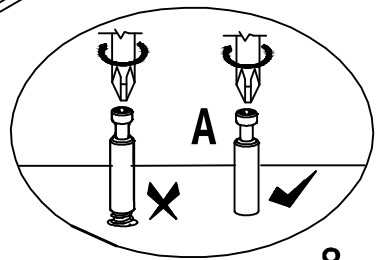
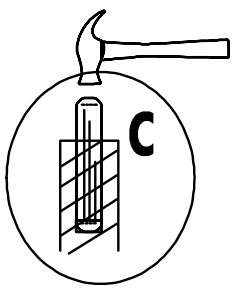
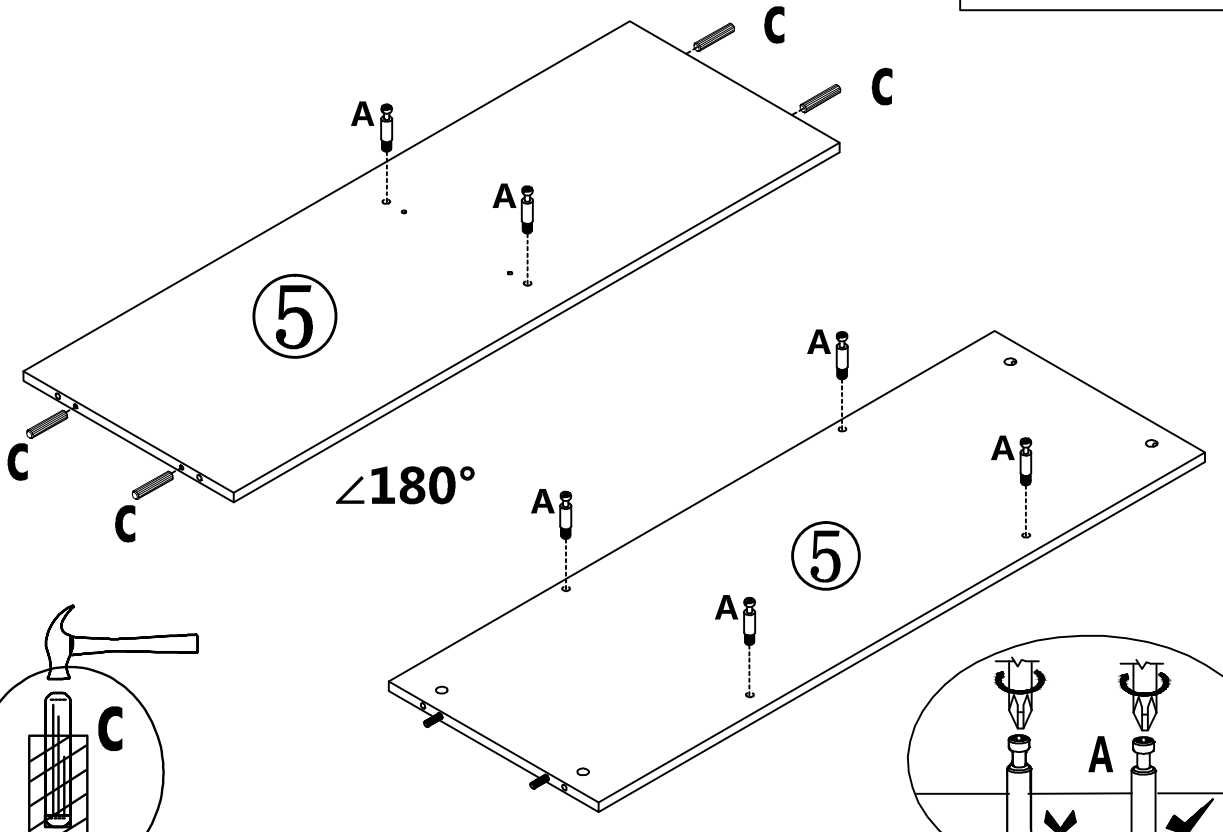


Front veneer edge



STEP 6

A		6 PCS
C		4 PCS

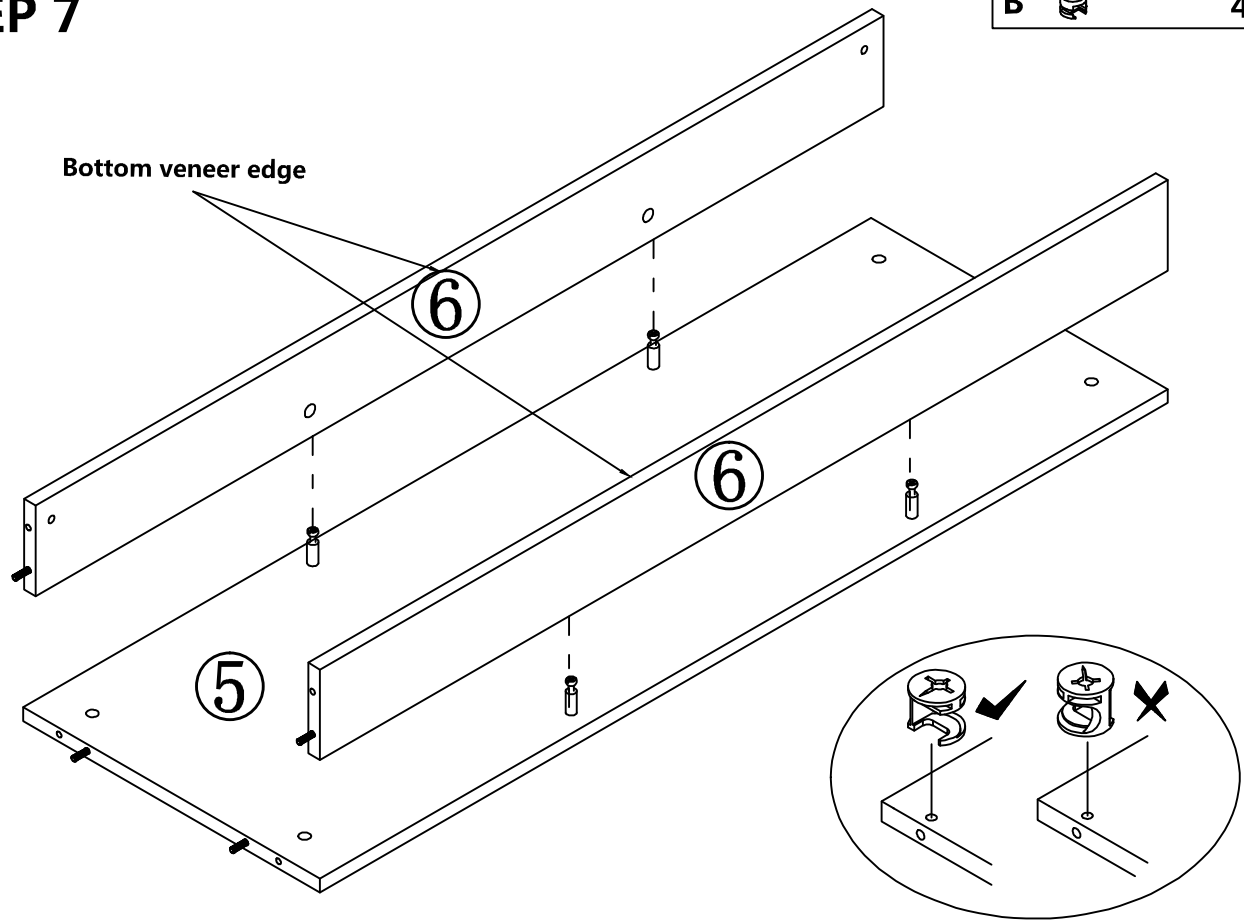


STEP 7

B



4 PCS

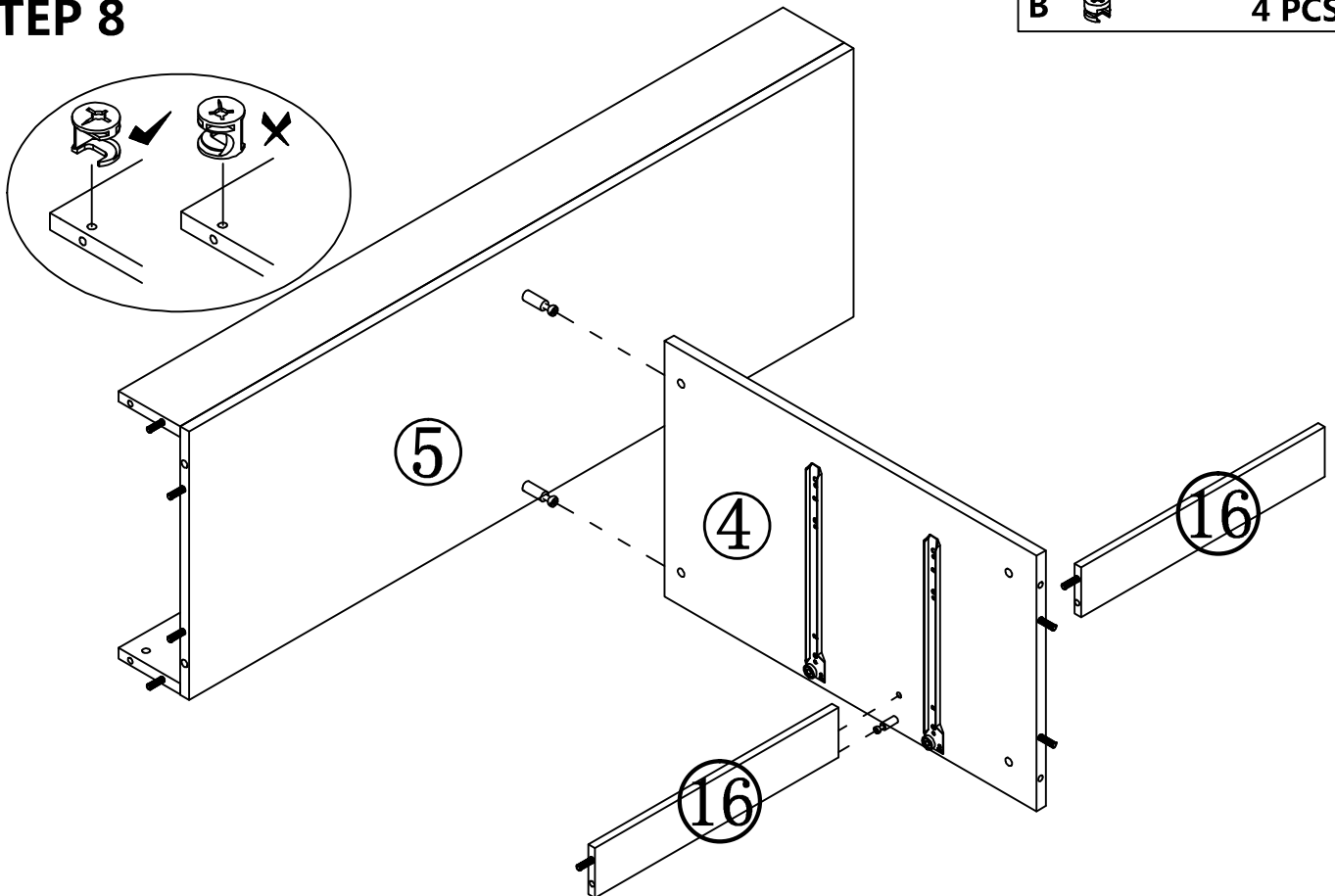


STEP 8

B



4 PCS

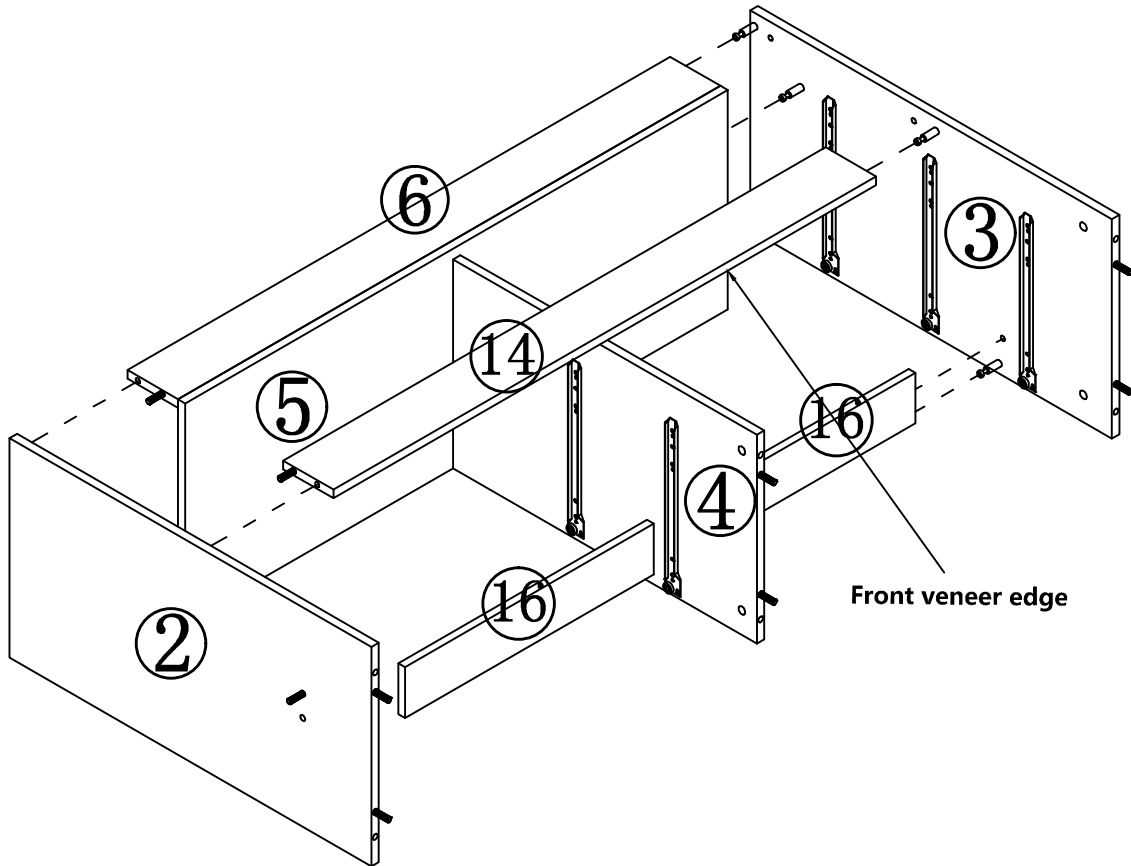


STEP 9

B



12 PCS



STEP 10

B



6 PCS

D

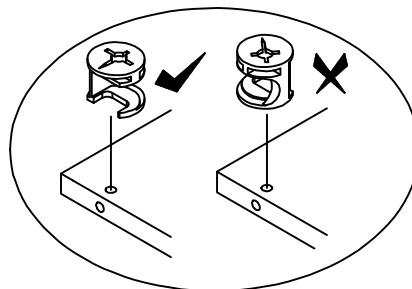
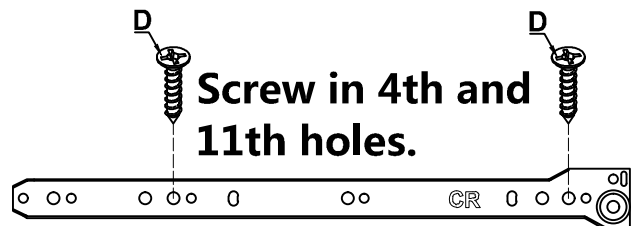
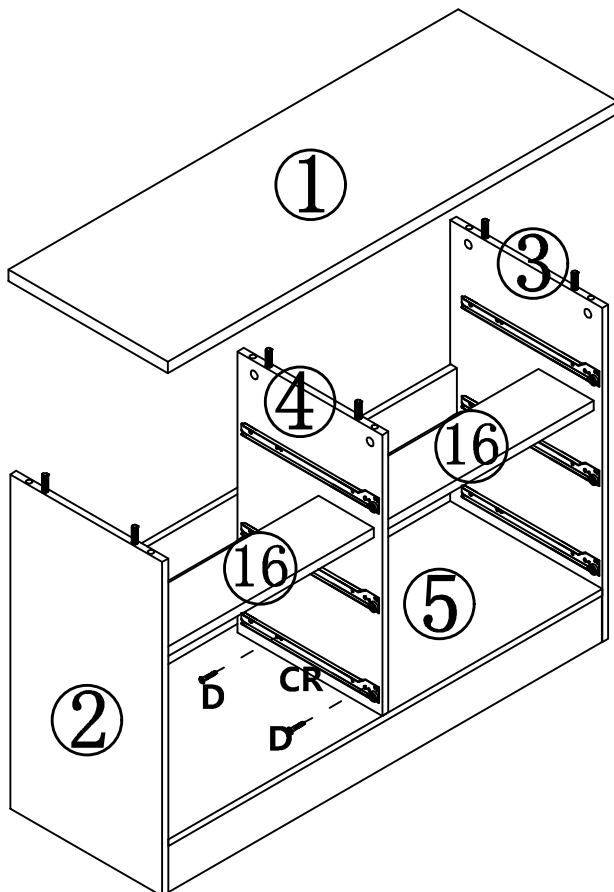


2 PCS

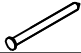

CR

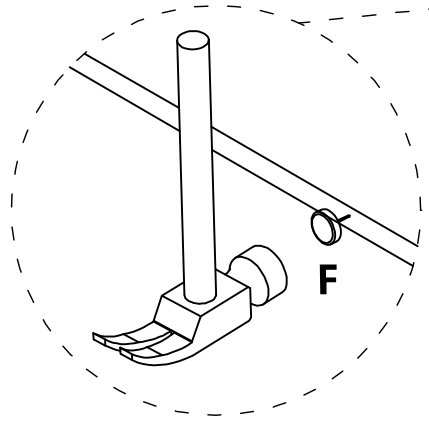
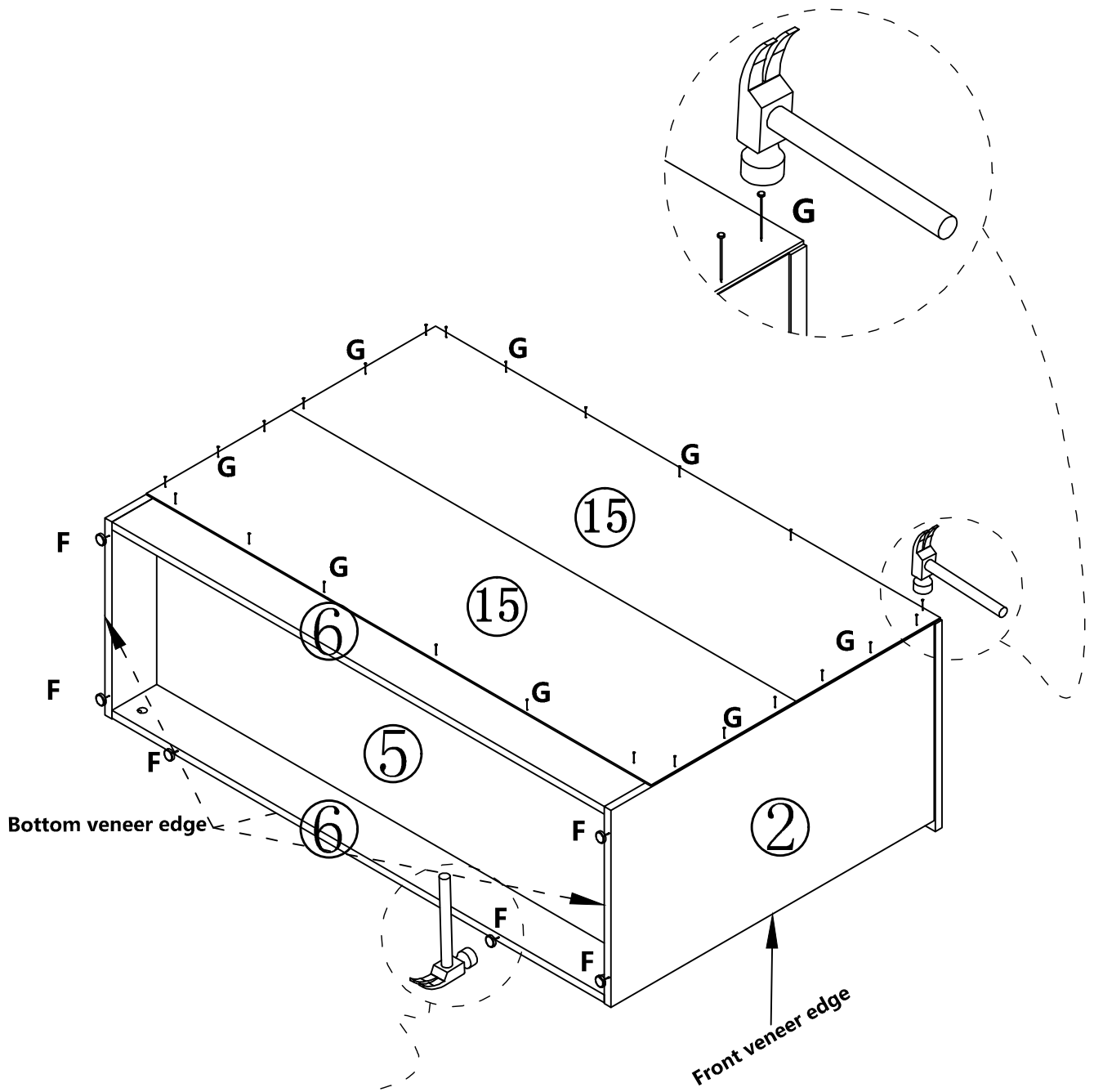


1 PC



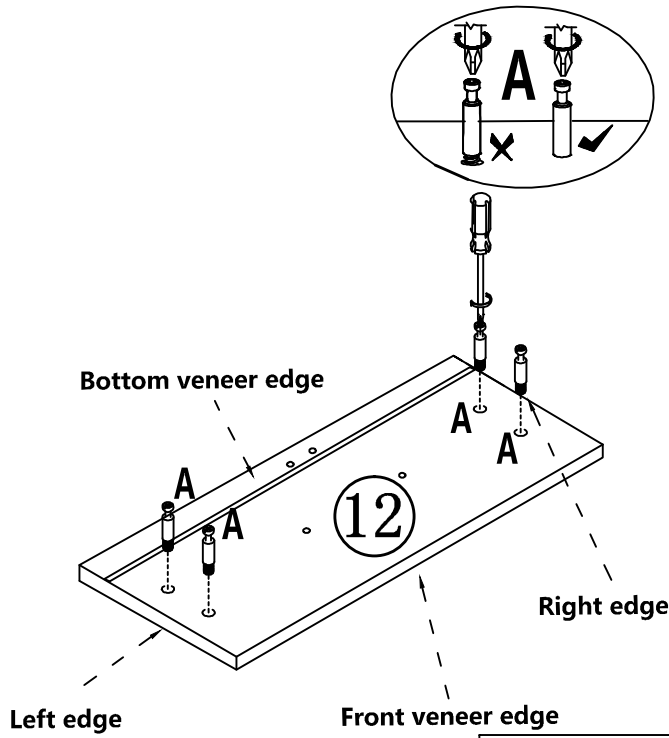
STEP 11

G		18PCS
F		6 PCS



STEP 12

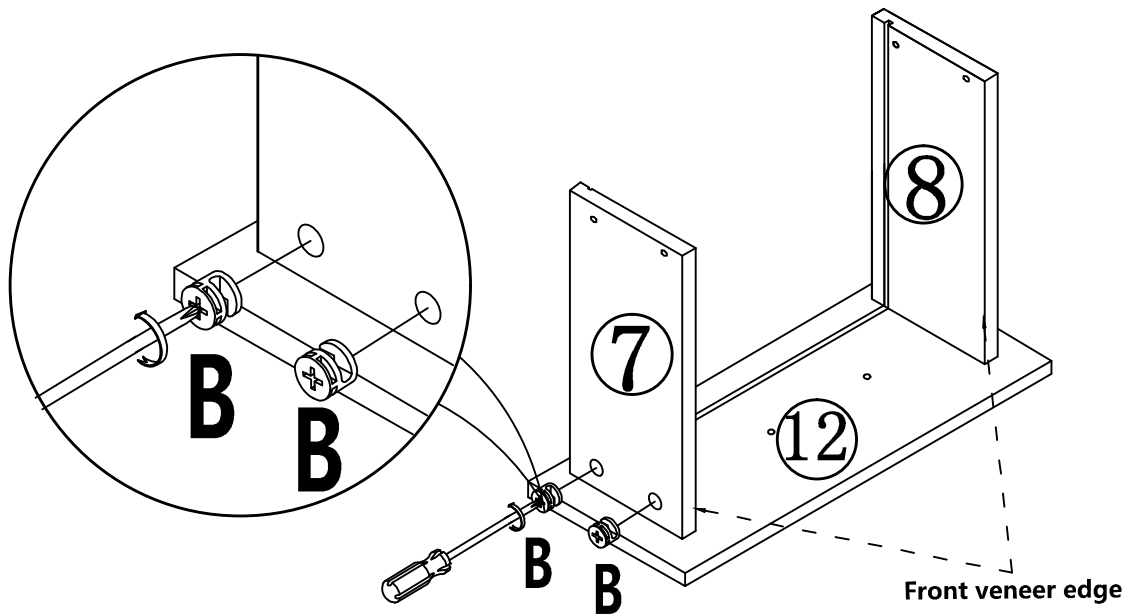
A  12 PCS



Repeat the process for all 3 drawers

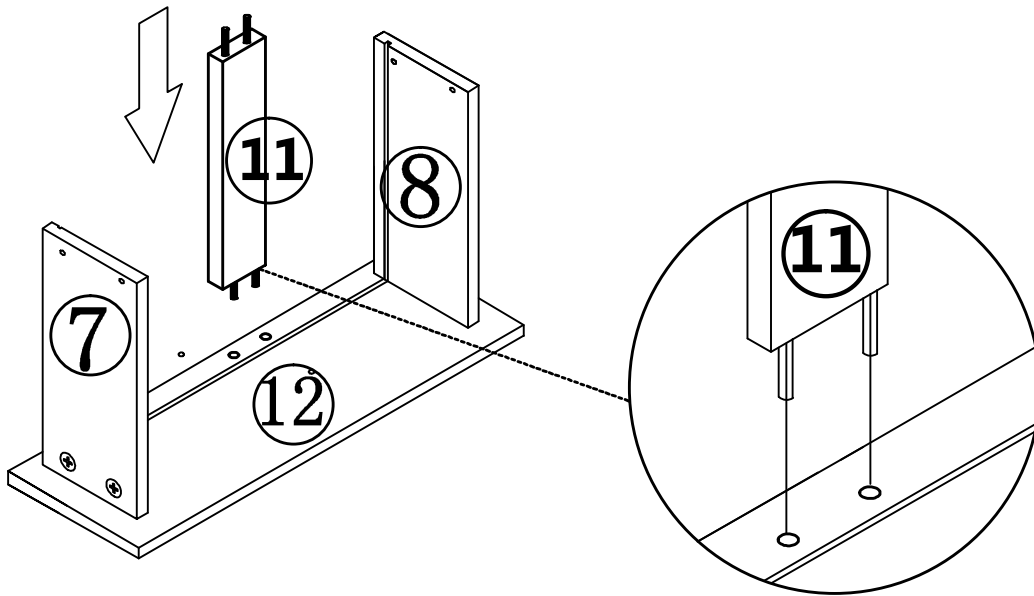
STEP 13

B  12 PCS



Repeat the process for all 3 drawers

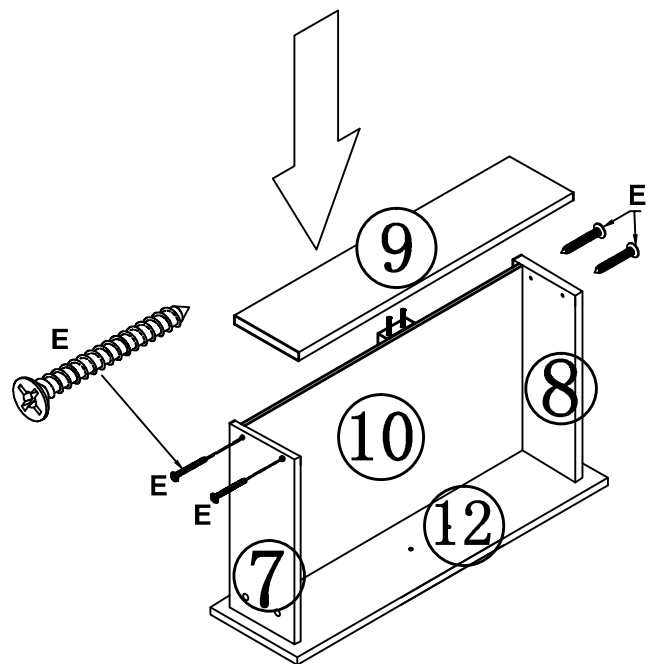
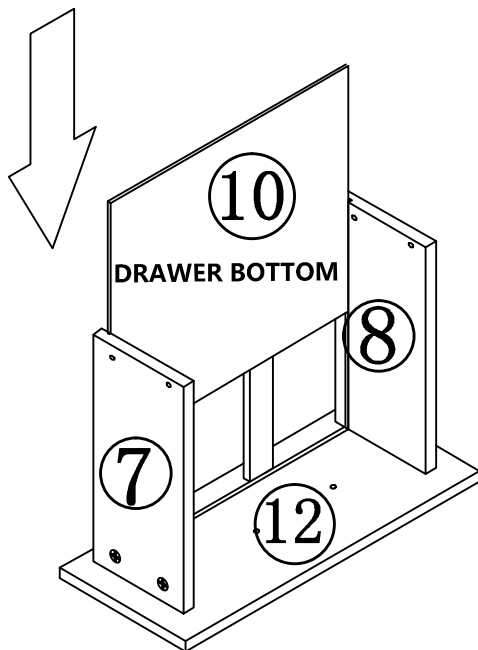
STEP 14



Repeat the process for all 3 drawers

STEP 15

E  12 PCS



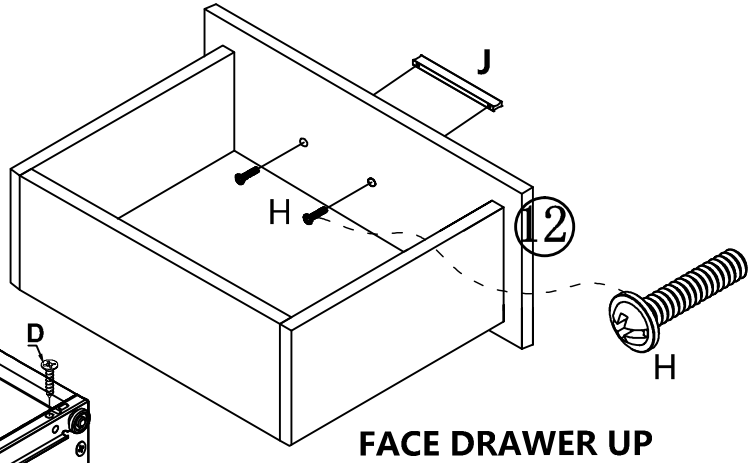
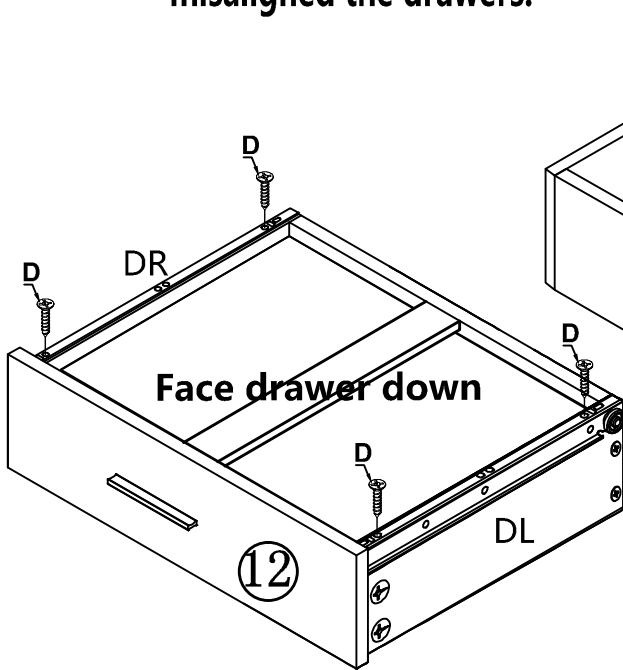
Repeat the process for all 3 drawers

STEP 16

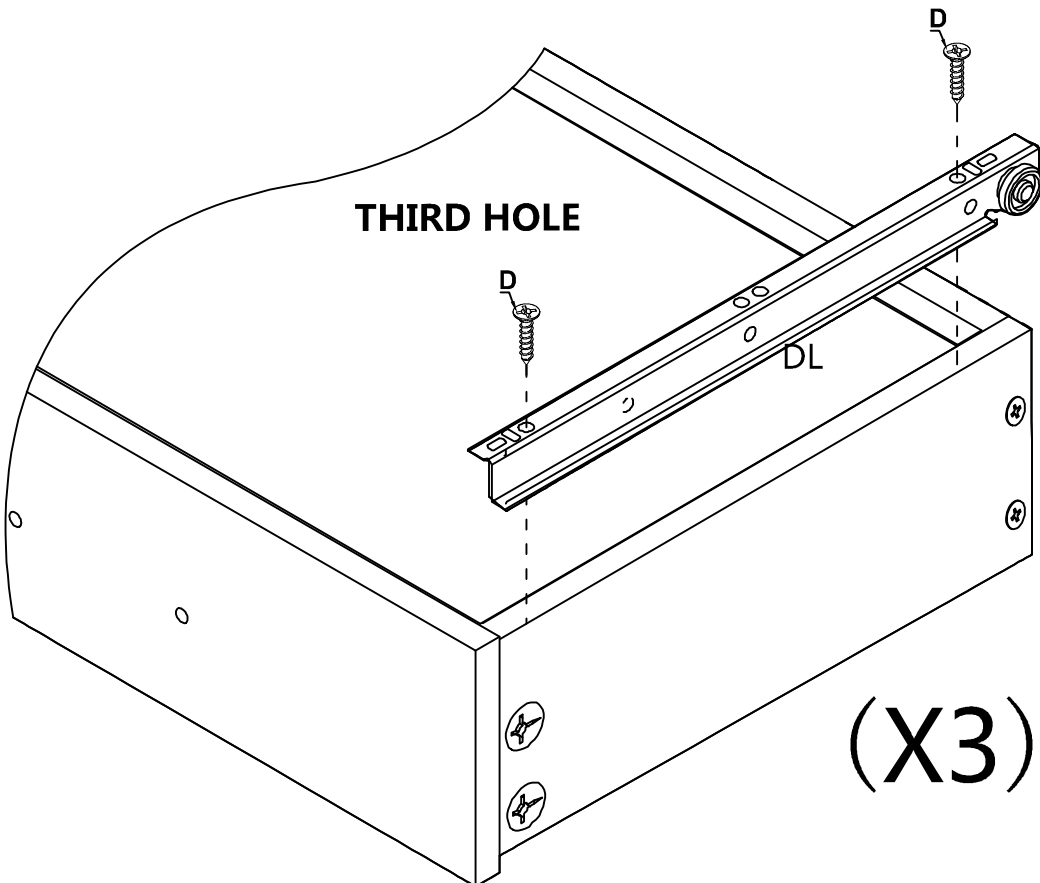


Pls turn the drawer upside down to fit the runners and make sure the runner wheels go at the **BACK** of the drawers, failure to assemble correct way will misaligned the drawers.

J		3 PCS
H		6 PCS
D		12 PCS
DR		3 PCS
DL		3 PCS

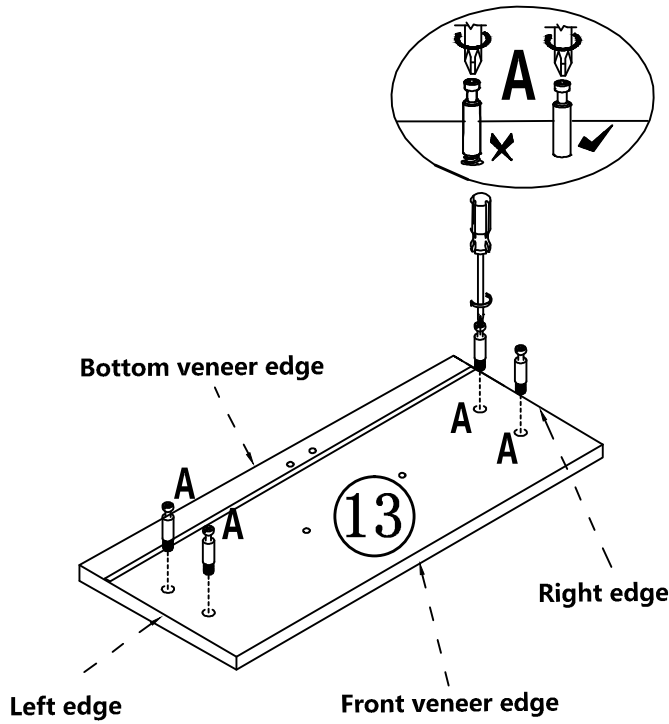


LAST THIRD HOLE




STEP 17

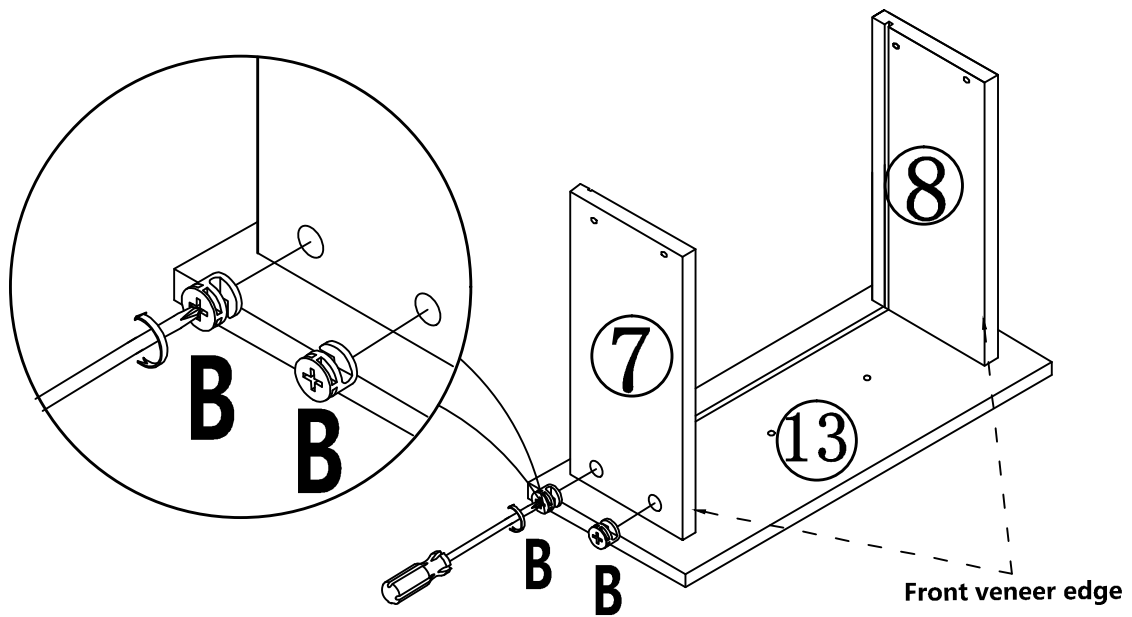
A  12 PCS



Repeat the process for all 3 drawers

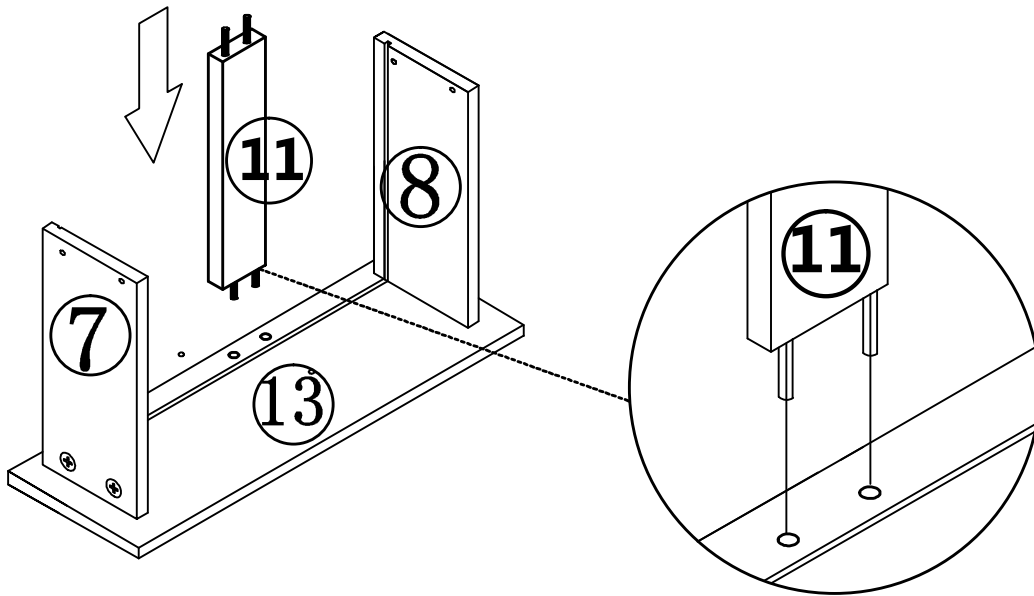
STEP 18

B  12 PCS



Repeat the process for all 3 drawers

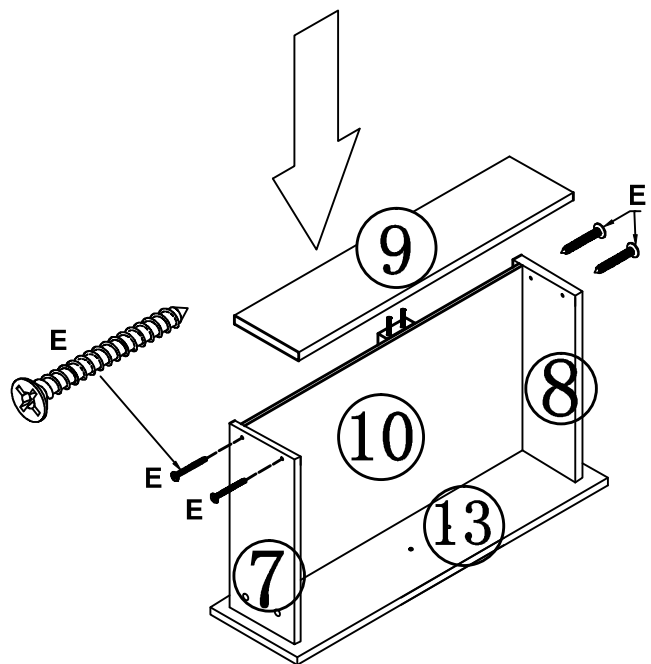
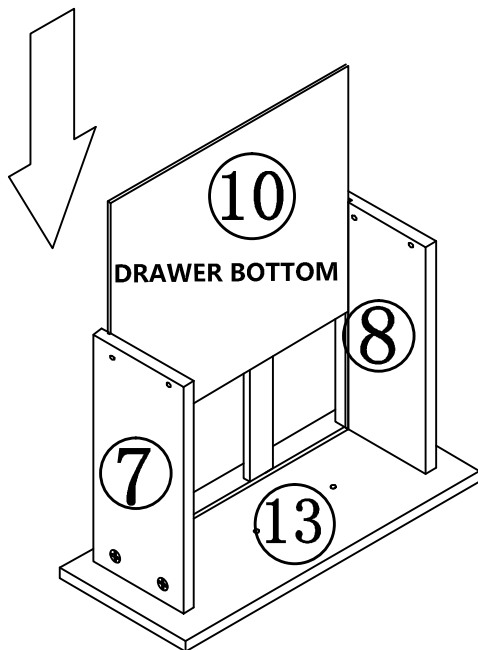
STEP 19



Repeat the process for all 3 drawers






STEP 20

E  12 PCS



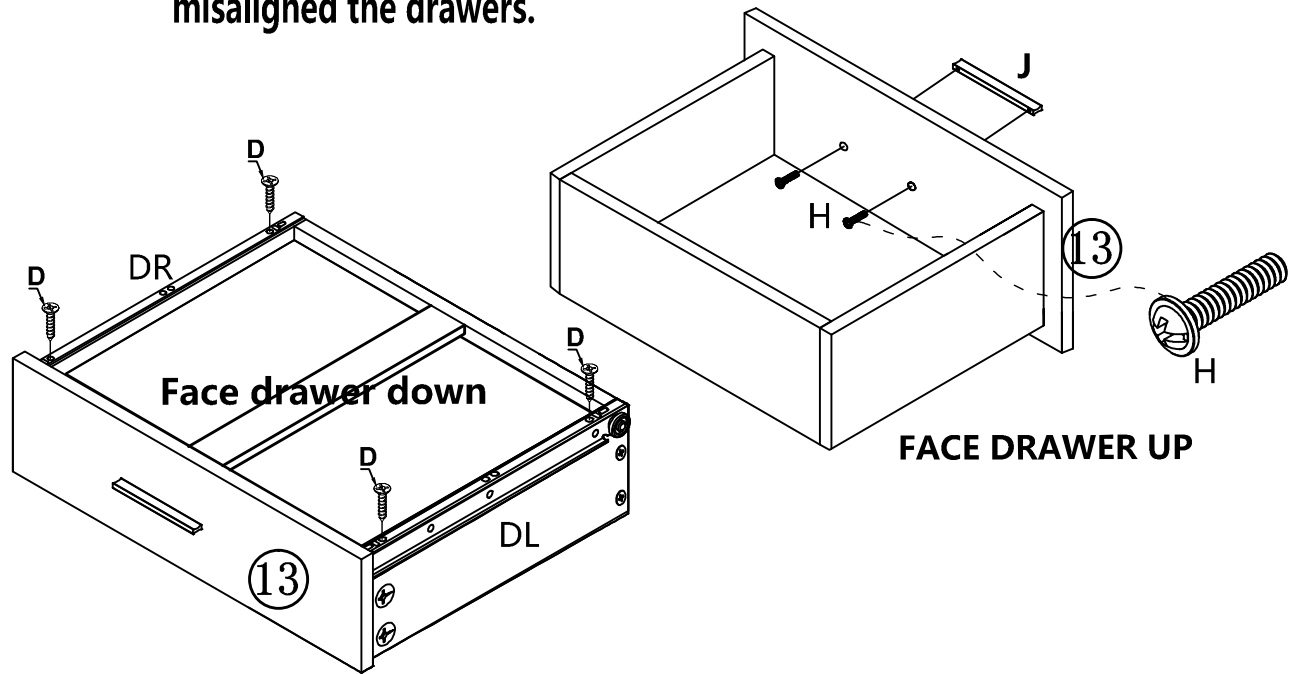
Repeat the process for all 3 drawers

STEP 21

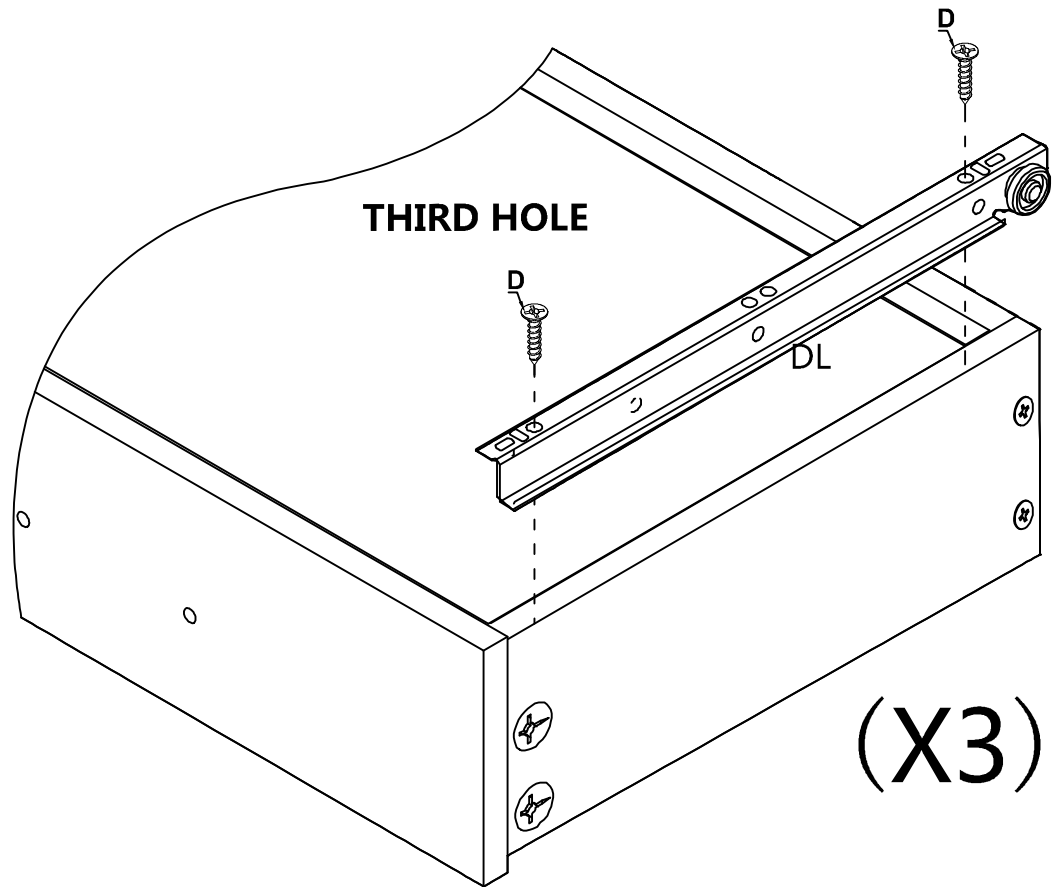
J		3 PCS
H		6 PCS
D		12 PCS
DR		3 PCS
DL		3 PCS



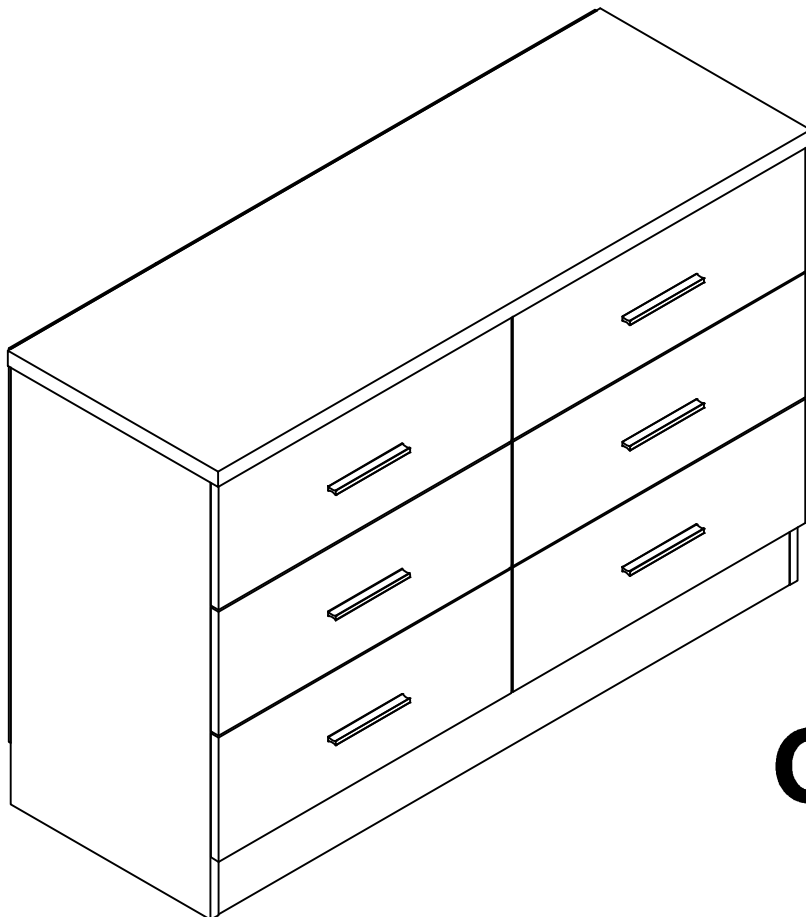
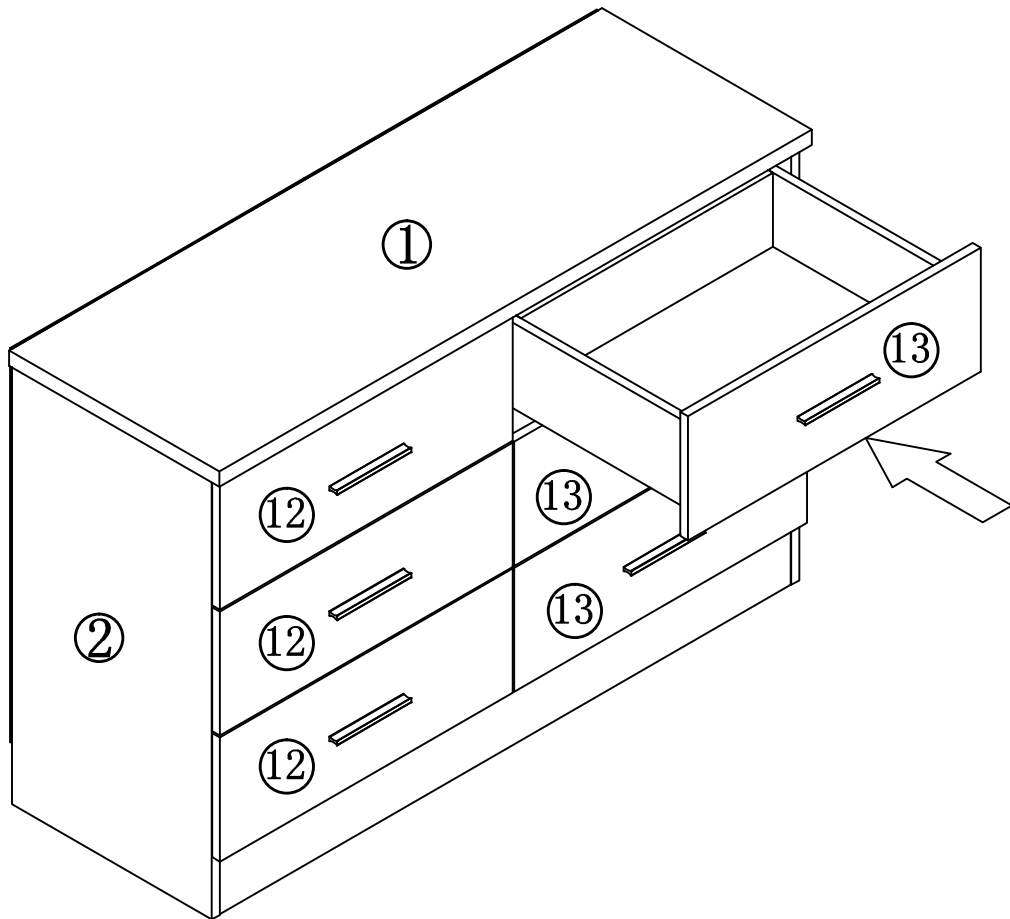
Pls turn the drawer upside down to fit the runners and make sure the runner wheels go at the **BACK** of the drawers, failure to assemble correct way will misaligned the drawers.



LAST THIRD HOLE



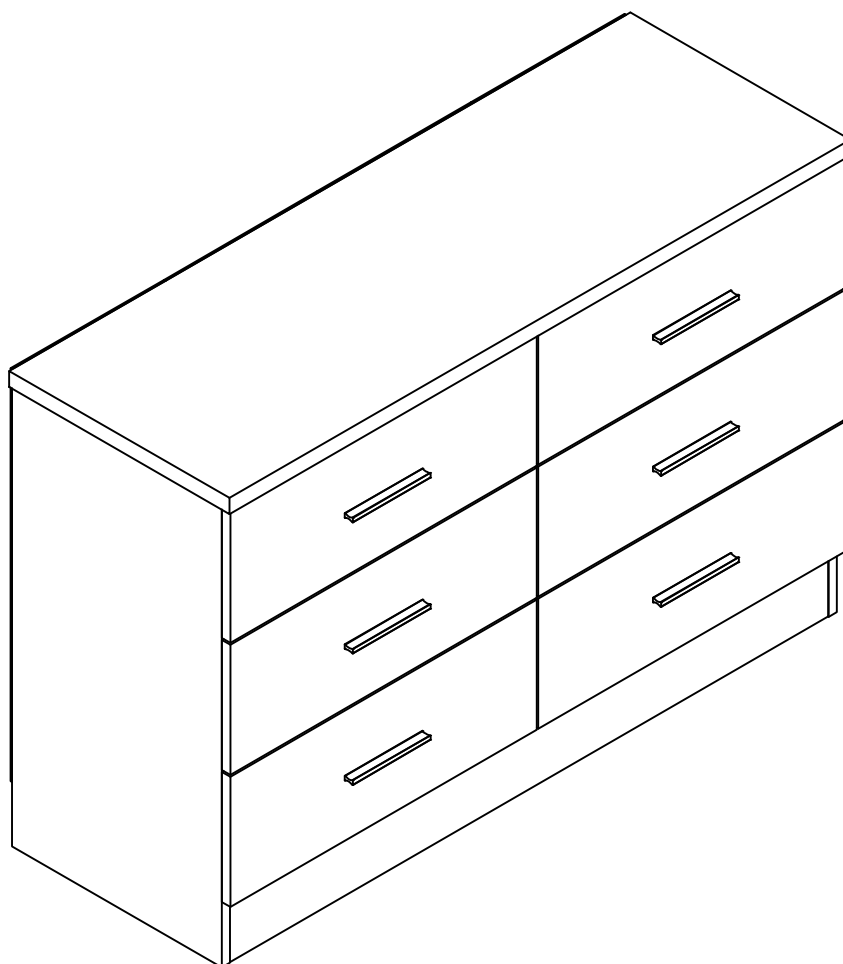
STEP 22



OK

Your **6(3+3) DRAWER CHEST** is now completely assembled

Periodically check to ensure that the components are in their proper position , free from damage. Also make sure the connectors are tight and secure.



Keep instructions for future reference

