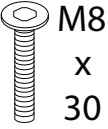
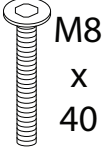
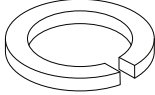
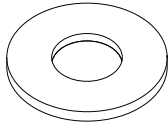
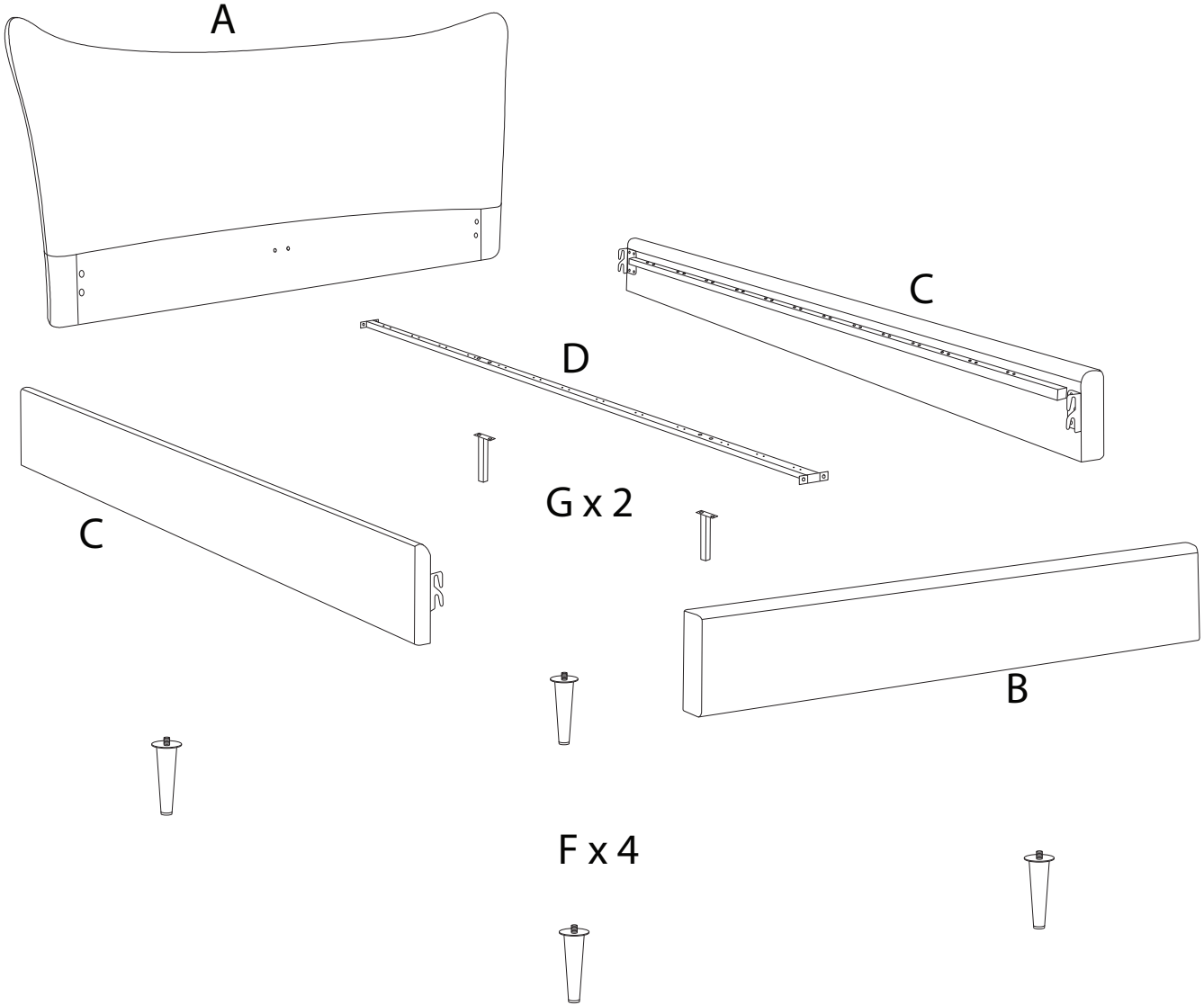



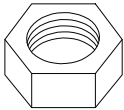
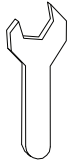


Assembly instructions for step 1/7:

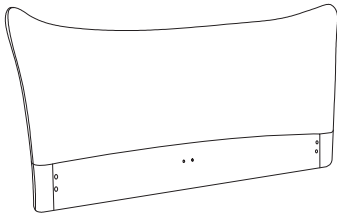
- Tools:** An icon in a circle shows an Allen key and a wrench. A power drill icon is crossed out with a diagonal line, indicating it should not be used.
- Warning:** A triangle with an exclamation mark points to the instructions.
- Time:** A clock icon is shown with the number **40'** below it, indicating the estimated assembly time.
- Personnel:** An icon of a person is shown with the number **2** below it, indicating that two people are required for assembly.

<p><b>1</b></p>  <p>M8 x 30</p> <p><b>x 12</b></p>	<p><b>2</b></p>  <p>M8 x 40</p> <p><b>x 4</b></p>	<p><b>3</b></p>  <p><b>x 16</b></p>	<p><b>4</b></p>  <p><b>x 16</b></p>
---	--	---	--



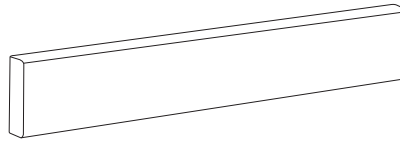
<p><b>5</b></p>  <p><b>x 1</b></p>	<p><b>6</b></p>  <p><b>x 4</b></p>	<p><b>7</b></p>  <p><b>x 1</b></p>
---	---	---

A



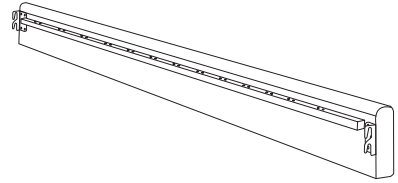
x 1

B



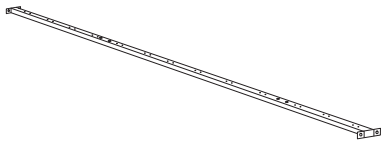
x 1

C



x 2

D



x 1

E



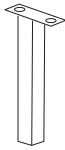
x 32

F



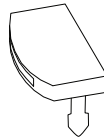
x 4

G



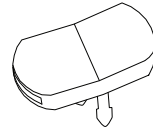
x 2

H



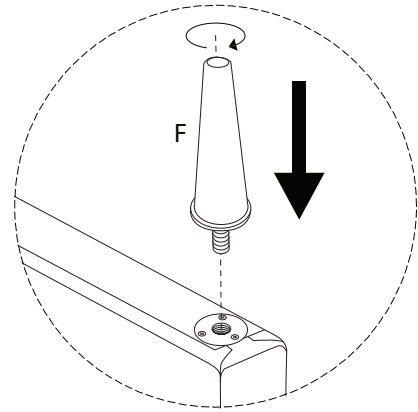
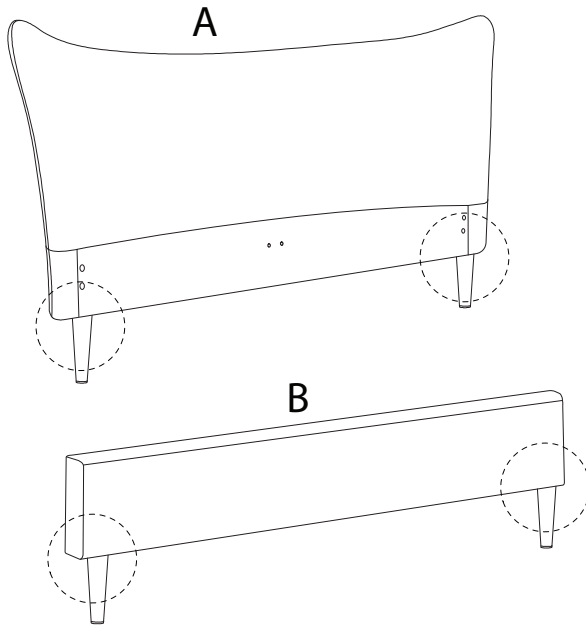
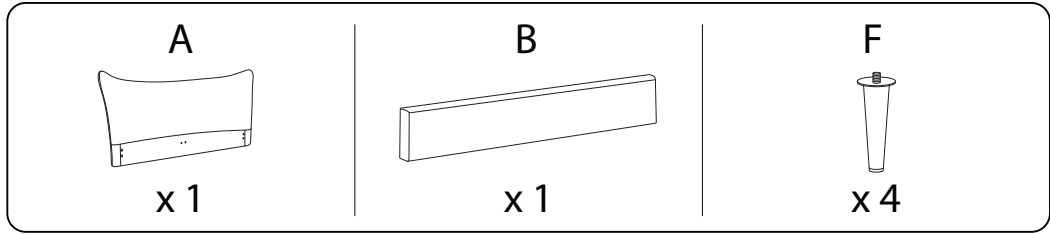
x 32

I

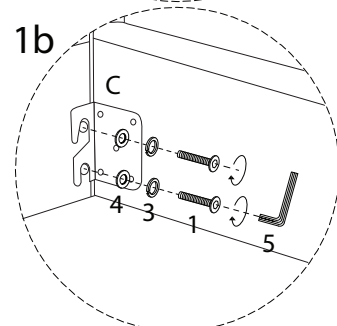
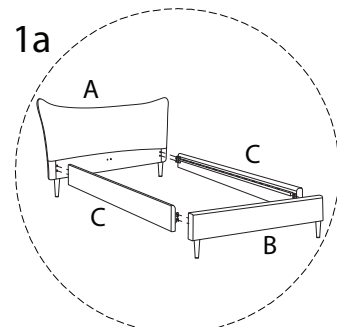
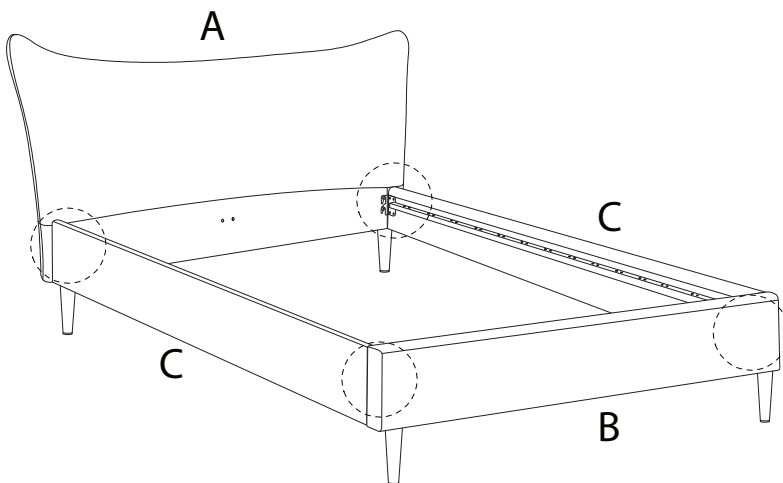
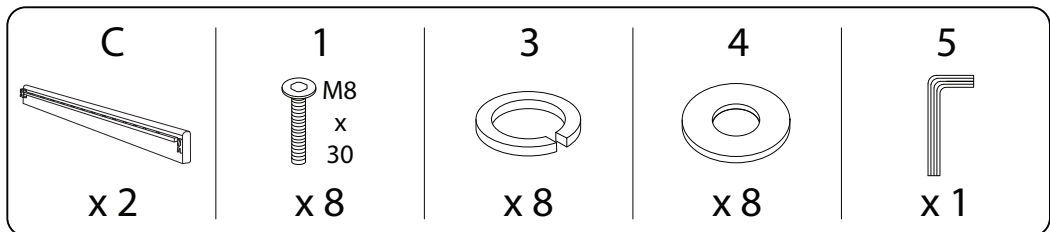


x 16


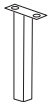

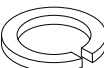

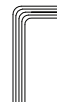
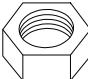

1

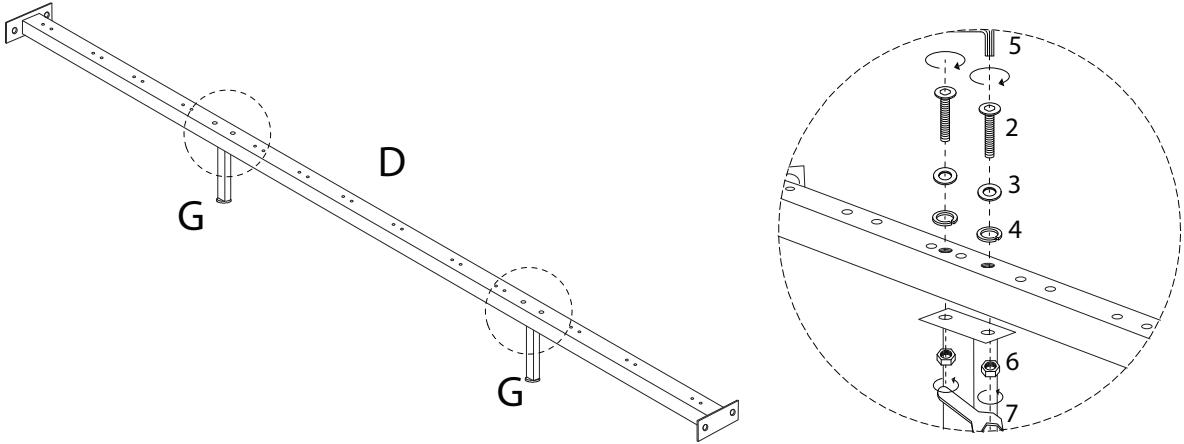


2


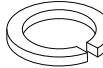

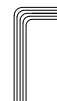


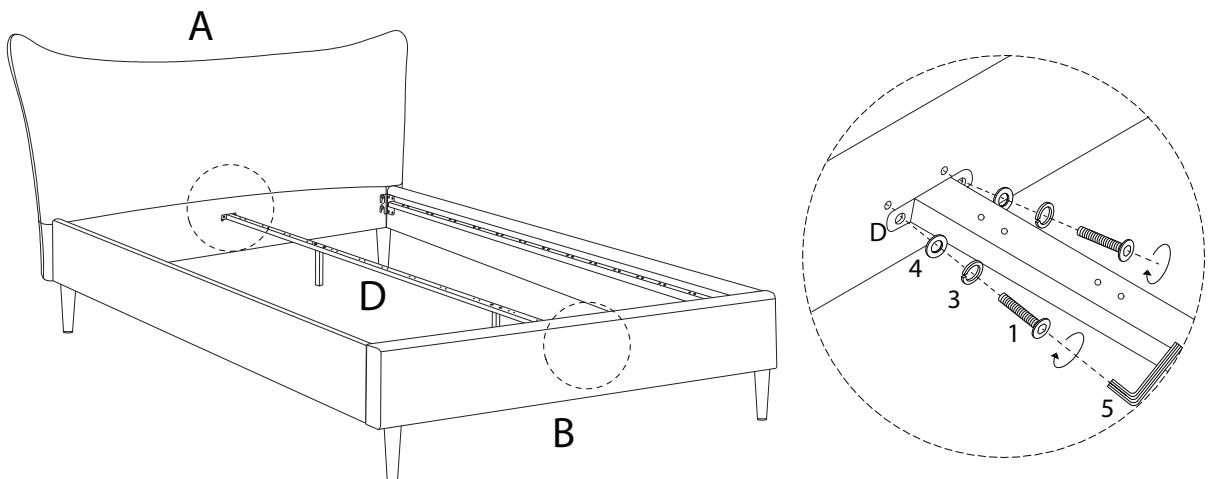
3

D	G	2	3	4	5	6	7
							
x 1	x 2	x 4	x 4	x 4	x 1	x 4	x 1

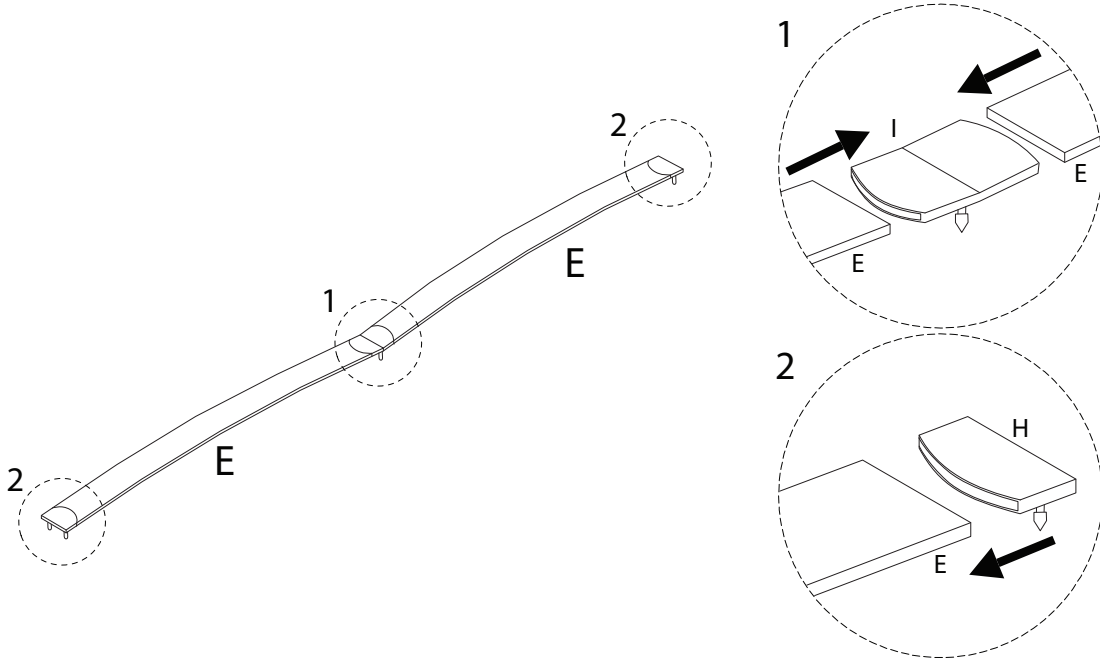
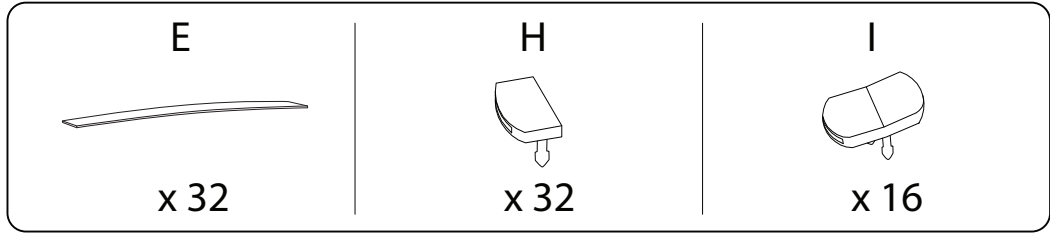


4

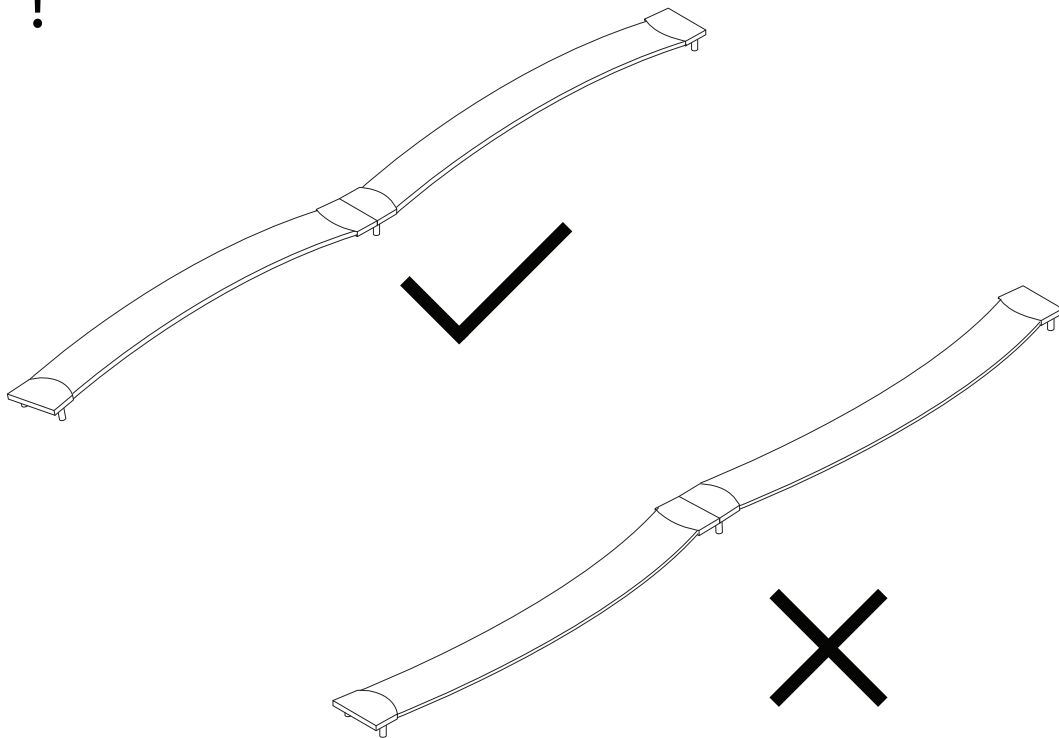
1	3	4	5
			
x 4	x 4	x 4	x 1



5 X 16



!



6

