


 A x30  
6x35mm


 B x10  
4x30mm


 C x30  
15x10mm

 D x28  
8x30mm

 E x1  
3x14mm

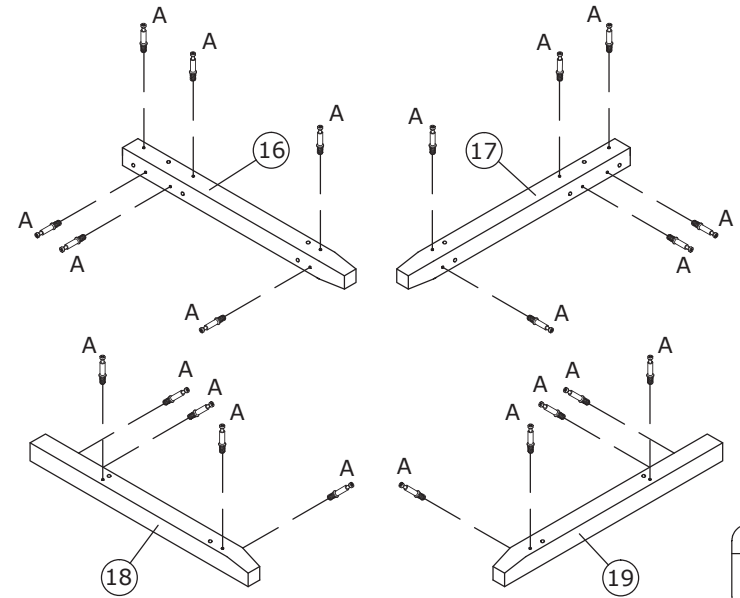
 F x1


 G x2  
3x14mm

 H x1  
32x80mm

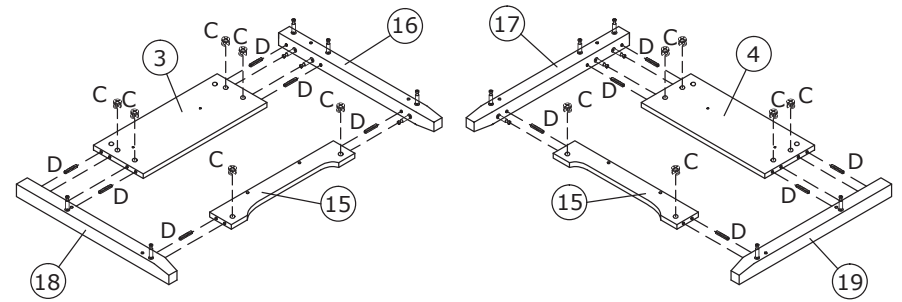
02


1




A x22  
 6x35mm

2

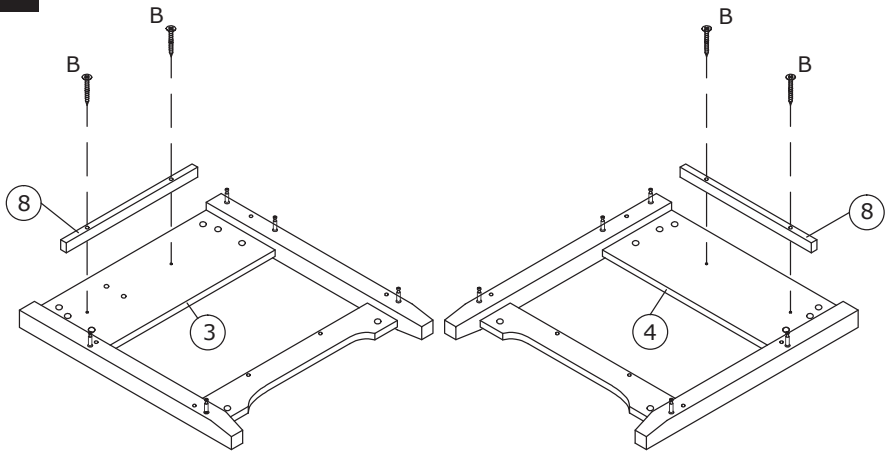



C x12  
 15x10mm

D x12  
 8x30mm

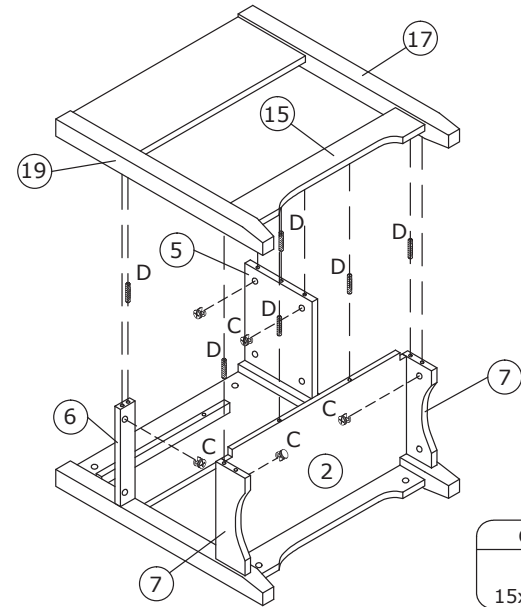
03



3



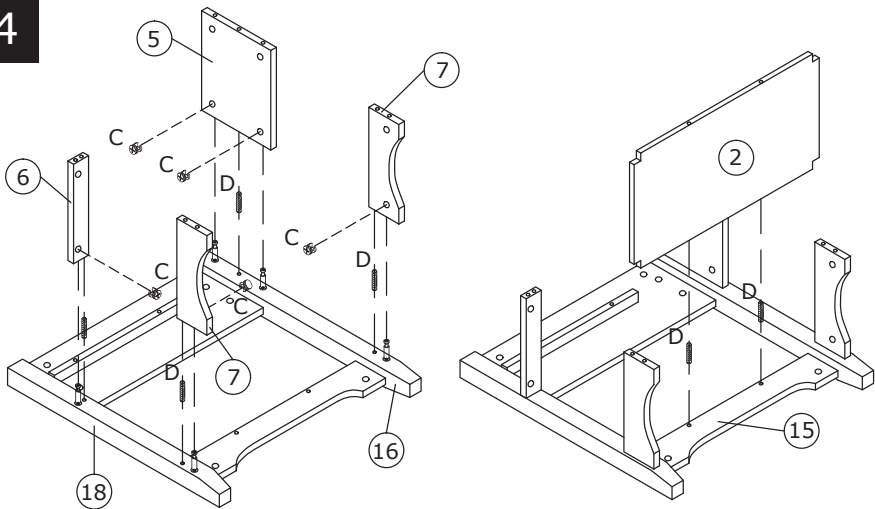
B x4
 4x30mm



5



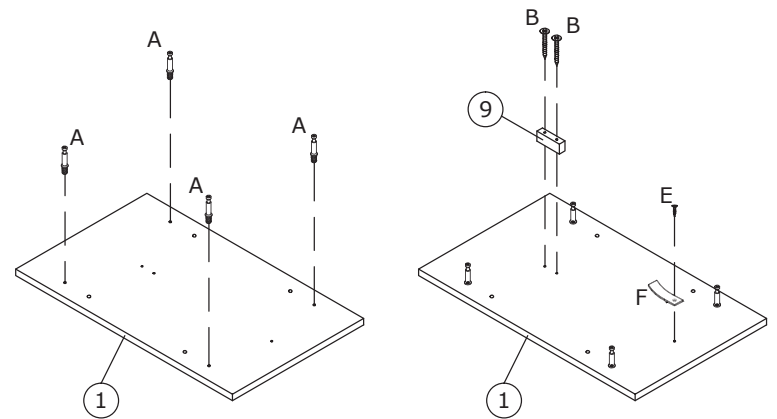
C x5	D x6
 15x10mm	 8x30mm





4



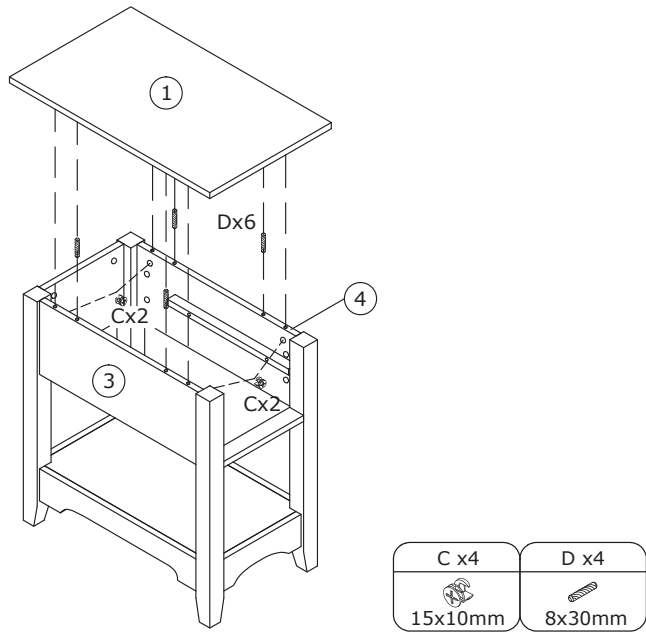
C x5	D x6
 15x10mm	 8x30mm

6

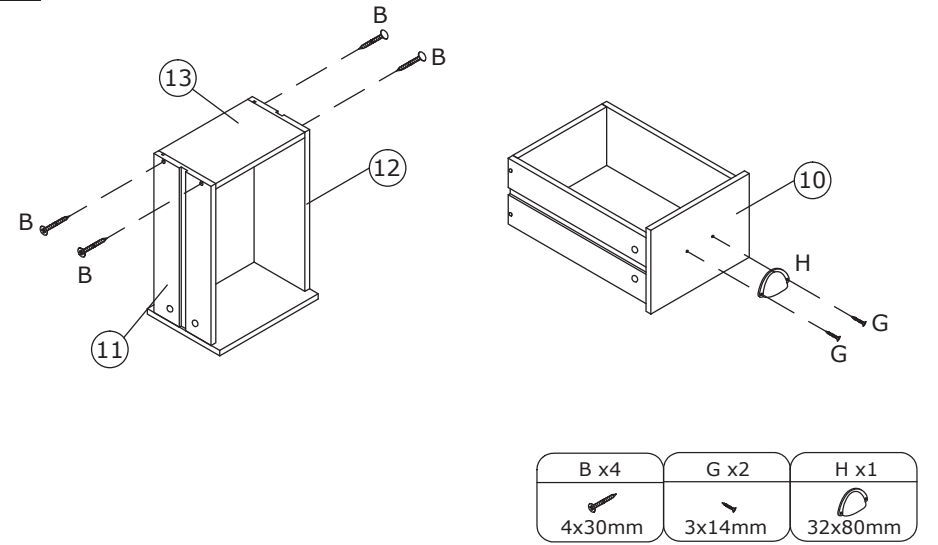


A x4	B x2	E x1	F x1
 6x35mm	 4x30mm	 3x14mm	

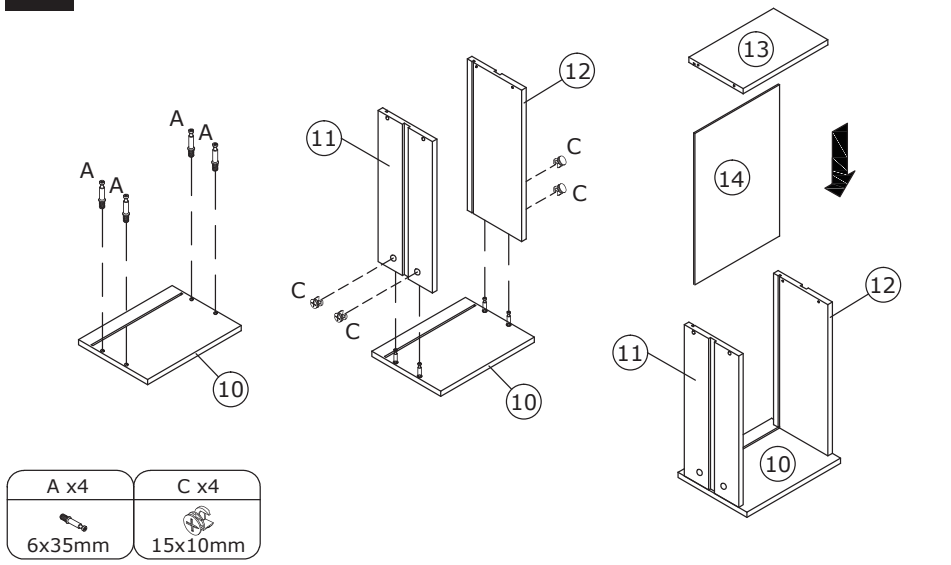
7



9

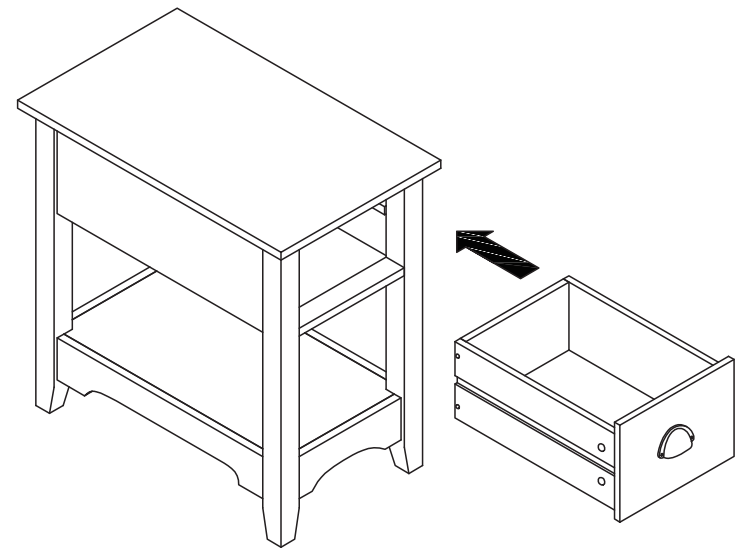


8



06

10



07