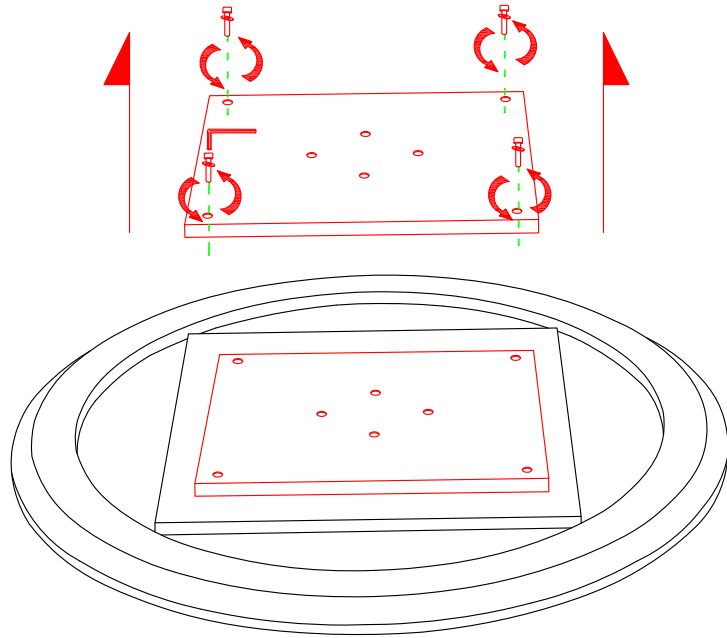
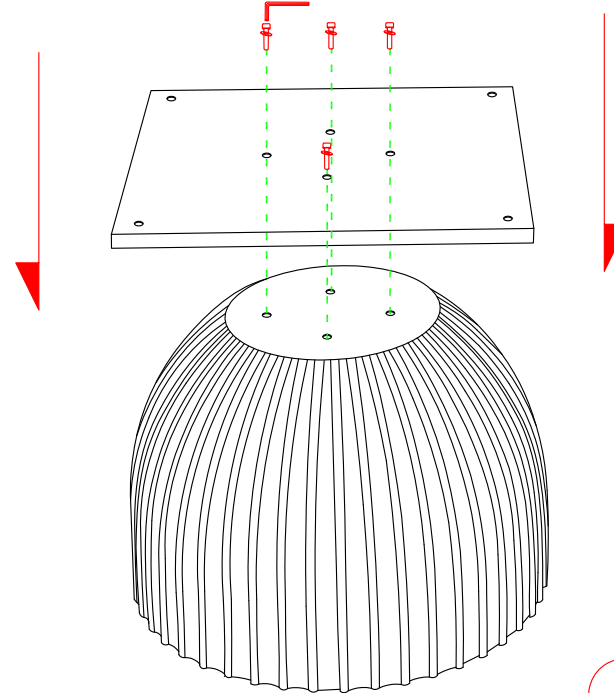


Installation Instructions

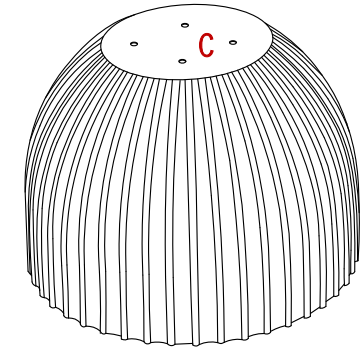


1 Detach B from A.

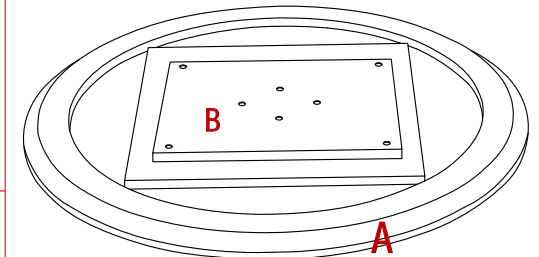


Attach B to the top of C

PARTS LIST



1pcs



1pcs



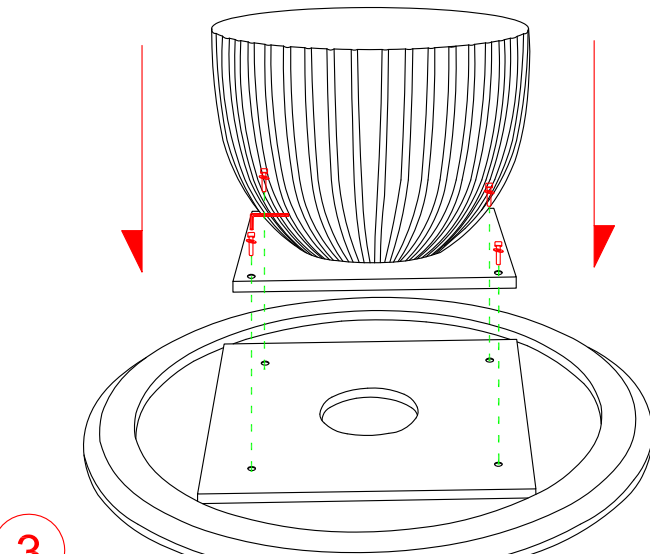
1pcs



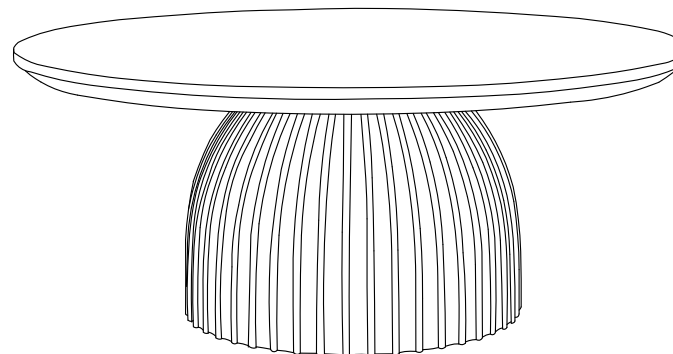
8pcs



8pcs



3 Install the top and bottom sections together as instructed



4 Suggest that two people turn the table upside down