



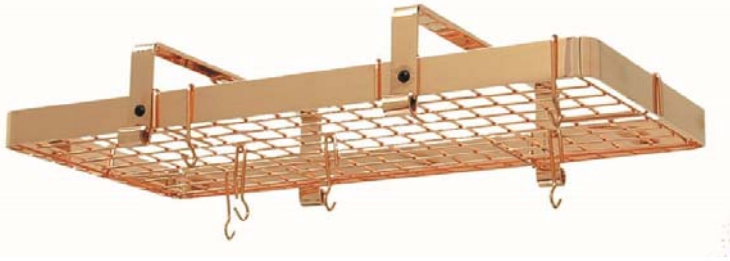
## PR13-LOW CEILING RECTANGULAR RACK

Thank you for choosing Enclume!

Enclume racks are the ultimate in quality, design, strength and function.

**WARNING: READ ALL OF THE INSTRUCTIONS BEFORE ASSEMBLING AND USING YOUR RACK**

If you need help, please call 1-877-ENCLUME  
Enclume Design Products  
24 Colwell Street, Port Hadlock, WA 98339  
Phone 360-385-6100 • Fax 360-385-6156  
[www.enclume.com](http://www.enclume.com)



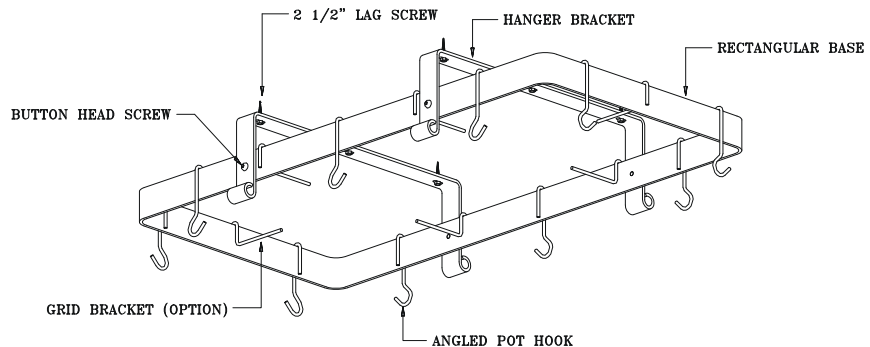
Enclosed you will find everything needed for the assembly and use of your storage rack. Two people make assembly and installation easier. The parts and hardware included are:

**Hardware included:**

- 4 – 3/8" x 1/2" Button Head Screw
- 6 – 2 1/2" Lag Screw
- 1 – 7/32" Hex Key

**Components included:**

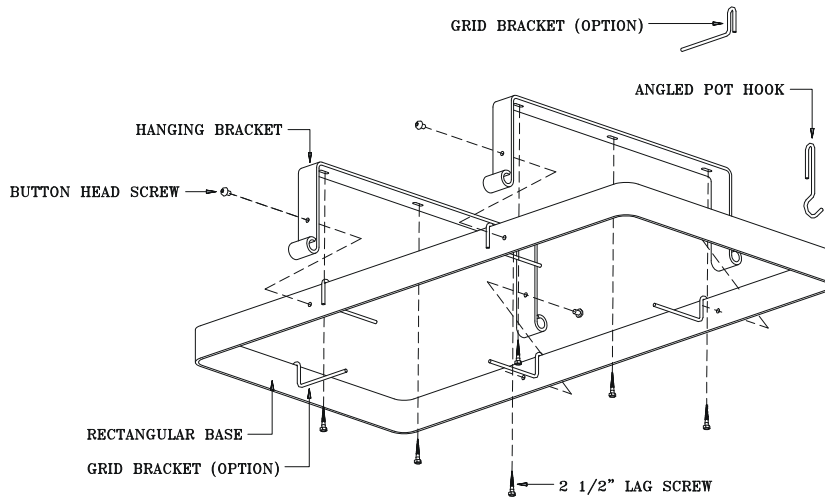
- 1 – Rectangular Base
- 2 – Hanging Brackets
- 12 – Angled Pot Hooks



If you have also purchased a grid (may be sold and packaged separately) you will also have received:

- 1 – Grid
- 6 – Pot Hooks
- 6 – Grid Brackets

See reverse side for **ASSEMBLY AND INSTALLATION INSTRUCTIONS**



## ASSEMBLY AND INSTALLATION INSTRUCTIONS

### Rack Assembly

- 1) If your rack is plated, it is best to keep the tissue on during installation to avoid fingerprinting.
- 2) Using the four button head screws and the Allen wrench, attach the two hanging brackets to the outside of the rectangular base and tighten securely. The assembly is now complete.
- 3) Your rack must be anchored into solid wood of ceiling joists or beams. Plasterboard or wall fasteners **will not** work and should **not** be used. Carefully measure the area where the rack is to be hung and install with the lag screws. Your local hardware store can advise you if special hardware is needed for your particular kitchen.
- 4) Distribute your cookware evenly around the rack.

### Grid Insertion (if you have not purchased a grid, please continue on the rack assembly instructions)

- 1) Slip the 6 grid brackets over the rectangular base with the "L" portion pointing to the inside. Center one bracket on each end and on the inside of each hanging bracket.
- 2) Place the grid on the brackets. You are now ready to assemble the rack.
- 3) Hang you pot hooks from interior squares only. **Do not** hang them from the perimeter or the cut portions of the grid. Distribute your cookware evenly.



It is important that your rack is assembled correctly. If the unit is assembled or used incorrectly, it could become unstable and collapse, possibly causing injury.

**Limited Warranty:** This product is warranted to be free of material defects for a period of five years from the date of purchase. Customer's exclusive remedy shall be the repair or replacement of the defective product and shall be subject to the following conditions: (1) notice of any defect is received by Enclume within the warranty period and (2) customer returns the defective product to Enclume Design Products, 24 Colwell St., Port Hadlock, WA 98339, *postage prepaid* within 20 days following a return authorization number (which may be obtained by telephoning the number at the top of this instructions) being provided to the customer by Enclume. There are no other warranties, expressed or implied. **THERE ARE NO WARRANTIES OF MERCHANTABILITY OR FITNESS FOR A PARTICULAR PURPOSE. ENCLUME SPECIFICALLY DISCLAIMS ANY AND ALL INCIDENTAL OR CONSEQUENTIAL DAMAGES ARISING OUT OF THE PURCHASE OR USE OF ENCLUME'S PRODUCTS.**