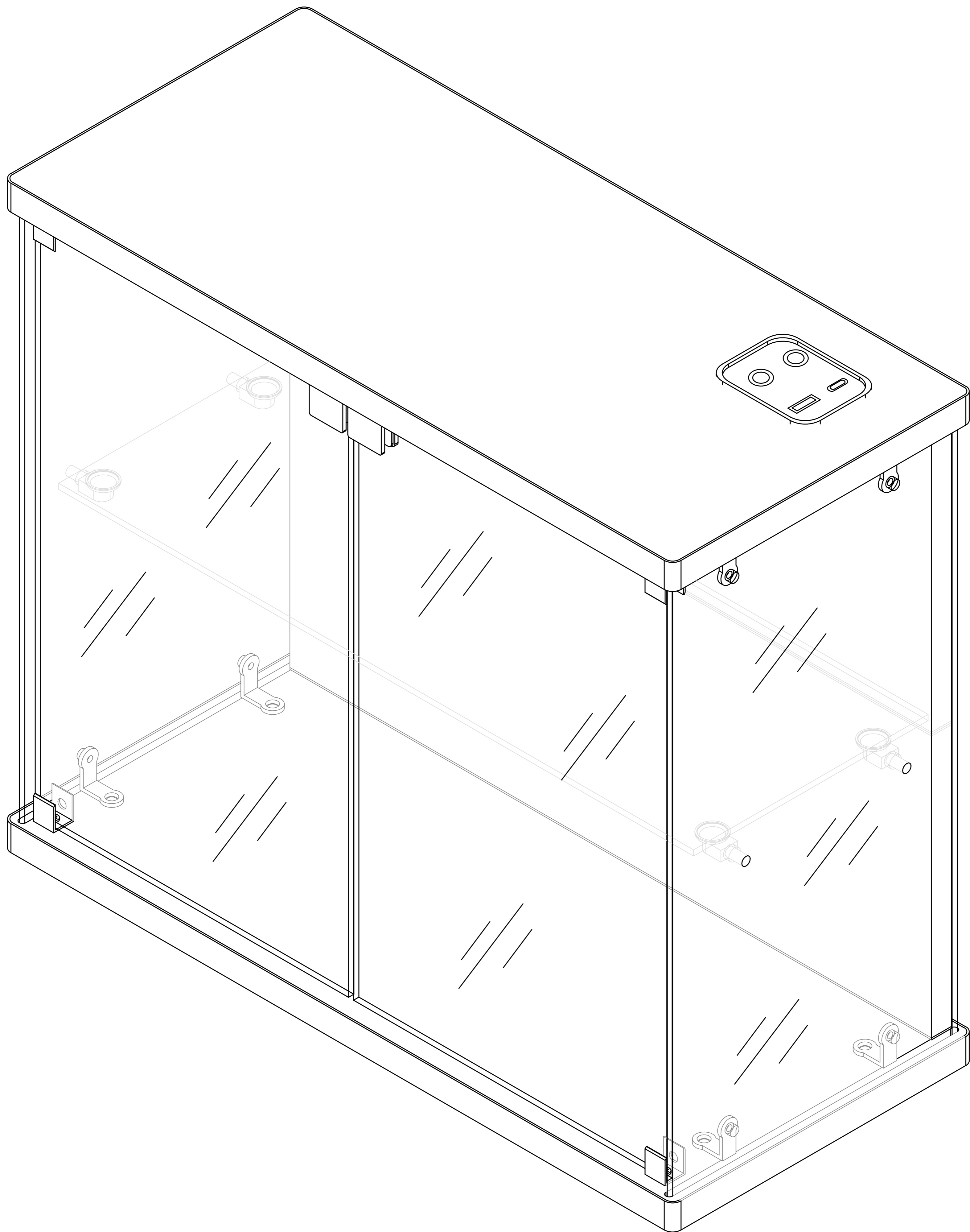
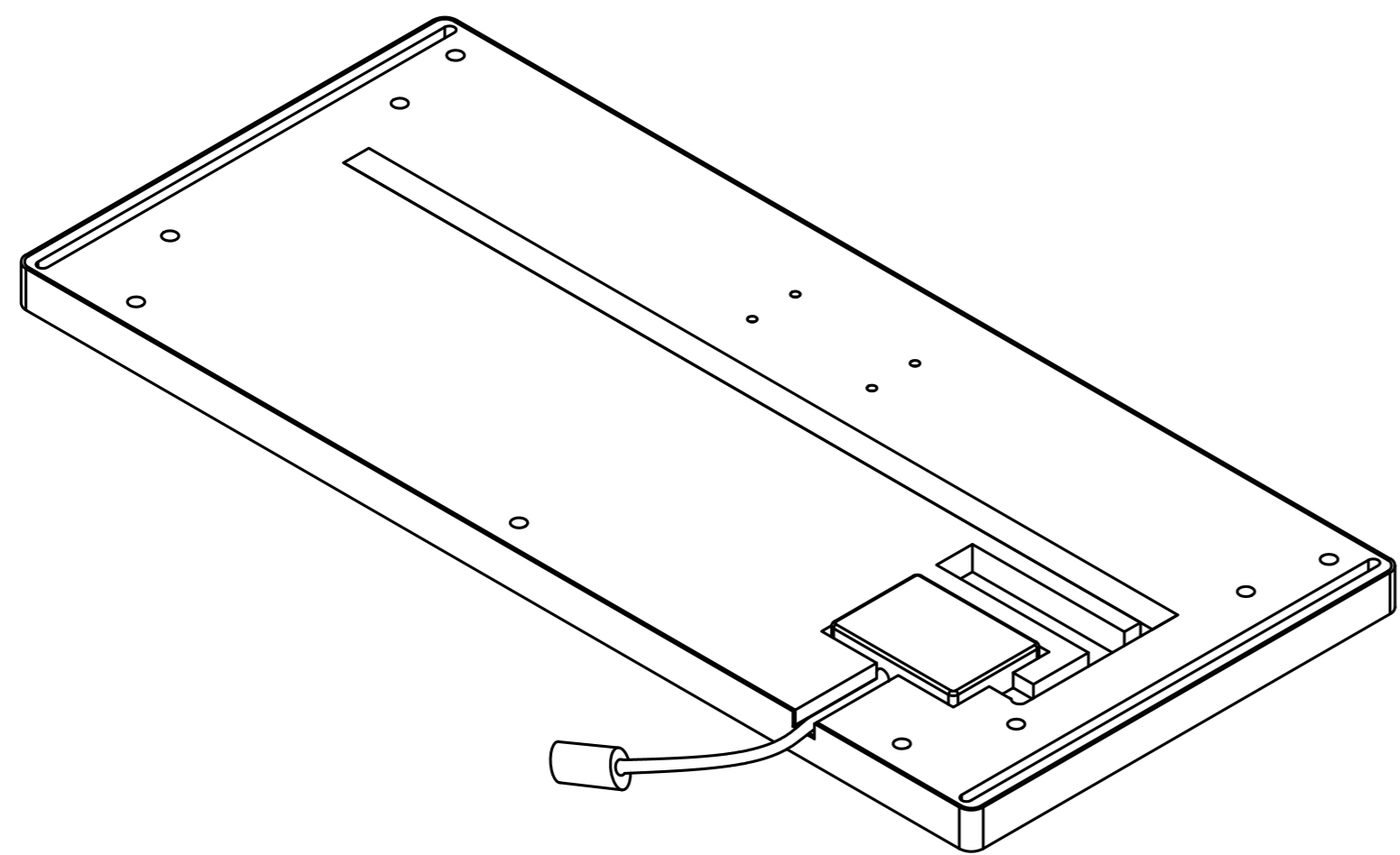
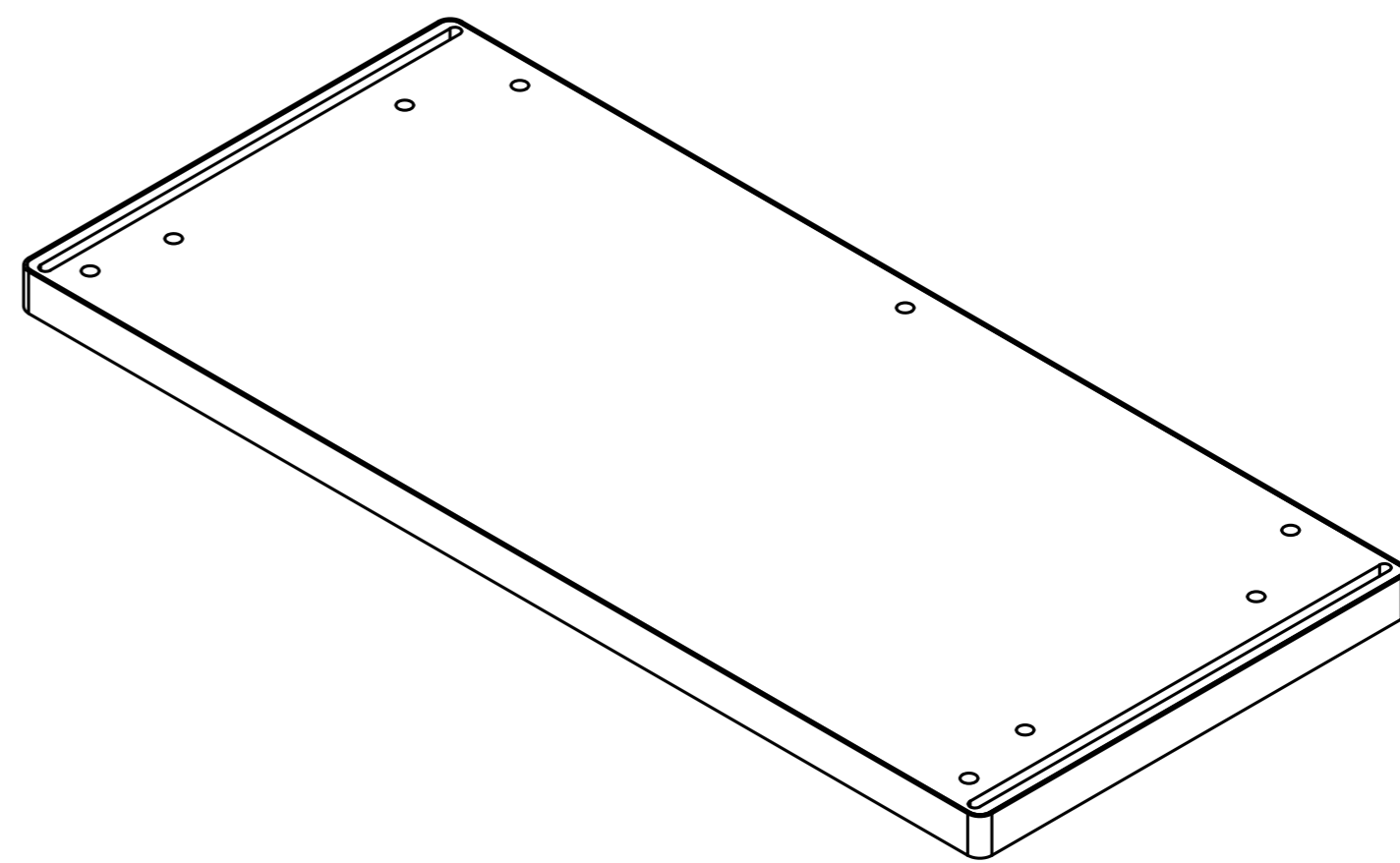


# Product Installation Instructions

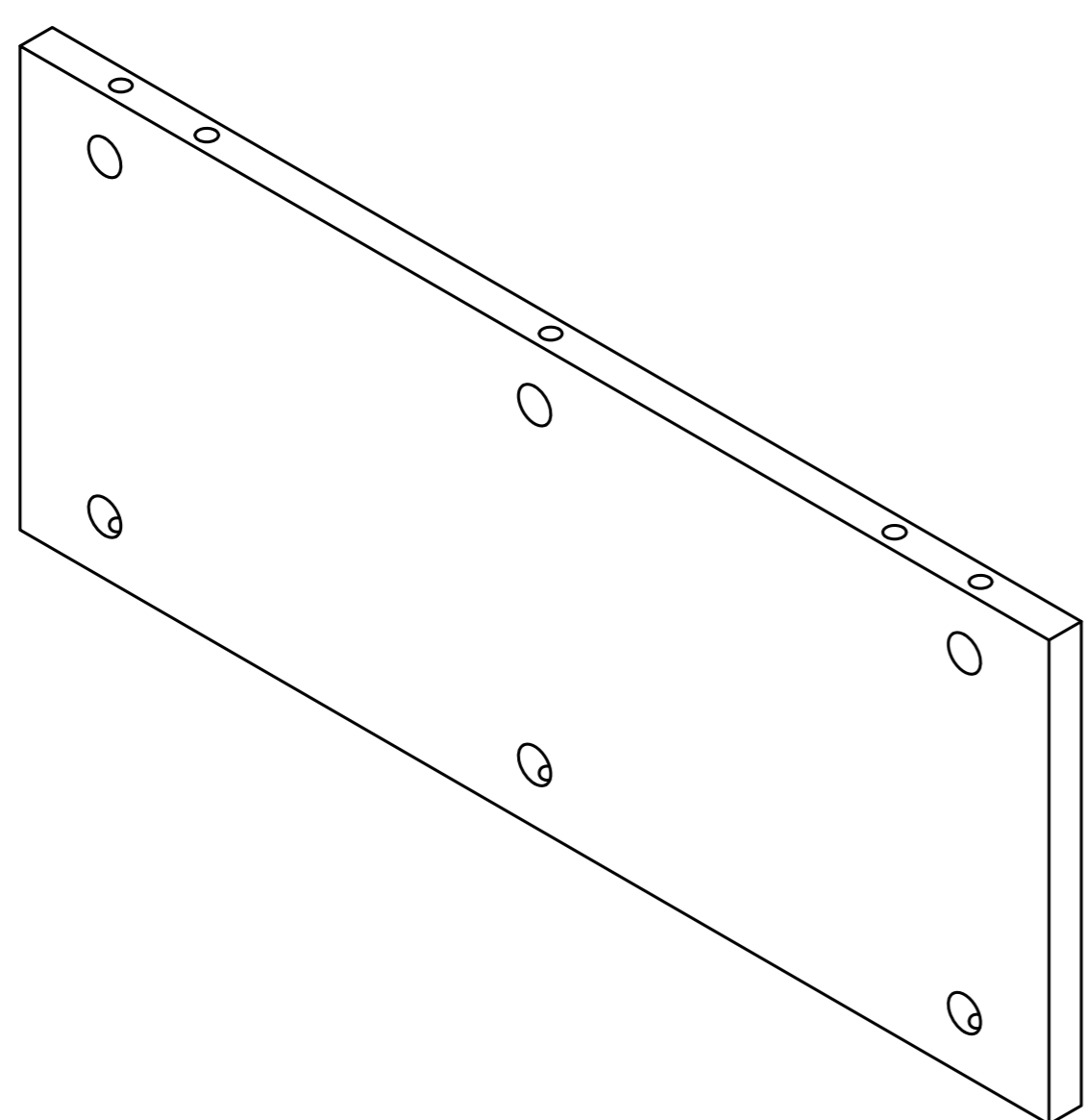




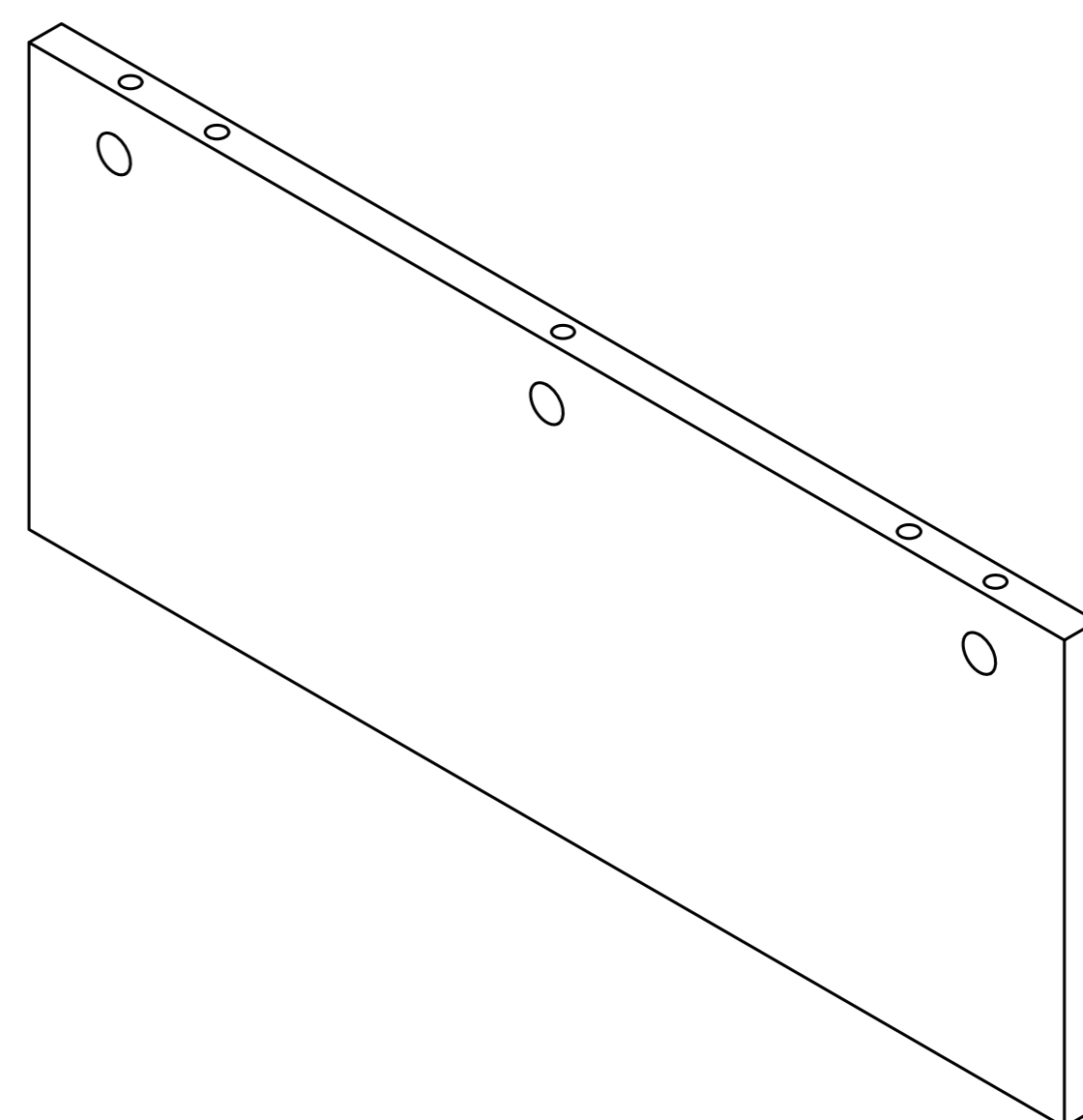
**1 x1**



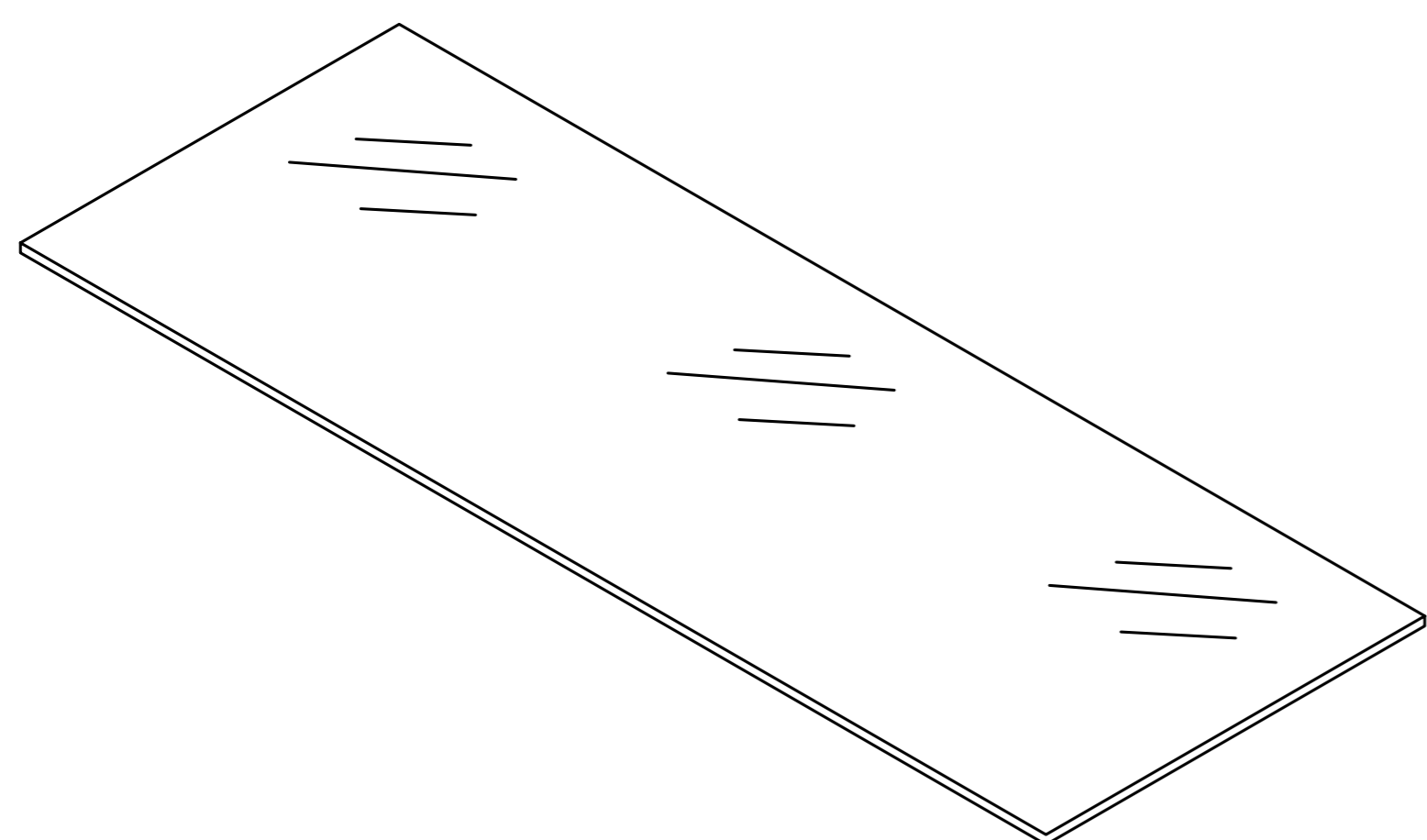
**2 x1**



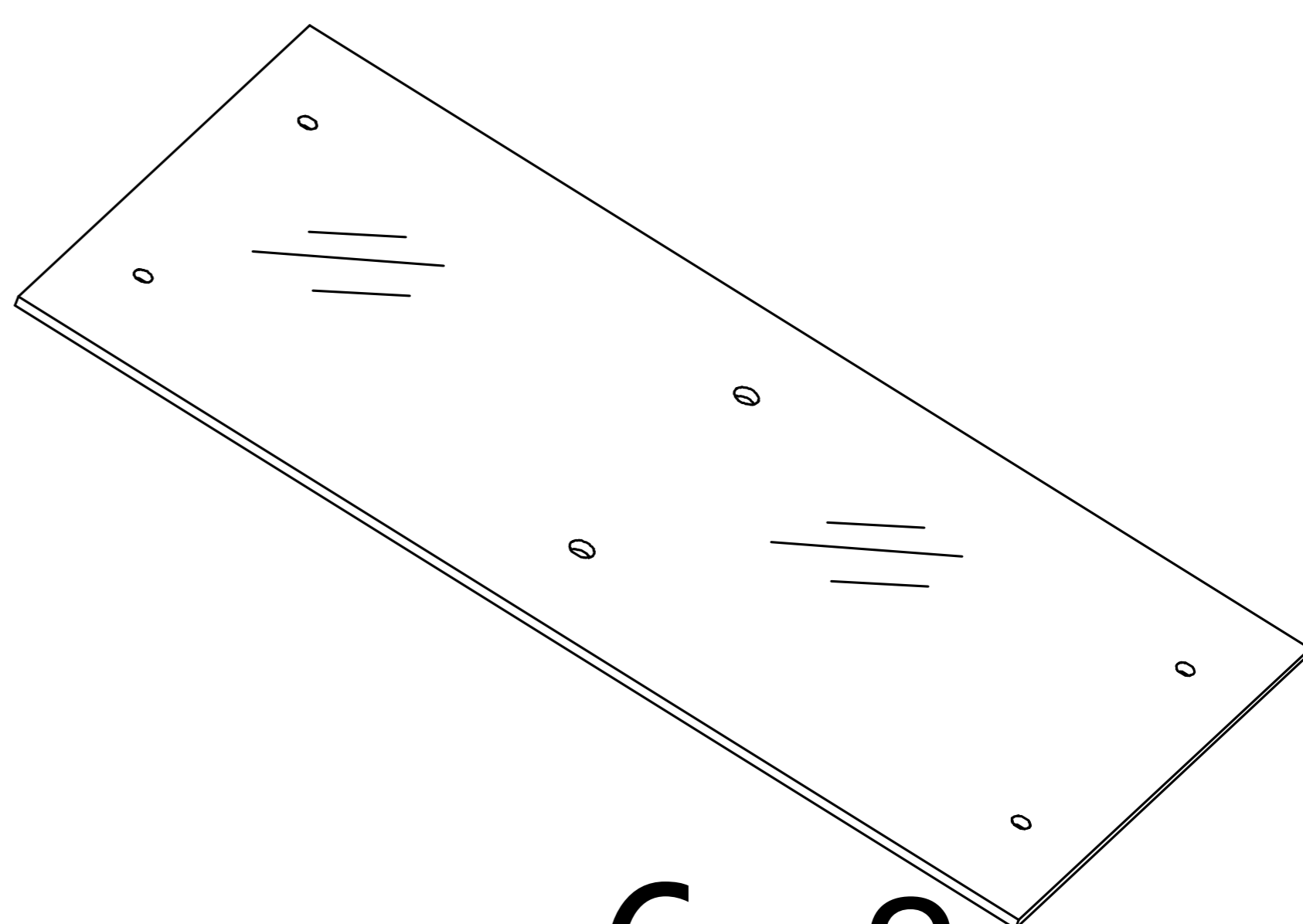
**3 x1**



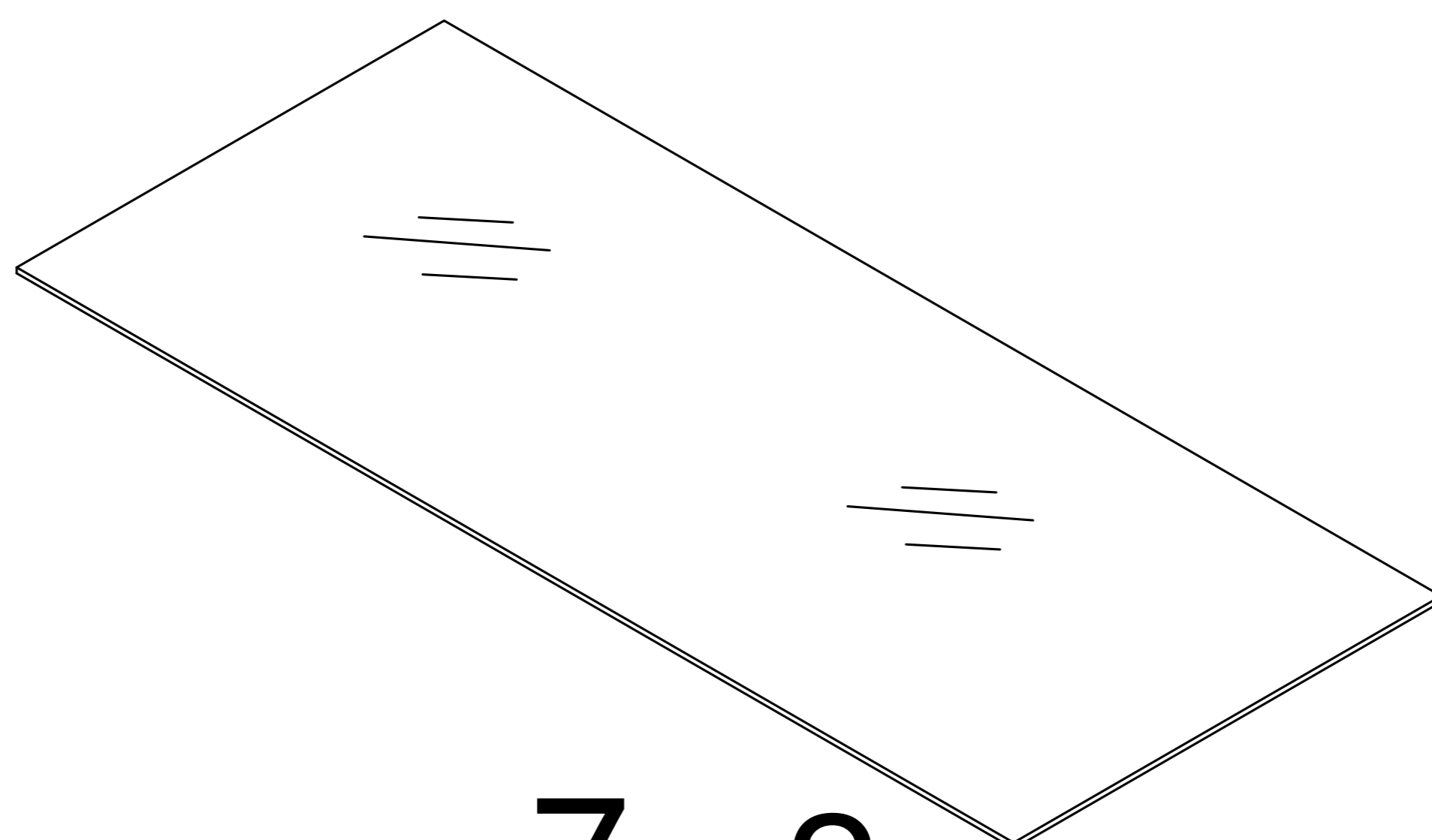
**4 x1**



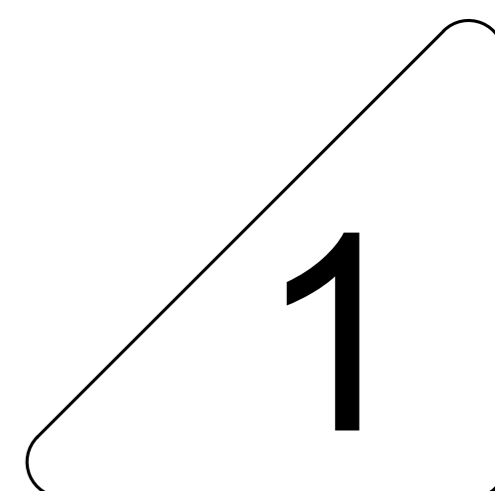
**5 x1**



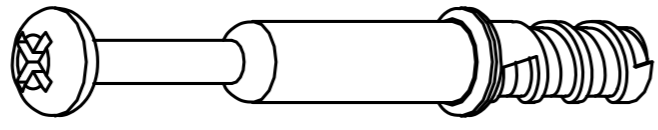
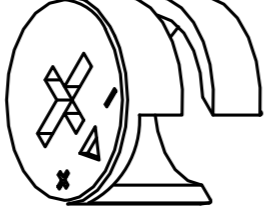
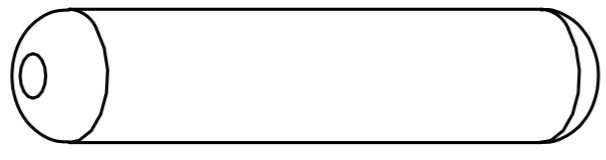
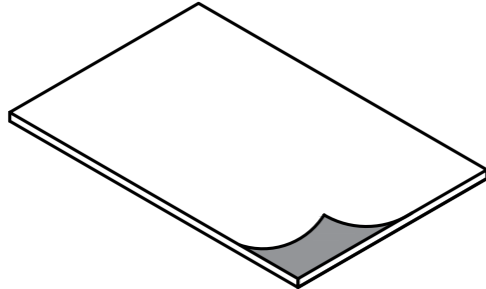
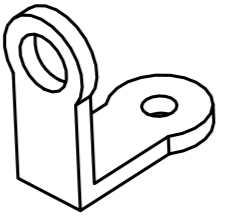

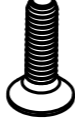
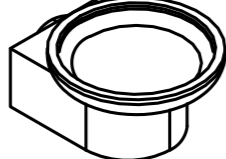

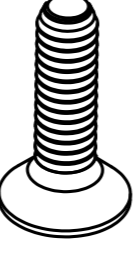
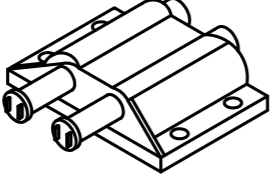
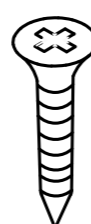
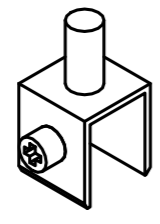
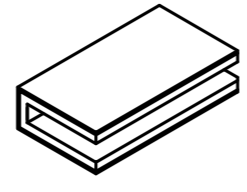
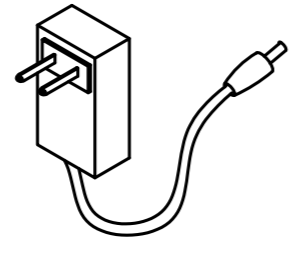
**6 x2**

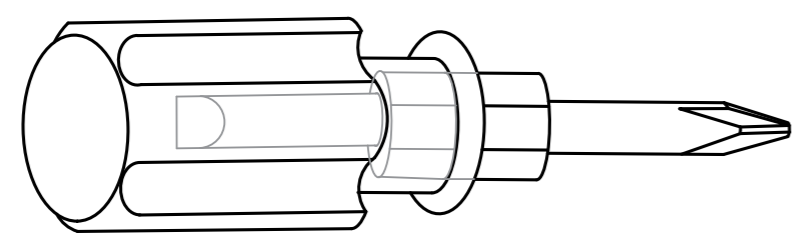


**7 x2**

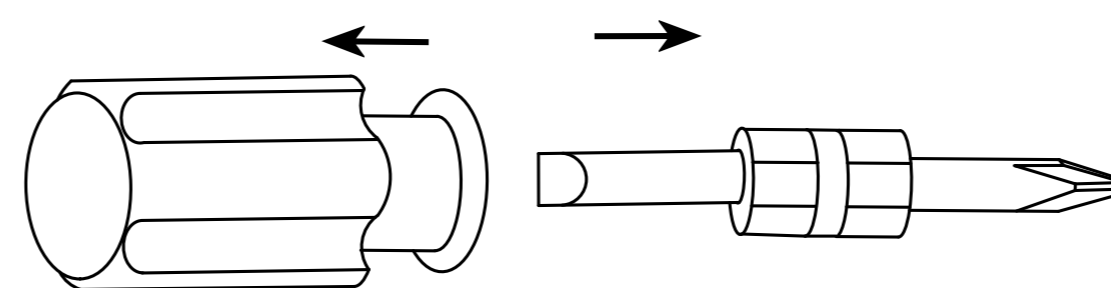


# Accessories list

A		Two in one screw (6x28mm)	9pcs +1pcs			
B		Two in one nut (10x12mm)	9pcs +1pcs			
C		Wood Chipping (6x30mm)	2pcs +1pcs			
D		Non-slip pads (50x10mm)	4pcs +2pcs			
E				Corner Bracket,,Screw (4x12mm)	8pcs 16pcs 16pcs +2pcs	
F				Laminate Support Nail Screw (6x18mm)	4pcs +1pcs	
G			Rebound device & Screw (3x16mm)			1pcs 4pcs +1pcs
			Iron sheet Hinge			4pcs 2pcs
		AC/DC Adapter (12V=2.0A)	1pcs			

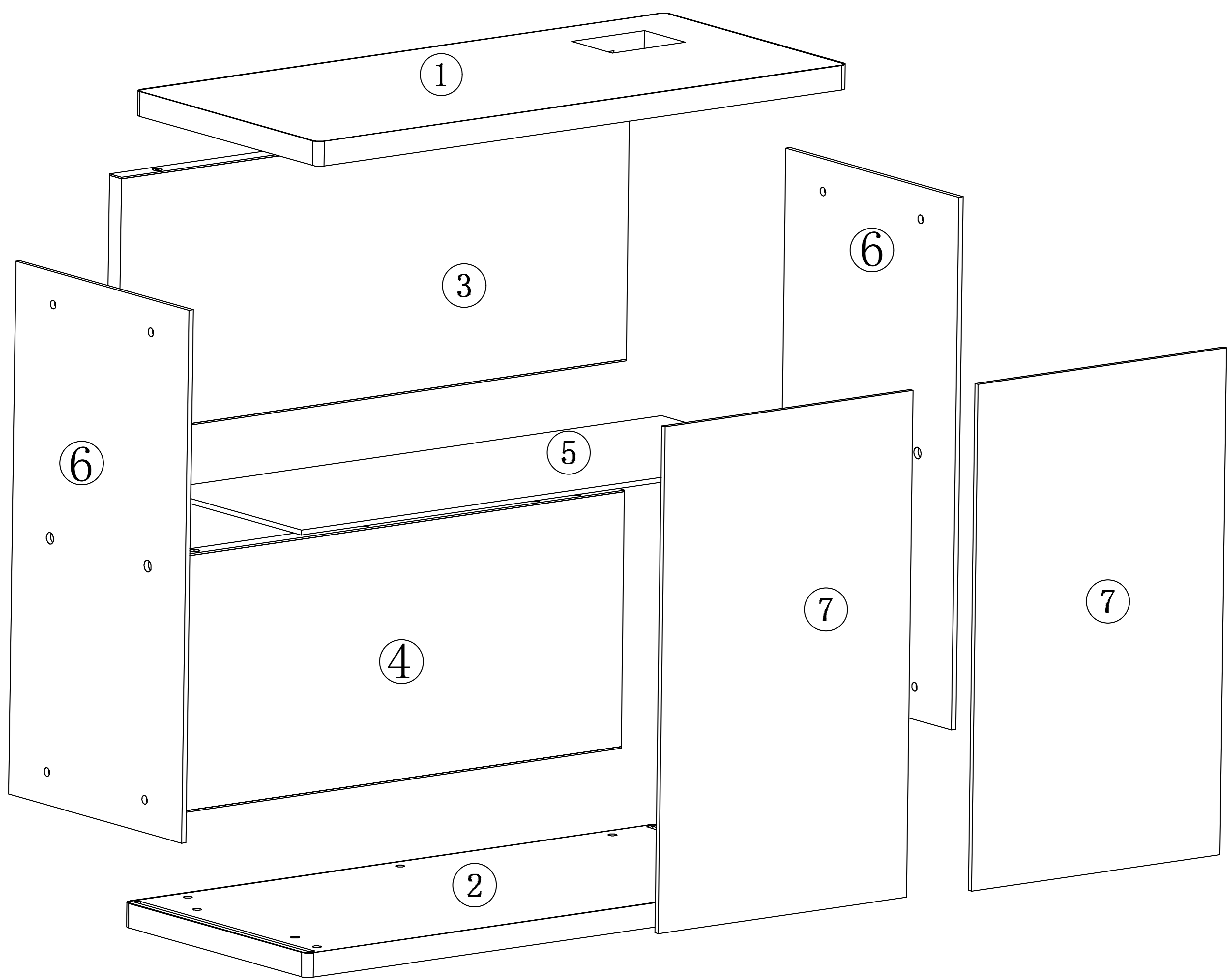


1pcs



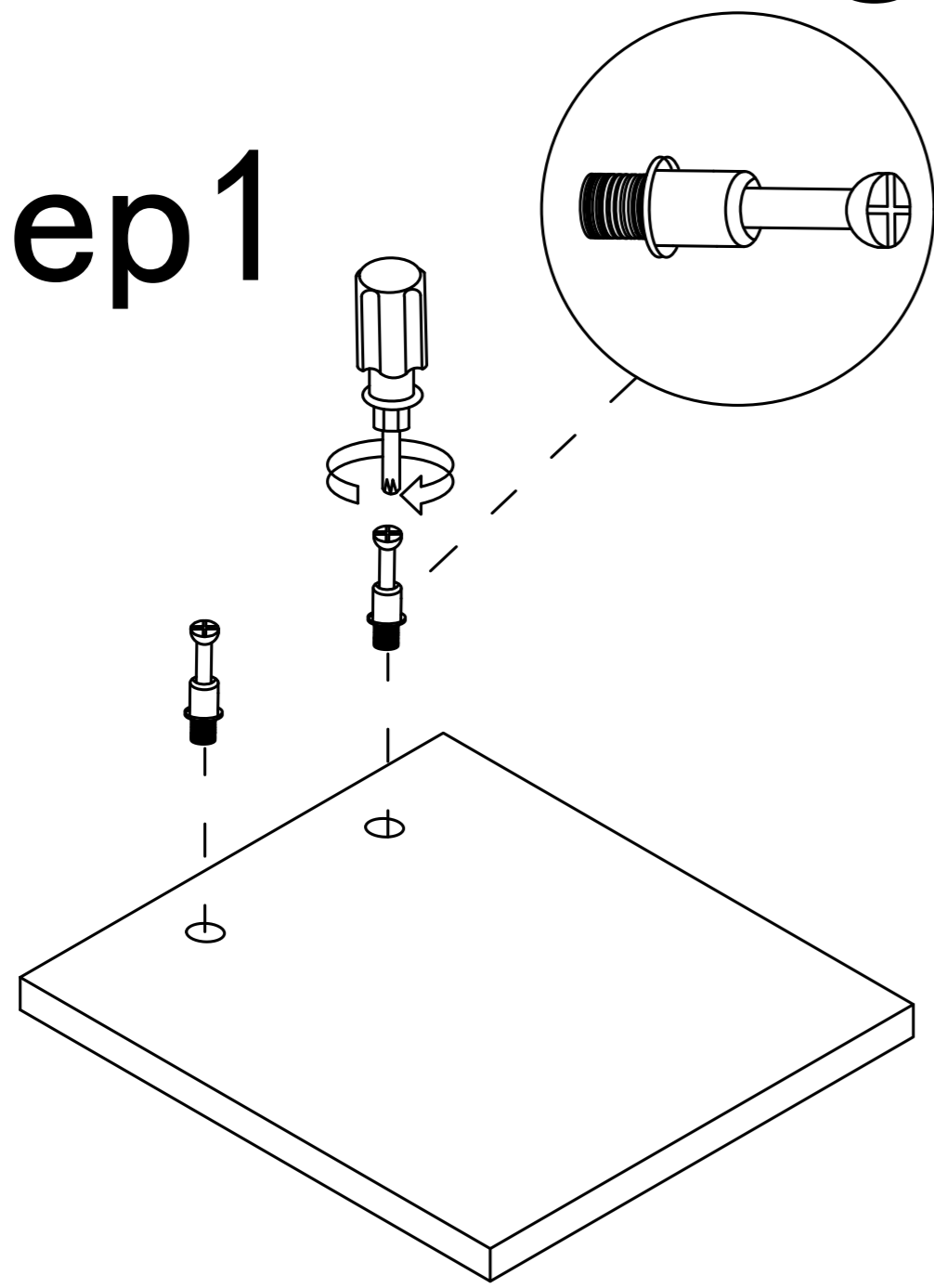
Double-head screwdriver, use as required

# Product structure decomposition

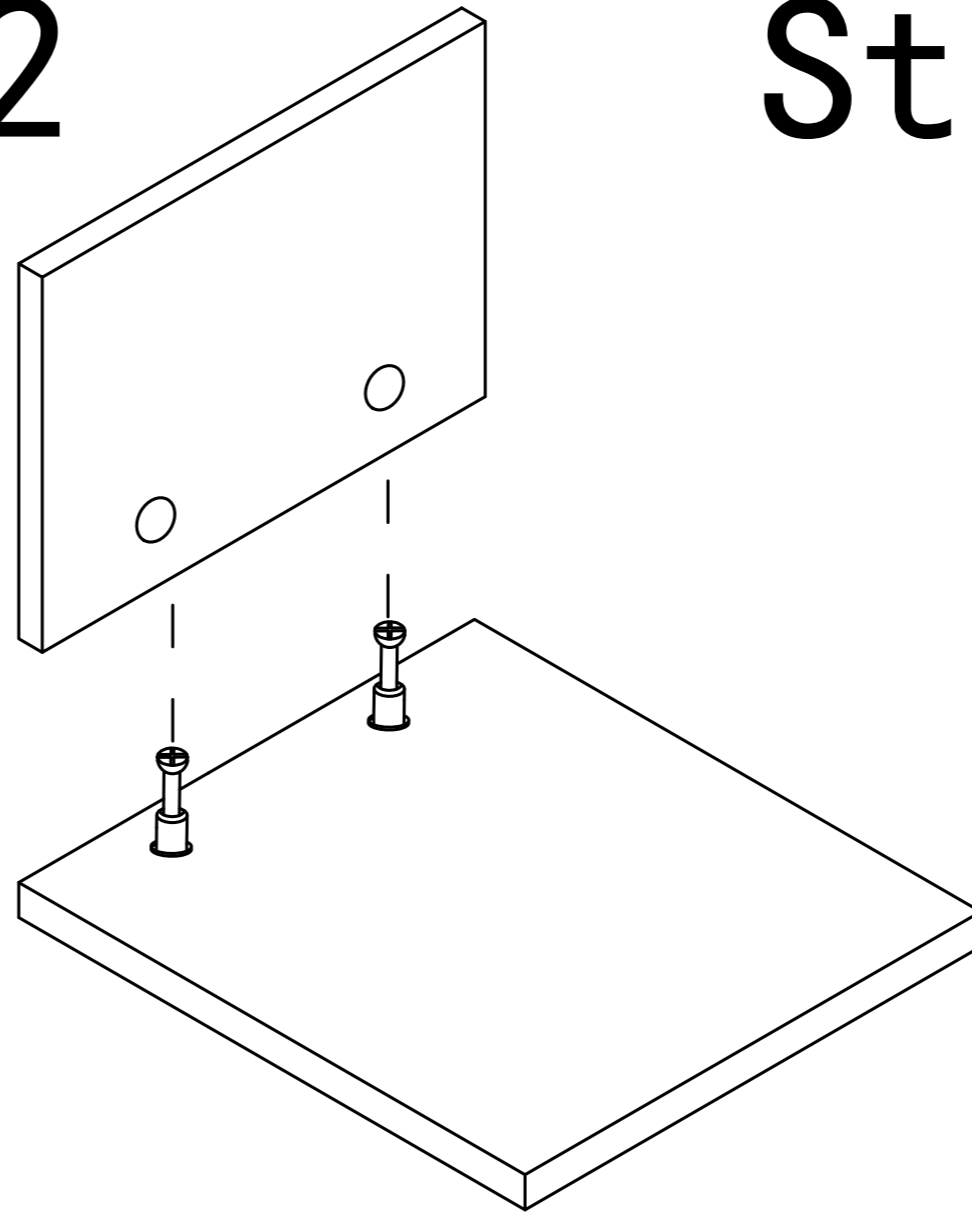


# Use parts A and B

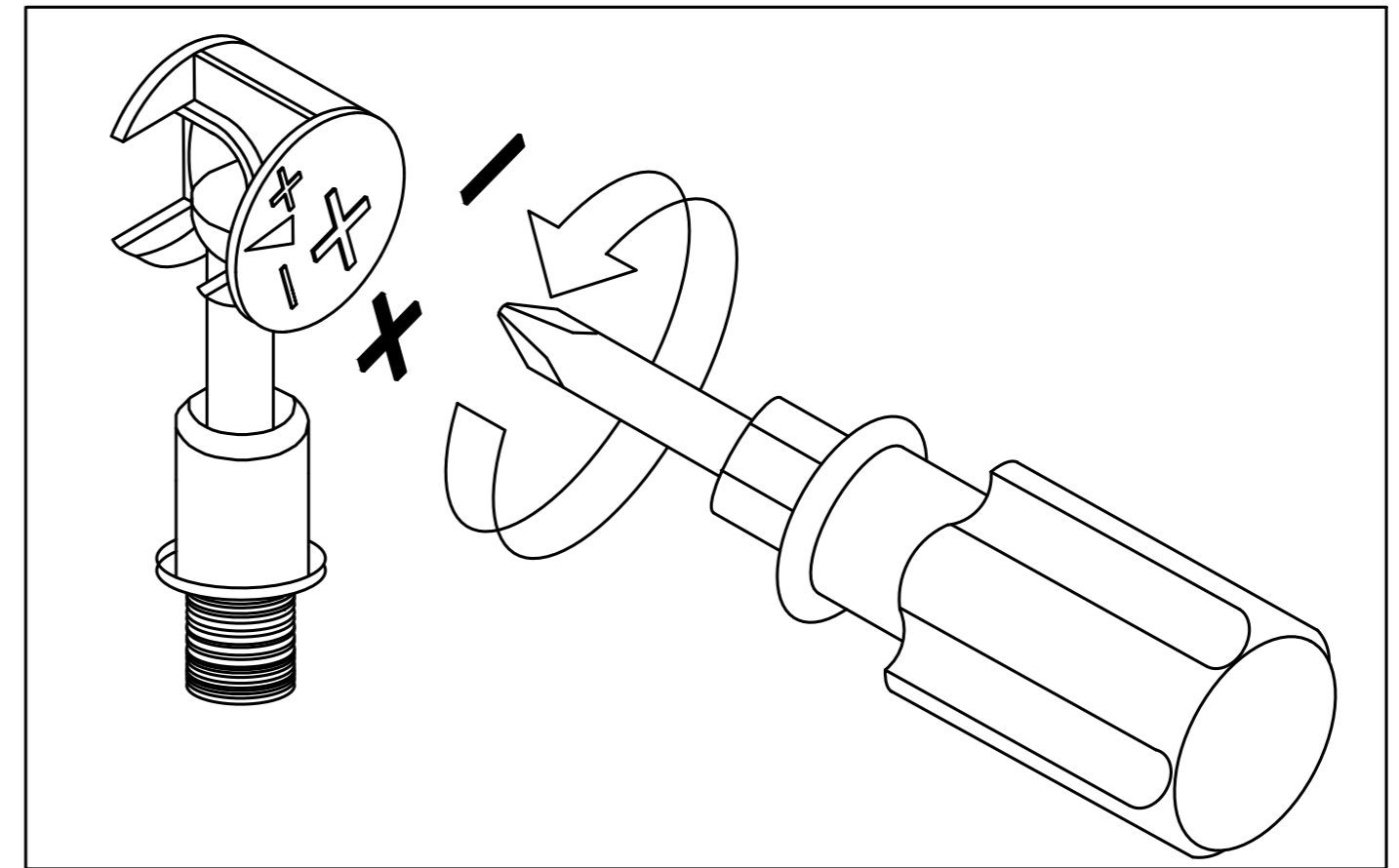
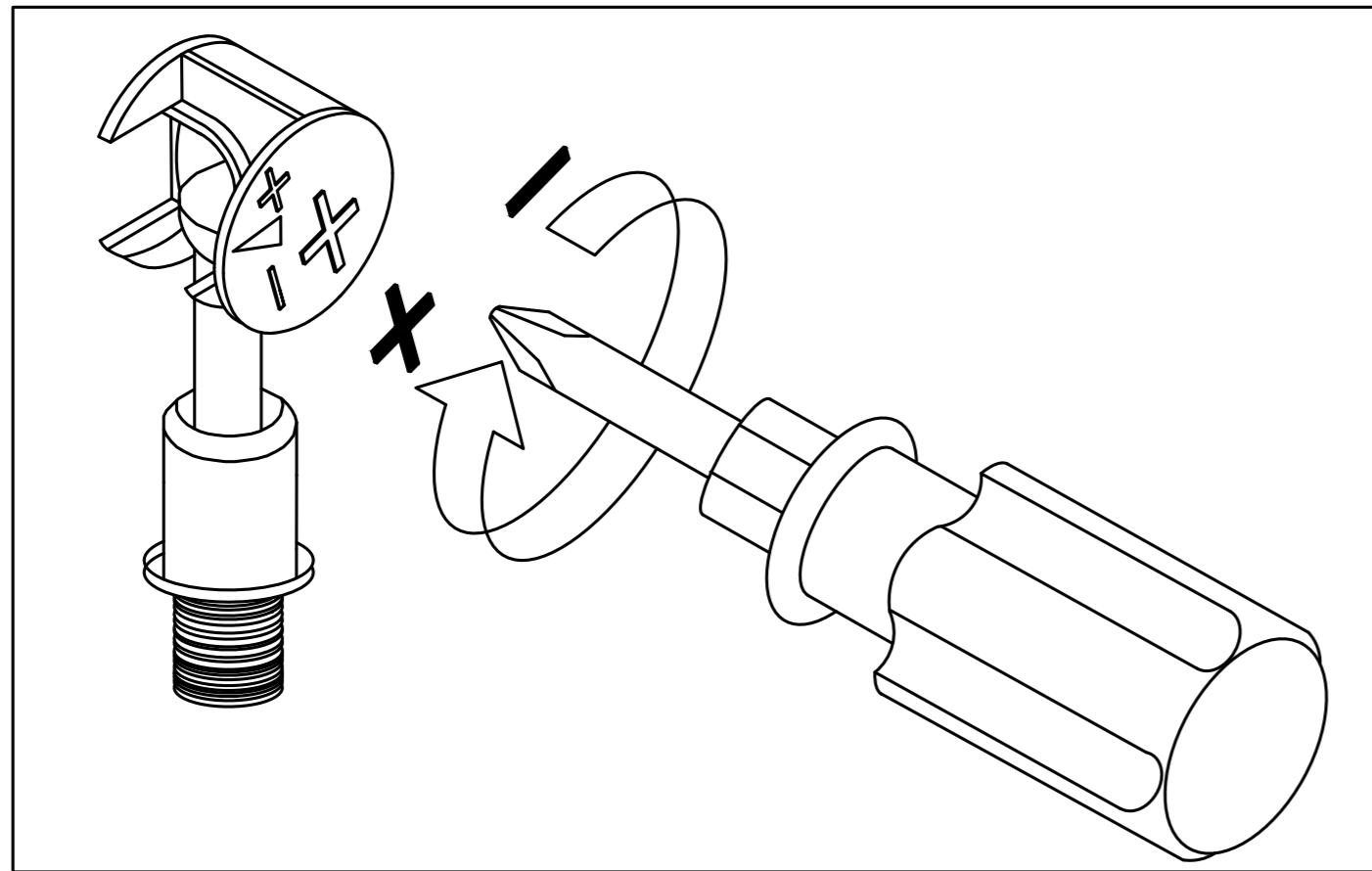
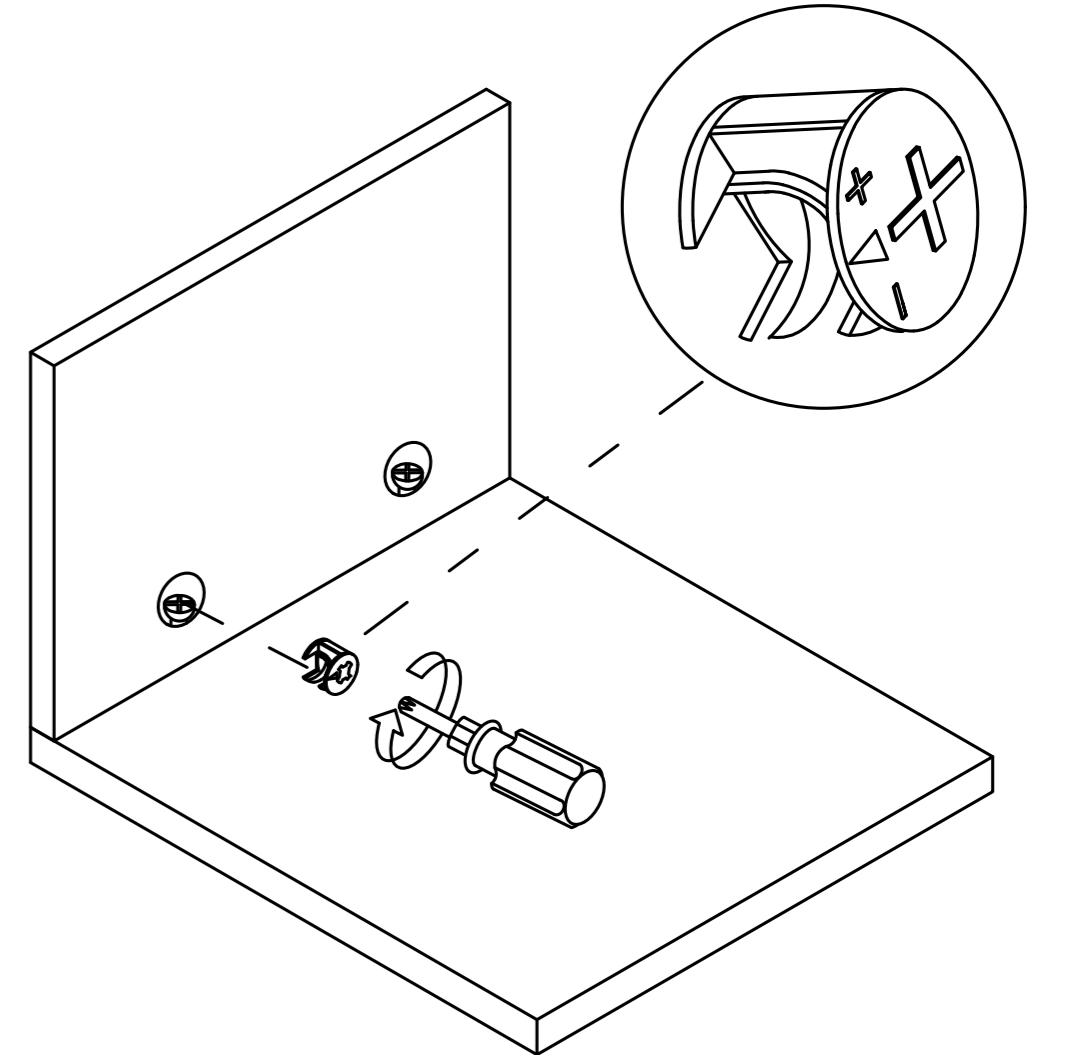
Step 1



Step 2



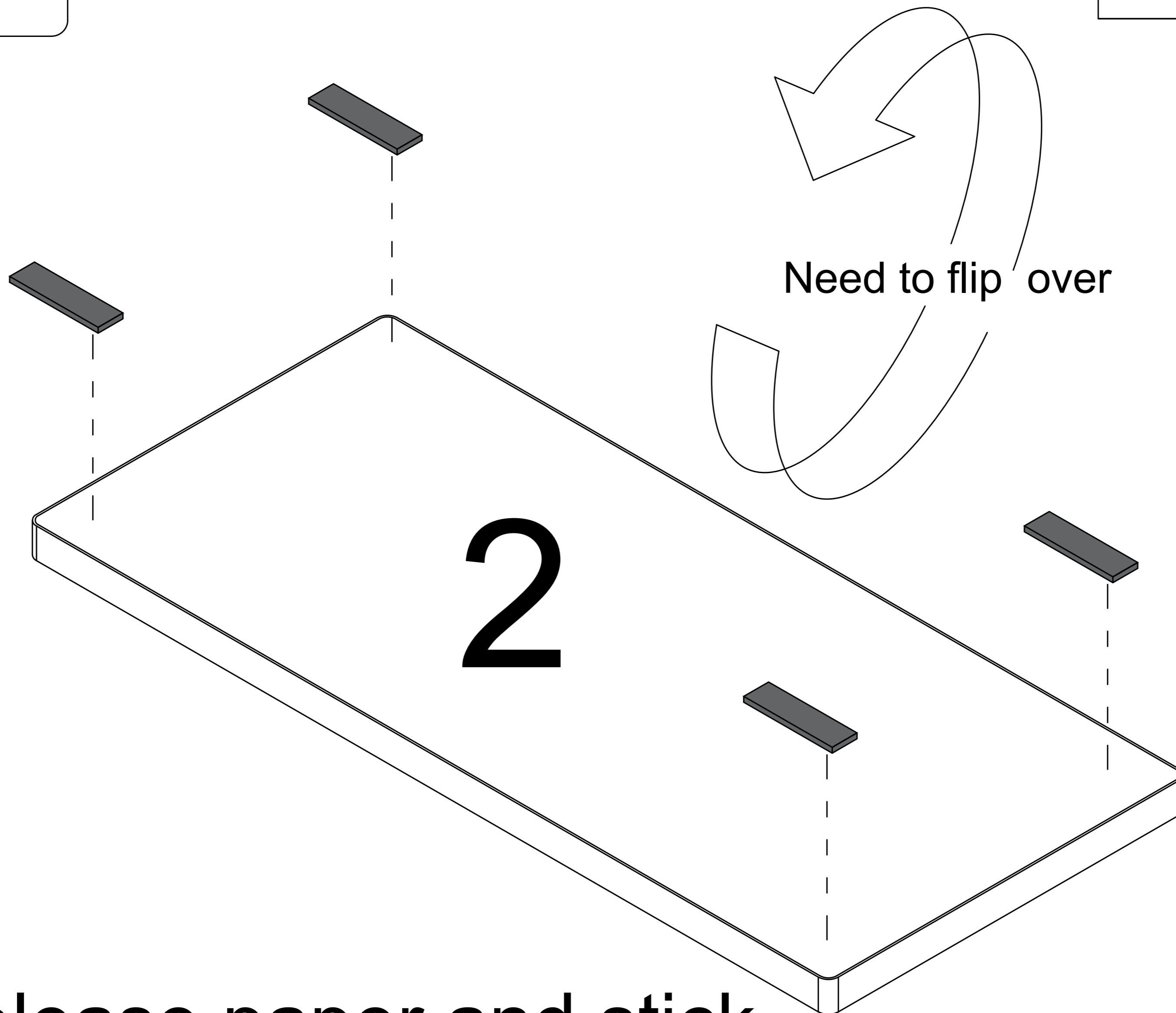
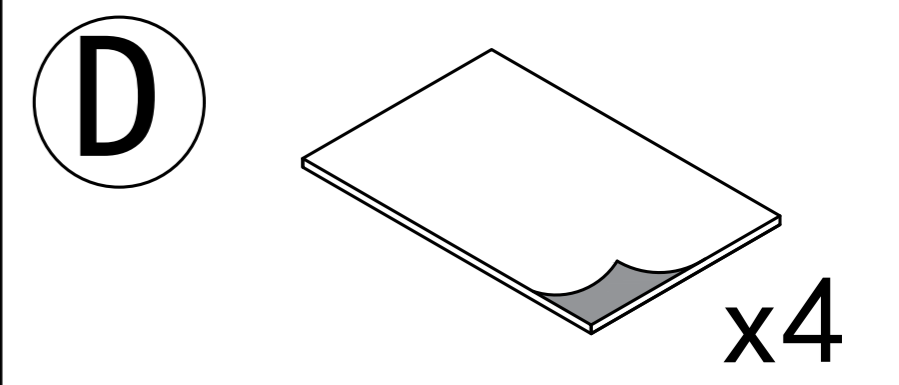
Step 3



Use a screwdriver to lock in the direction of the "+" sign

Disassemble along the direction of "-" sign

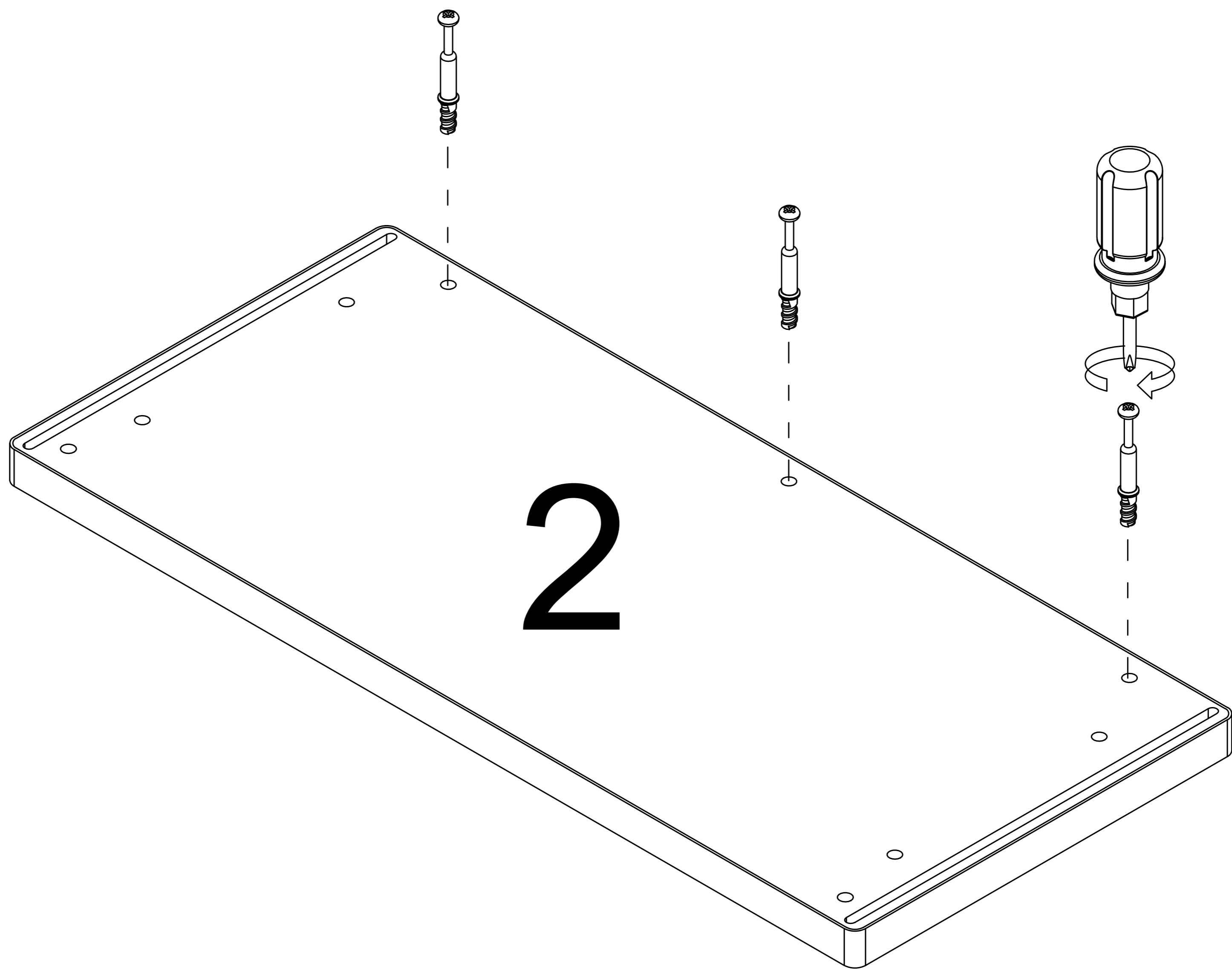
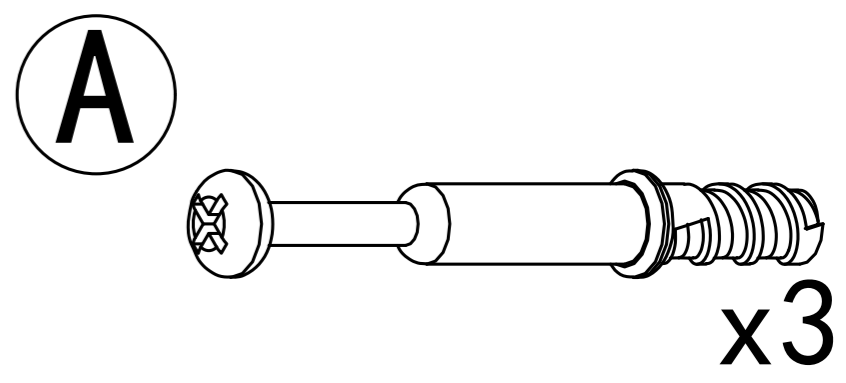
Step 1



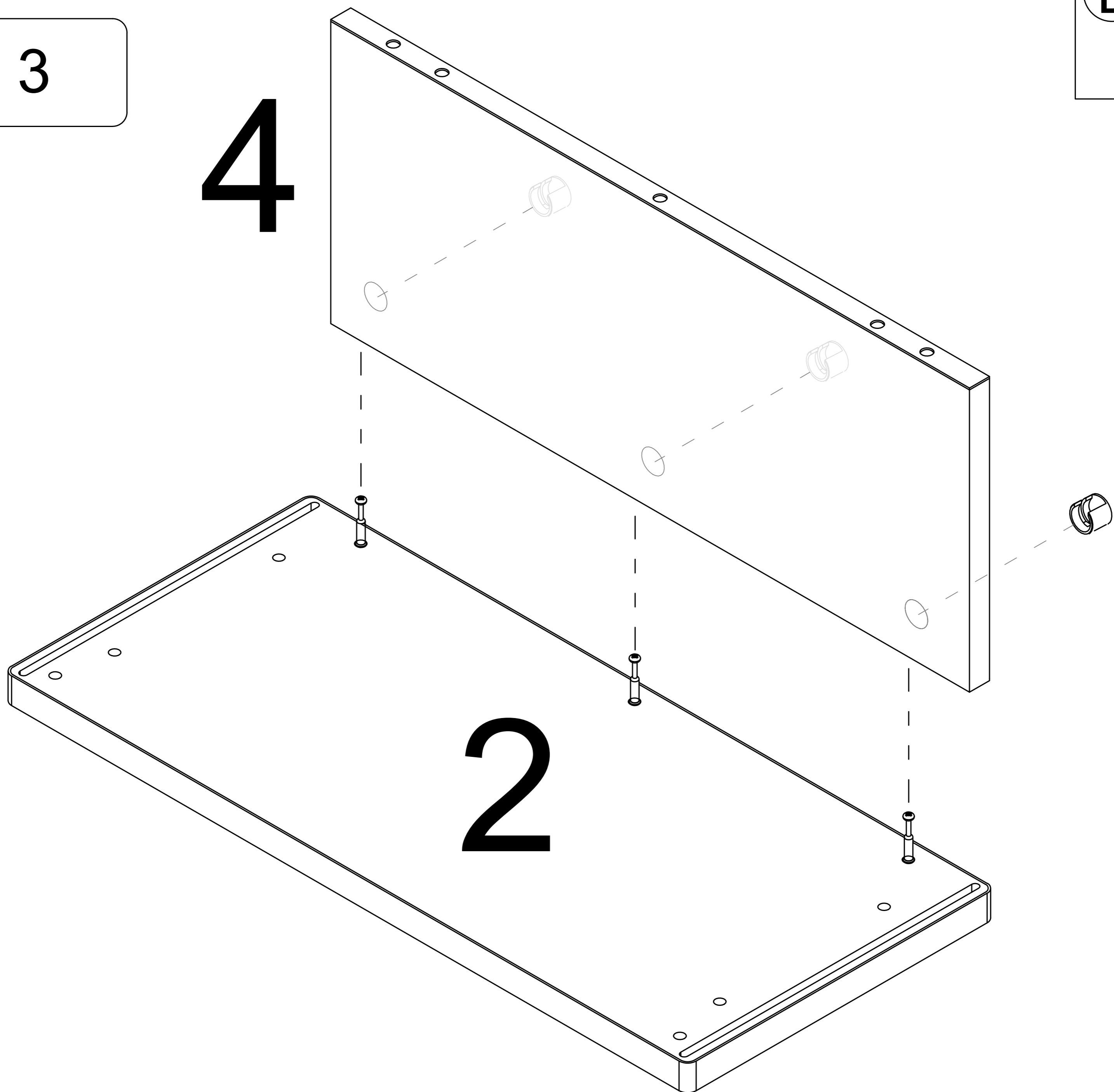
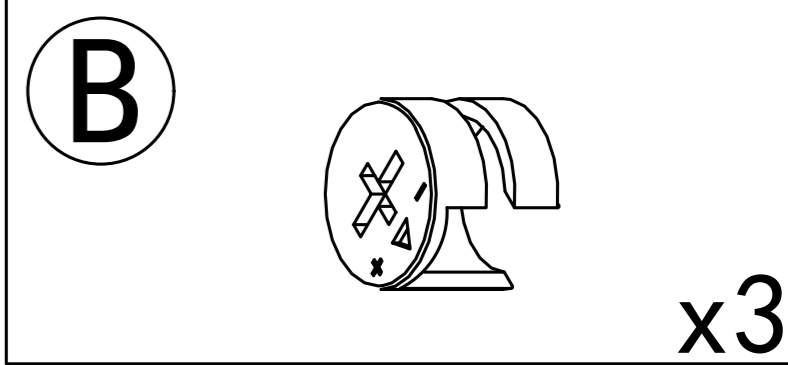
Tear off release paper and stick the black foot pad on the board

4

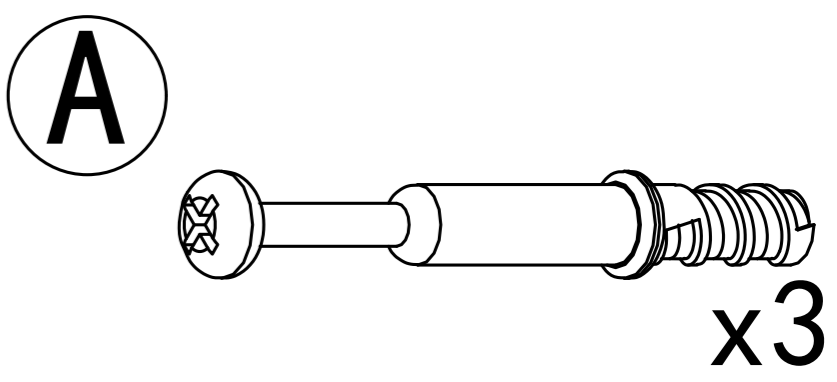
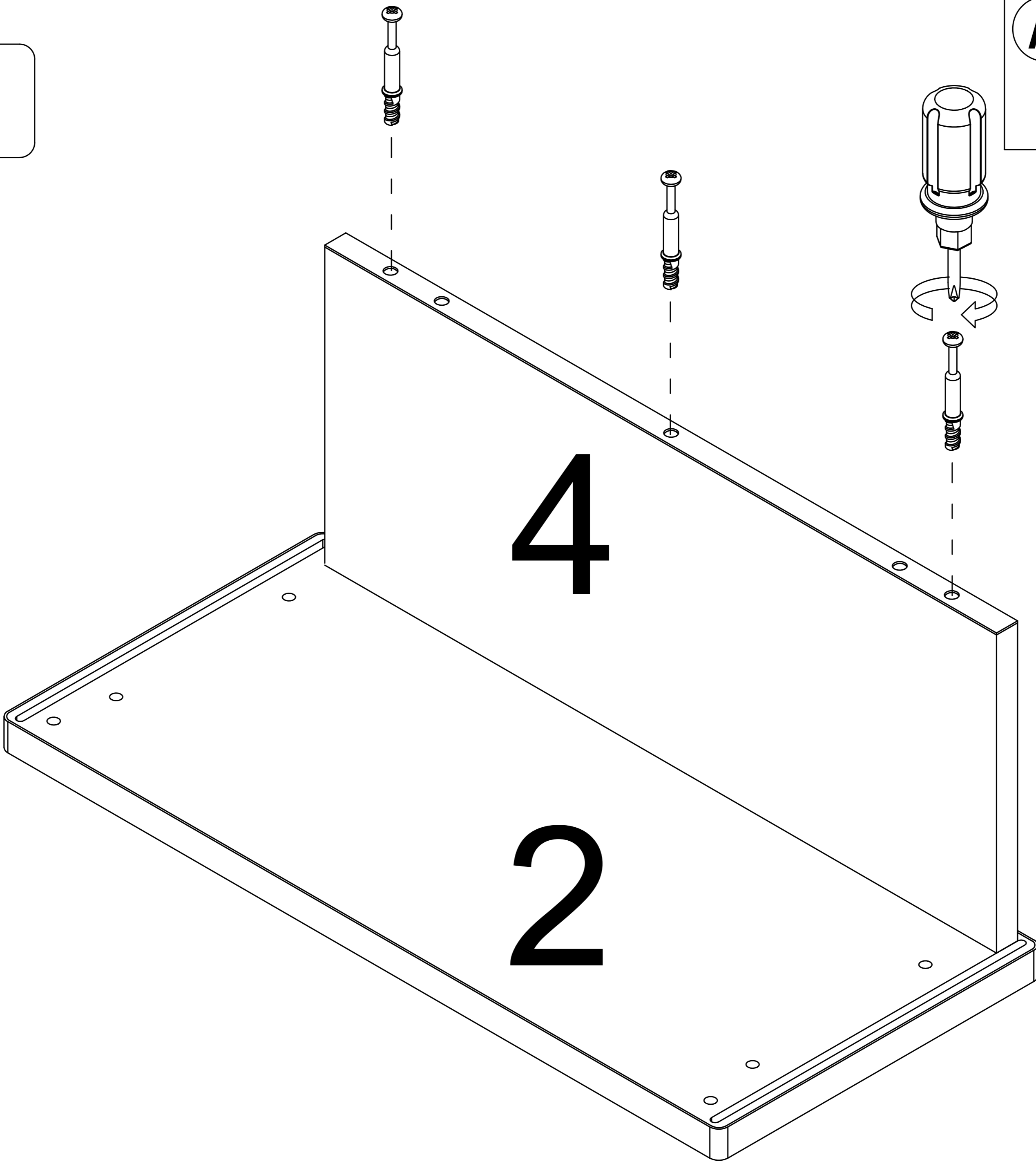
Step 2



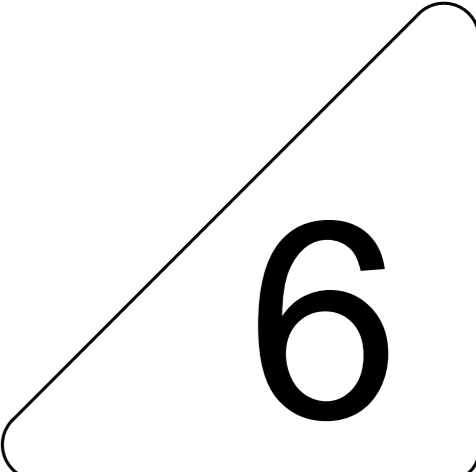
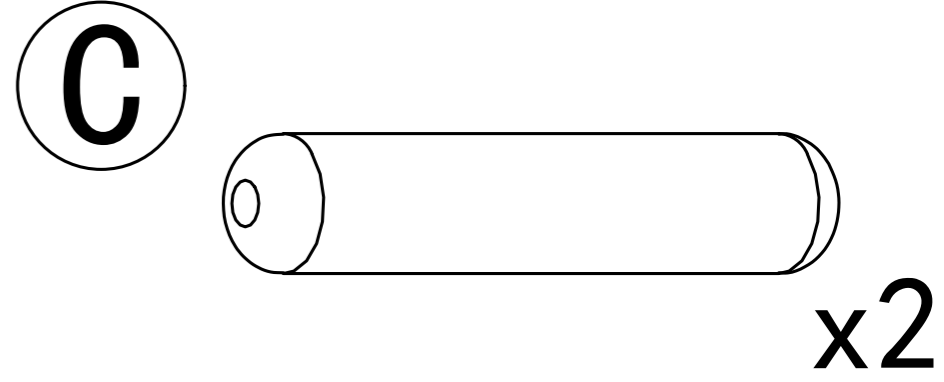
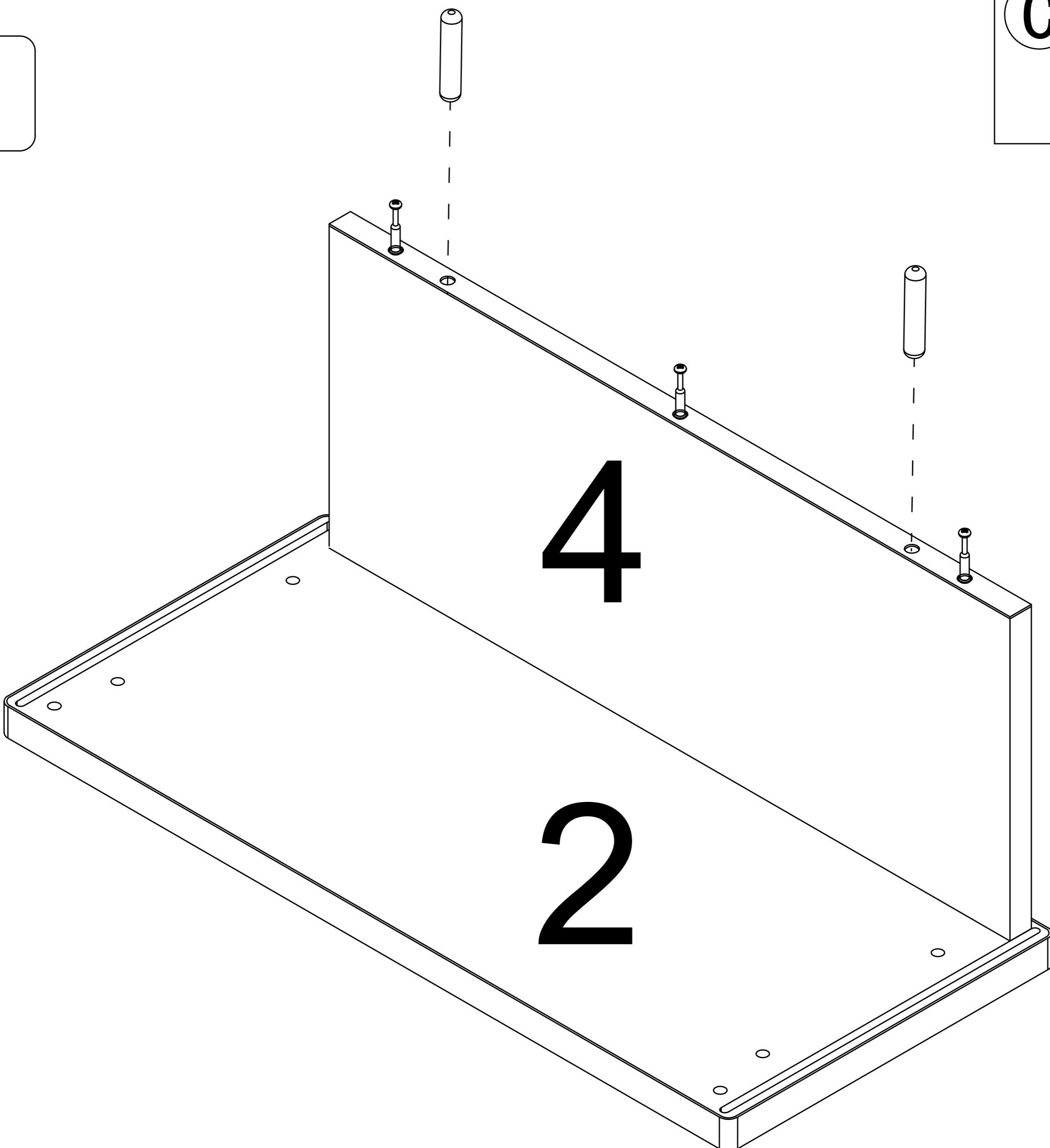
Step 3



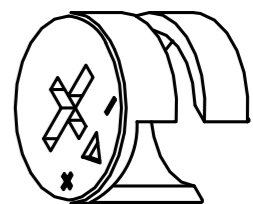
Step 4

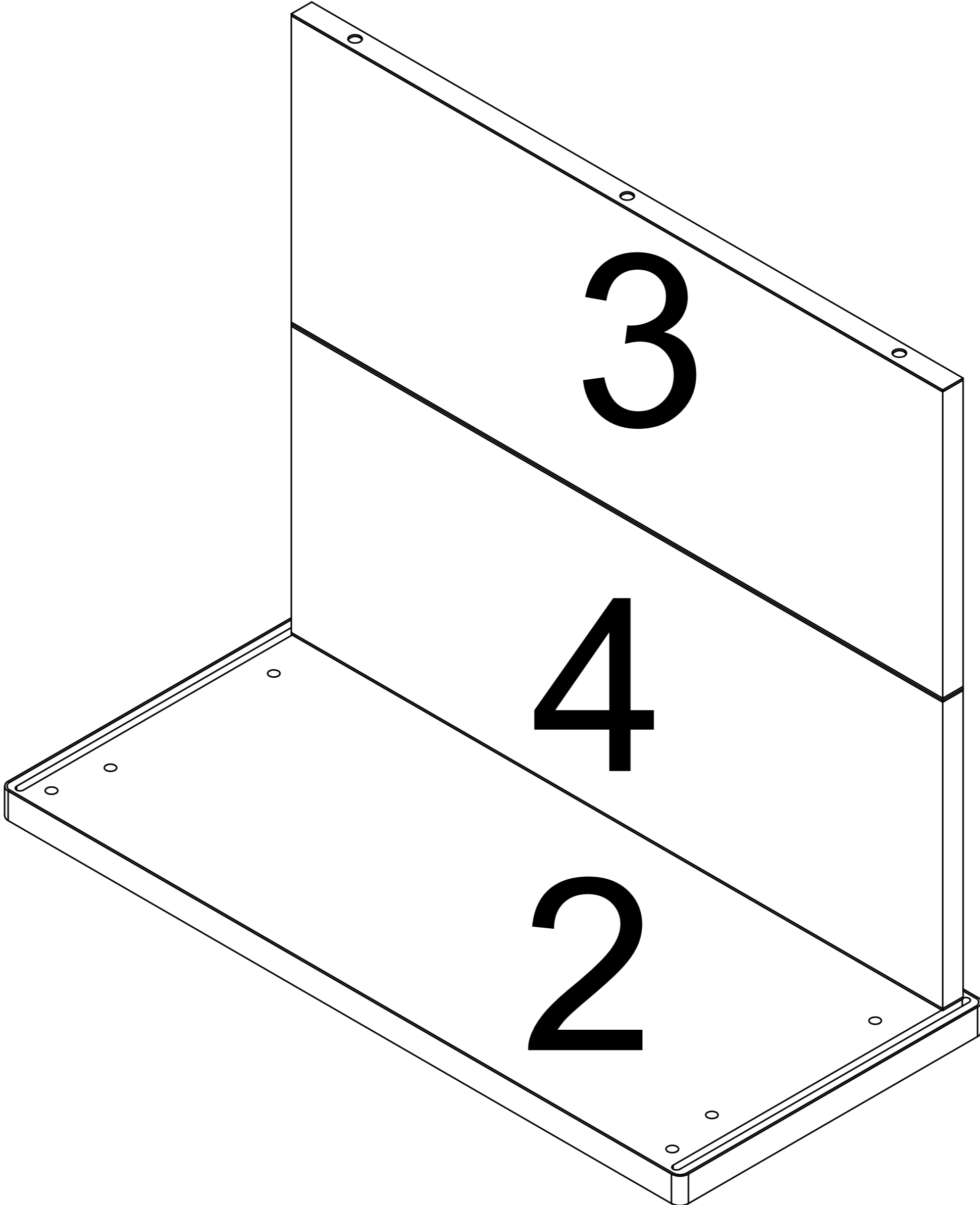
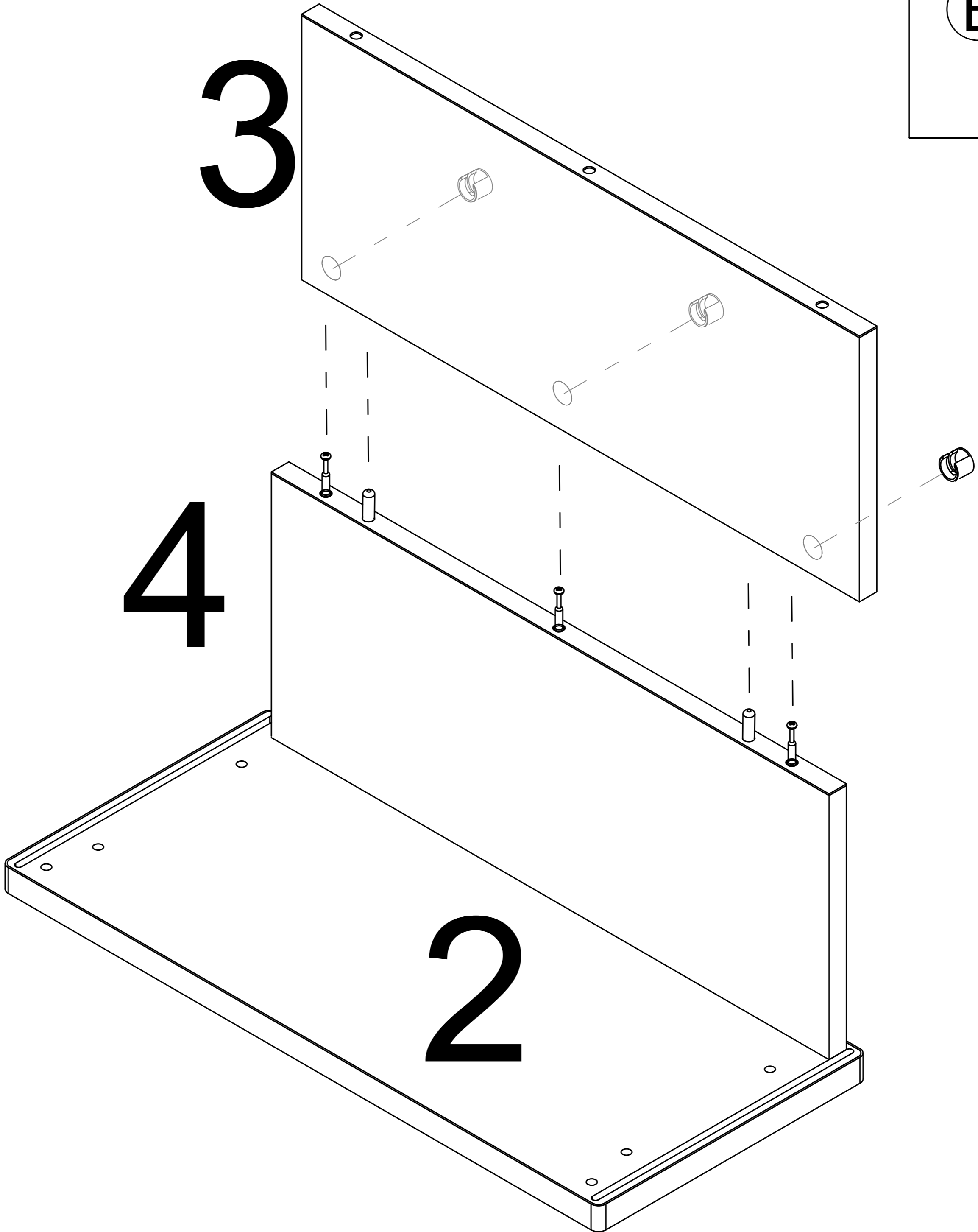


Step 5

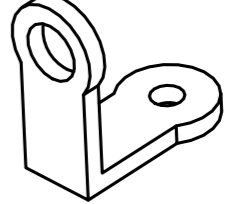

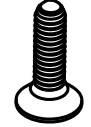


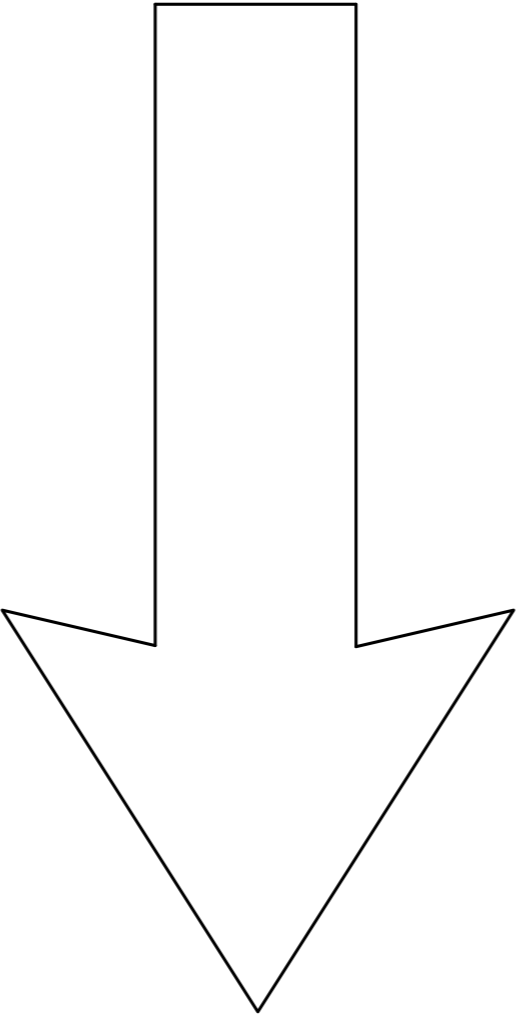
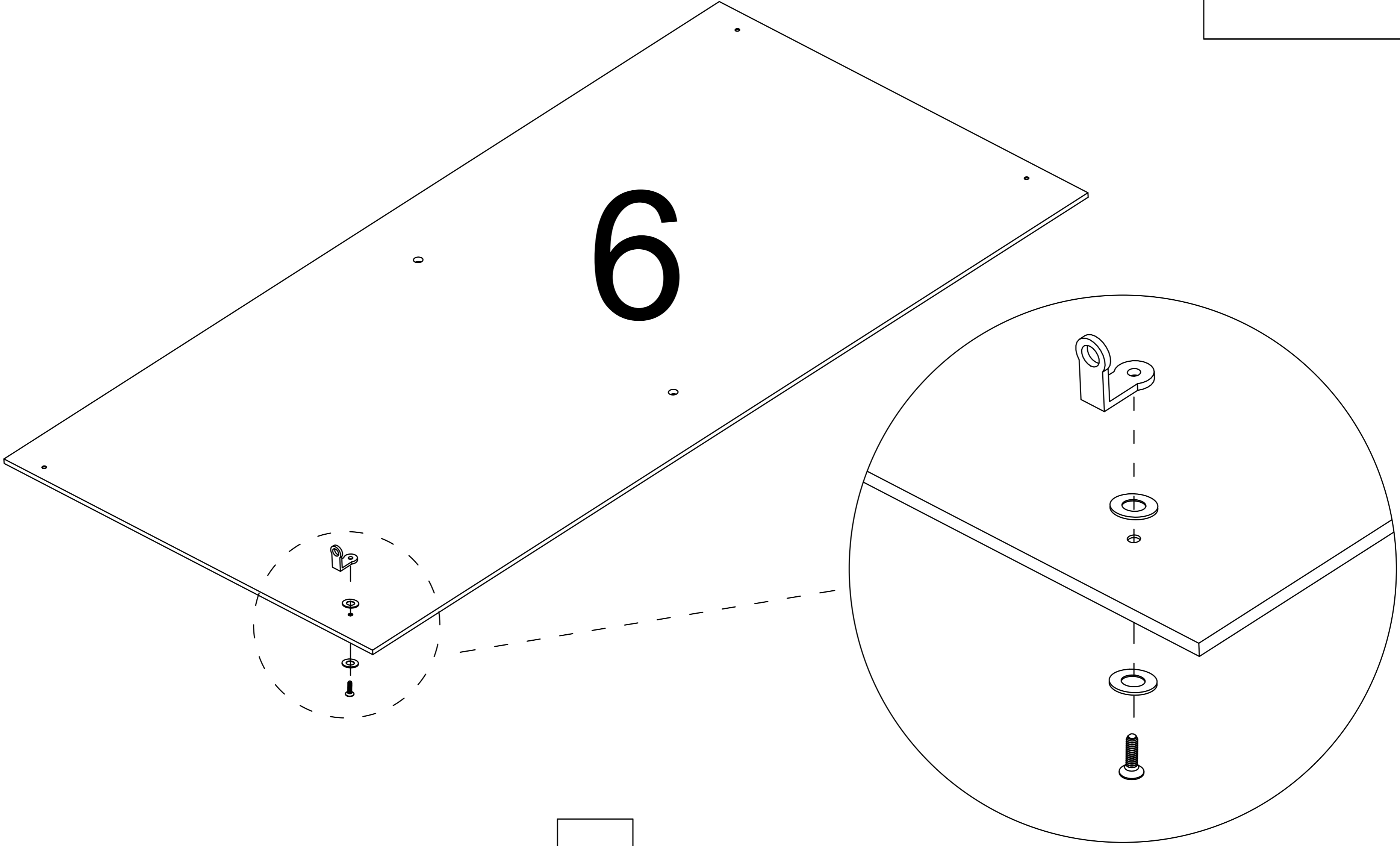
Step 6

Ⓑ  x3

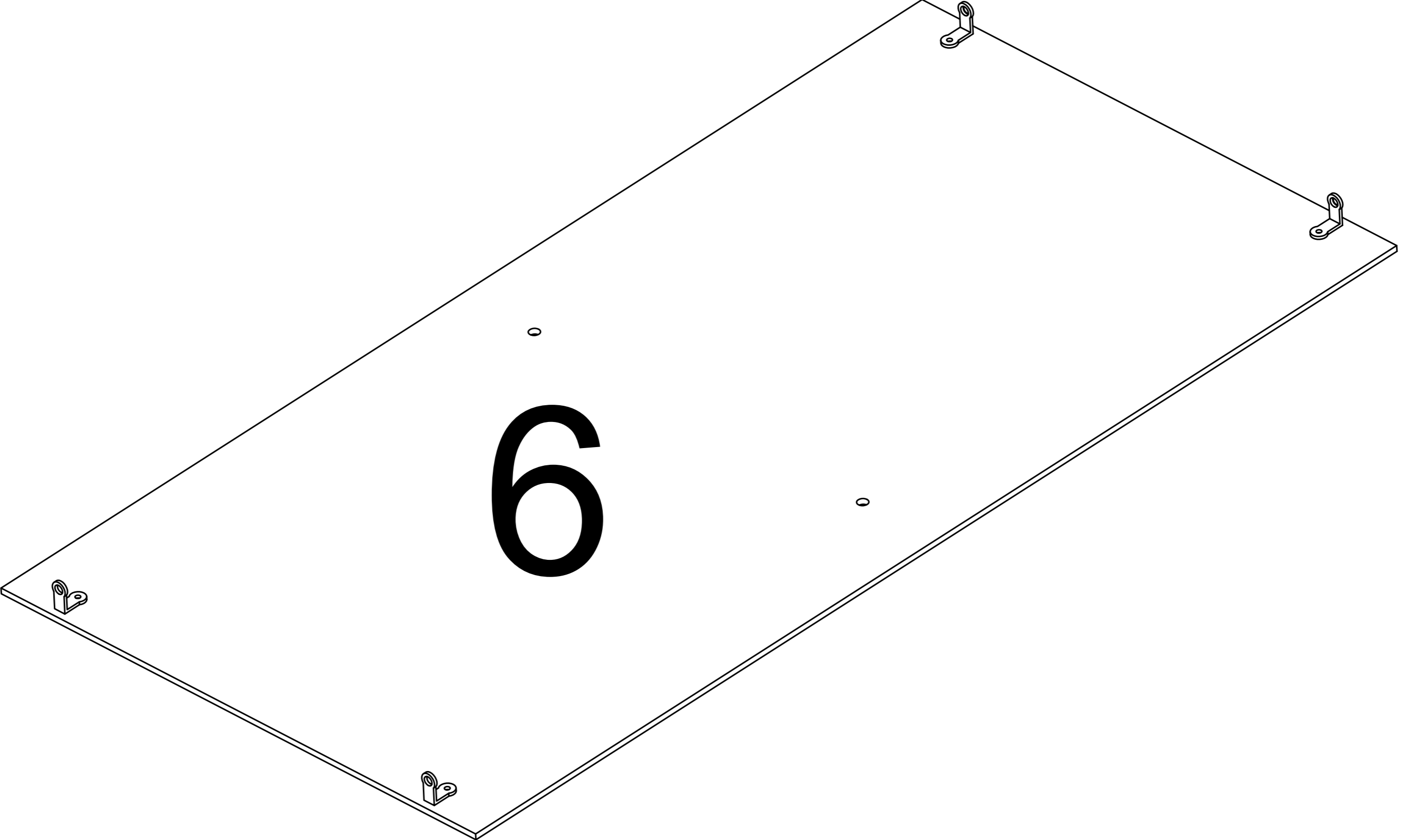
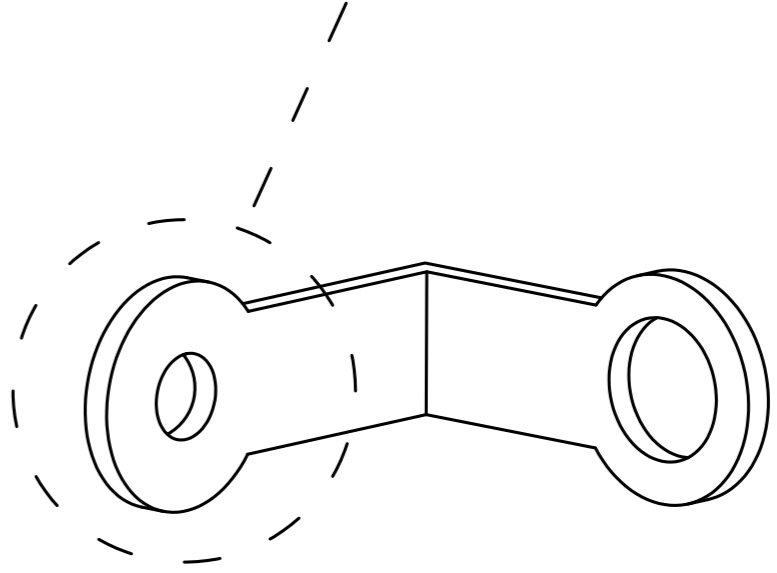


Step 7

- E**   
- x8      x16      x8



Install this hole

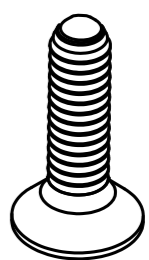


6 x2

8

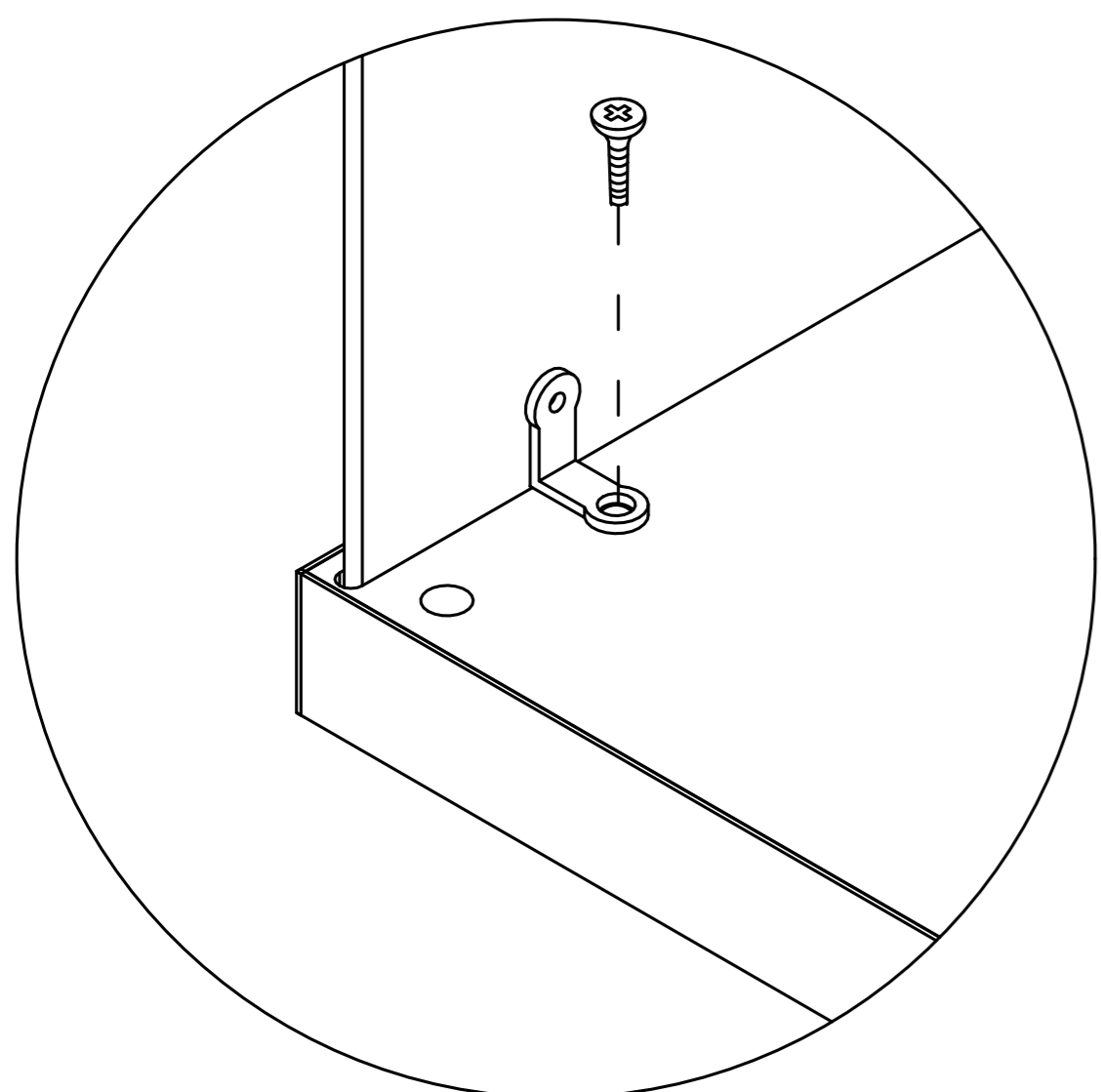
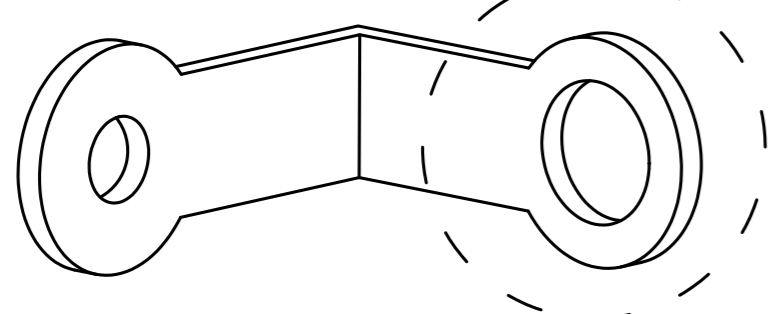
Step 8

E

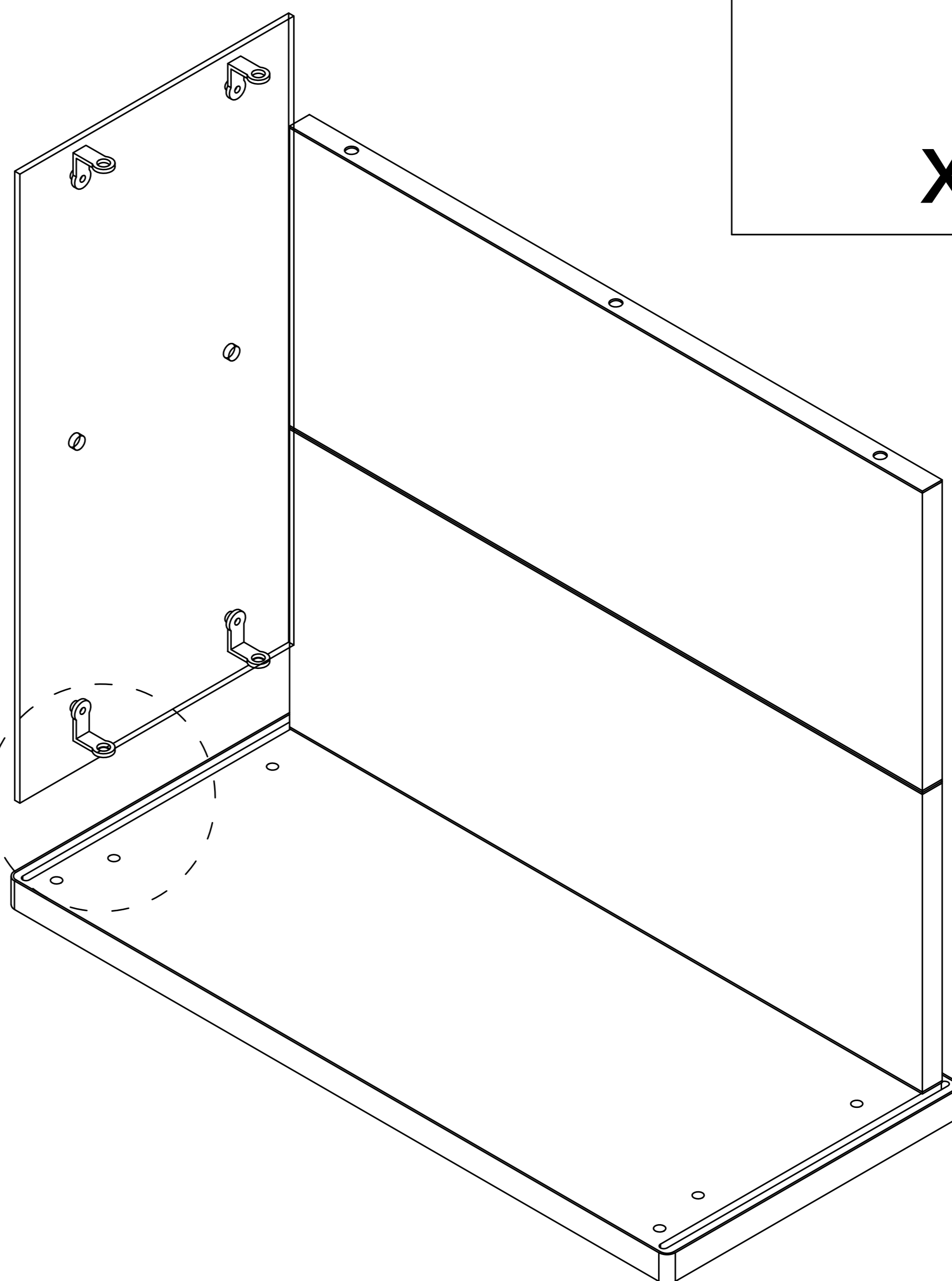


x4

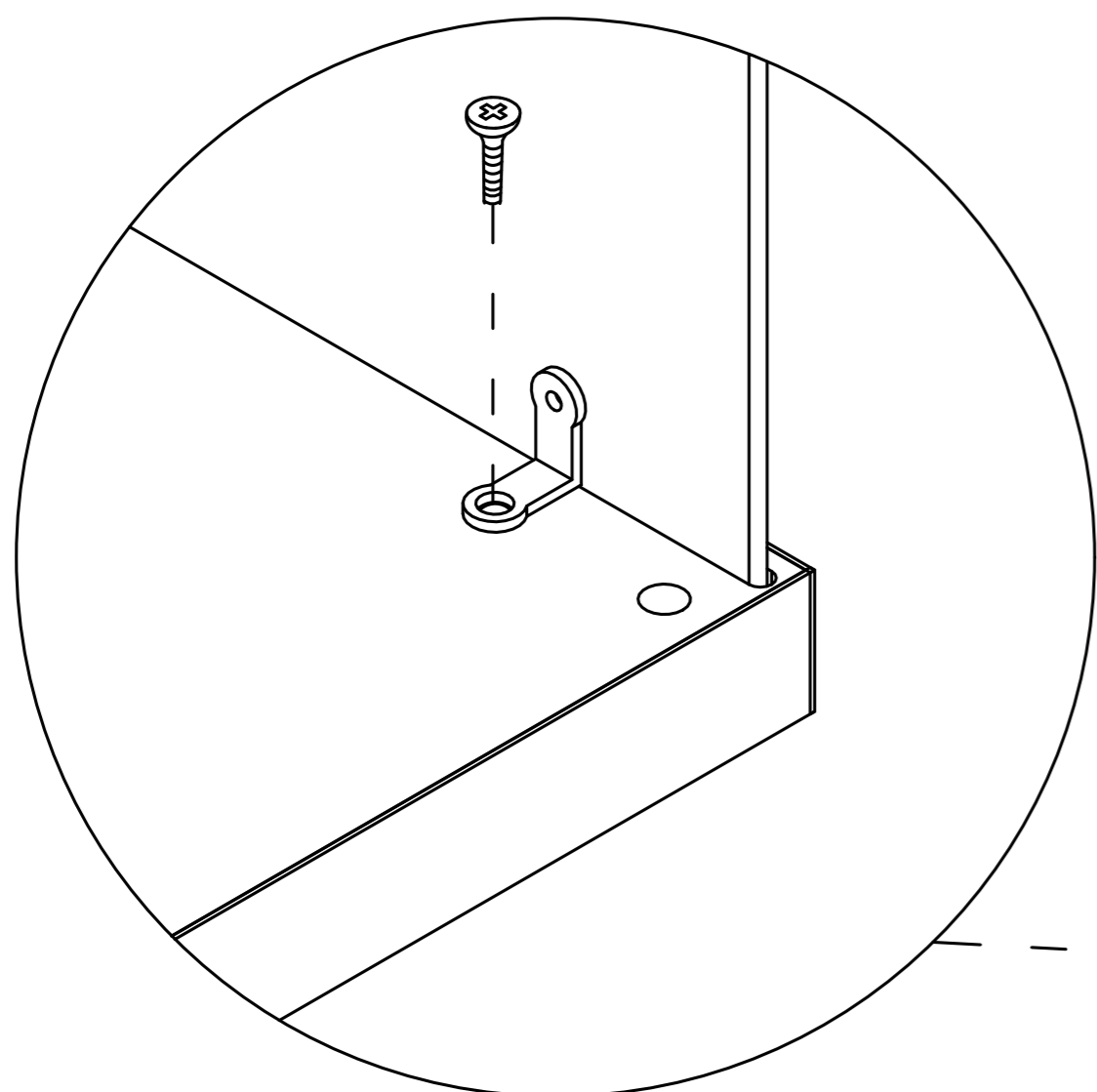
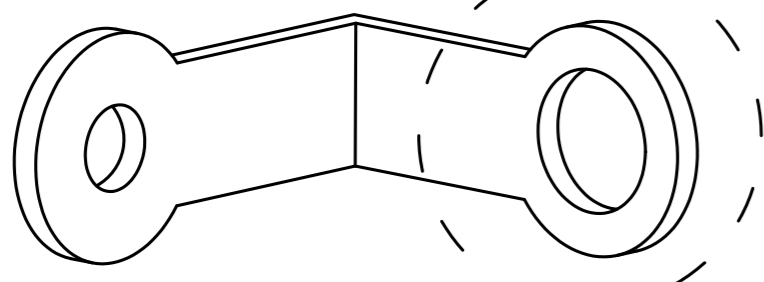
Install this hole



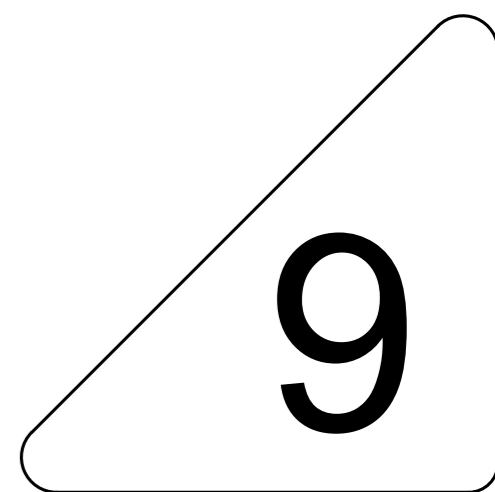
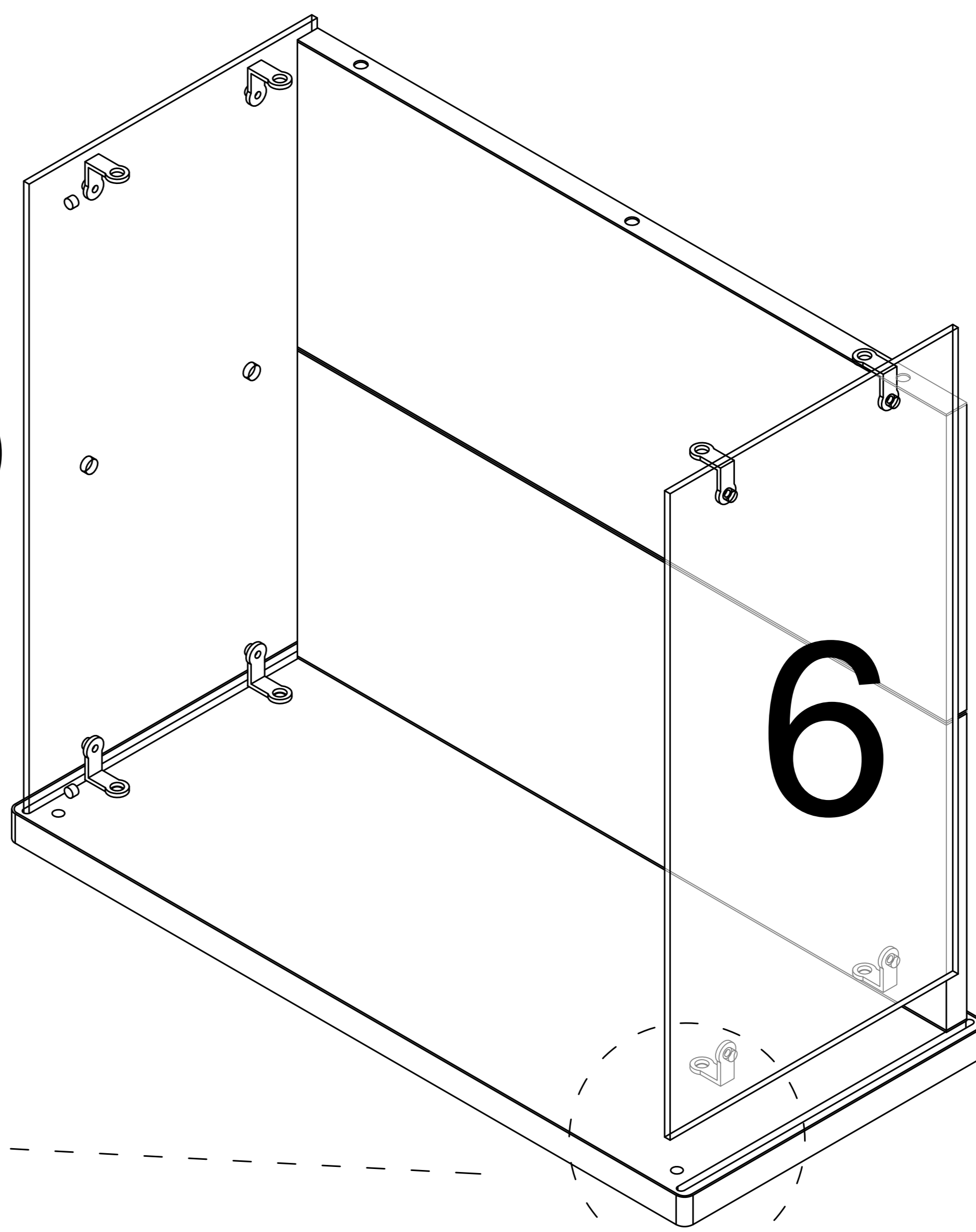
6



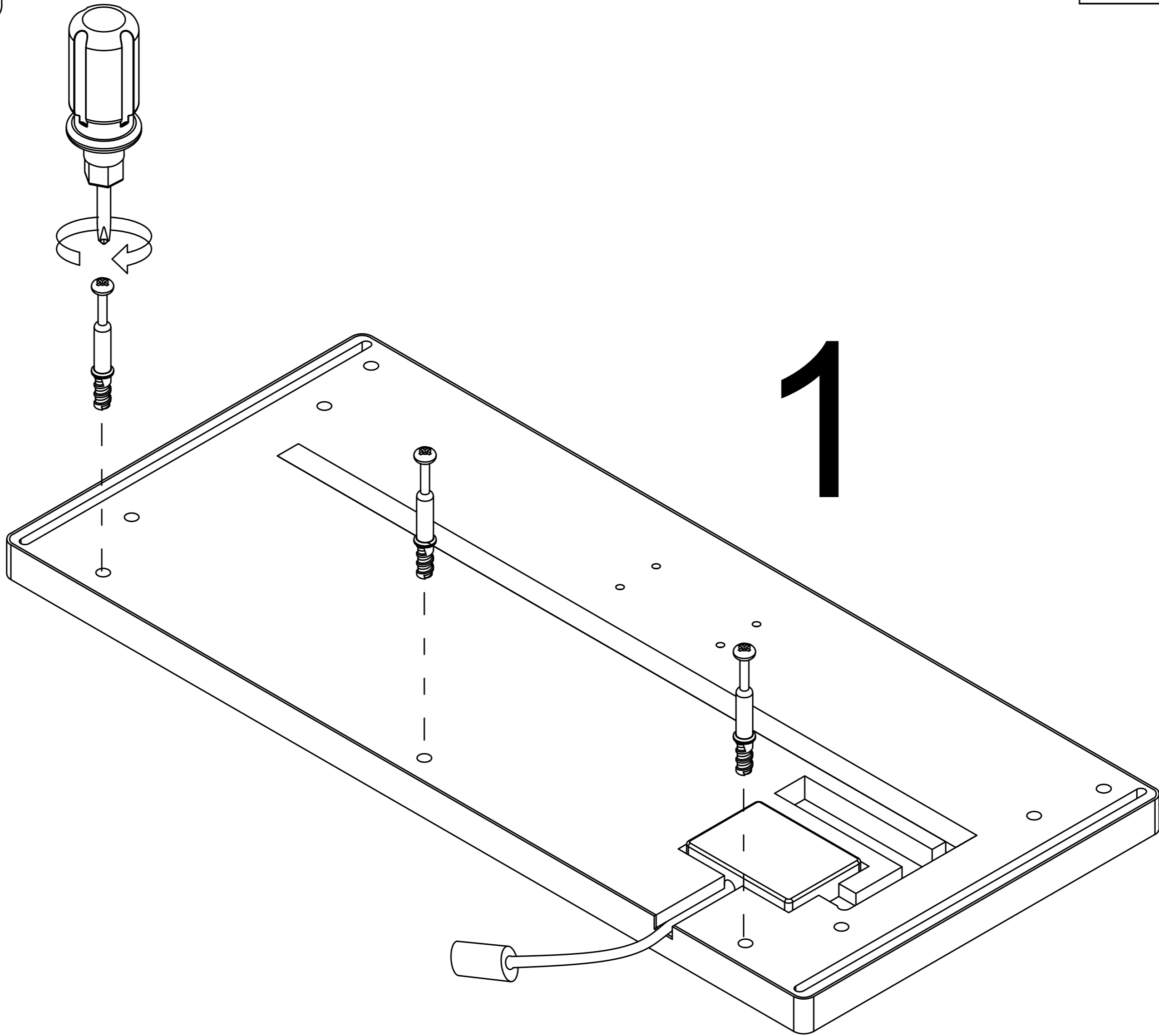
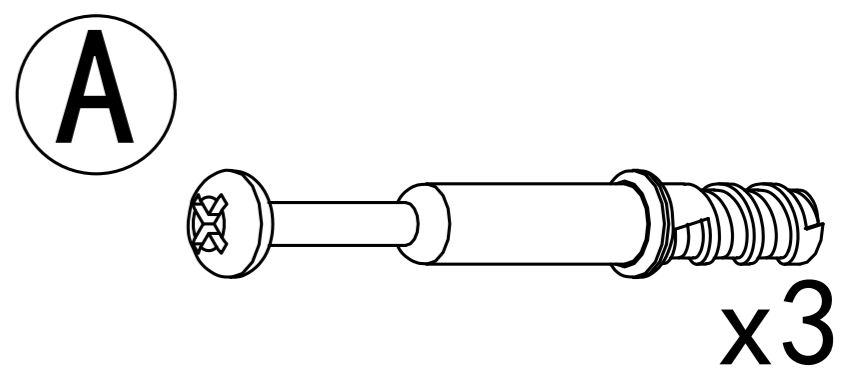
Install this hole



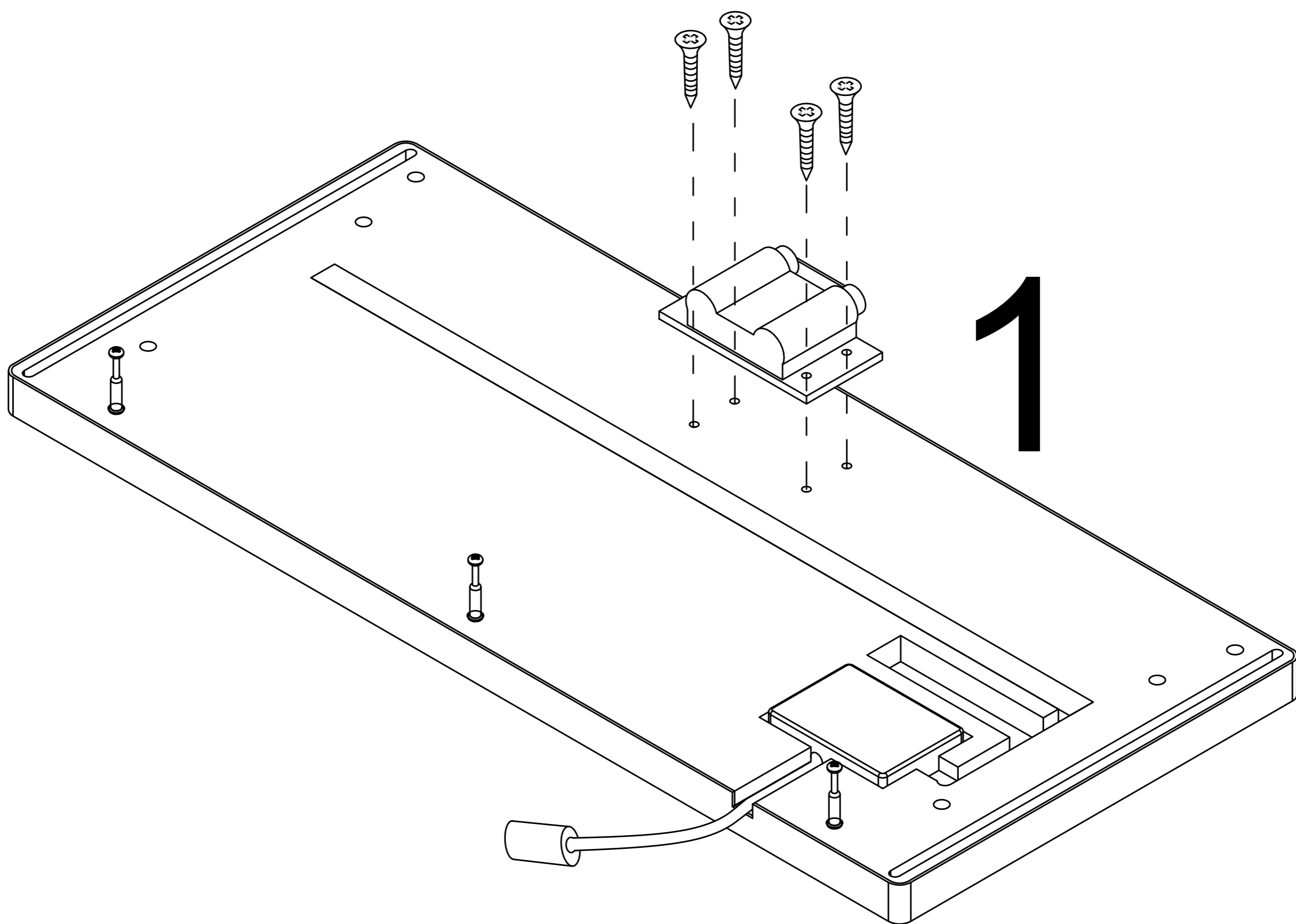
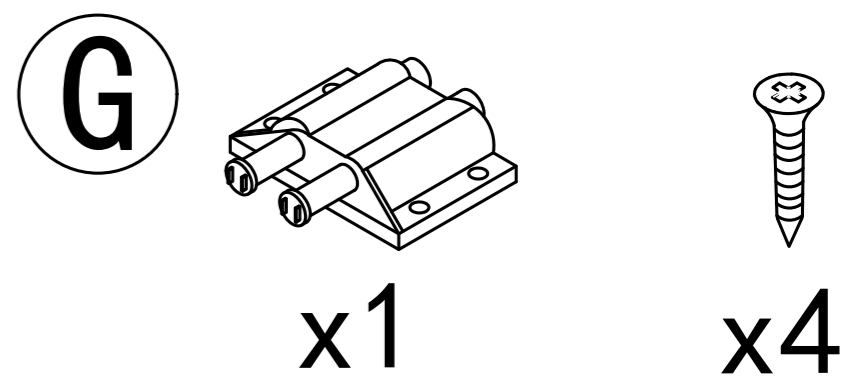
6



Step 9

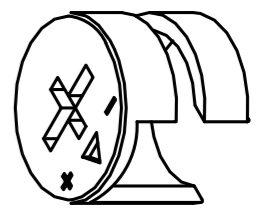


Step 10



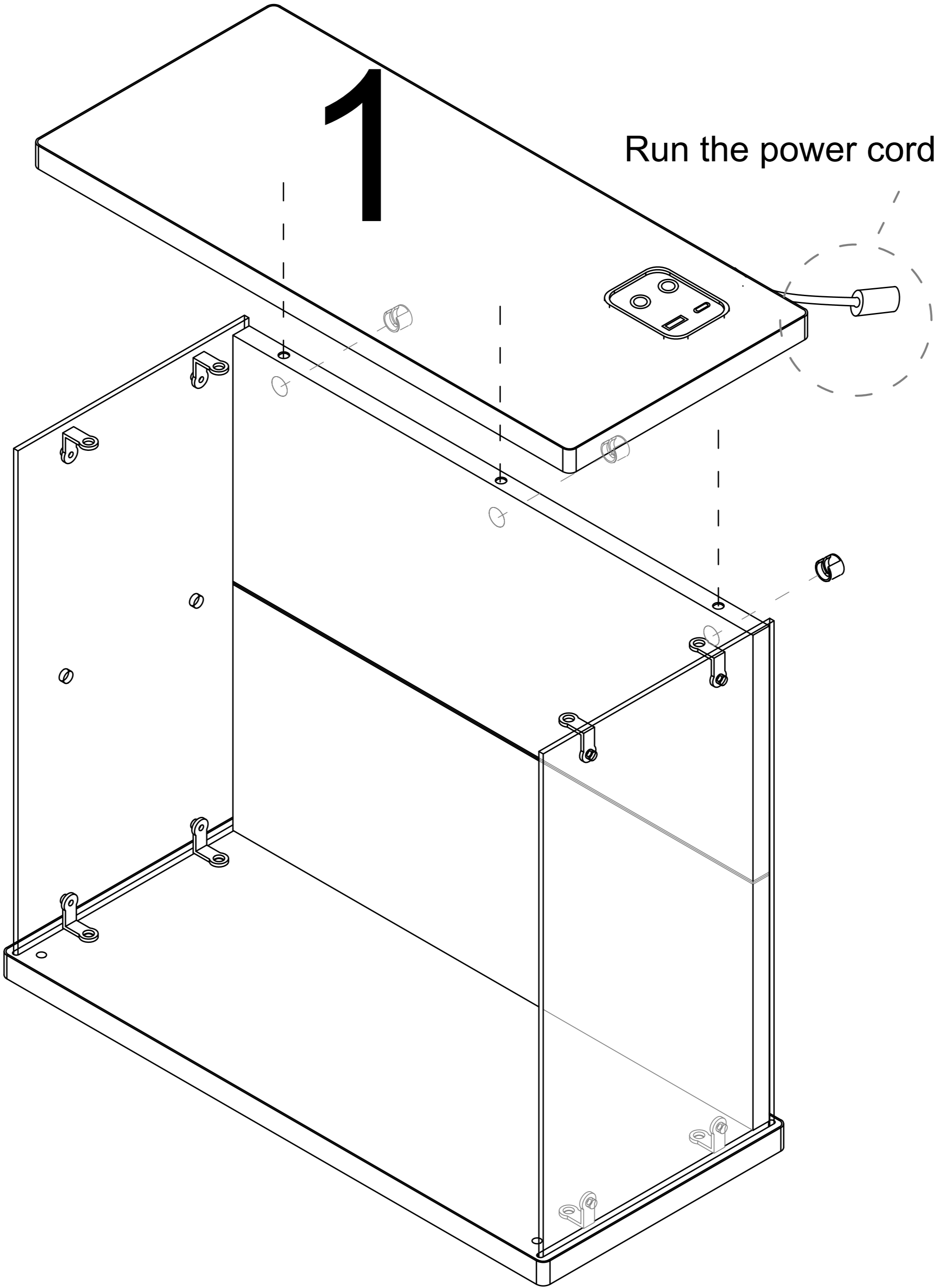
Step 11

B



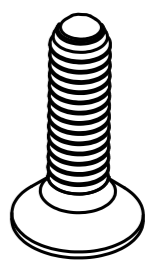
x3

Run the power cord outside before installation.

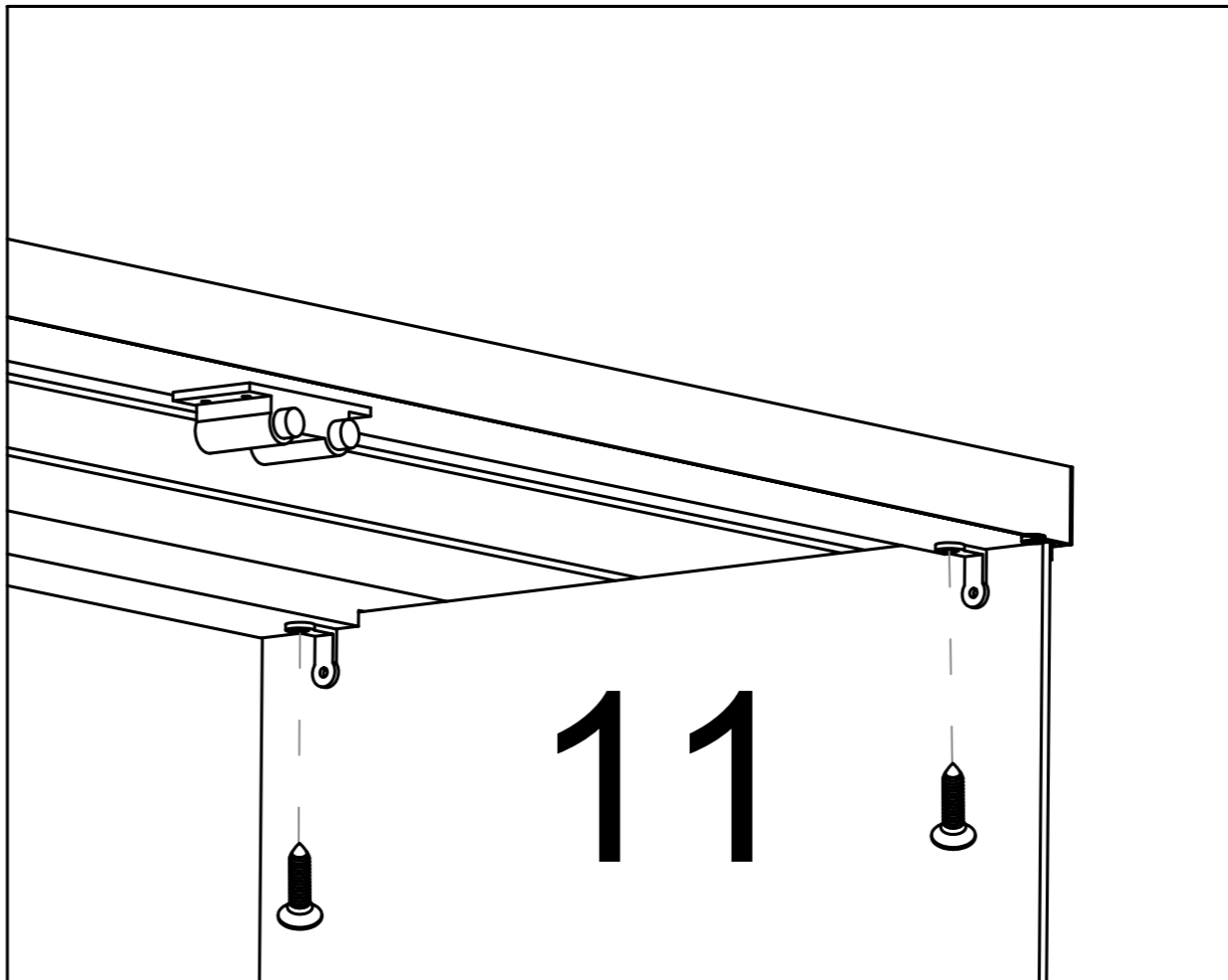


Step 12

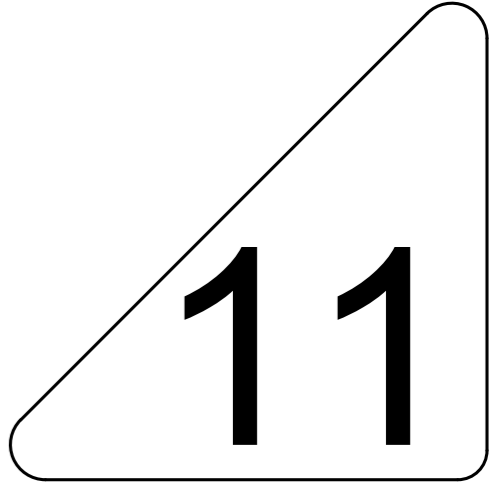
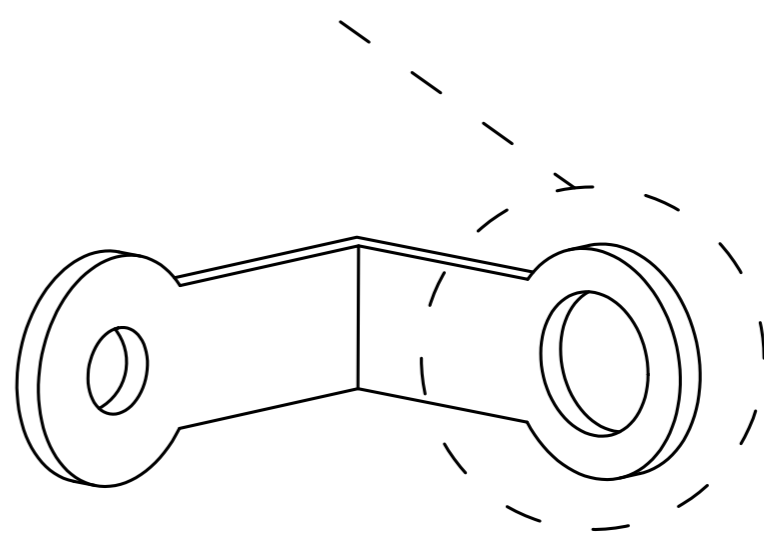
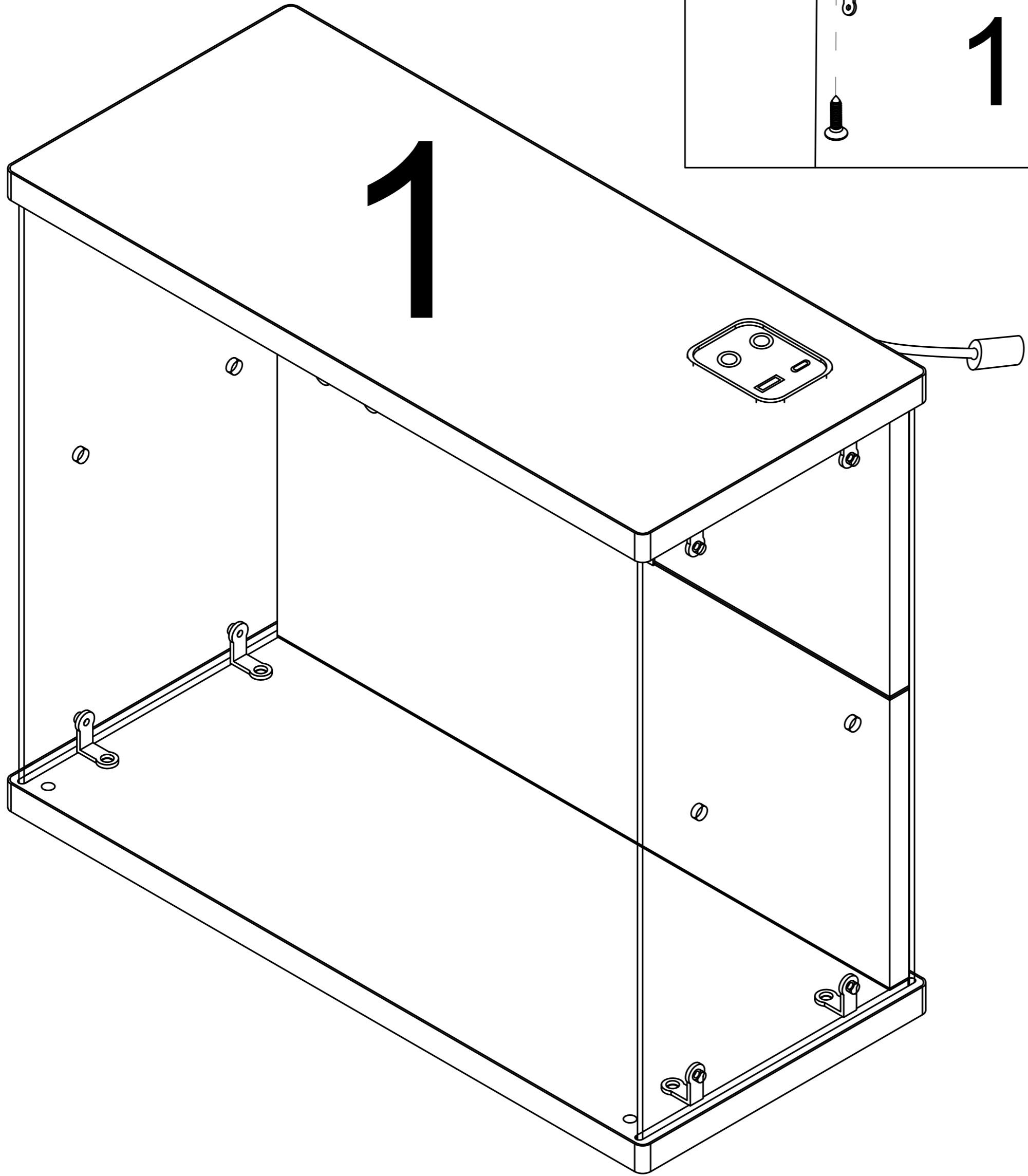
E



x4

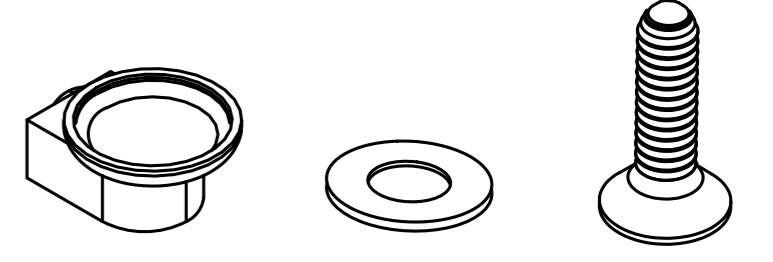


Install this hole

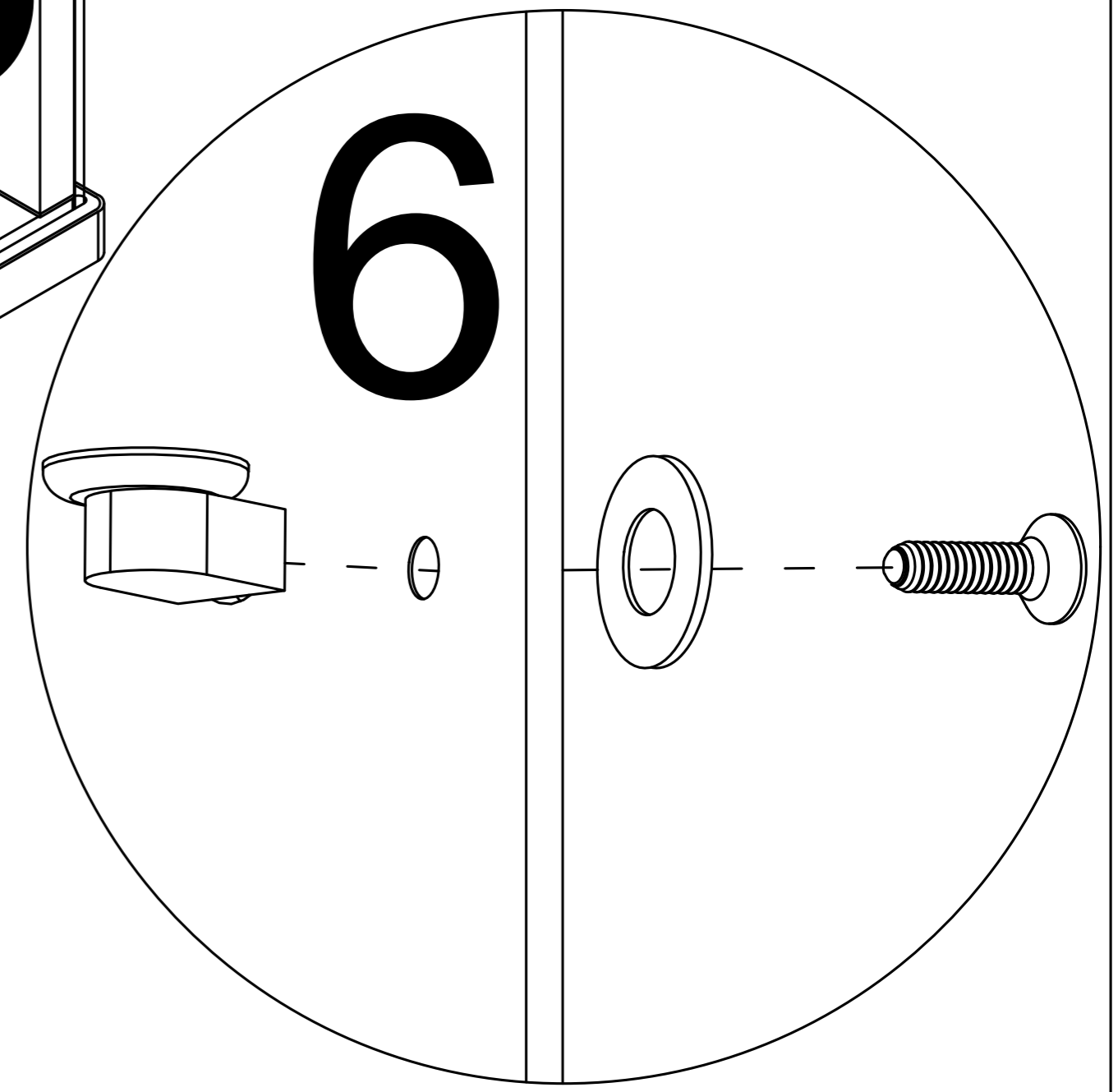
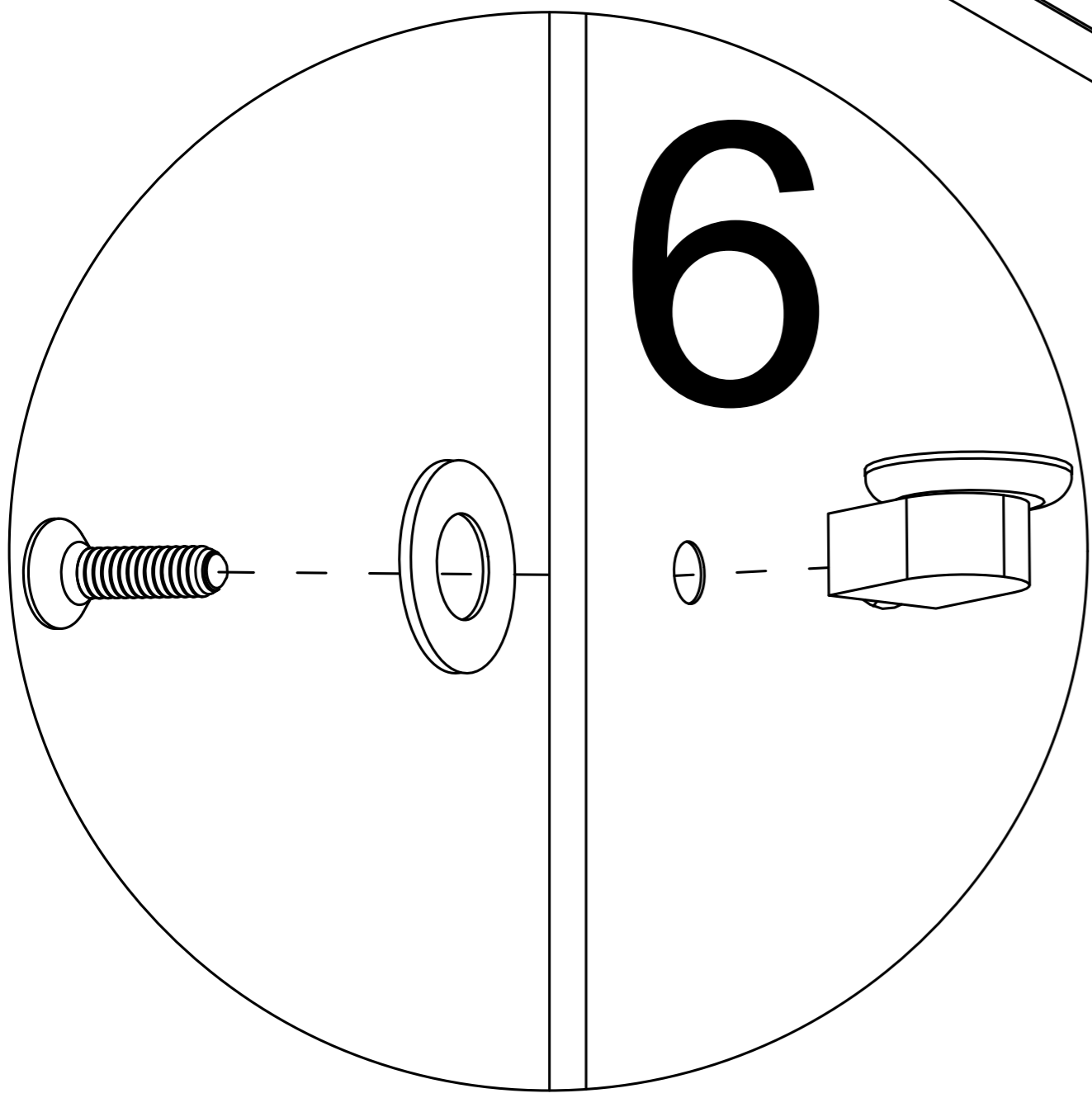
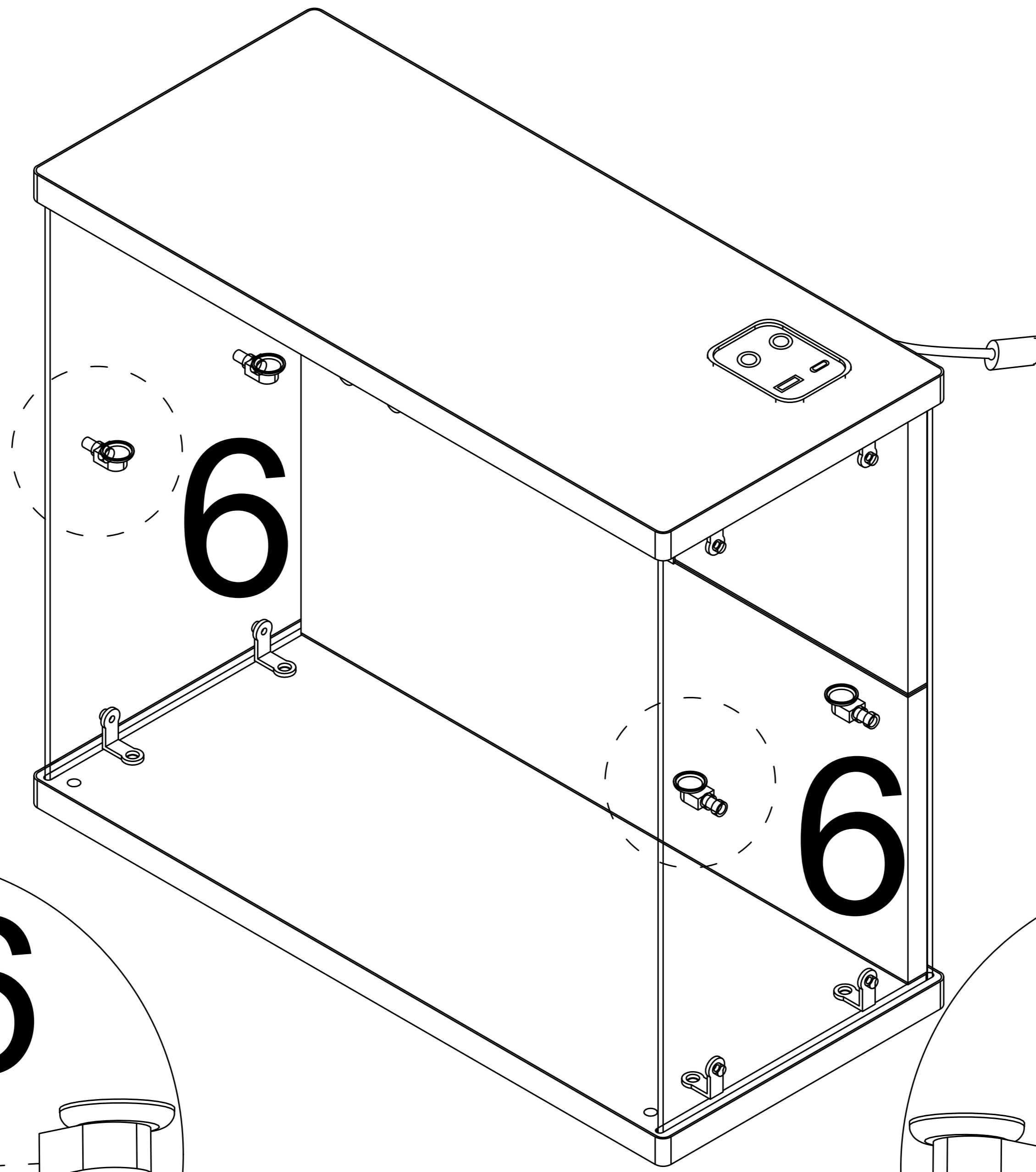


Step 13

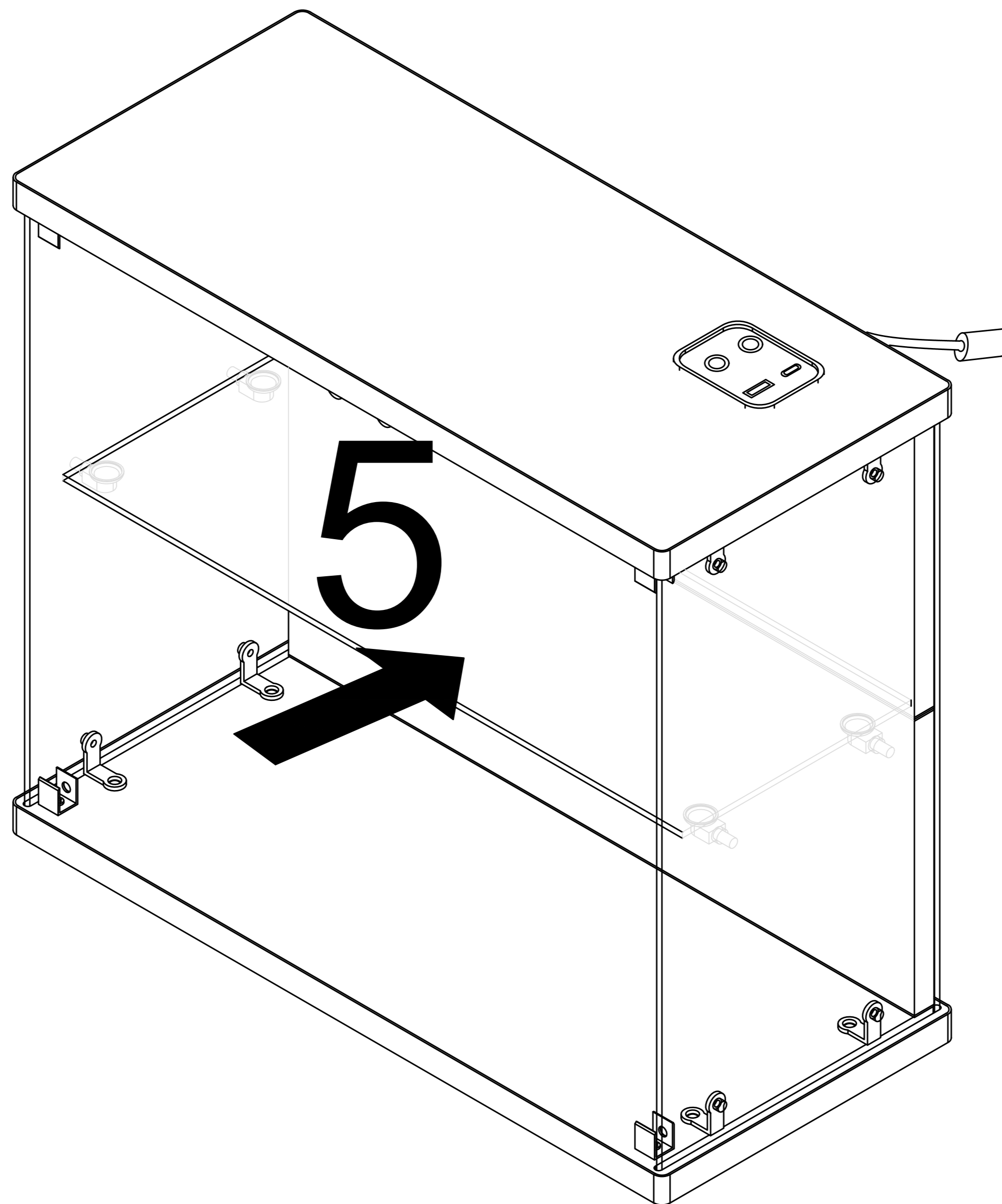
F



x4

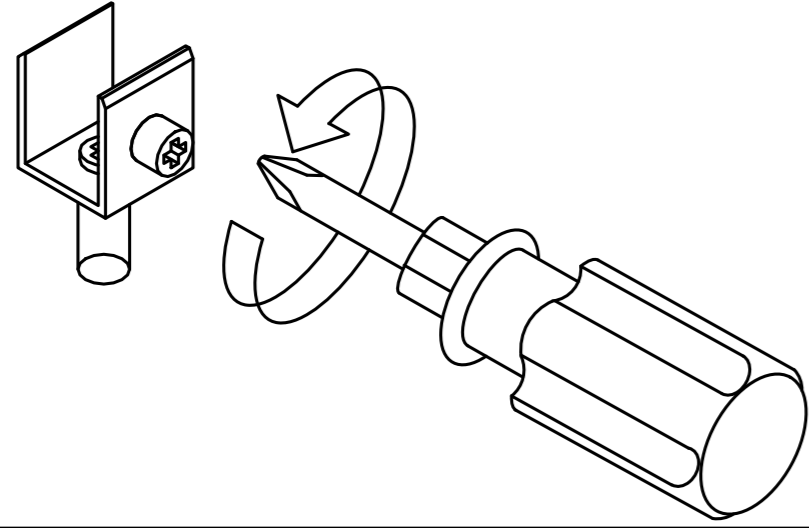


Step 14

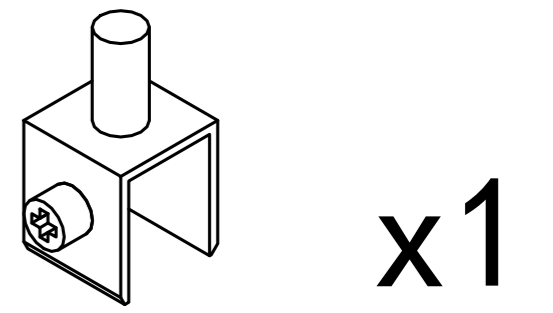
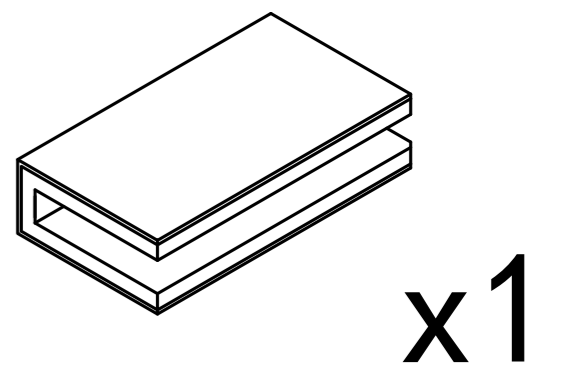


## Step 15

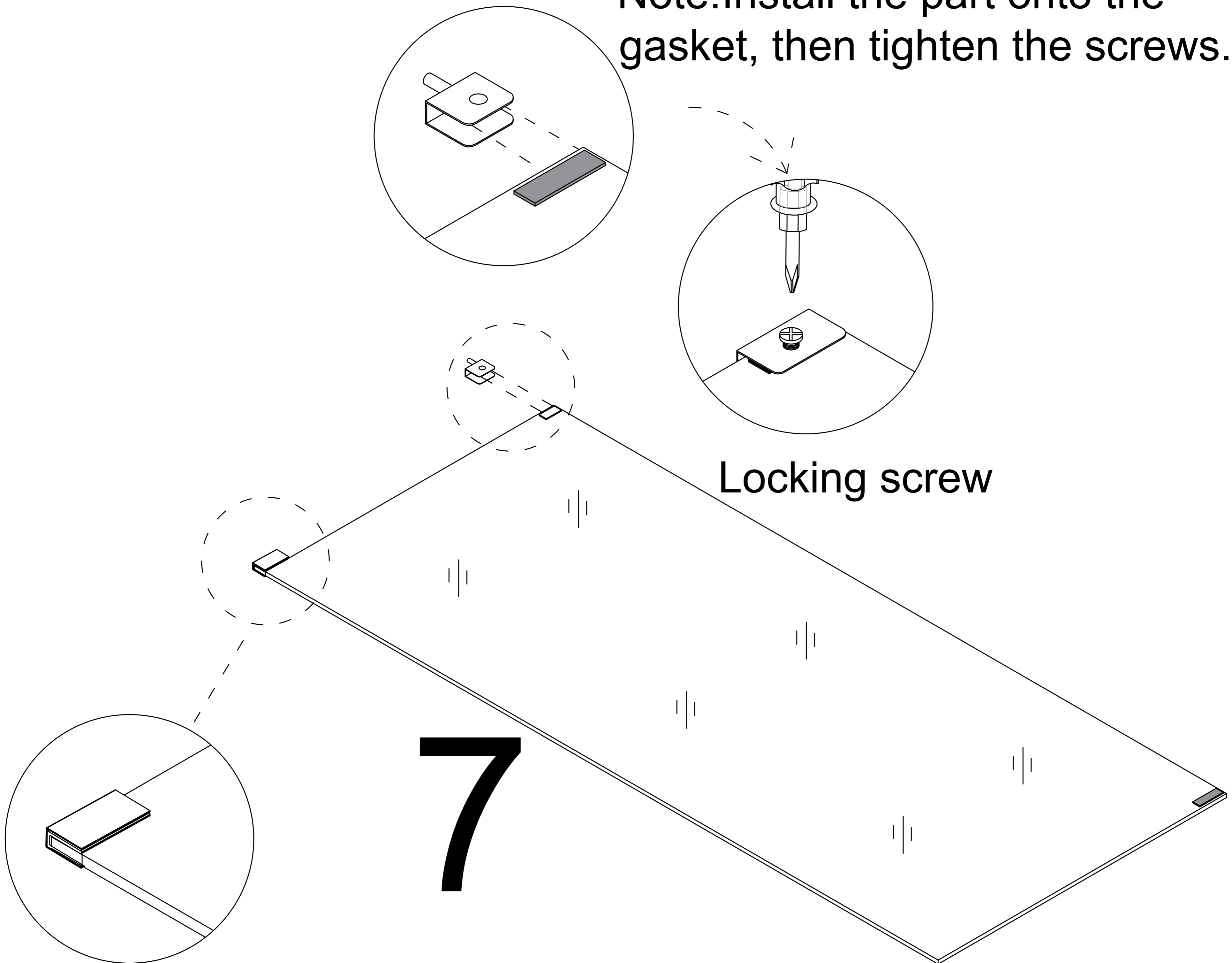
First, completely unscrew the screws on the parts



G



Note: Install the part onto the gasket, then tighten the screws.

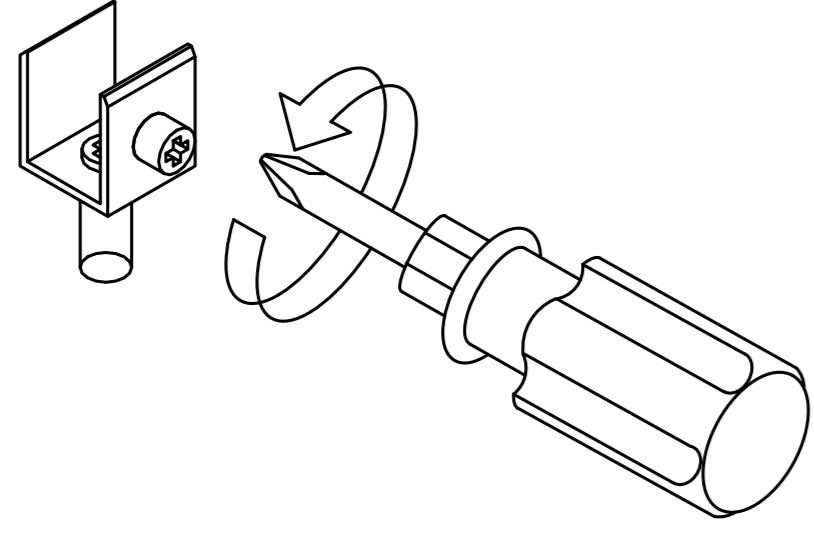


Pay attention to the direction of the door hinge, rotate the screws to compress the black gasket, and do not place it in the opposite direction

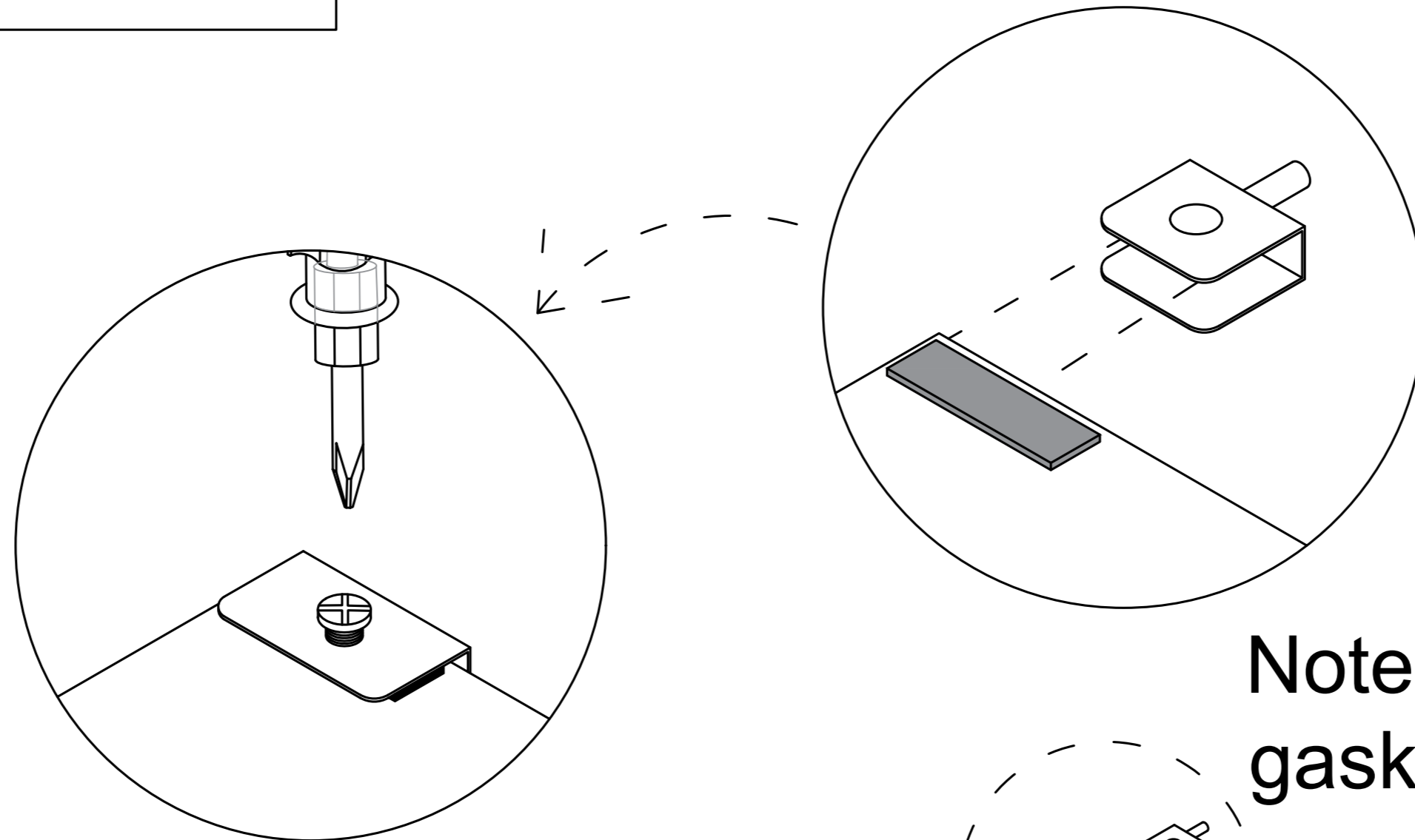
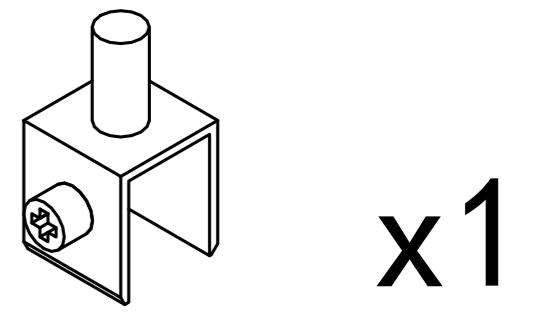
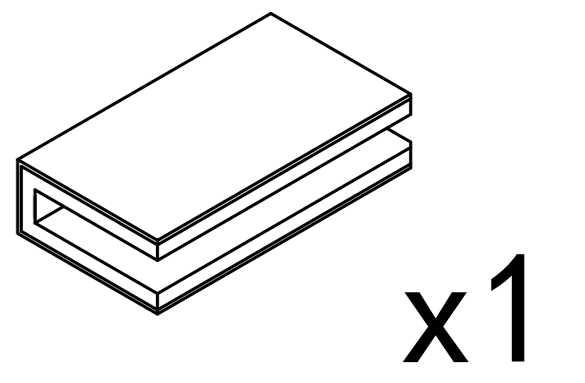
Place the black gasket on the side where the screws are installed

## Step 16

First, completely unscrew the screws on the parts

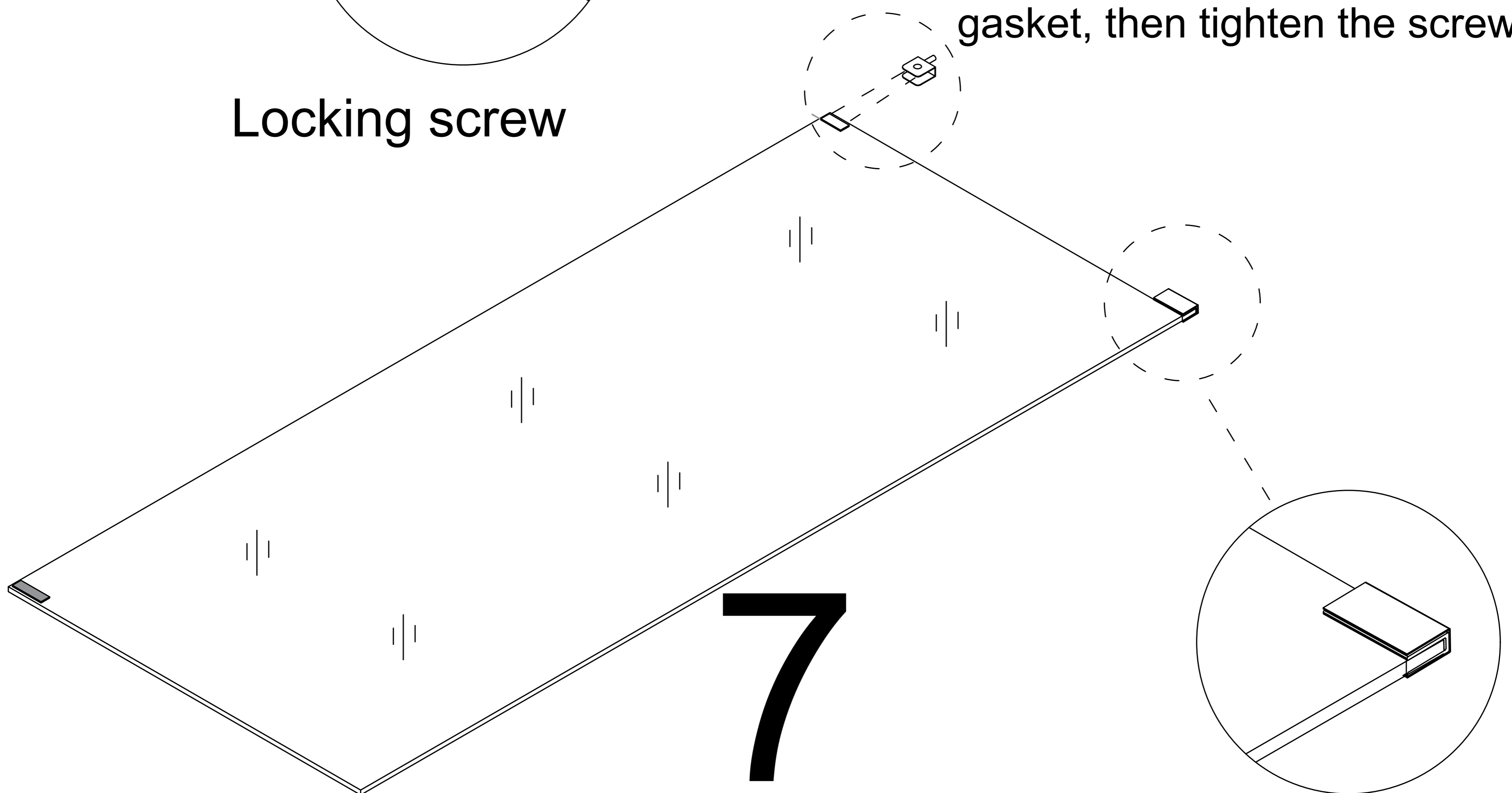


G



Locking screw

Note: Install the part onto the gasket, then tighten the screws.

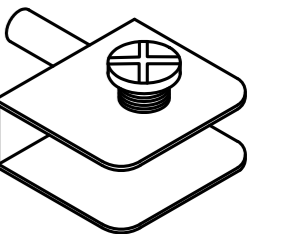


Pay attention to the direction of the door hinge, rotate the screws to compress the black gasket, and do not place it in the opposite direction

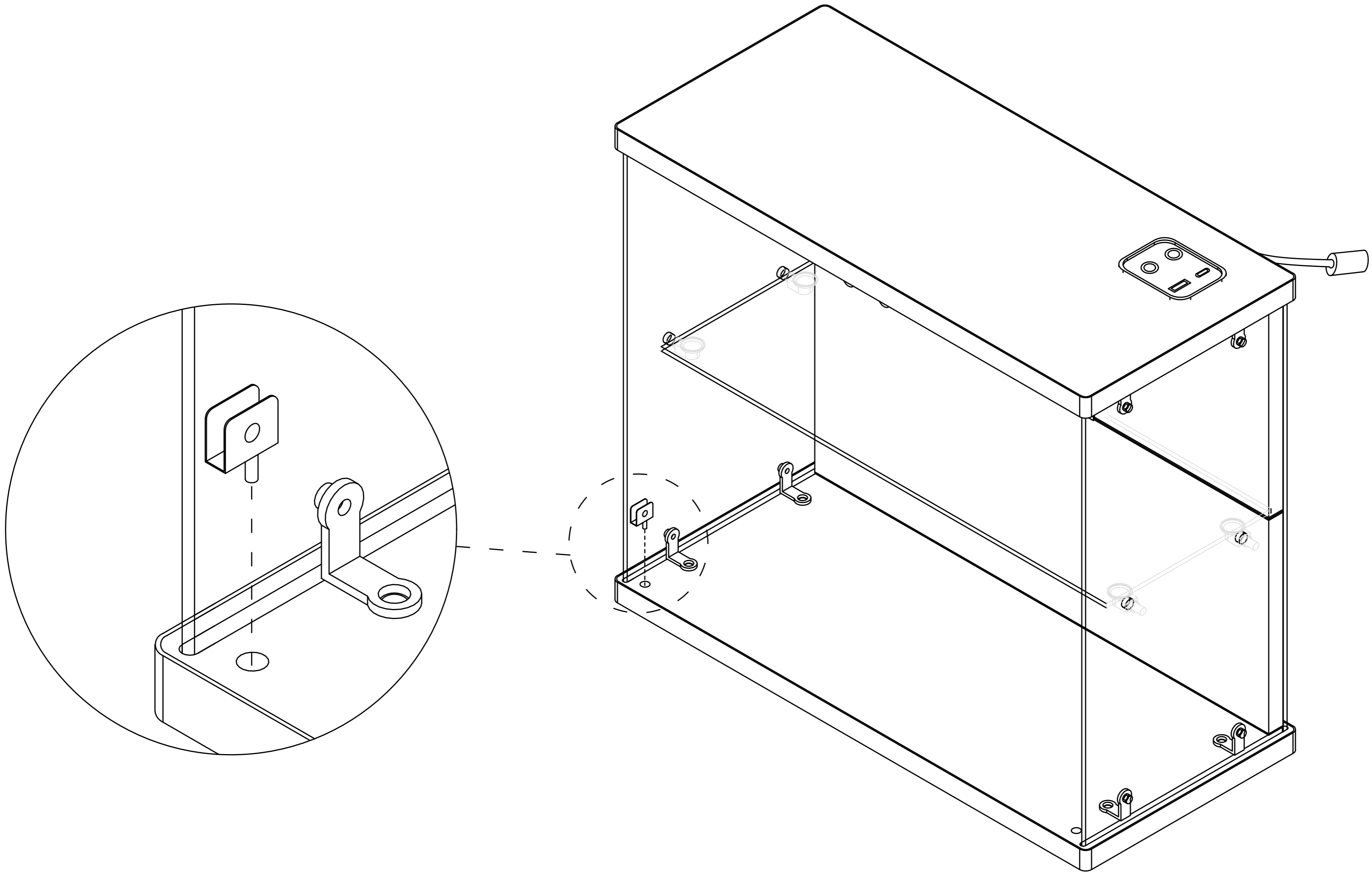
Place the black gasket on the side where the screws are installed

# Step 17

G



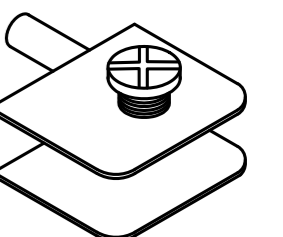
x1



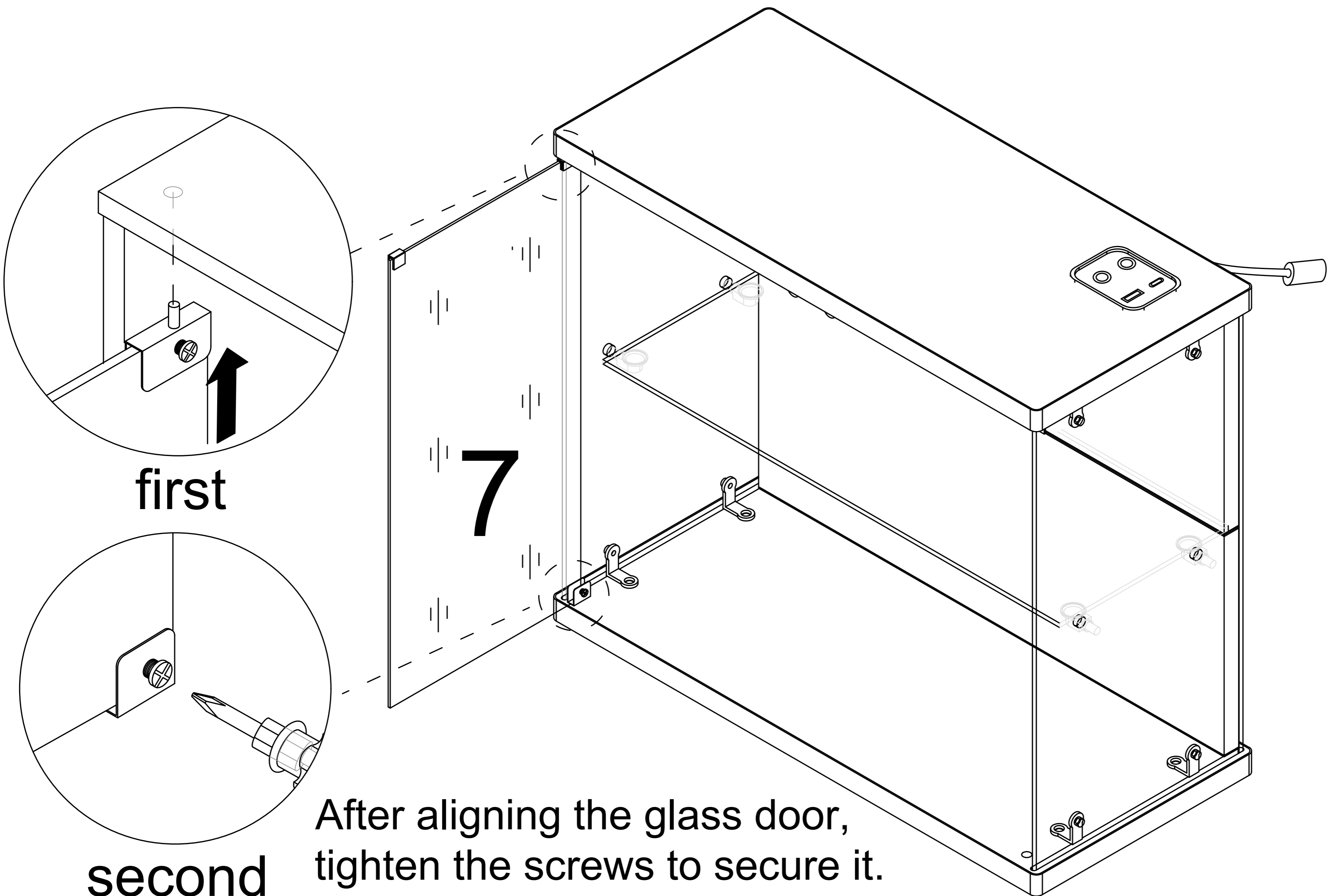
# Step 18

Pay attention to the direction of the door hinge during installation

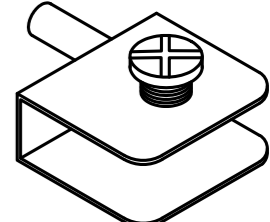
G

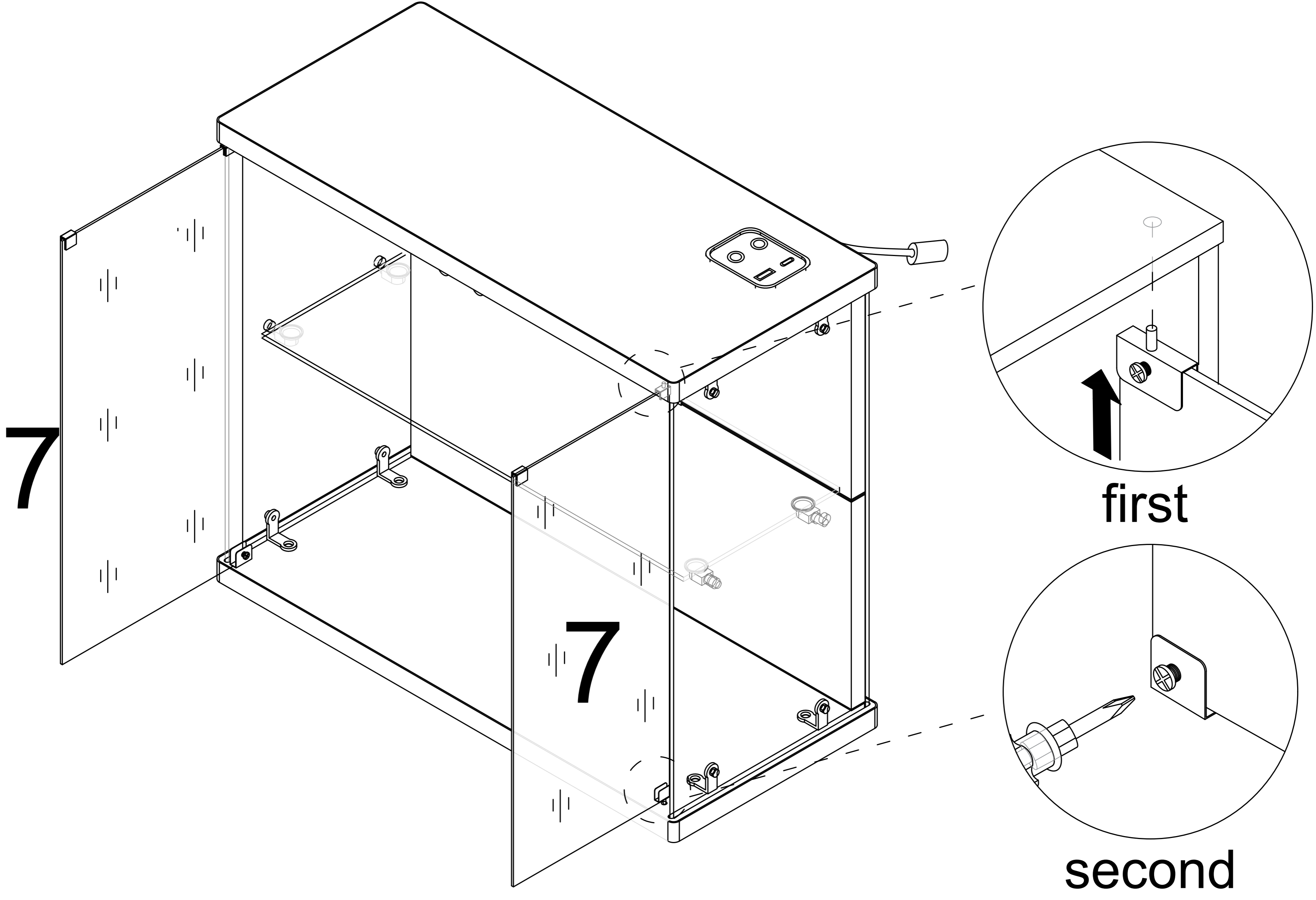


x1



Step 19

G  x2



Step 20

