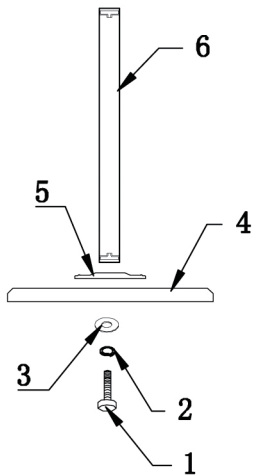
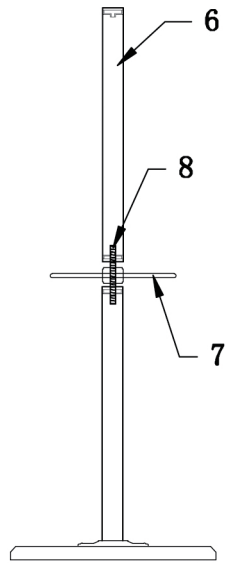


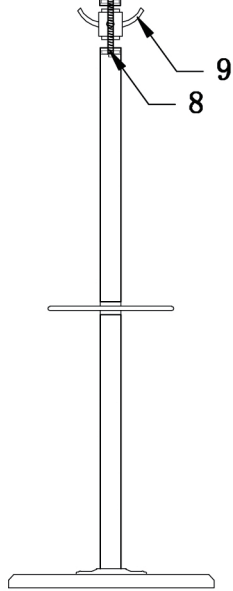
①



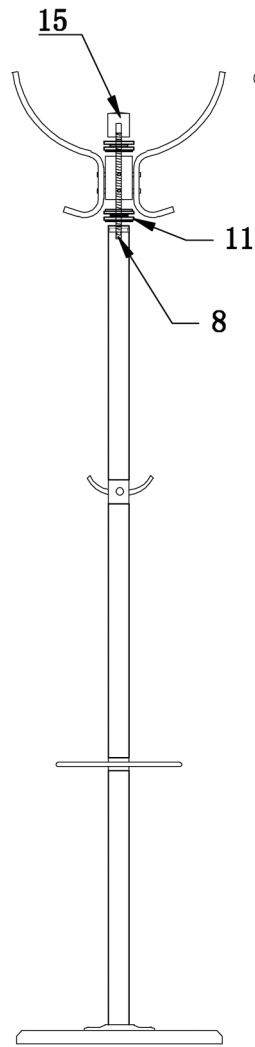
②



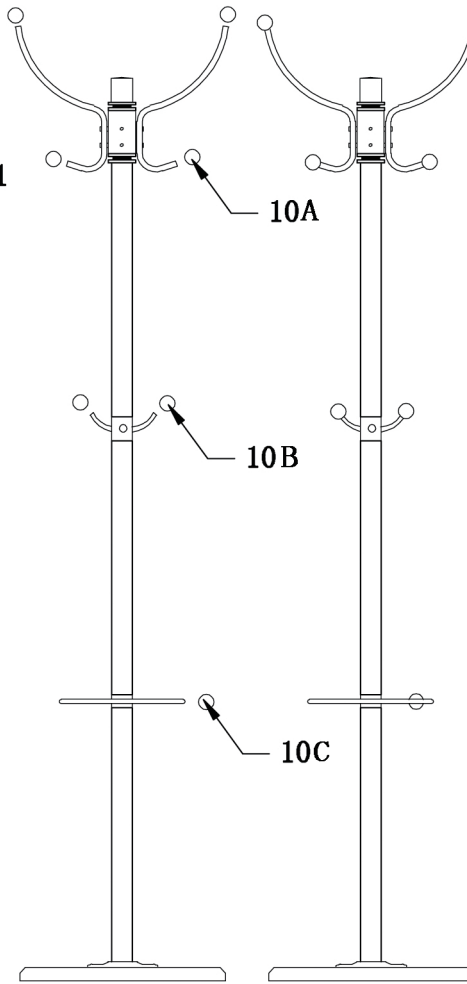
③



④



⑤



⑥

⑦

| NO. | FIGURE | QUANTITY |
|-----|--------|----------|
| 1 | | 1 |
| 2 | | 1 |
| 3 | | 1 |
| 4 | | 1 |
| 5 | | 1 |
| 6 | | 3 |
| 7 | | 1 |
| 8 | | 3 |
| 9 | | 1 |
| 10A | | 12 |
| 10B | | 4 |
| 10C | | 1 |
| 11 | | 1 |
| 12 | | 12 |
| 13 | | 12 |
| 14 | | 6 |
| 15 | | 1 |
| 16 | | 1 |