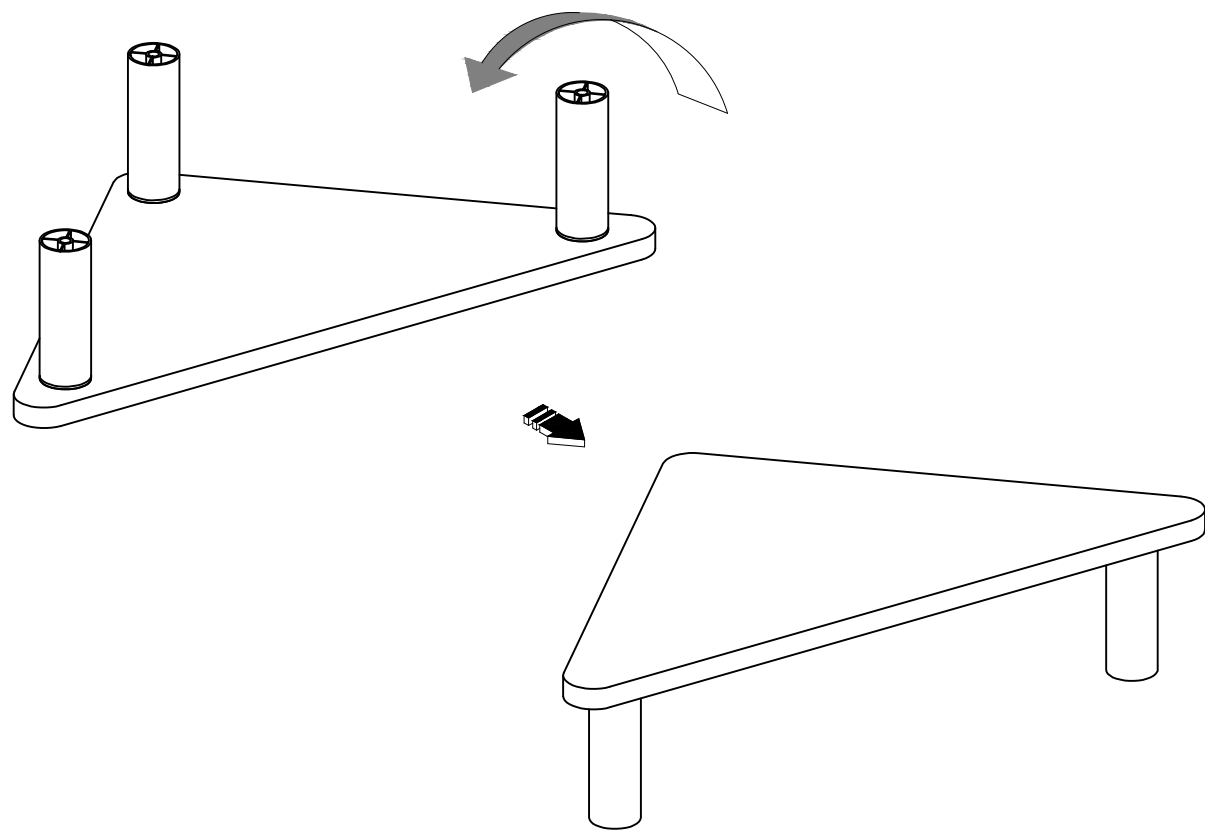
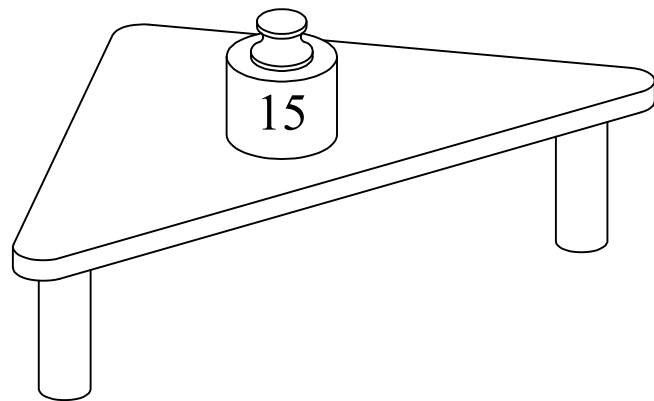


STEP 1

TURN 180°



Recommended Maximum Weight



*Unit in Pound(lbs.)

Assembly Instruction

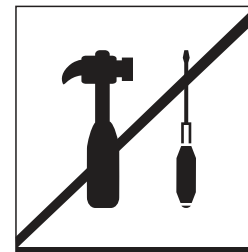
Corner Monitor Riser Stand

00:05

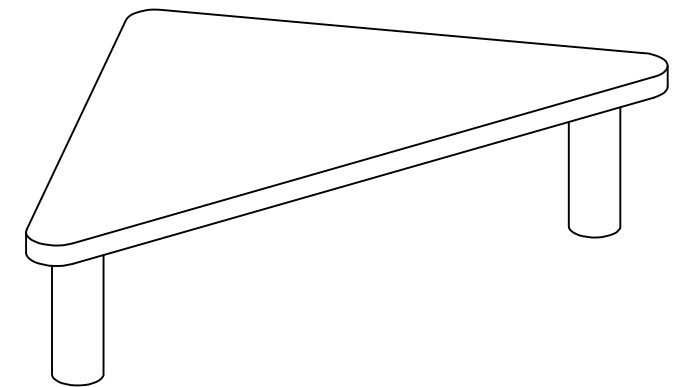
Approx. 5 minutes



Recomm. 1 Person



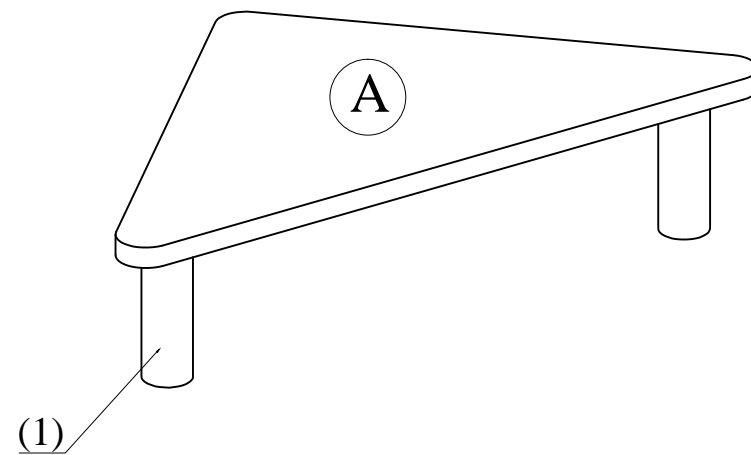
No Tools Required



HARDWARE & PARTS LIST

NO	HARDWARE LIST	QTY
1	LONG LEG	3pcs

NO	PARTS LIST	QTY
A	TOP PANEL	1pc



USEFUL HINTS BEFORE YOU START:

1. Read each step carefully before starting.
2. It is important that each step is performed in correct order to avoid difficulties.
3. Identify, sort and count the parts before assembly.
4. Assemble your furniture on packaging cardboard to prevent scratch or damage.
5. Clean the product with mild cleanser using soft damped cloth. Do not use harsh or abrasive cleanser.
6. Using incompatible hardware might cause damage to product.

ASSEMBLY INSTRUCTIONS

BEFORE YOU BEGIN, PLEASE READ ASSEMBLY INSTRUCTION CAREFULLY,
FOLLOW THEM STEP BY STEP.

STEP 1

