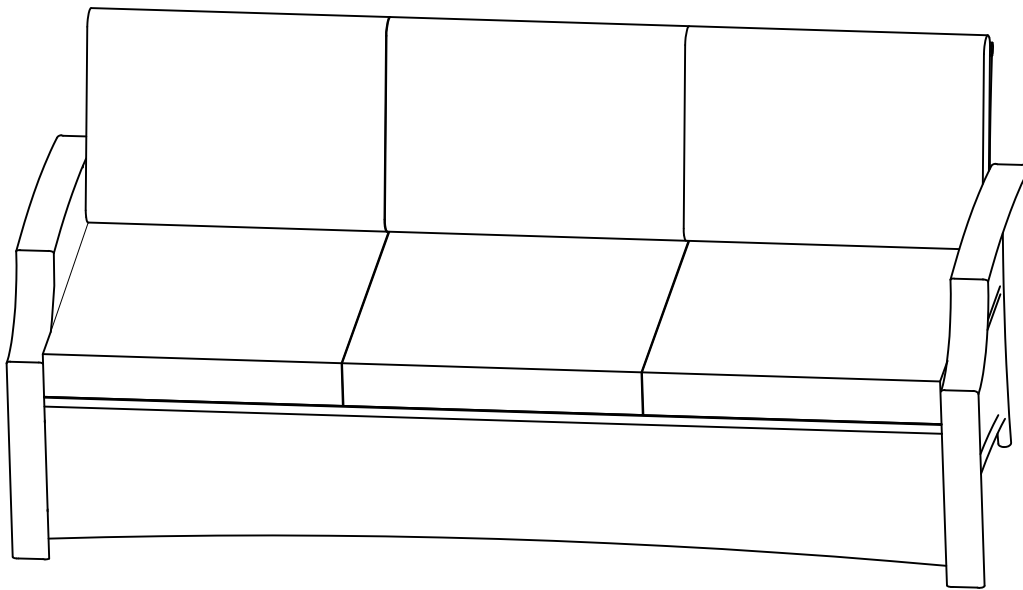


# 3-SEAT SOFA ASSEMBLY INSTRUCTION

GGOT4011-D



# ATTENTION

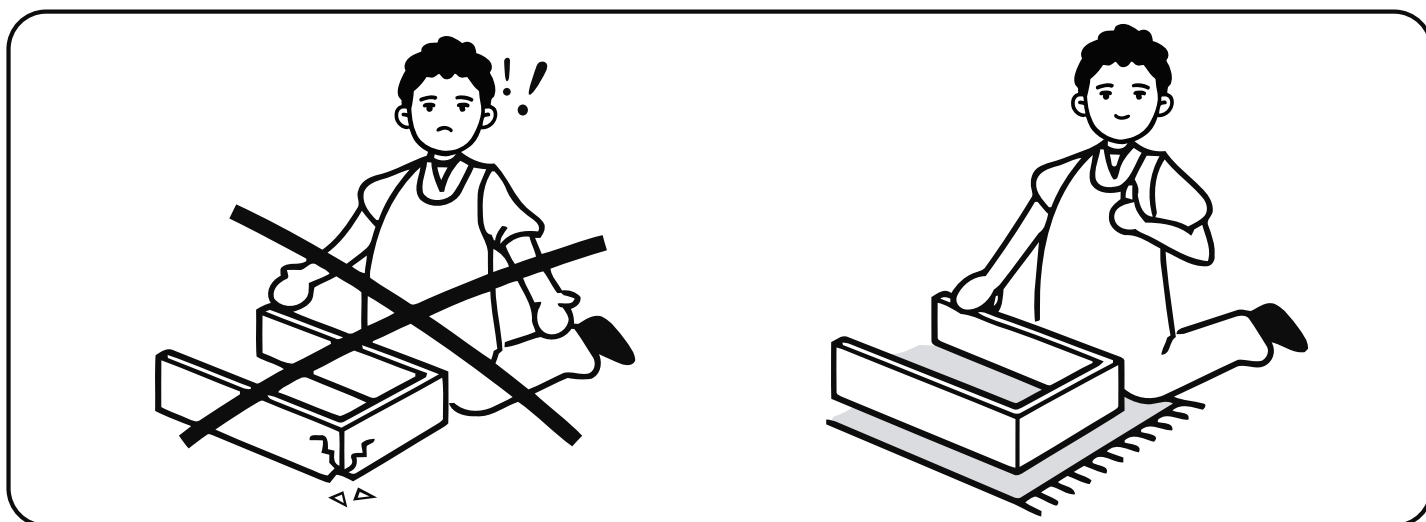
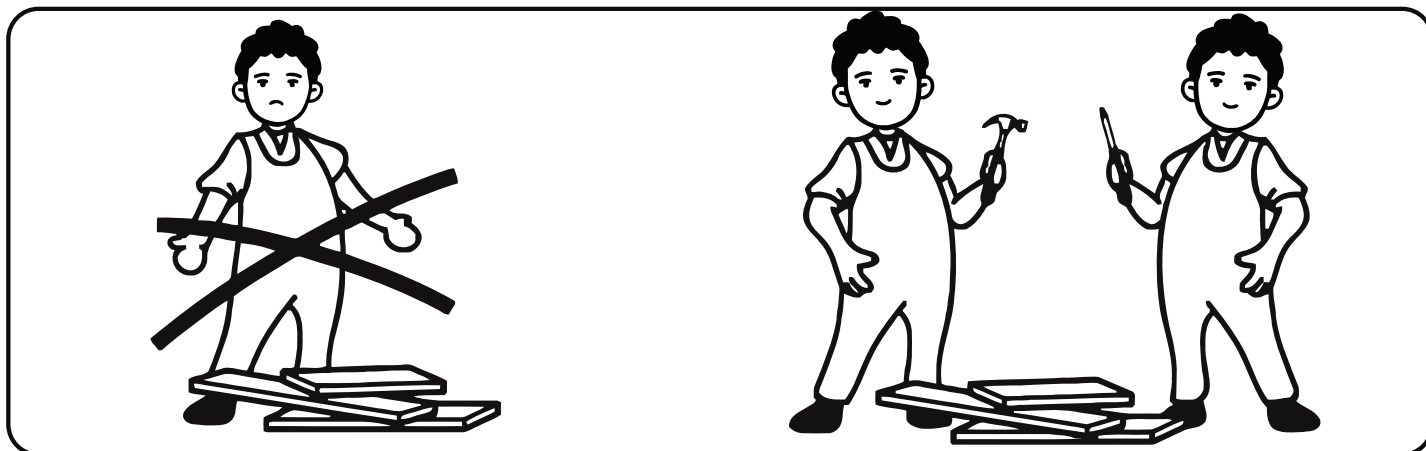
## **Thanks for choosing our product.**

- 1. Please check the part list carefully to make sure you've received all the parts.**
- 2. If there are any missing parts, please contact us with the number and quantity. We will send them to you ASAP.**
- 3. If there are any damaged parts, please contact us with clear pictures or video. We'll offer you the best solution after confirming it.**

### **NOTE**

- 1. If one or some screws are fully tightened during assembly, the others screws may not be aligned with screw holes. 50% tighten before fastening all screws. Allen wrench is recommended instead of an electric drill.**
- 2. If some screws are not aligned with holes during assembly, please loosen all the other screws to 50% and continue the assembly process.**
- 3. If the items is not stable, please loosen all the screws, adjust it on a flat ground and tighten all the screws.**
- 4. Please don't put the furniture outside without any sunshades in rainy, snowy days. Waterproof cover is recommended for keeping it last several years.**
- 5. The set is manually woven by hands. The PE rattan weave of each set is different. Each model is unique.**

# Let Us Help You

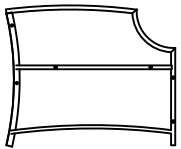
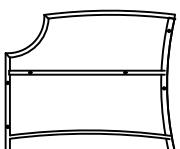


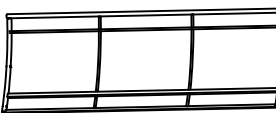
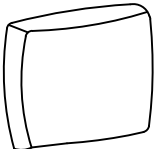
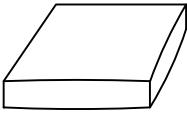





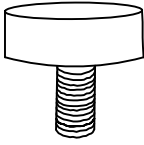

# Let Us Help You

- If you have any further questions, please feel free to contact us via email at [info@homrest.com](mailto:info@homrest.com) or through our official website. We will respond as soon as possible.
- Before beginning installation, please ensure you have all the necessary hardware, the serial numbers are correctly labeled and correspond to the list, and that the quantities are accurate.
- Enjoy your new purchase!

# Assembly Instruction

## Parts list

<p><b>A</b></p>  <p>×1PC</p>	<p><b>B</b></p>  <p>×1PC</p>	<p><b>C3</b></p>  <p>×1PC</p>	<p><b>D3</b></p>  <p>×1PC</p>	<p><b>E3</b></p>  <p>×1PC</p>
<p><b>Q</b></p>  <p>×3PCS</p>	<p><b>R</b></p>  <p>×3PCS</p>			

<p><b>a</b>×14PCS</p>  <p>M6x35mm</p>	<p><b>b</b>×4PCS</p>  <p>M6x40mm</p>	<p><b>c</b>×18PCS</p>  <p>M6x14</p>	<p><b>y</b>×2PCS</p> 	<p><b>d</b>×1PC</p>  <p>M6</p>	

# Assembly Instruction

## STEP 1

Connect the front plate to seat

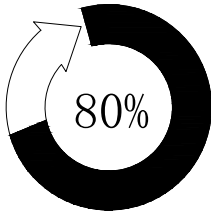
C3 ×1

D3 ×1

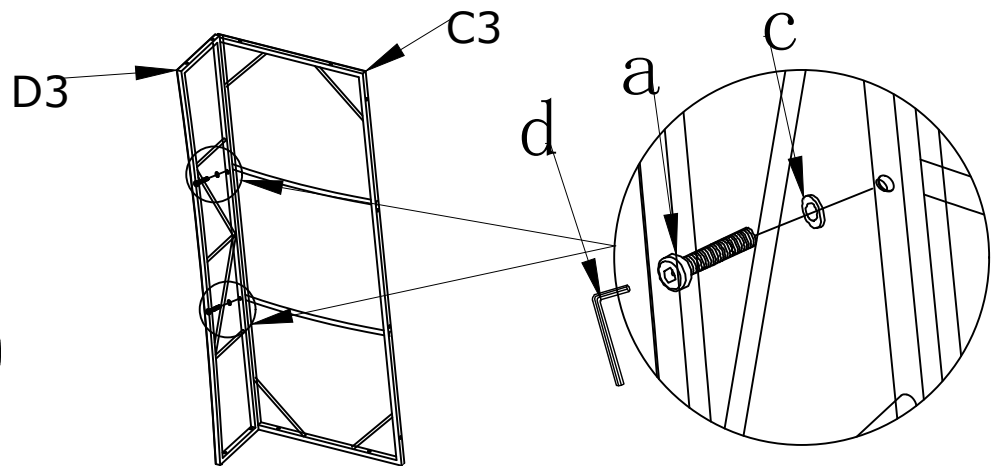
a ×2

c ×2

d ×1



Tighten the screws to 80% tightness



## STEP 2

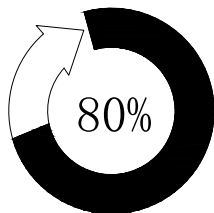
Connect right arm to seat

B ×1

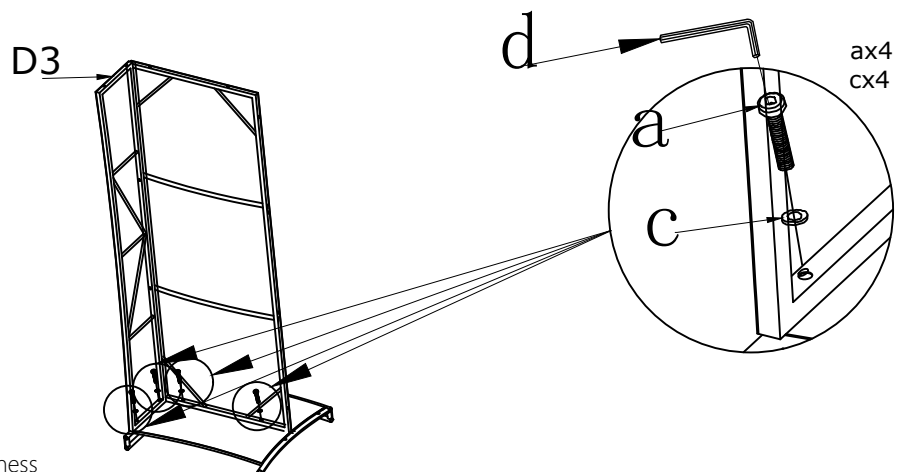
a ×4

c ×4

d ×1



Tighten the screws to 80% tightness



## STEP 3

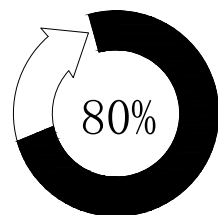
Connect backrest to arm and seat

E3 ×1

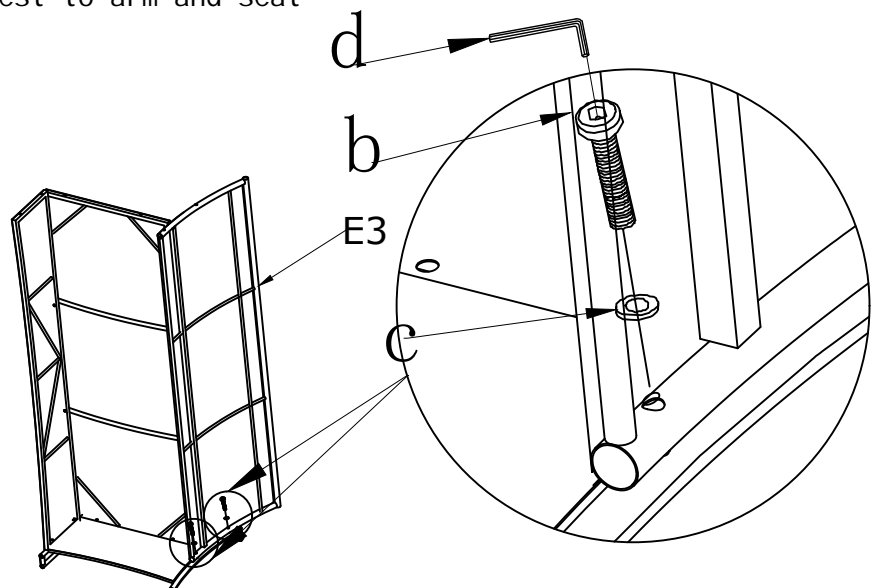
b ×2

c ×2

d ×1



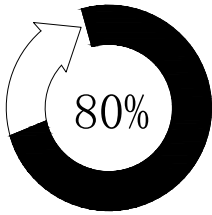
Tighten the screws to 80% tightness



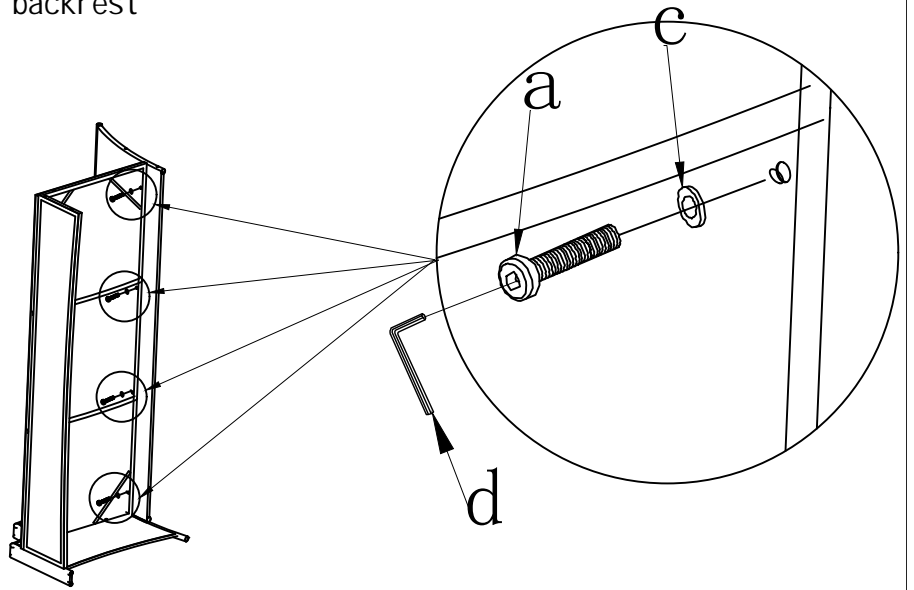
# Assembly Instruction

## STEP 4 Fix seat and backrest

- a ×4
- c ×4
- d ×1

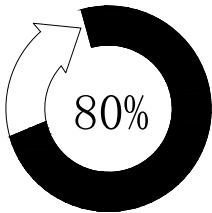


Tighten the screws to 80% tightness

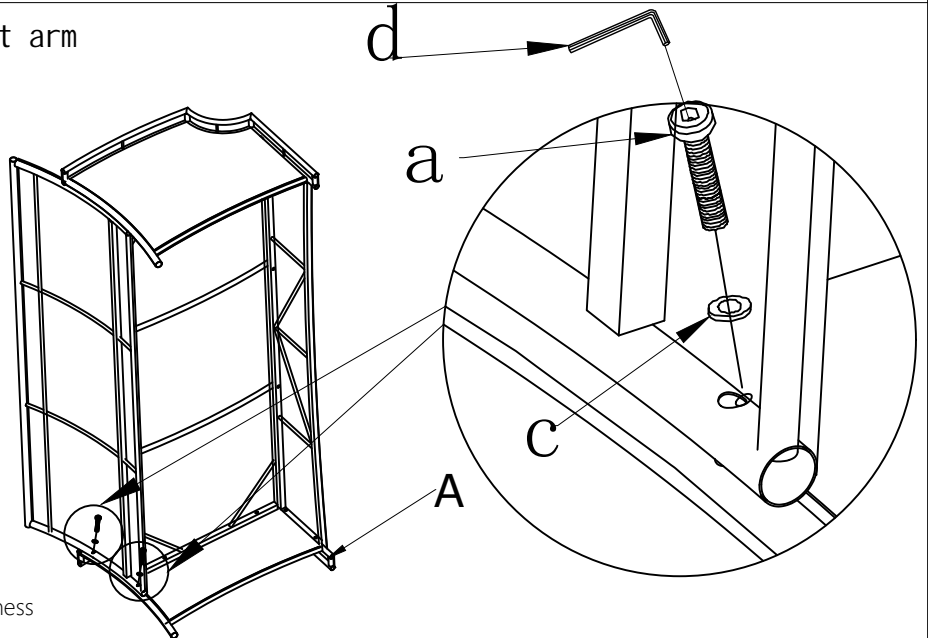


## STEP 5 Connect left arm

- A ×1
- b ×2
- c ×2
- d ×1

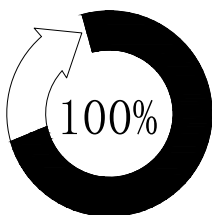


Tighten the screws to 80% tightness

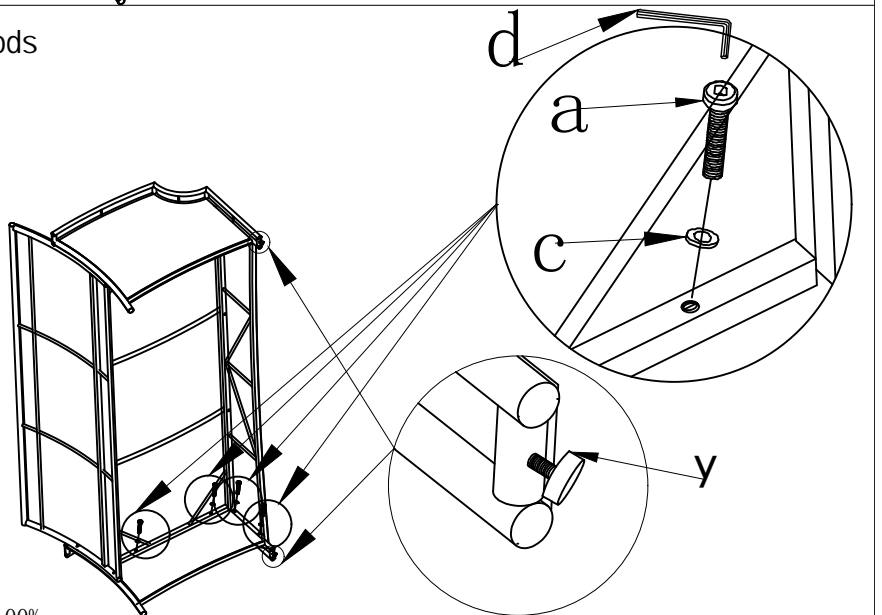


## STEP 6 put on foot pods

- a ×4
- c ×4
- d ×1
- y ×2



Tighten all previous screws used to 100%



# Assembly Instruction

## STEP 7

Q ×3

R ×3

Place cushion and pillow

