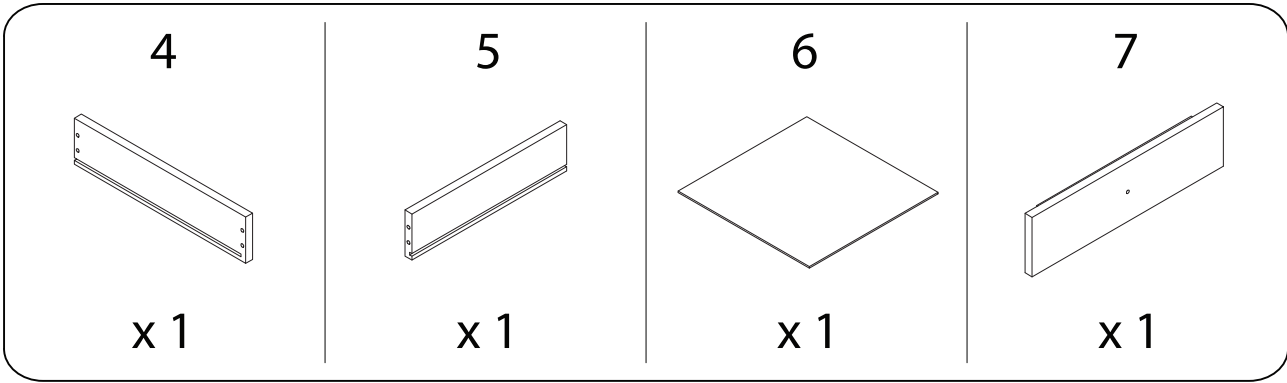
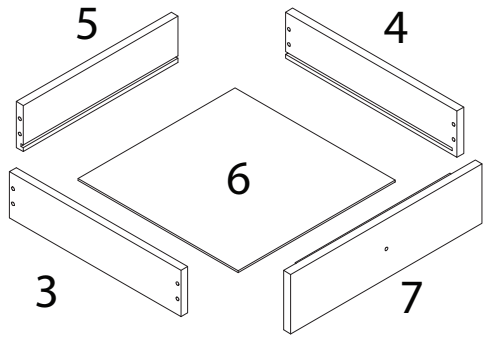
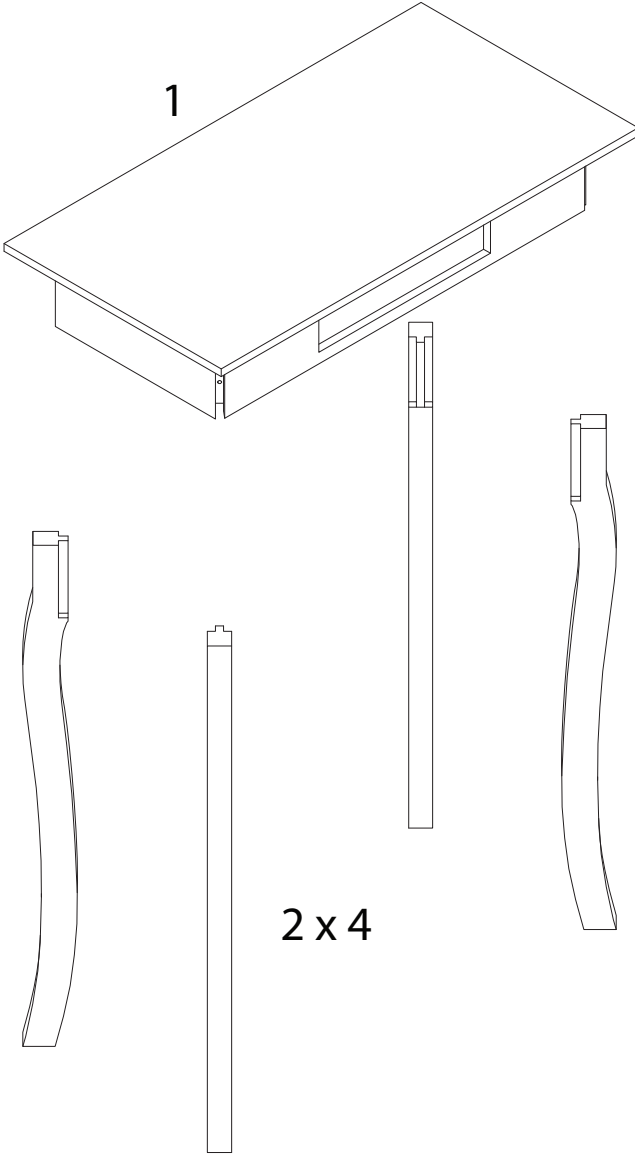
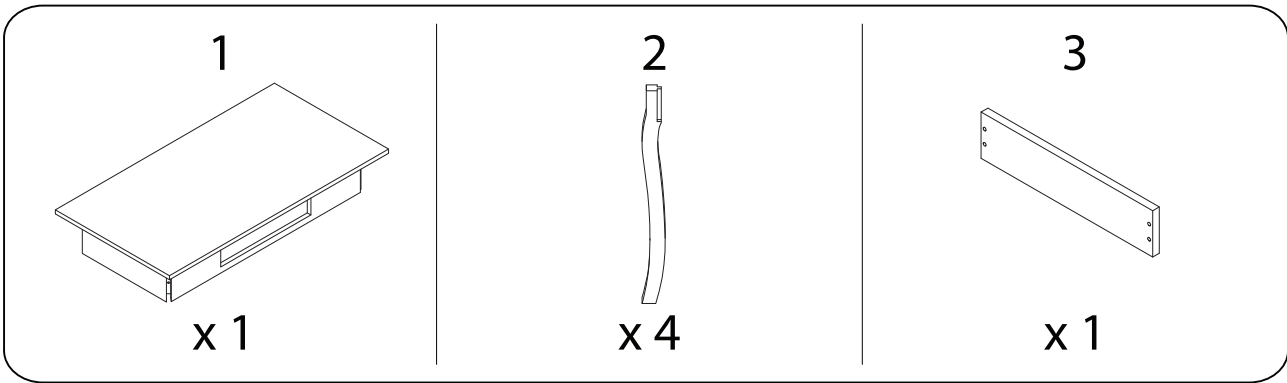


Assembly instructions for step 1/7:

- Tools:** A circle containing a screwdriver and an L-shaped hex key. A power drill is shown with a diagonal line through it, indicating it is not to be used.
- Warning:** A triangle with an exclamation mark.
- Time:** A clock icon with the text "30'" below it, indicating a 30-minute assembly time.
- Person:** A stick figure icon with the number "1" below it, indicating that one person is required for assembly.
- Diagram:** A circle containing a 3D perspective drawing of a rectangular block being placed on a textured surface. A diagonal line with an arrow points to the block, indicating the placement direction.

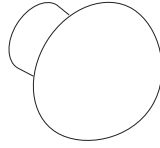


A



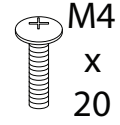
x 8

B



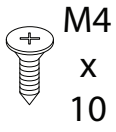
x 1

C



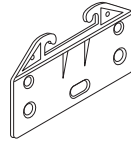
x 1

D



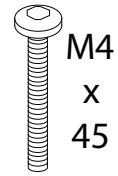
x 2

E



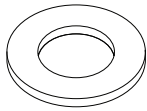
x 1

F



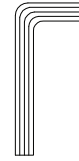
x 8

G



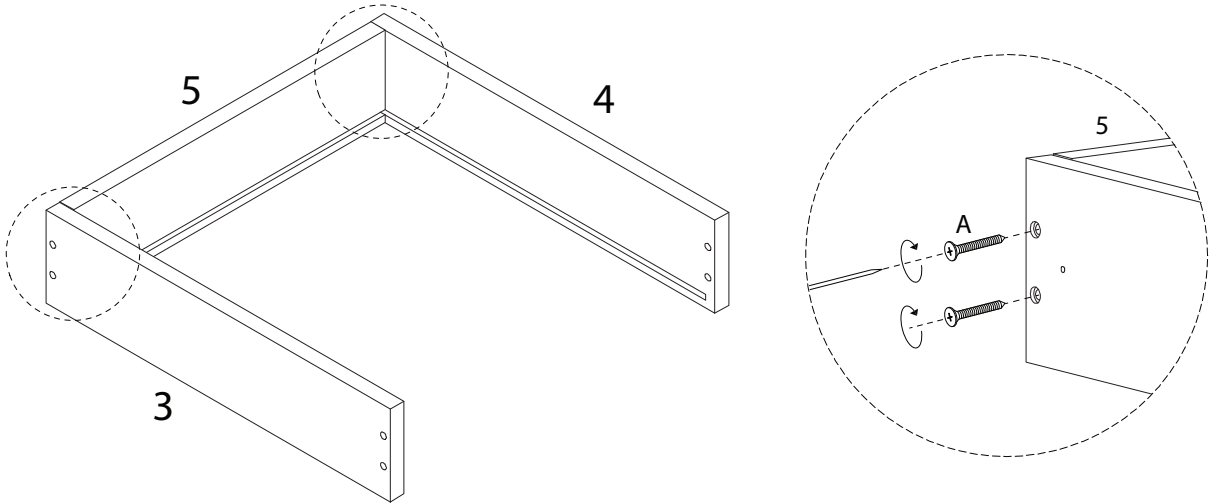
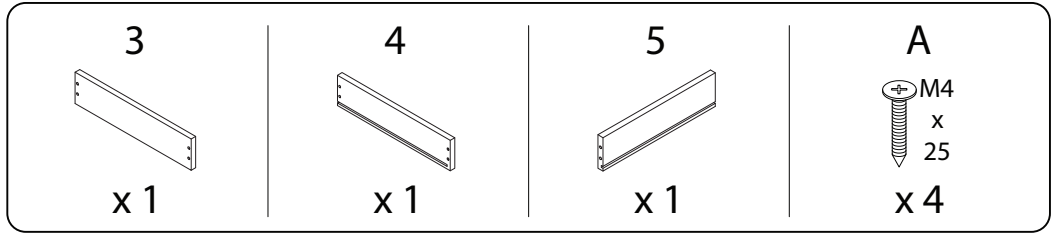
x 8

H

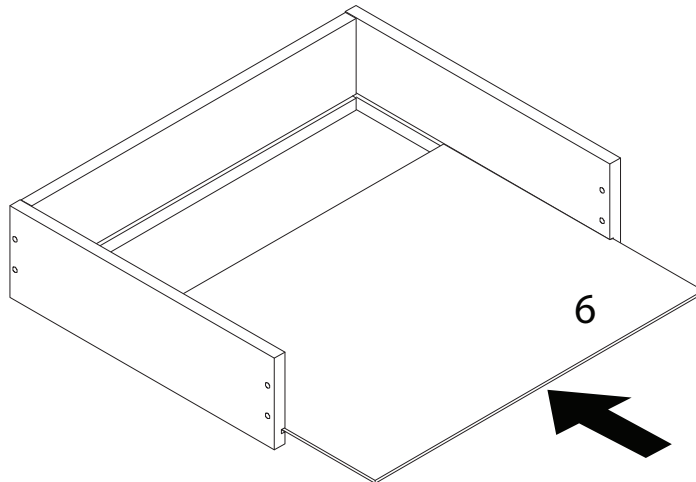
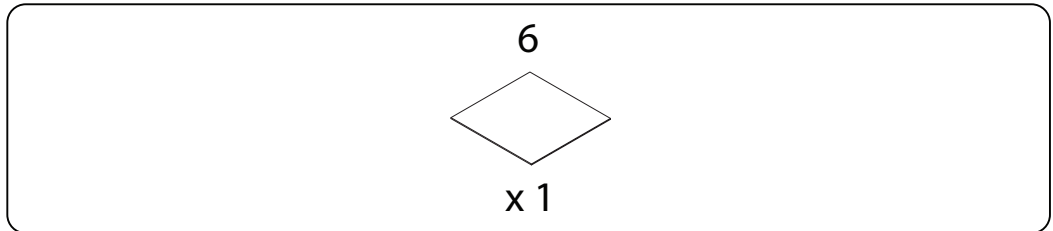


x 1

1

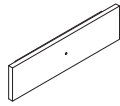


2



3

7

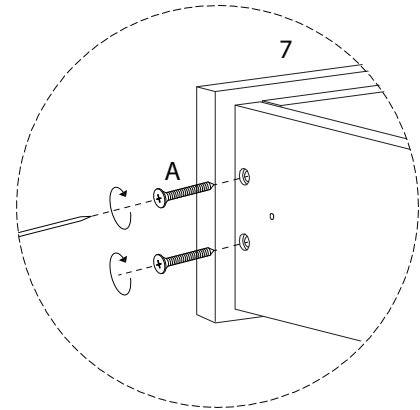
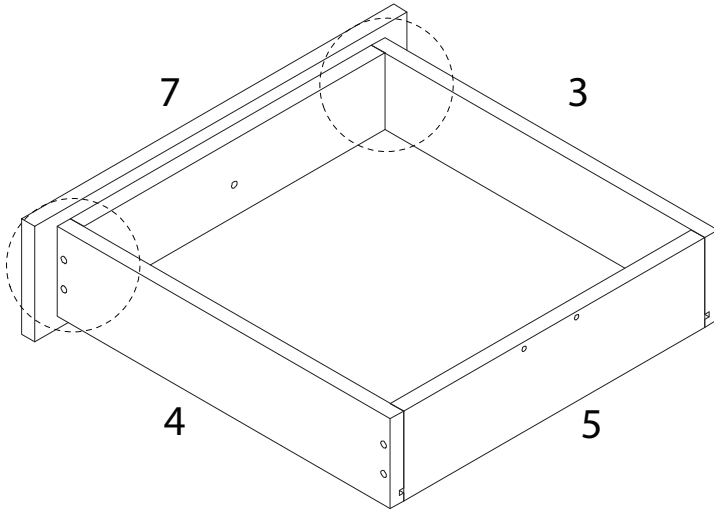


x 1

A



x 4



4

B

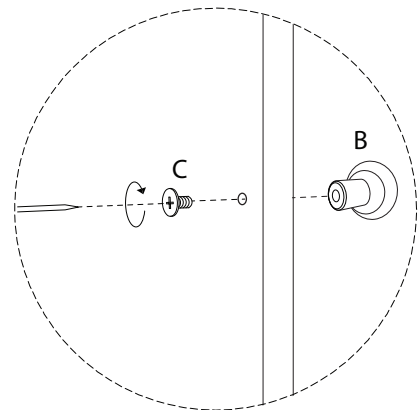
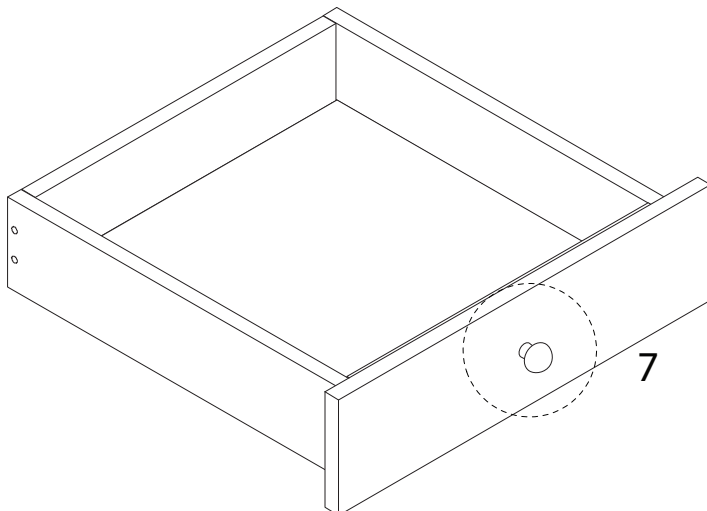


x 1

C



x 1



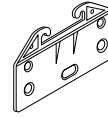
5

D

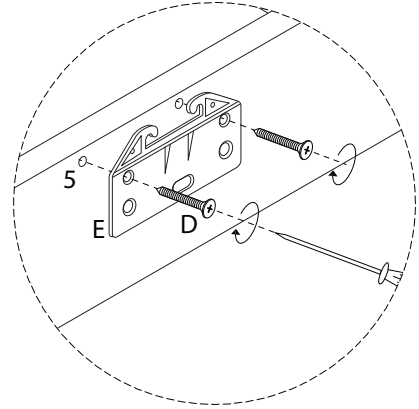
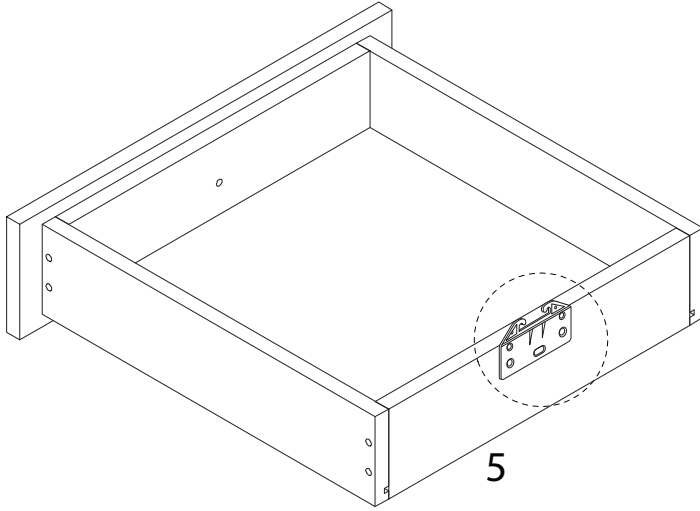


x 2

E

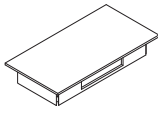


x 1



6

1



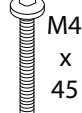
x 1

2



x 4

F



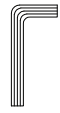
x 8

G

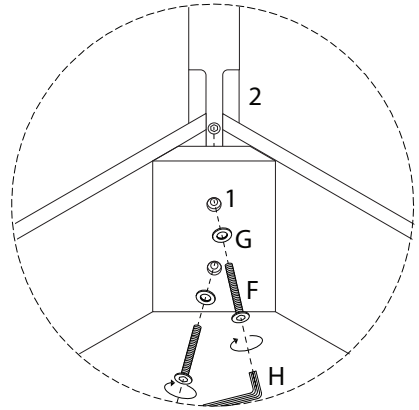
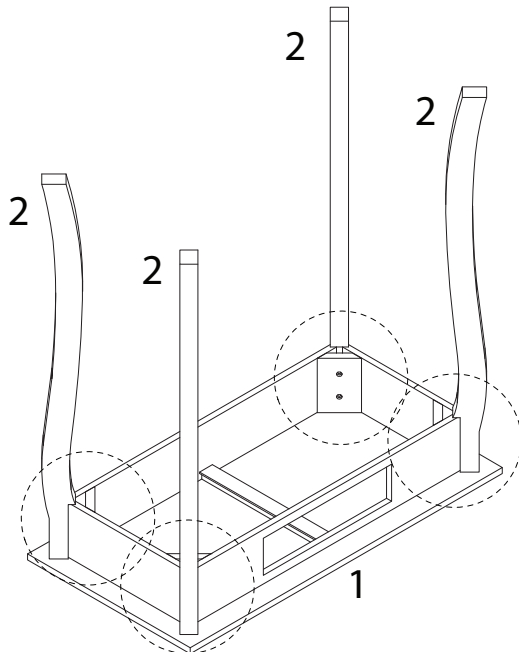


x 8

H



x 1



7

